



LEGEND

	AMPERAGE METER
	AMPERAGE METER SWITCH
	CIRCUIT BREAKER
	CAPACITOR
	CURRENT TRANSFORMER
	DISCONNECT
	FIRE ALARM CABINET
	FUSE
	STAND-BY GENERATOR
	JUNCTION BOX
	KILOWATT-HOUR METER
	ELECTRICAL PANEL
	POTENTIAL TRANSFORMER
	SPLITTER
	TRANSFORMER 600-120/208V UNLESS OTHERWISE NOTED
	TRANSFER SWITCH ATS=AUTOMATIC; MTS=MANUEL; DTS=DOUBLE THROW
	VOLTAGE METER
	VOLTAGE METER SWITCH
	RED ITEMS ARE FED BY EMERGENCY POWER
	BLACK ITEMS ARE FED BY NORMAL POWER
	LOW VOLTAGE METERING IS REPRESENTED IN BLACK

NOTE: ANY ADDITIONAL SYMBOLS TO BE BASED ON ANSI Y32.2-1975 AND SUBSEQUENT REVISIONS

REVISIONS

revision	description	date	approved for release by	approve par
3	COMPLETE ELECTRICAL UPDATE	DEC./2004		
4	COMPLETE ELECTRICAL UPDATE	JAN./2007		
5	COMPLETE ELECTRICAL UPDATE	OCT./2009		
6	COMPLETE ELECTRICAL UPDATE	OCT./2010		
7	COMPLETE ELECTRICAL UPDATE	JUNE.7/2011	SNC-LAVALIN O&M	
8	COMPLETE ELECTRICAL UPDATE	MAR.1/2012	SNC-LAVALIN O&M	

SCALE N.T.S.

Prepared by the

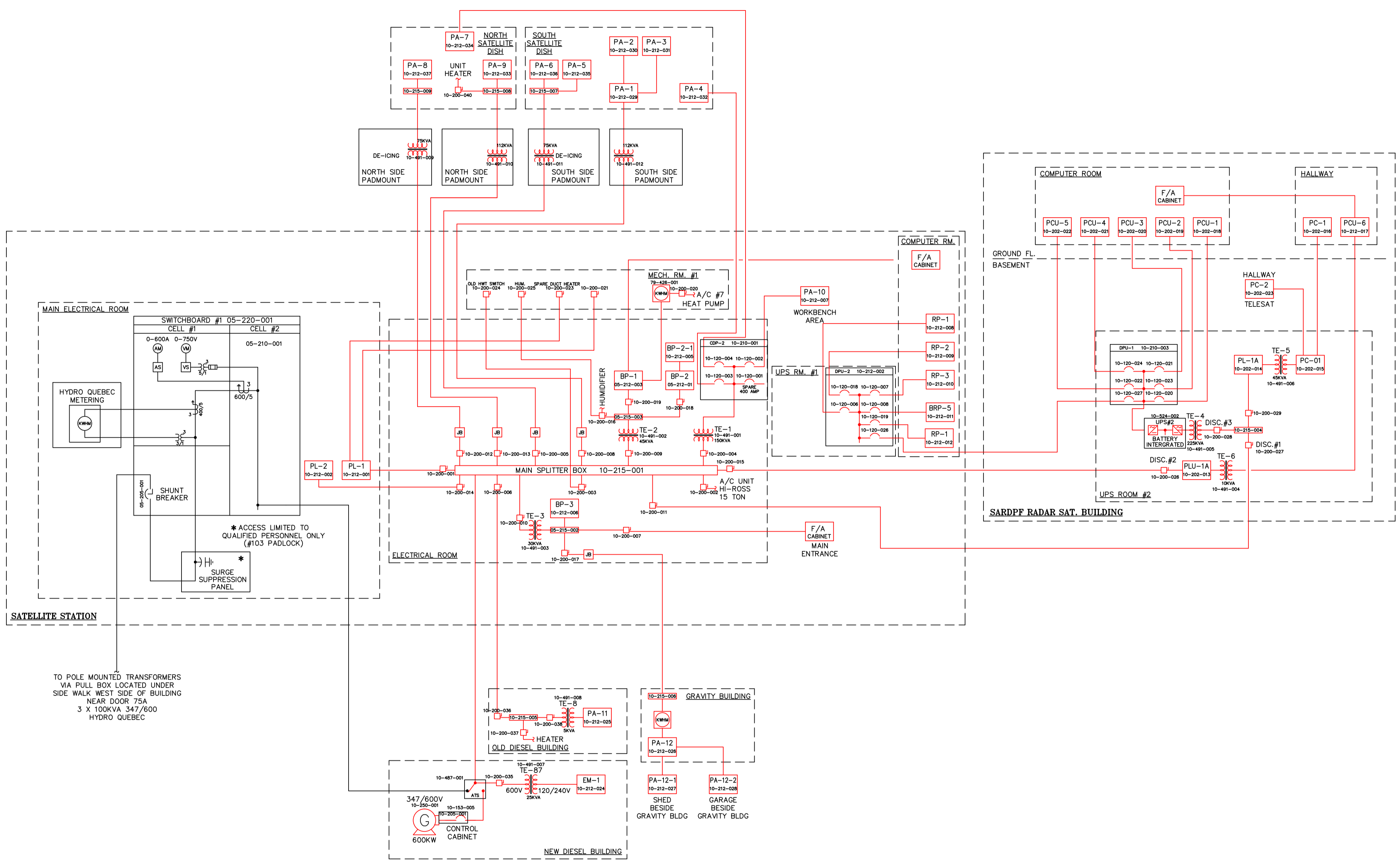
Cantley Satellite Tracking Station

75 McClellan Cantley, Quebec

drawing title
OPERATIONAL SINGLE LIONE DIAGRAM
POWER DISTRIBUTION

designed by _____ concu par _____
drawn by _____ desine par _____
reviewed by _____ revise par _____
approved by _____ approve par _____

Dwg no. / Dessin no. EO-914-1



TO POLE MOUNTED TRANSFORMERS VIA PULL BOX LOCATED UNDER SIDE WALK WEST SIDE OF BUILDING NEAR DOOR 75A 3 X 100KVA 347/600 HYDRO QUEBEC

* ACCESS LIMITED TO QUALIFIED PERSONNEL ONLY (#103 PADLOCK)