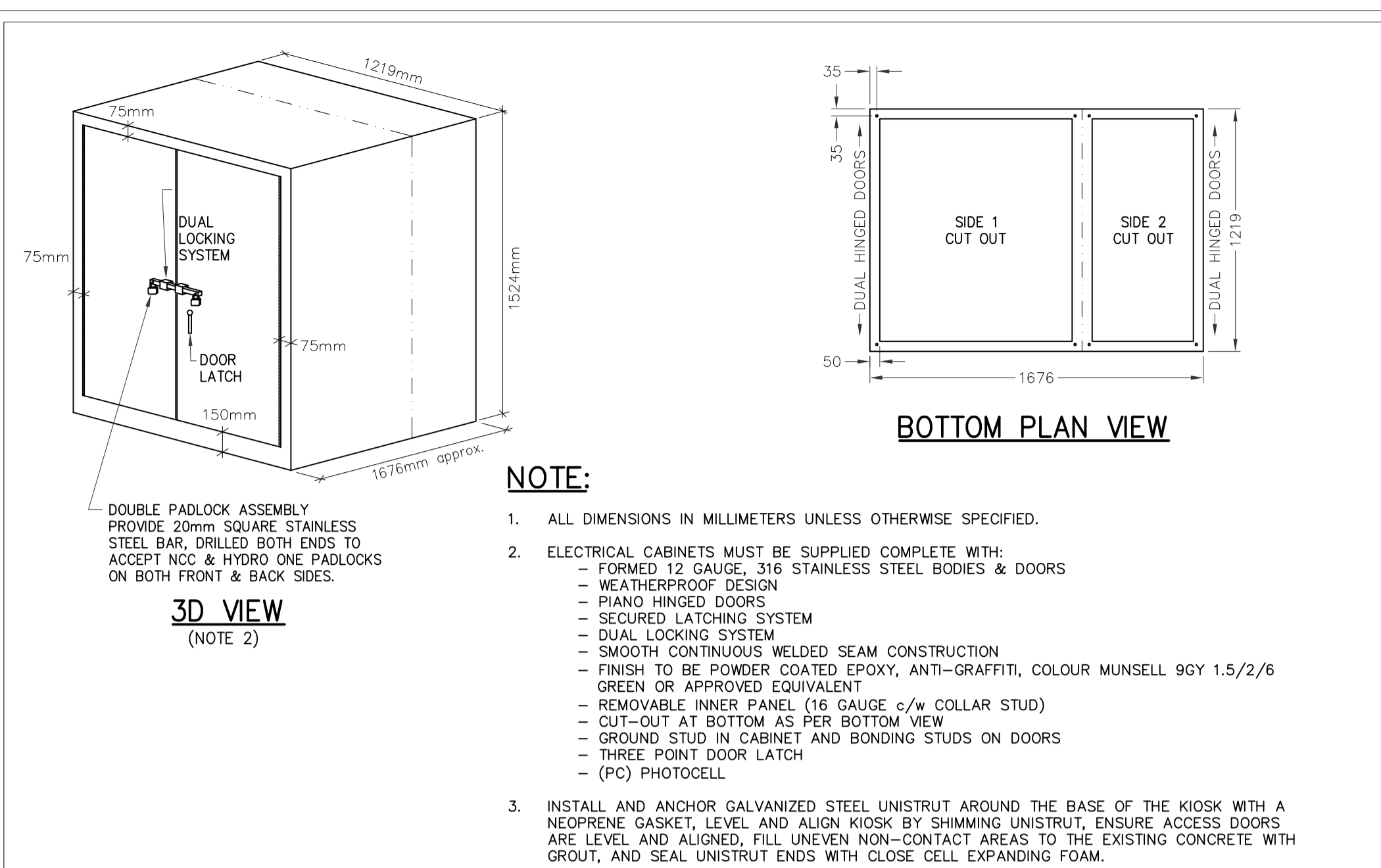
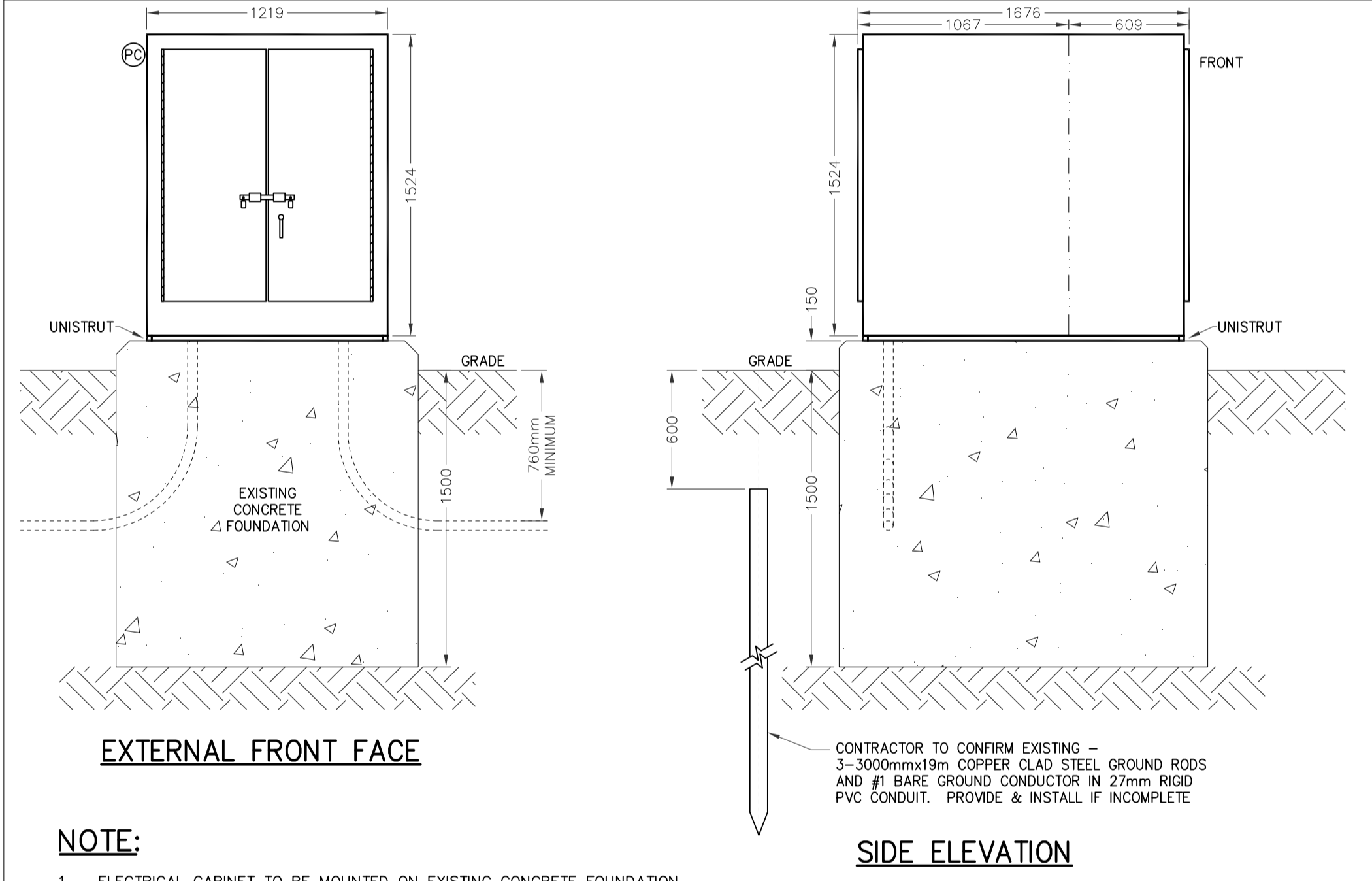


**1** LOCATION – KIOSK #113  
E04 N.T.S.



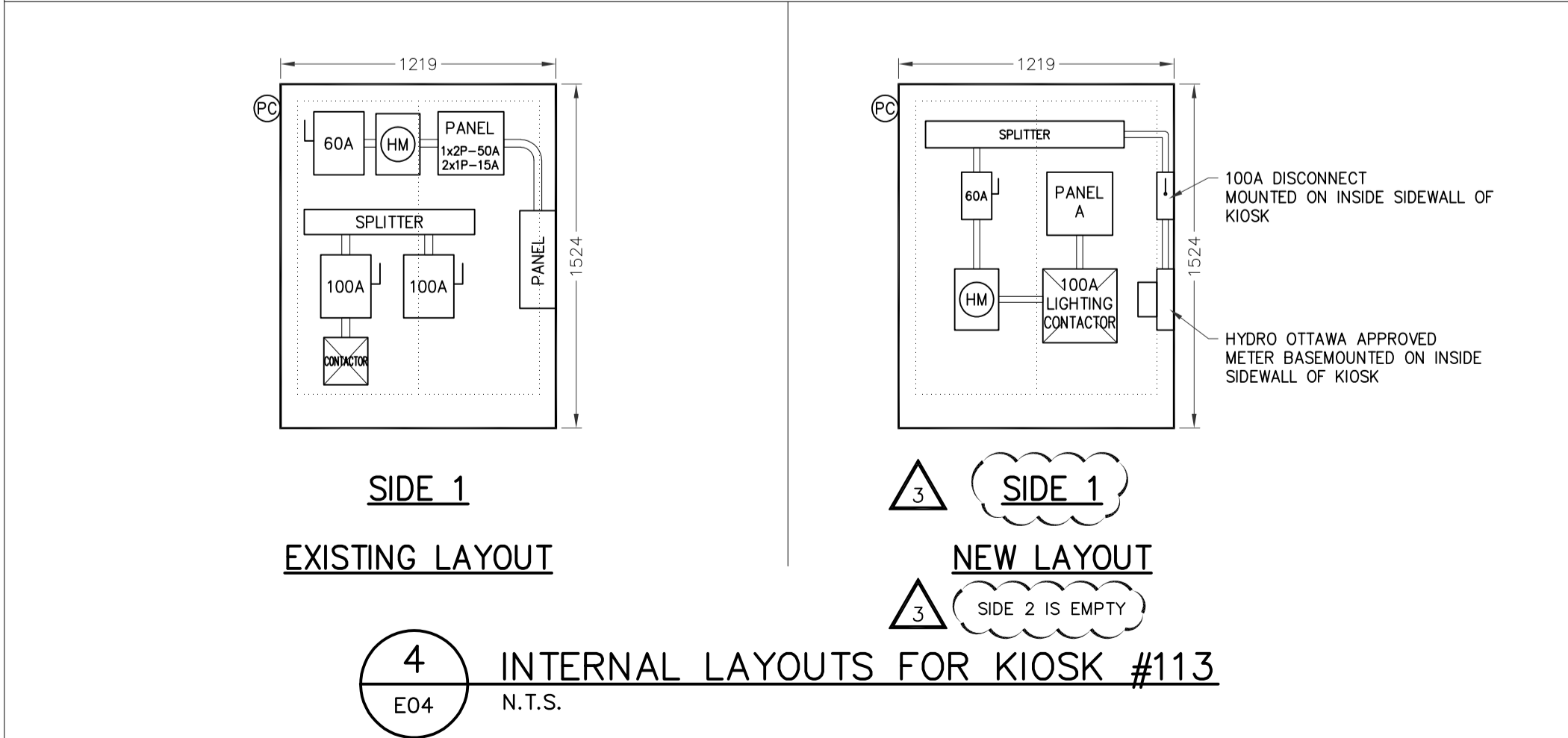
**2** NEW OUTDOOR PEDESTAL MOUNTED KIOSK ENCLOSURE – CONSTRUCTION DETAIL  
E04 N.T.S.



**NOTE:**

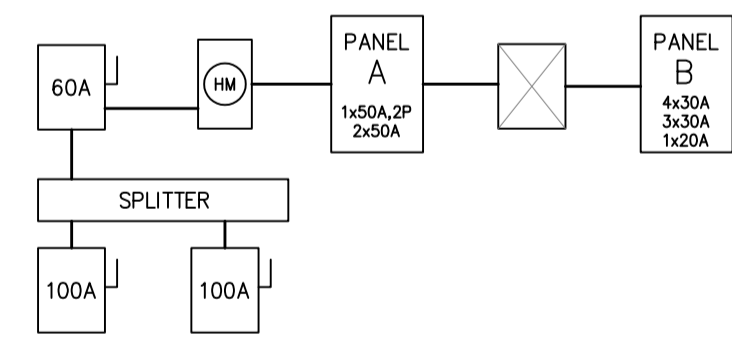
- ELECTRICAL CABINET TO BE MOUNTED ON EXISTING CONCRETE FOUNDATION.

**3** NEW KIOSK INSTALLATION DETAIL  
E04 N.T.S.

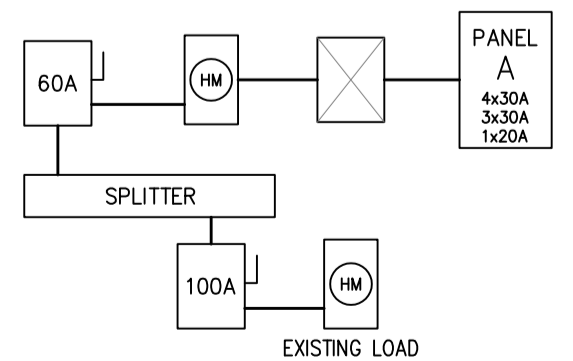


**4** INTERNAL LAYOUTS FOR KIOSK #113  
E04 N.T.S.

**5** KIOSK #113 EXISTING SINGLE LINE DIAGRAM  
E04 N.T.S.



**6** KIOSK #113 NEW SINGLE LINE DIAGRAM  
E04 N.T.S.



**GENERAL NOTES:**

- EXCEPT AS NOTED OTHERWISE, ALL EXISTING EQUIPMENT TO REMAIN IS SHOWN IN THIN SOLID LINES.
- EXCEPT AS NOTED OTHERWISE, ALL NEW EQUIPMENT IS SHOWN IN THICK SOLID LINES.
- EXCEPT AS NOTED OTHERWISE, ALL EXISTING EQUIPMENT TO BE DEMOLISHED IS SHOWN IN THICK DASHED LINES.
- ELECTRICAL CONTRACTOR IS RESPONSIBLE TO IDENTIFY ON SITE THE EXISTING FEEDERS TO BE REMOVED, RELOCATED, AND EXTENDED.

**SPECIFIC NOTES:**

- CONTRACTOR TO REPLACE THE EXISTING KIOSK C/W THE ELECTRICAL DISTRIBUTION SHOWN IN DETAIL 4 "EXISTING LAYOUT" AND EXISTING SINGLE LINE (5/E04) WITH NEW KIOSK C/W NEW ELECTRICAL DISTRIBUTION AS SHOWN IN DETAIL 4 "NEW LAYOUT" AND NEW SINGLE LINE (6/E04). CONTRACTOR TO RECONNECT AND/OR EXTEND THE EXISTING WIRING CIRCUITS.
- CONTRACTOR TO PROVIDE AND INSTALL 7x30A AND 1x20A BREAKERS IN PANEL A TO FEED THE EXISTING LIGHTING CIRCUITS.

no.	description	date
3	ISSUED FOR ADDENDUM	2014-07-31
2	ISSUED FOR TENDER	2013-12-02
1	ISSUED FOR 95% REVIEW	2013-10-23

project  
project

**ELECTRICAL KIOSK REPLACEMENT - CORE AREA -**

**KIOSK #113**  
(Lady Grey)

drawing  
dessin

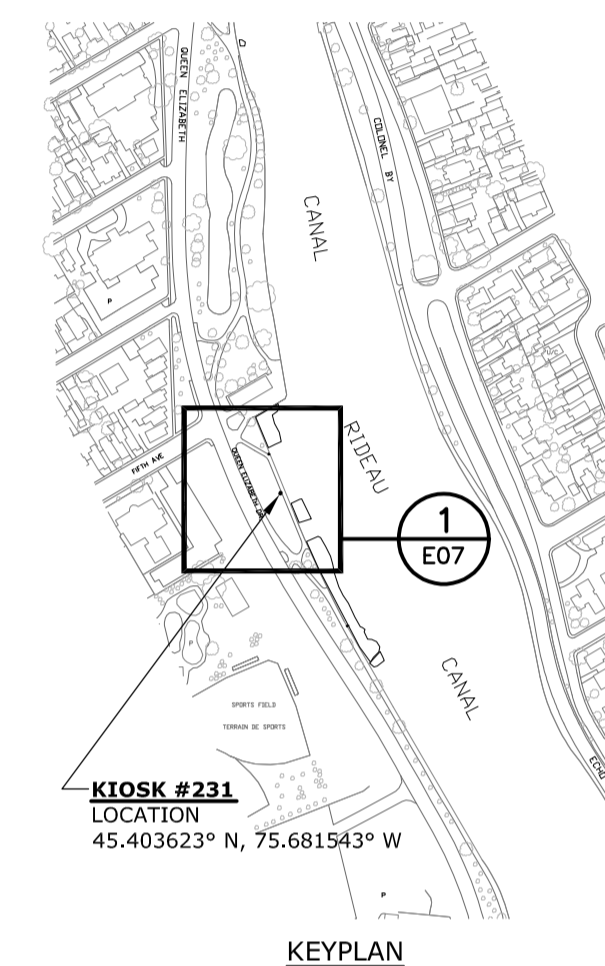
approved by  
approuvé par James Huynh

designed by  
conçu par D.G.

drawn by  
dessiné par G.G.

date 2013-09-13 scale  
échelle As Shown

NCC project no. sheet no.  
no. du projet de la CCN no. de la feuille  
DC4000-19 **E04**



no.	description	date
3	ISSUED FOR ADDENDUM	2014-07-31
2	ISSUED FOR TENDER	2013-12-02
1	ISSUED FOR 95% REVIEW	2013-10-23

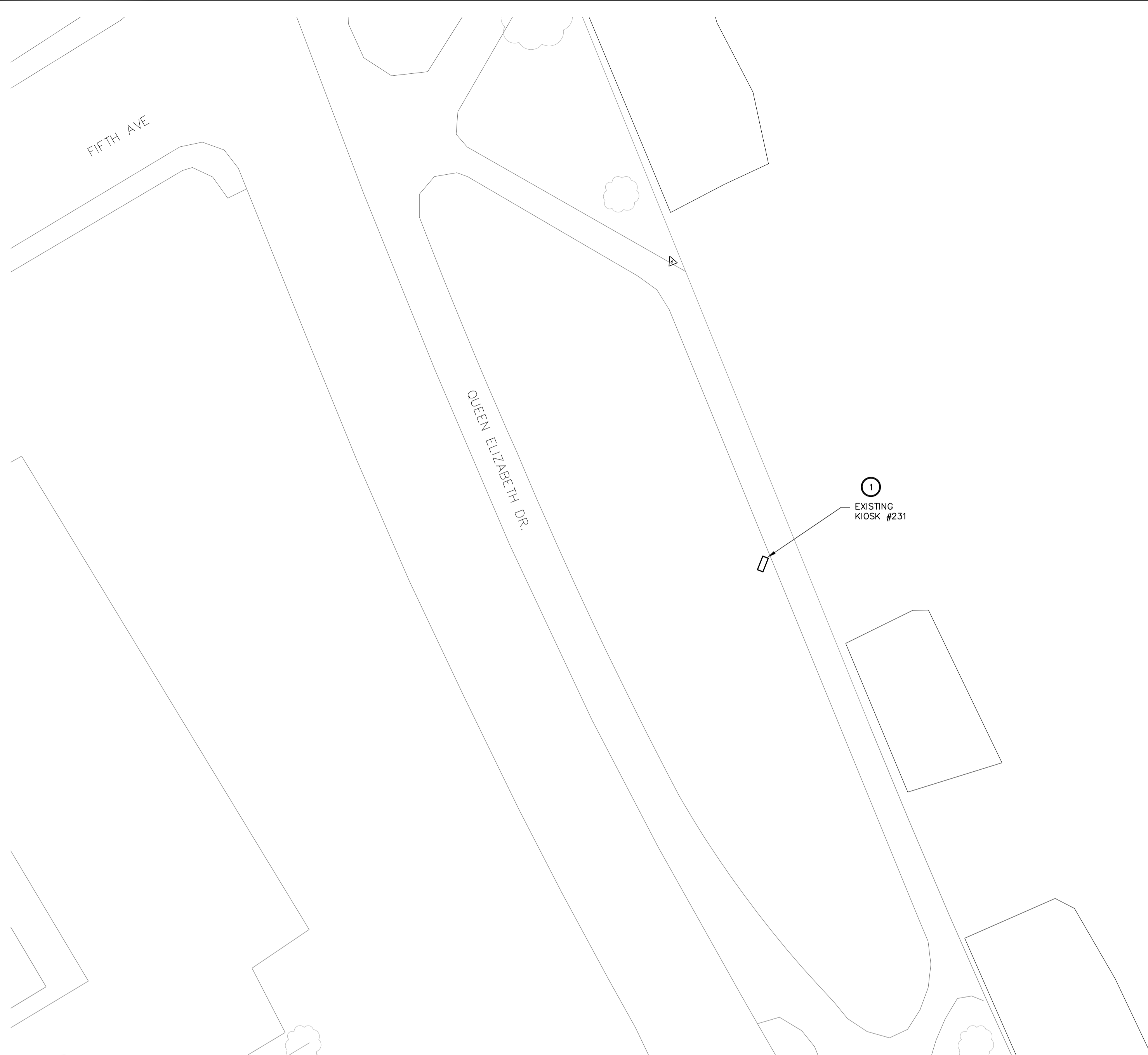
project  
projet

**ELECTRICAL KIOSK  
REPLACEMENT  
- CORE AREA -**

drawing  
dessin

**KIOSK #231  
(QED near Canal Ritz)**

approved by  
approuvé par James Huynh  
designed by  
conçu par D.G.  
drawn by  
dessiné par G.G.  
date 2013-09-13 scale  
échelle As Shown  
NCC project no. sheet no.  
no. du projet de la CCN no. de la feuille  
DC4000-19 **E07**



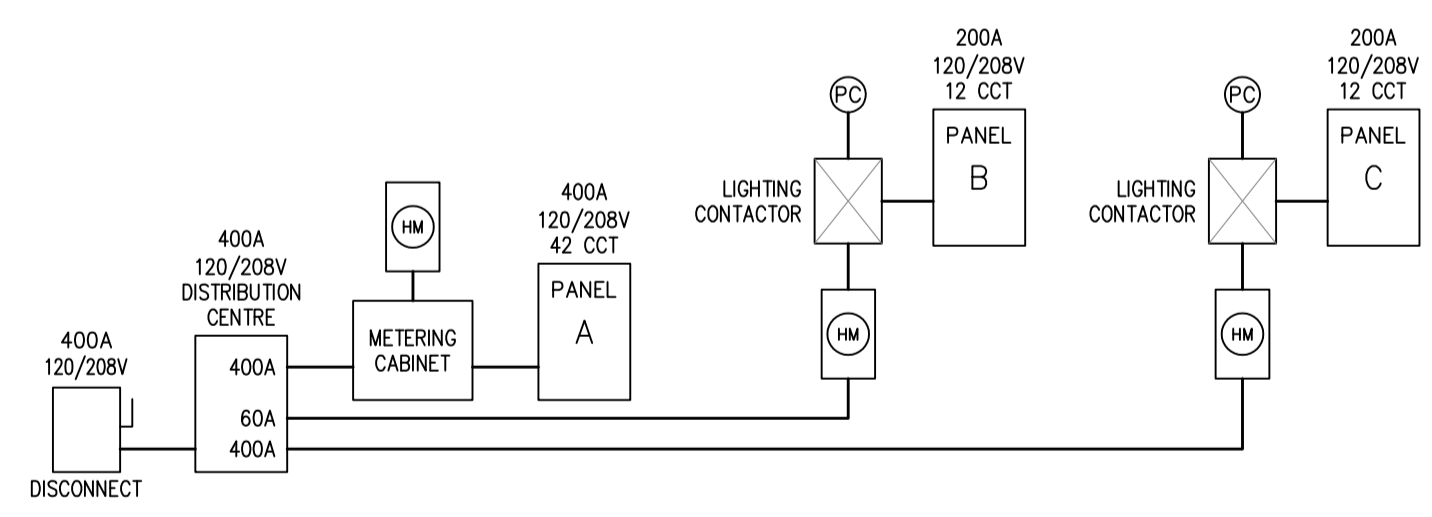
**1**  
E07 **LOCATION - KIOSK #231**  
1:250

**GENERAL NOTES:**

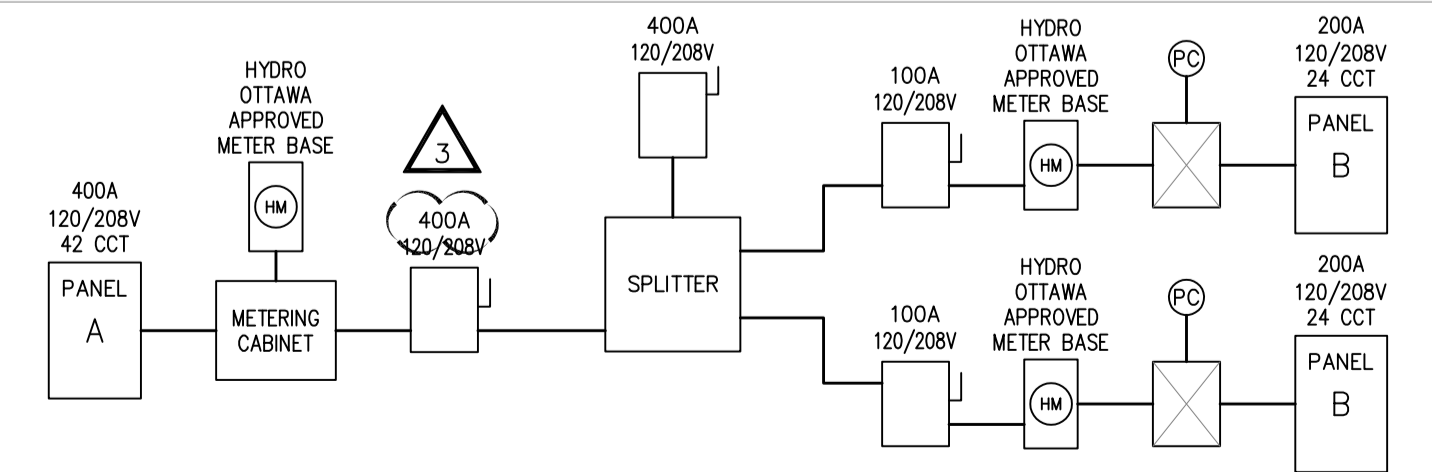
- EXCEPT AS NOTED OTHERWISE, ALL EXISTING EQUIPMENT TO REMAIN IS SHOWN IN THIN SOLID LINES.
- EXCEPT AS NOTED OTHERWISE, ALL NEW EQUIPMENT IS SHOWN IN THICK SOLID LINES.
- EXCEPT AS NOTED OTHERWISE, ALL EXISTING EQUIPMENT TO BE DEMOLISHED IS SHOWN IN THICK DASHED LINES.
- ELECTRICAL CONTRACTOR IS RESPONSIBLE TO IDENTIFY ON SITE THE EXISTING FEEDERS TO BE REMOVED, RELOCATED, AND EXTENDED.

**SPECIFIC NOTES:**

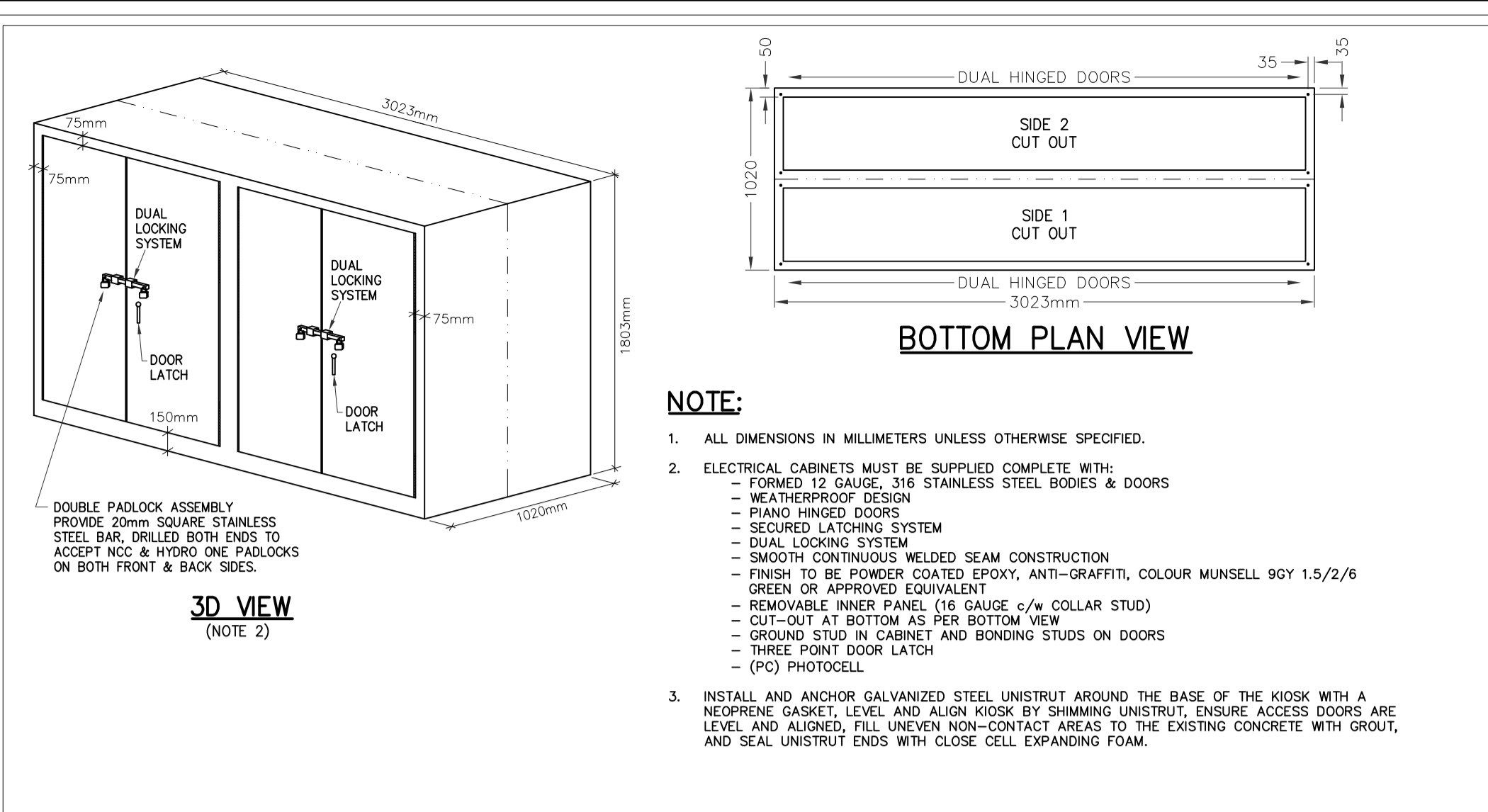
- CONTRACTOR TO REPLACE THE EXISTING 2 KIOSKS C/W THE ELECTRICAL DISTRIBUTION SHOWN IN DETAIL 4 "EXISTING LAYOUT" AND EXISTING SINGLE LINE (5/E07) WITH 1 NEW KIOSK C/W NEW ELECTRICAL DISTRIBUTION AS SHOWN IN DETAIL 4 "NEW LAYOUT" AND NEW SINGLE LINE (6/E07). CONTRACTOR TO RECONNECT AND/OR EXTEND THE EXISTING WIRING CIRCUITS.
- CONTRACTOR TO PROVIDE AND INSTALL 2x3P-100A, 3x2P-30A, 5x2P-100A AND 3x1P-15A BREAKERS IN PANEL A TO FEED THE EXISTING LIGHTING CIRCUITS.
- CONTRACTOR TO PROVIDE AND INSTALL 6x15A AND 1x3P-30A BREAKERS IN PANEL B TO FEED THE EXISTING LIGHTING CIRCUITS.
- CONTRACTOR TO REPLACE THE EXISTING 100A HUBBELL OUTLET WITH MATCHING TYPE, FASTEN TO THE SIDE OF THE KIOSK, AND RECONNECT IT TO PANEL A.
- CONTRACTOR TO PROVIDE AND INSTALL 6x1P-15A BREAKERS IN PANEL C TO FEED THE EXISTING LIGHTING CIRCUITS.
- PADLOCKABLE WEATHER SEALED 250mm x 250mm ACCESS HATCH AT BOTH ENDS OF THE KIOSK.



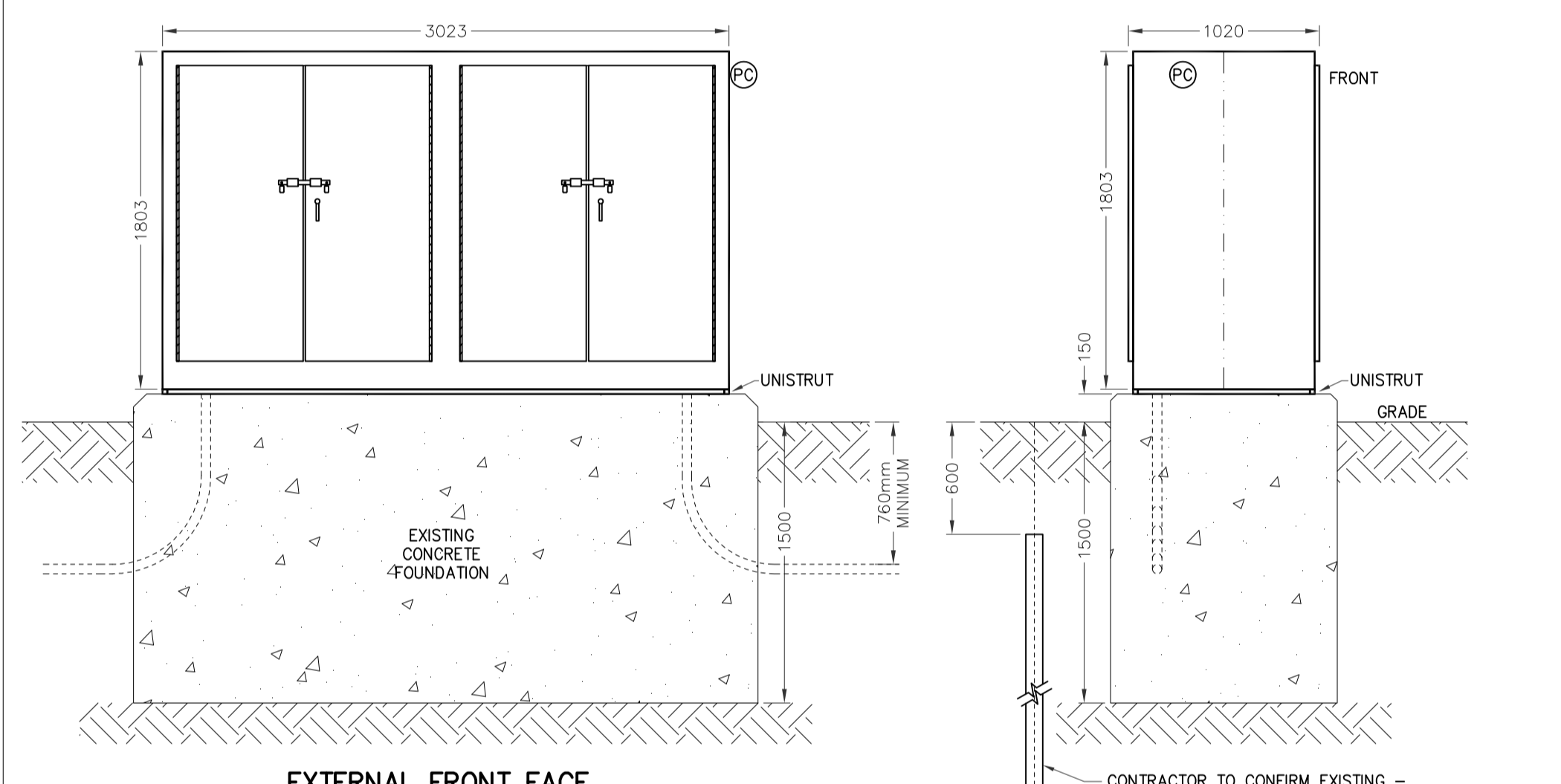
**5**  
E07 **KIOSK #231  
EXISTING SINGLE LINE DIAGRAM**  
N.T.S.



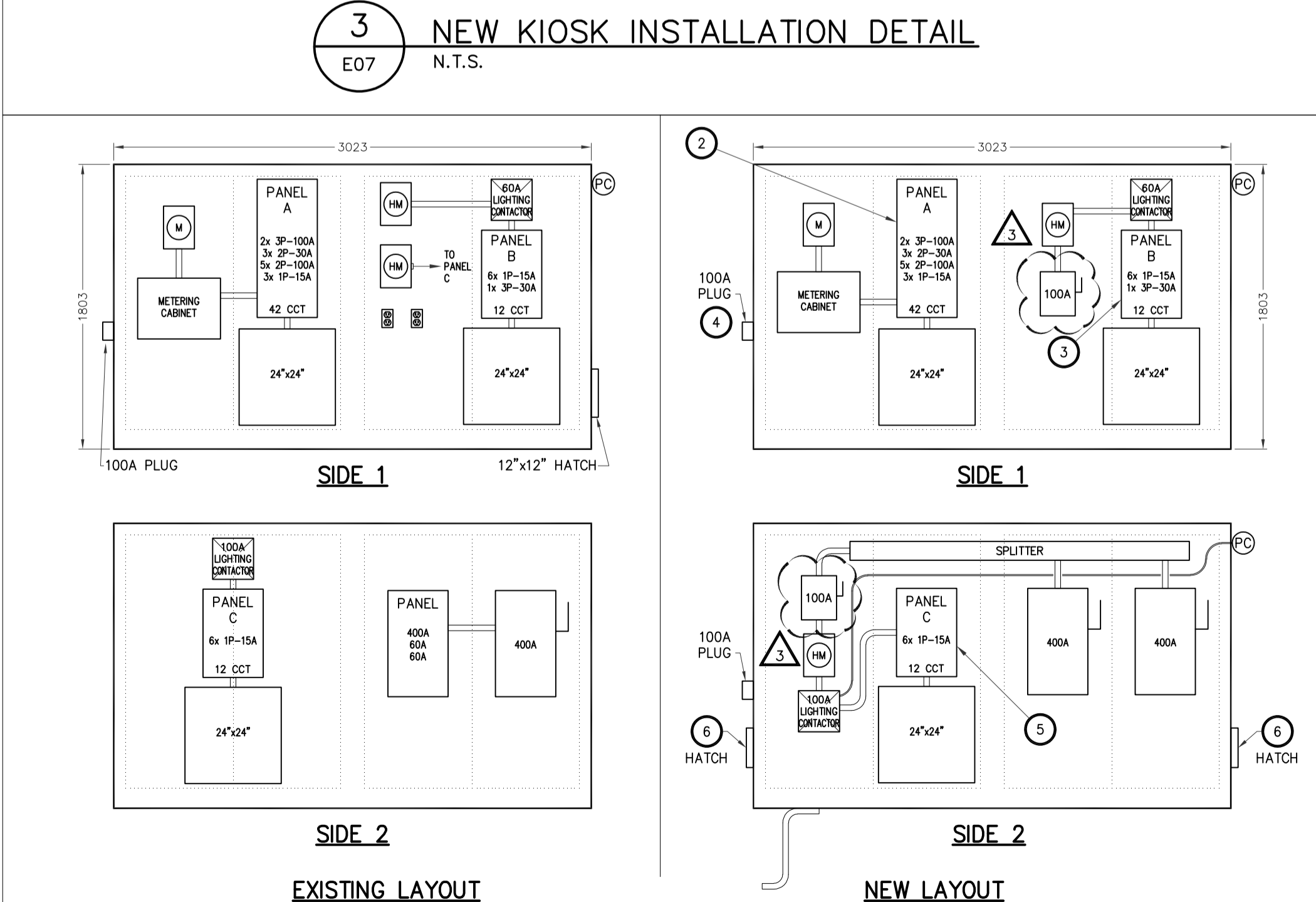
**6**  
E07 **KIOSK #231  
NEW SINGLE LINE DIAGRAM**  
N.T.S.



**2**  
E07 **NEW OUTDOOR PEDESTAL MOUNTED  
KIOSK ENCLOSURE - CONSTRUCTION DETAIL**  
N.T.S.



**3**  
E07 **NEW KIOSK INSTALLATION DETAIL**  
N.T.S.



**4**  
E07 **INTERNAL LAYOUTS FOR KIOSK #231**  
N.T.S.