

This Drawing is For The Use Of The Client And Project Indicated
No Representations Of Any Kind Are Made To Other Parties



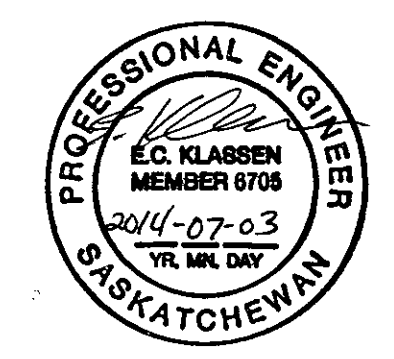
LOOP R	
ELEC REF#	OTENTIK REF#
R1	R1
R2	R2
R3	PARKING 1
R4	R3
R5	R4
R6	PARKING 2
R7	R5
R8	R6
R9	R7
R10	R8
R11	R9
R12	R10

- LEGEND**
- ▼ PEDESTAL
 - SPLITTER BOX
 - ▣ SASKPOWER TRANSFORMER
 - SERVICE PANELBOARD (PB)
 - POLE
 - ⊕ POLE-TOP LIGHT
 - PROPOSED UNDER GROUND ELECTRICAL CABLE
 - - - EXISTING UNDERGROUND ELECTRICAL CABLE - CAMPSITES

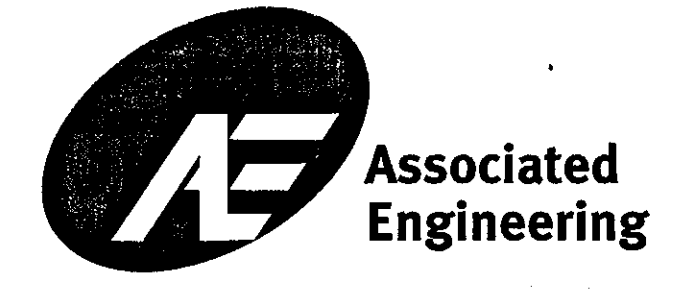
- NOTES:**
- SITE IS NOT SURVEYED. LAYOUT AND DISTANCE ARE APPROXIMATE
 - ALTERNATE ROUTE TO LOOP R WOULD BE THROUGH BACK OF P6 TO R9 (R7)
 - LOCATION OF EXISTING UNDERGROUND INSTALLATION IS APPROXIMATE. LOCATE AND MARK AS INDICATED IN SPECIFICATIONS.

1 PLAN APPROX. 1:1250

NO.	DATE	ENG.	BY	SUBJECT
0	2014/07/03	EK	K.T.	ISSUED FOR TENDER
REVISIONS				



ASSOCIATION OF PROFESSIONAL ENGINEERS AND GEOSCIENTISTS OF SASKATCHEWAN
 CERTIFICATE OF AUTHORIZATION
 ASSOCIATED ENGINEERING (SASK.) LTD.
 NUMBER C116
 PERMISSION TO CONSULT HELD BY:
 DISCIPLINE: Electrical 06705
 SASK. REG. No. _____
 SIGNATURE: *E. Klassen*



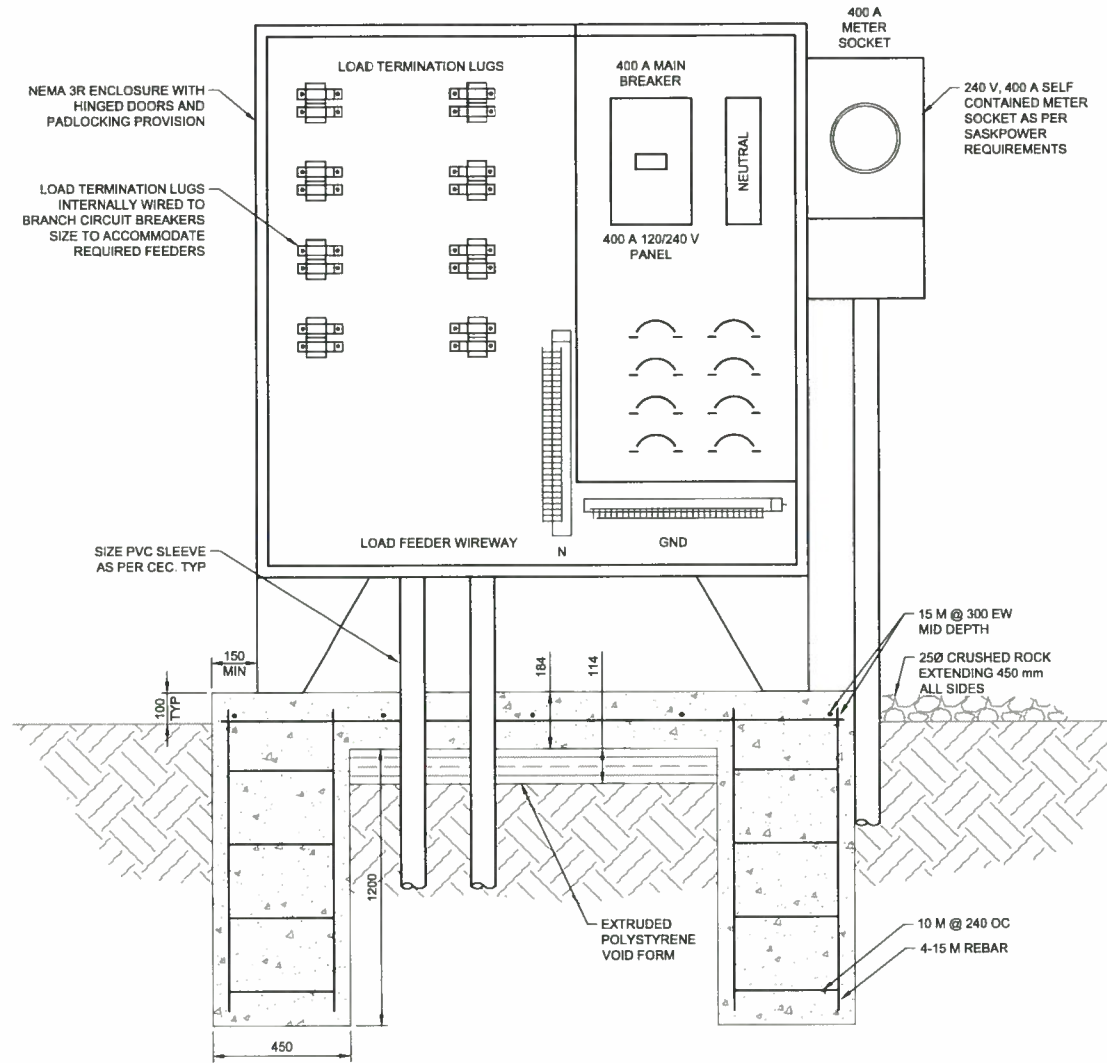
PROJECT No.	20134373
SCALE	AS SHOWN
DRAWN	K. TUMA
DESIGNED	D. SHYMKO

PARKS CANADA
PRINCE ALBERT NATIONAL PARK
 ELECTRICAL
 SITE PLAN

BEAVER GLEN CAMPGROUND CAMPSITE ELECTRICAL EXPANSION		
DRAWING NUMBER	REV. NO.	SHEET
20134373-00-601	0	01 08

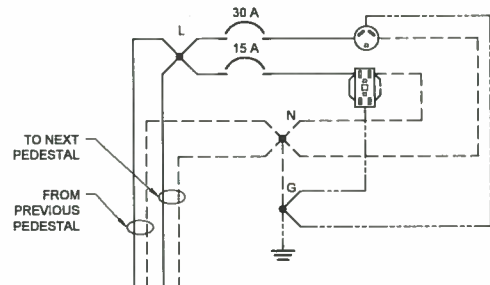
P:\20134373\00_campsite_electrical\Working_Dwg\0600_Electrical\20134373-00-001.dwg
DATE: 2014-07-03 12:48:11

This Drawing is For The Use Of The Client And Project Indicated. No Representations Of Any Kind Are Made To Other Parties.



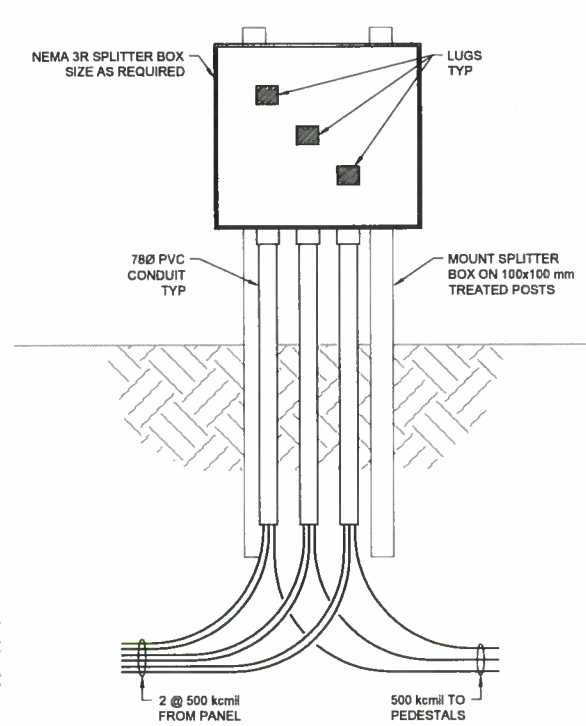
NOTE:
1. GROUND NEUTRAL AND ENCLOSURES WITH TWO GROUND RODS ACCORDING TO CEC REQUIREMENTS

1 DETAIL NTS
NEW PANEL - TYPICAL

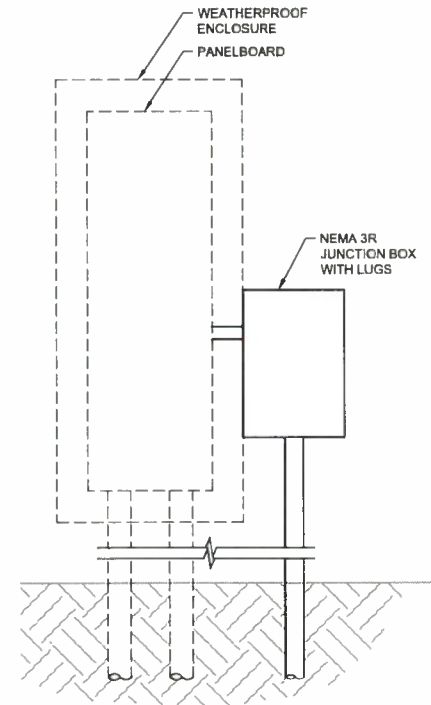


NOTE:
1. BOND NEUTRAL TO GROUND AT EACH PEDESTAL

5 SCHEMATIC NTS
TYPICAL RV PEDESTAL

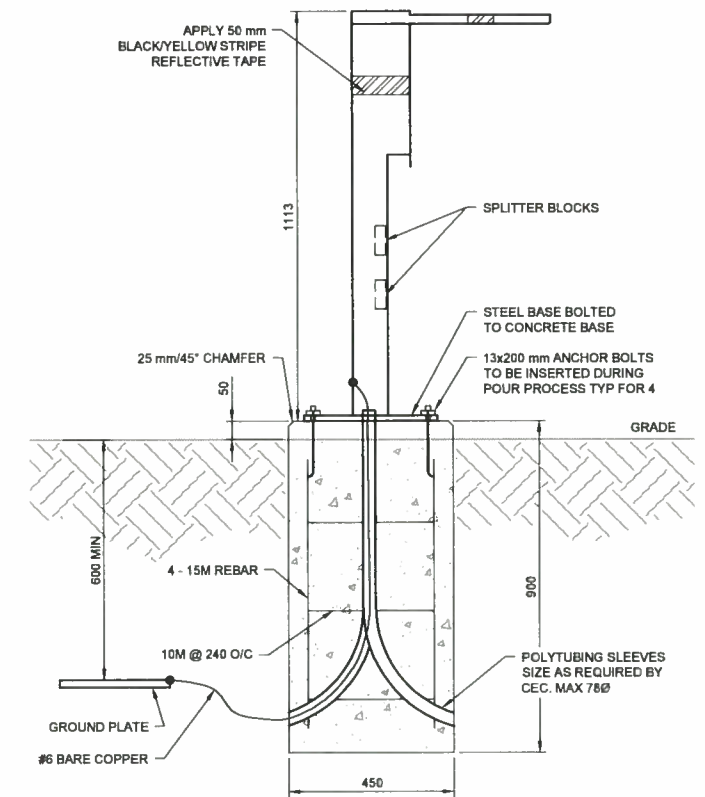


2 DETAIL NTS
LOOP SPLITTER BOX - TYPICAL



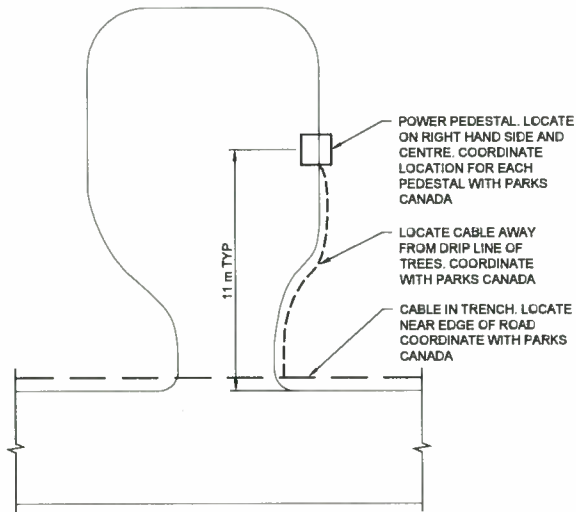
NOTE:
1. FOR ALL NEW BRANCH BREAKER FEEDS FROM EXISTING PANEL, ADD JUNCTION BOX FOR ONLY NEW CIRCUITS. LEAVE EXISTING AS IS.

3 DETAIL NTS
ADDITION TO EXISTING PANELBOARD

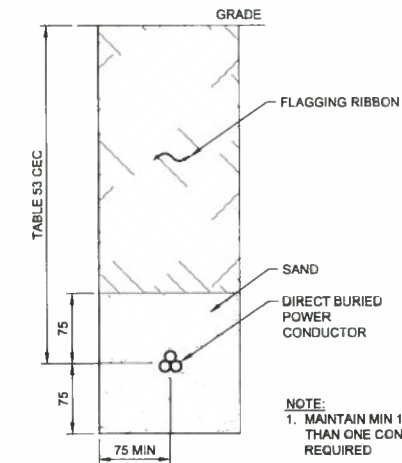


NOTE:
1. ALTERNATIVE GROUNDING METHOD USING TWO ROD ELECTRODES TO MEET CEC REQUIREMENTS WILL ALSO BE ACCEPTED

4 DETAIL NTS
TYPICAL RV PEDESTAL



6 DETAIL NTS
TYPICAL CAMPSITE LAYOUT



NOTE:
1. MAINTAIN MIN 190 mm SPACING WHEN MORE THAN ONE CONDUCTOR PER PHASE IS REQUIRED

7 DETAIL NTS
TRENCHING

P:\2013\201300_campus_electrical\working_Dwg\602_Electrical\2013-07-03-00-002.dwg
DATE: 2013-07-03 10:58:13 AM

NO.	DATE	ENG.	BY	ISSUED FOR TENDER	SUBJECT
0	20140703	E.K.	K.T.	ISSUED FOR TENDER	
REVISIONS					

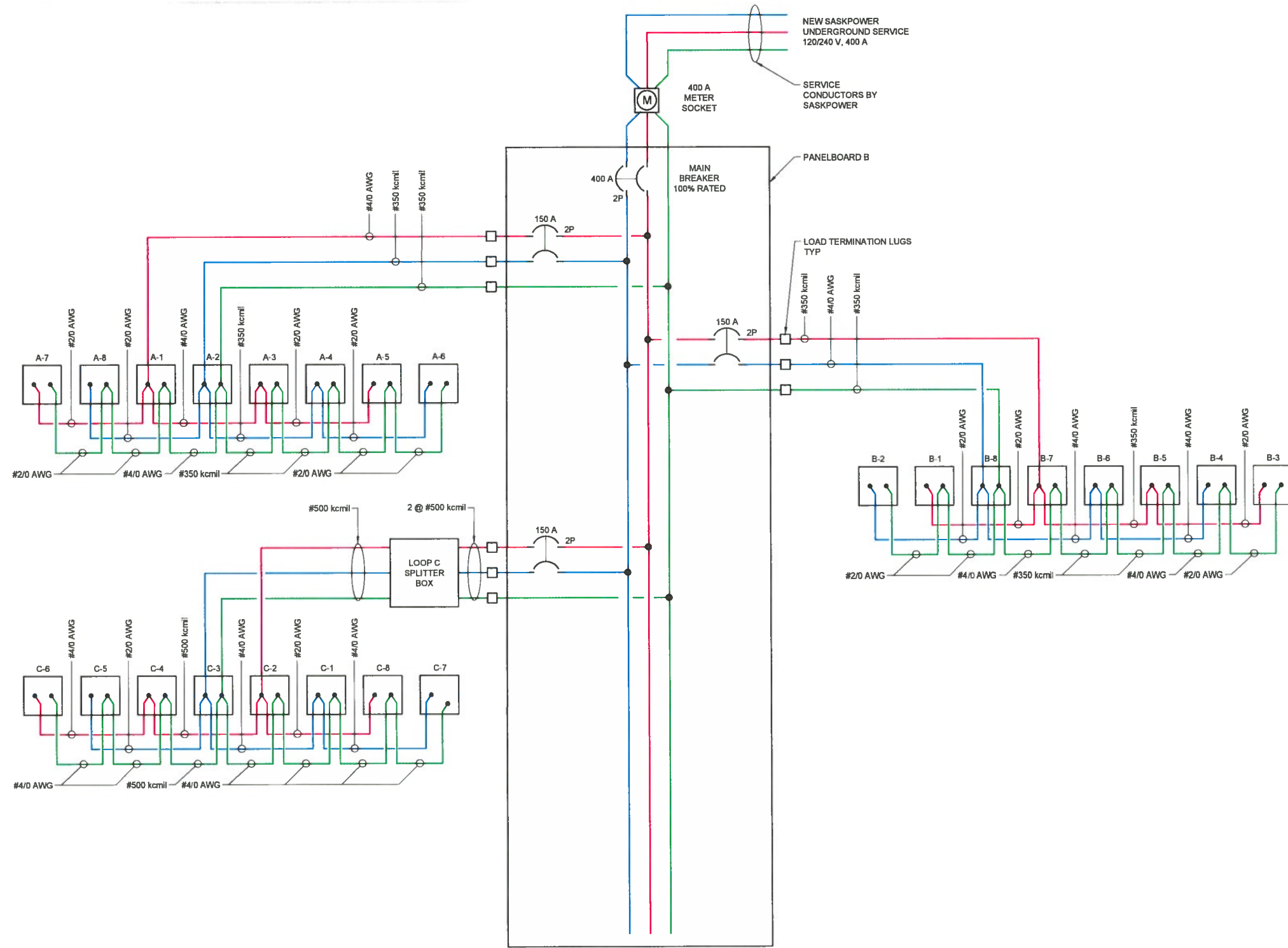
ASSOCIATION OF PROFESSIONAL ENGINEERS AND GEOSCIENTISTS OF SASKATCHEWAN
CERTIFICATE OF AUTHORIZATION
ASSOCIATED ENGINEERING (SASK.) LTD.
NUMBER C116
PERMISSION TO CONSULT HELD BY
DISCIPLINE: ELECTRICAL
SASK. REG. NO. 2014-07-03
SIGNATURE: Electrical 06/05/14

AE Associated Engineering

PROJECT No.	20134373
SCALE	AS SHOWN
DRAWN	K. TUMA
DESIGNED	D. SHYMKO

PARKS CANADA
PRINCE ALBERT NATIONAL PARK
ELECTRICAL DETAILS

BEAVER GLEN CAMPGROUND CAMPSITE ELECTRICAL EXPANSION		
DRAWING NUMBER	REV. NO.	SHEET
20134373-00-602	0	02 08



1 DIAGRAM NTS

----- EXISTING
 _____ NEW

NO.	DATE	ENG.	BY	SUBJECT



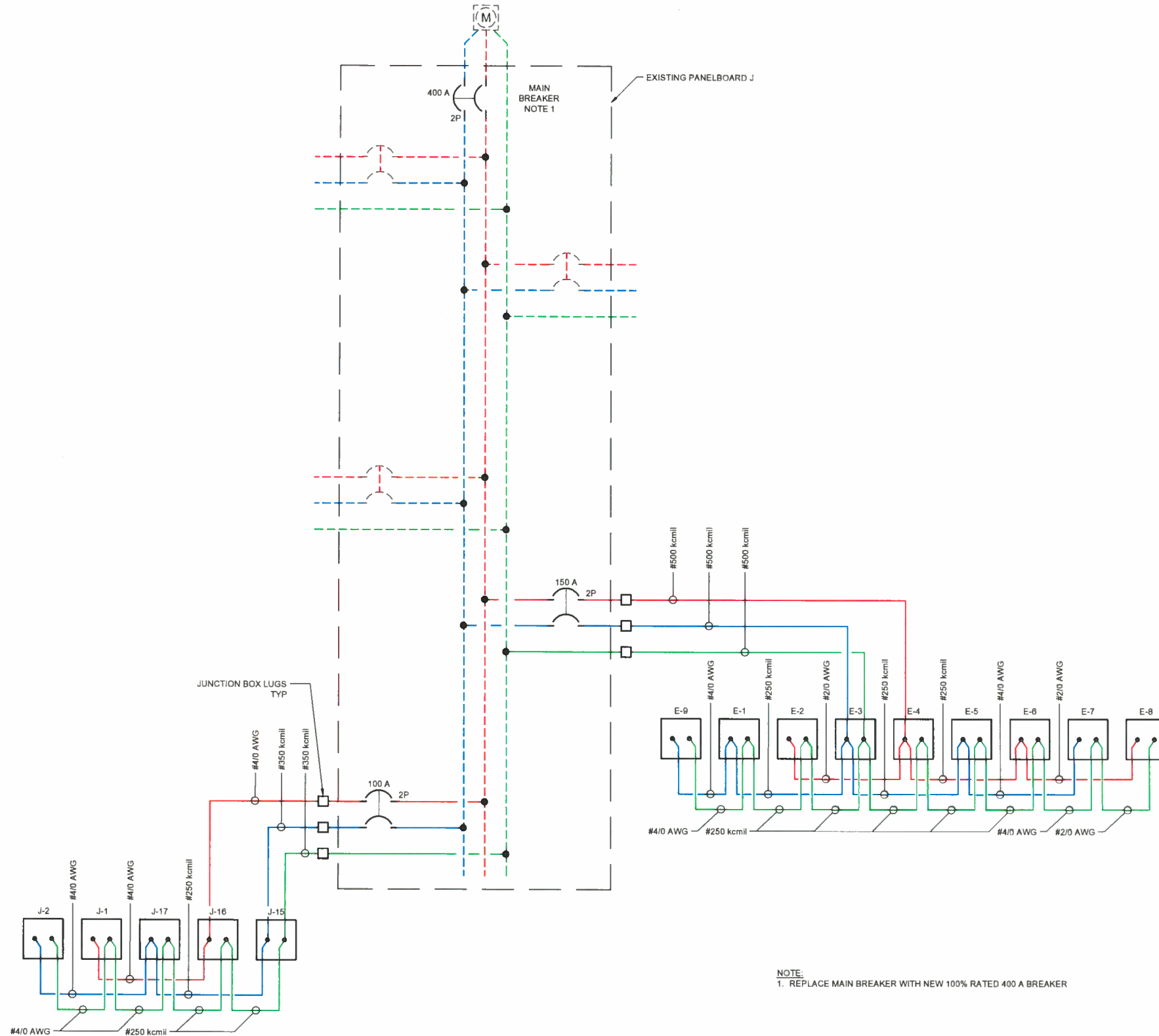
ASSOCIATION OF PROFESSIONAL ENGINEERS
 AND GEOSCIENTISTS OF SASKATCHEWAN
 CERTIFICATE OF AUTHORIZATION
 ASSOCIATED ENGINEERING (SASK.) LTD.
 NUMBER C116
 PERMISSION TO CONSULT HELD BY
 DISCIPLINE _____ SASK. REG. NO. _____ SIGNATURE _____
Electrical 06705



PROJECT No.	20134373
SCALE	AS SHOWN
DRAWN	K. TUMA
DESIGNED	D. SHYMKO

PARKS CANADA PRINCE ALBERT NATIONAL PARK
ELECTRICAL NEW PANEL B

BEAVER GLEN CAMPGROUND CAMPSITE ELECTRICAL EXPANSION		
DRAWING NUMBER 20134373-00-603	REV. NO. 0	SHEET 03 08



NOTE:
1. REPLACE MAIN BREAKER WITH NEW 100% RATED 400 A BREAKER

----- EXISTING
————— NEW

1 DIAGRAM NTS

P:\2013\2013000_2013\2013000_2013\2013000_Electrical\201313172-04-04.dwg
DATE: 2014/07/04 10:44:13 AM

NO.	DATE	ENG.	BY	SUBJECT
0	2014/07/03	E.K.	A.T.	ISSUED FOR TENDER
REVISIONS				



ASSOCIATION OF PROFESSIONAL ENGINEERS
AND GEOSCIENTISTS OF SASKATCHEWAN
CERTIFICATE OF AUTHORIZATION
ASSOCIATED ENGINEERING (SASK.) LTD.
NUMBER C116
PERMISSION TO CONSULT HELD BY:
DISCIPLINE _____ SASK. REG. NO. _____ SIGNATURE _____
Electrical 06705 E.K.

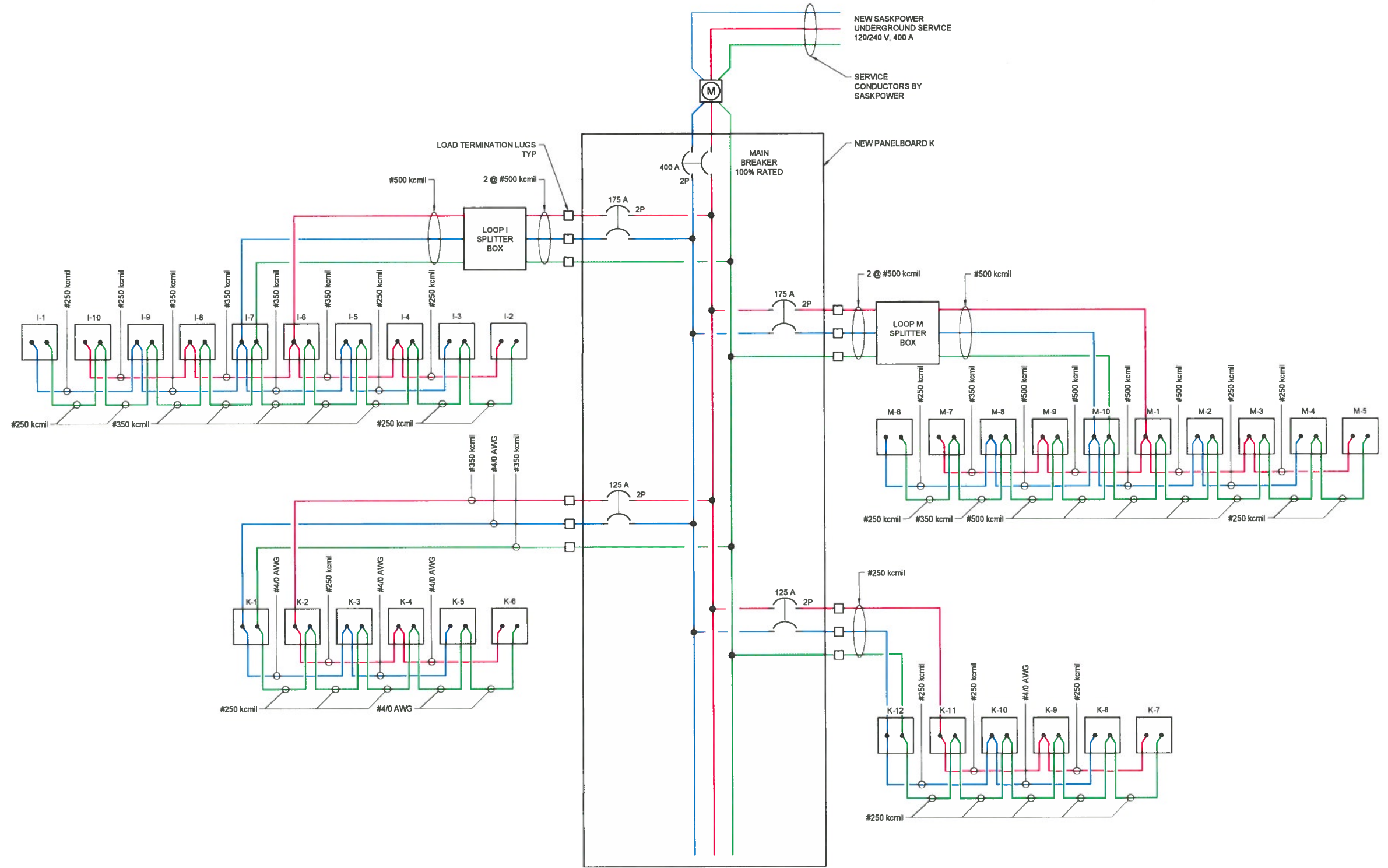


PROJECT No.	20134373
SCALE	AS SHOWN
DRAWN	K. TUMA
DESIGNED	D. SHYMKO

PARKS CANADA
PRINCE ALBERT NATIONAL PARK
ELECTRICAL
EXISTING PANEL J

BEAVER GLEN CAMPGROUND CAMPSITE ELECTRICAL EXPANSION		
DRAWING NUMBER	REV. NO.	SHEET
20134373-00-604	0	04 / 08

This Drawing is For The Use Of The Client And Project Indicated. No Representations Of Any Kind Are Made To Other Parties.



1 DIAGRAM NTS

----- EXISTING
 _____ NEW

NO.	DATE	ENG.	BY	SUBJECT
0	20140703	E.K.	K.T.	ISSUED FOR TENDER
REVISIONS				



ASSOCIATION OF PROFESSIONAL ENGINEERS AND GEOSCIENTISTS OF SASKATCHEWAN
 CERTIFICATE OF AUTHORIZATION
 ASSOCIATED ENGINEERING (SASK.) LTD.
 NUMBER C116
 PERMISSION TO CONSULT HELD BY
 DISCIPLINE _____ SASK. REG. NO. _____ SIGNATURE _____
Electrical 06705 E.Klassen

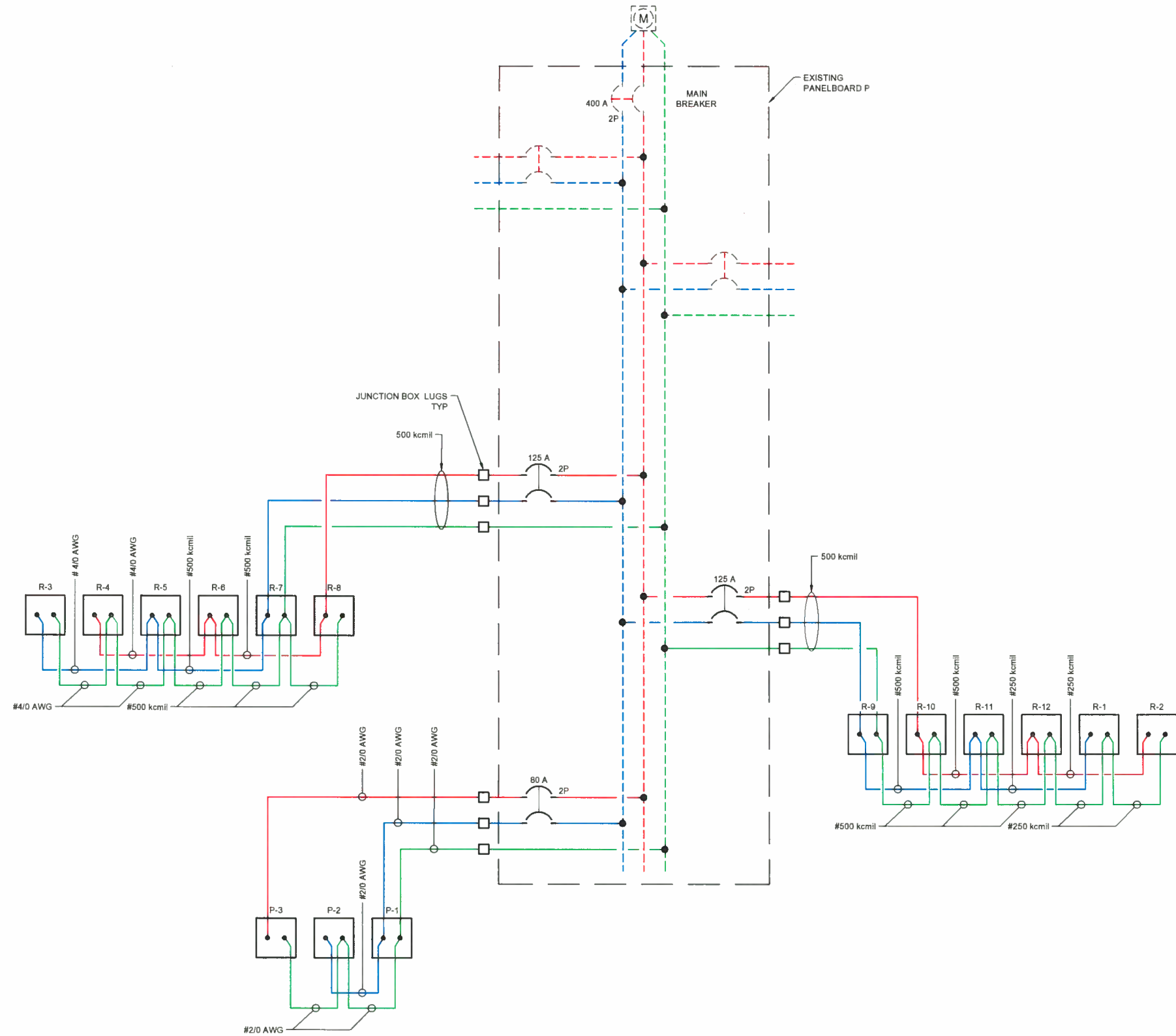


PROJECT No.	20134373
SCALE	AS SHOWN
DRAWN	K. TUMA
DESIGNED	D. SHYMKO

PARKS CANADA
 PRINCE ALBERT NATIONAL PARK
 ELECTRICAL
 NEW PANEL K

BEAVER GLEN CAMPGROUND CAMPSITE ELECTRICAL EXPANSION		
DRAWING NUMBER	REV. NO.	SHEET
20134373-00-605	0	05 / 08

P:\01343730_campsite_electrical\Working_Drawing\000_Electrical\20134373-00-605.dwg
 DATE: 2014-07-03 10:45:25 AM



1 DIAGRAM NTS

----- EXISTING
 _____ NEW

NO.	DATE	ENG.	BY	SUBJECT



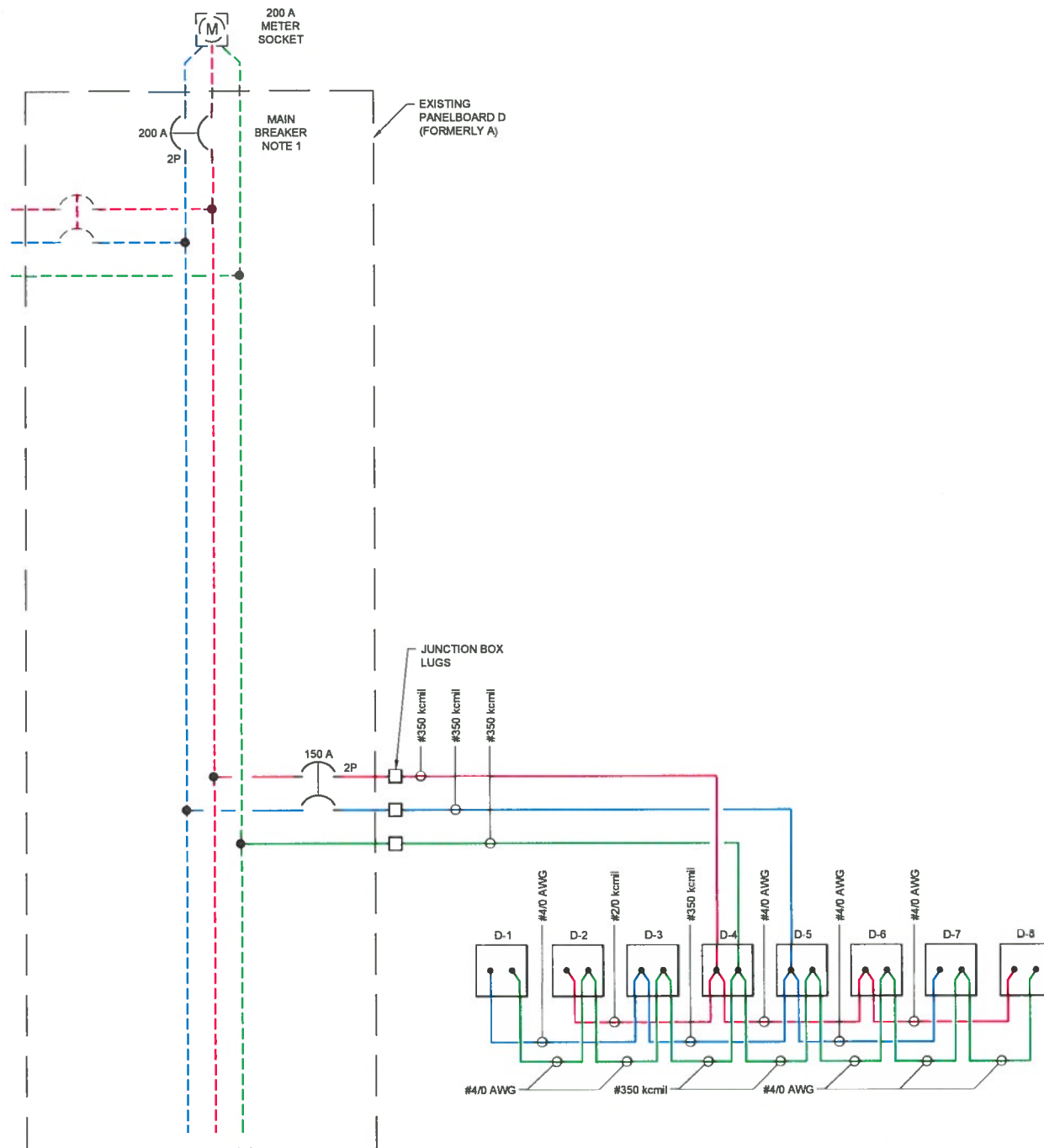
ASSOCIATION OF PROFESSIONAL ENGINEERS
 AND GEOSCIENTISTS OF SASKATCHEWAN
 CERTIFICATE OF AUTHORIZATION
 ASSOCIATED ENGINEERING (SASK.) LTD.
 NUMBER C116
 PERMISSION TO CONSULT HELD BY
 DISCIPLINE: Electrical 06705
 SASK. REG. No. SIGNATURE: *D. Shymko*



PROJECT No.	20134373
SCALE	AS SHOWN
DRAWN	K. TUMA
DESIGNED	D. SHYMKO

PARKS CANADA PRINCE ALBERT NATIONAL PARK
ELECTRICAL EXISTING PANEL P

BEAVER GLEN CAMPGROUND CAMPSITE ELECTRICAL EXPANSION		
DRAWING NUMBER	REV. NO.	SHEET
20134373-00-607	0	07 08



NOTE
1. REPLACE MAIN BREAKER WITH NEW 100% RATED 200 A BREAKER

----- EXISTING
————— NEW

1 DIAGRAM NTS

NO.	DATE	ENG.	BY	SUBJECT
0	20140702	E.K.	K.T.	ISSUED FOR TENDER
REVISIONS				



ASSOCIATION OF PROFESSIONAL ENGINEERS AND GEOSCIENTISTS OF SASKATCHEWAN
CERTIFICATE OF AUTHORIZATION
ASSOCIATED ENGINEERING (SASK.) LTD.
NUMBER C116
PERMISSION TO CONSULT HELD BY
DISCIPLINE: ELECTRICAL SASK. REG. NO. SIGNATURE: *Electrical 06705 K. Tuma*



PROJECT No.	20134373
SCALE	AS SHOWN
DRAWN	K. TUMA
DESIGNED	D. SHYMKO

PARKS CANADA
PRINCE ALBERT NATIONAL PARK
ELECTRICAL
EXISTING PANEL D (A)

BEAVER GLEN CAMPGROUND CAMPSITE ELECTRICAL EXPANSION		
DRAWING NUMBER	REV. NO.	SHEET
20134373-00-608	0	08