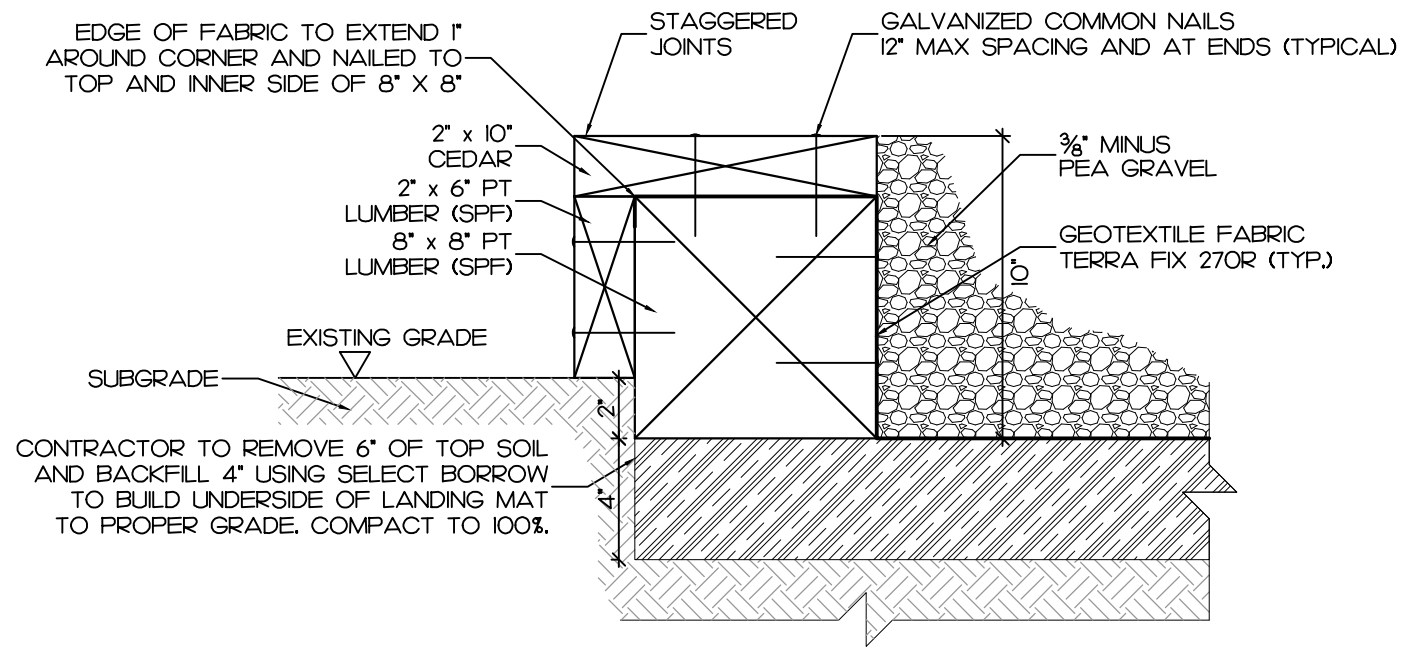
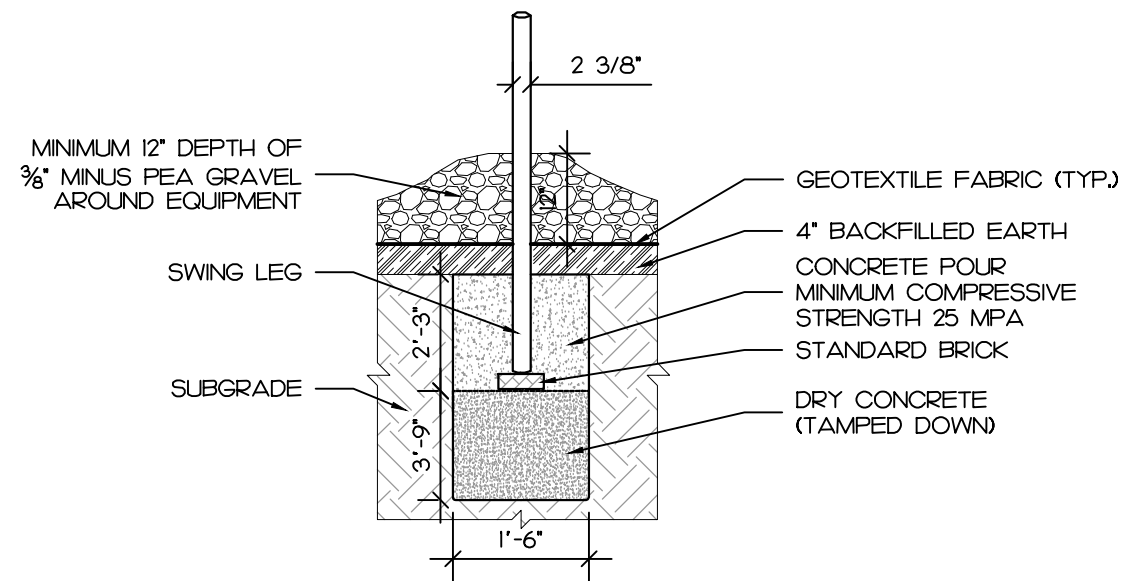


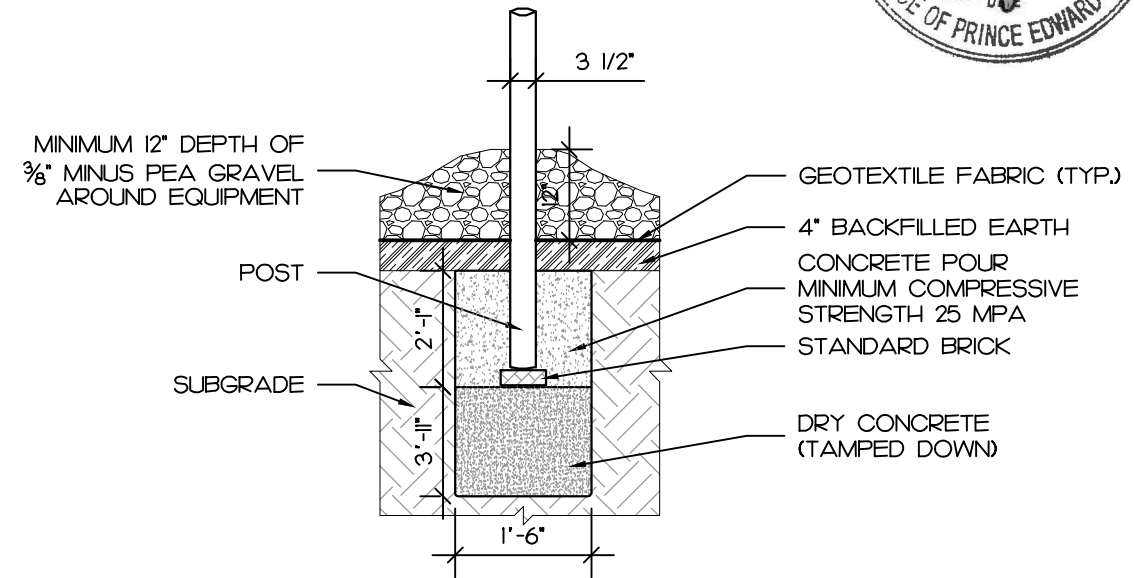
- NOTE:**
1. ALL PRESSURE TREATED WOOD TO CSA 0141.
 2. ALL PRESERVATIVE TO CSA 080.
 3. APPLY ACCEPTABLE PRESERVATIVE TO ALL PRESSURE TREATED CUT ENDS.



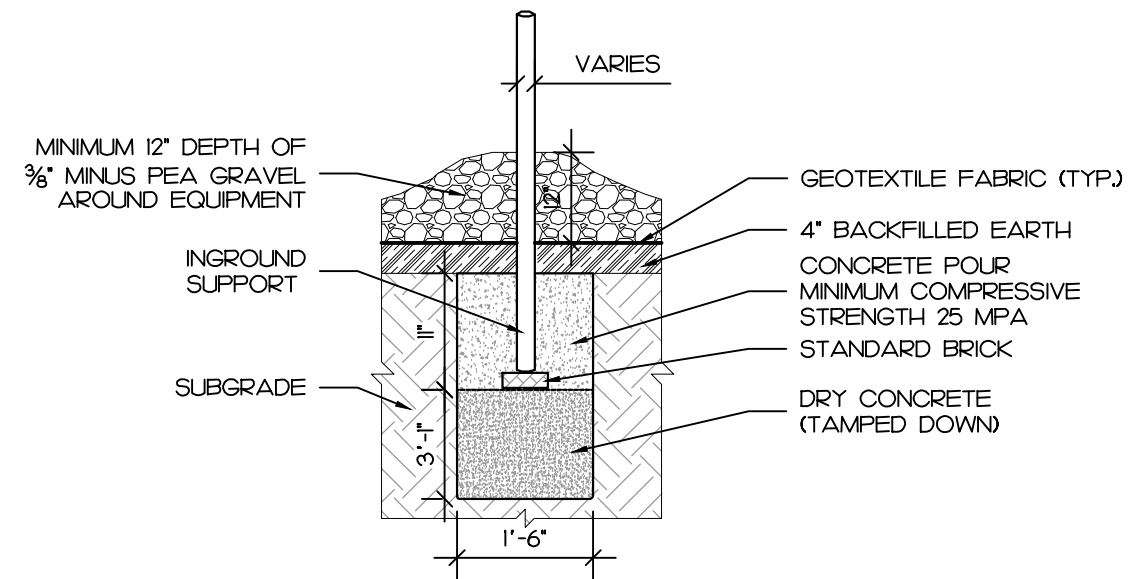
1 LANDING MAT DETAIL
N.T.S.



3 SWING LEG FOOTING DETAIL
N.T.S.



2 PLAY STRUCTURE POST FOOTING DETAIL
N.T.S.



4 PLAY EVENT FOOTING DETAIL
N.T.S.



www.colesassociates.com

Fax (902) 566-3768

Phone (902) 368-2300

Charlottetown, P.E.I., Canada, C1A 7L3

DATE: July 2014

REVISIONS:

SHEET TITLE

PROJECT TITLE

CLIENT

DRAWN BY: S.P.M.

PROJECT NUMBER:

Details

National Park
Playgrounds

Parks Canada

DRAWING NUMBER:

1 TENDER

141049

31 JULY 2014

C7

