

Half Plan of Stacker Guys
 NOTE: Initial stress in forward guys 3000 lbs. Sag = 5" approx.
 Initial stress in aft guys 12000 lbs. Sag = 5" approx.
 When cables are tightened to these initial stresses 5" to 6" of takeup should be left on adjustable sockets.

- REFERENCES:**
- Equalizing Sheaves Drawing No. 5264
 - Brackets for Guys " " 8527
 - " " " " 8528
 - Susp. Cable Spreaders " " 8529
 - Link for Suspension " " 8534
 - Guy Support Details " " 8534

YUKON CONS. GOLD CORR LTD.	
DANSON Y.T.	
DREDGE & RECONSTRUCTION	
STACKER SUSPENSION & GUY CABLE	

Drawn by H.V.S.W. Scales: 1/4" = 1'-0"
 Date: March 11, 1941
 Checked by H.V.S.W. No 8526

3.A29.248

SUSAN HUM-HARTLEY
 Director General
 Real Property Services for
 Parks Canada
 Heritage Conservation Program
 Directeur général
 Services immobiliers pour
 Parcs Canada
 Programme pour la
 conservation du patrimoine

Prepared By
 Real Property Services
 For Parks Canada
 Heritage Conservation Program
 Préparé par
 Services immobiliers
 pour Parcs Canada
 Programme pour la
 conservation du patrimoine

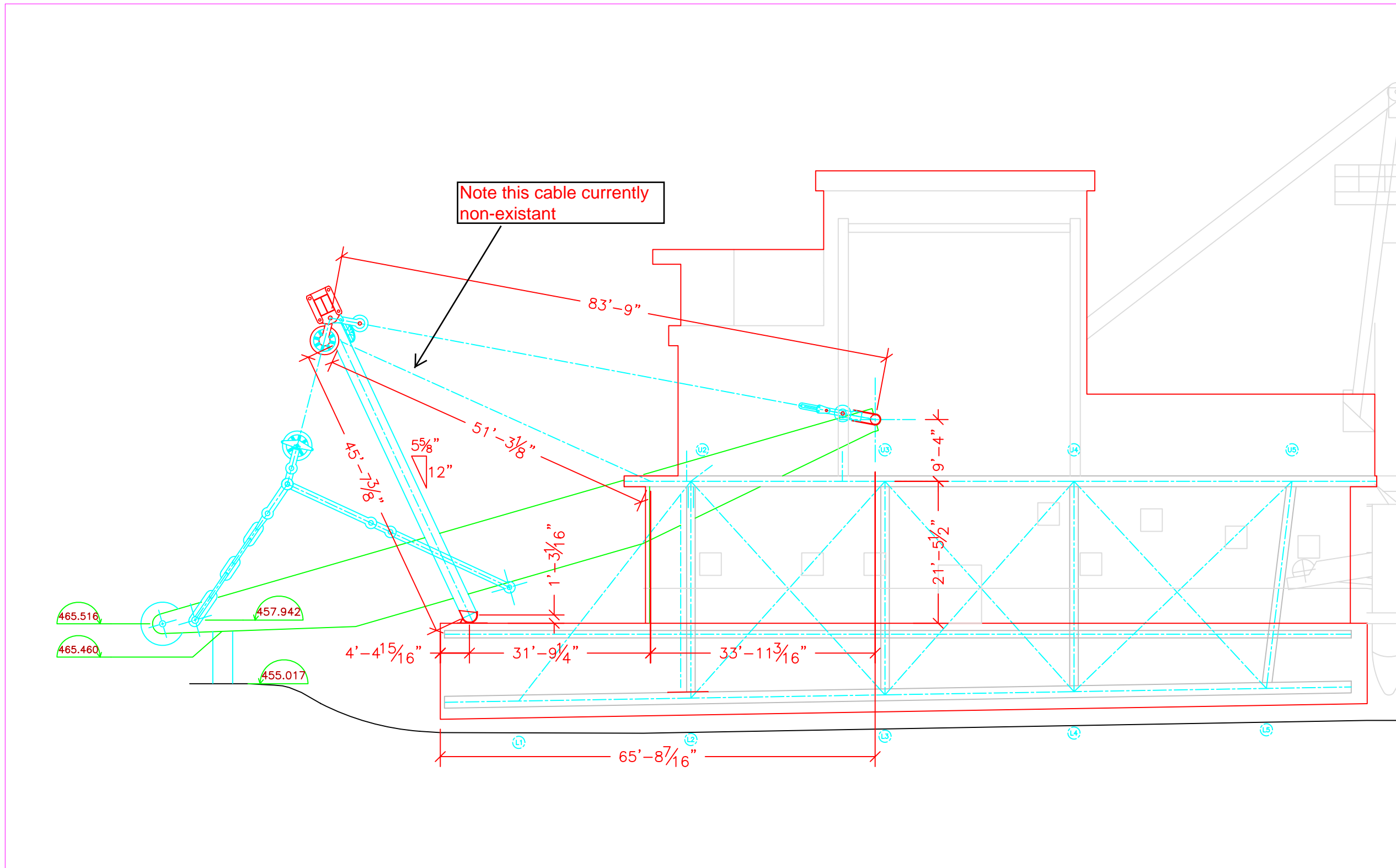
revisions	date

A	A detail no. no du détail	A
B	B detail location empl. des détail	B
C	C key location empl. clé	C

project
**DREDGE No4
 BOW GANTRY**

drawing
**BOW GANTRY, STRUT
 AND STANDING
 RIGGING OVERALL
 DIMENSIONS**

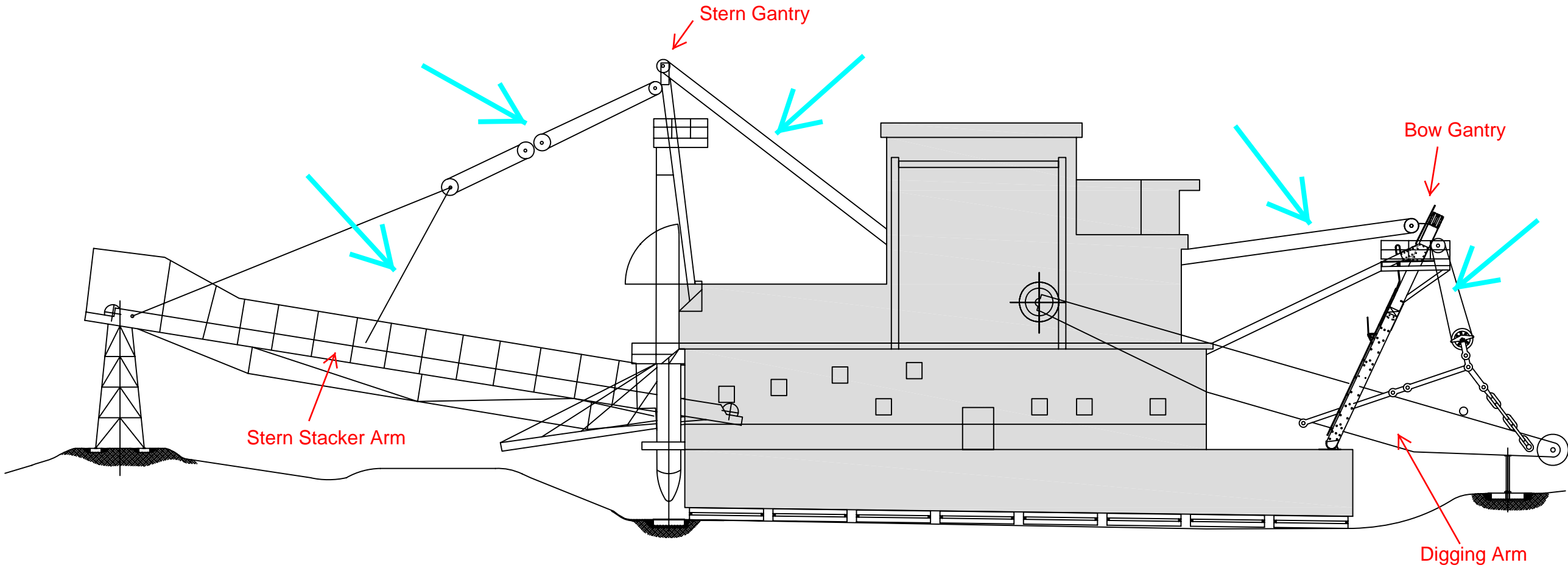
designed/recorded	conçu/relevé
date	date
drawn M. FILION	dessiné
date JUNE 2002	date
reviewed G. VAN RIJN	examiné
date JUNE 2002	date
approved	approuvé
date	date
Tender	Soumission
Project Manager	Gestionnaire du projet
client proj. no.	no de projet du client
	###
HCP project no.	no de projet du PCP
	###
drawing no.	no. du dessin
	02



01 BOW GANTRY, STRUT, AND
 STANDING RIGGING ELEVATION
02/02 SCALE 1/16"=1'

LAYERS FROZEN - X-VIEW
 PROJECT DIRECTORY - H:\FUSC\WINNPEG\DREDGE\2_PLADES\2.2_Bow Gantry\DWG\wrk\Gantry_Reassembly
 DATE PLOTTED - DD/MM/YY
 PERCENT COMPLETED - %?
 1:1
 MF
 SCALE OF PLOT -
 PERSON PLOTTING -
 02-Reassembly.dwg
 PLOT
 DRAWING NAME -
 VIEW PLOTTED -

Cables of interest shown by blue arrows



DREDGE #4 SCHEMATIC