

APPENDIX 1 CANINE VEST SKETCHES

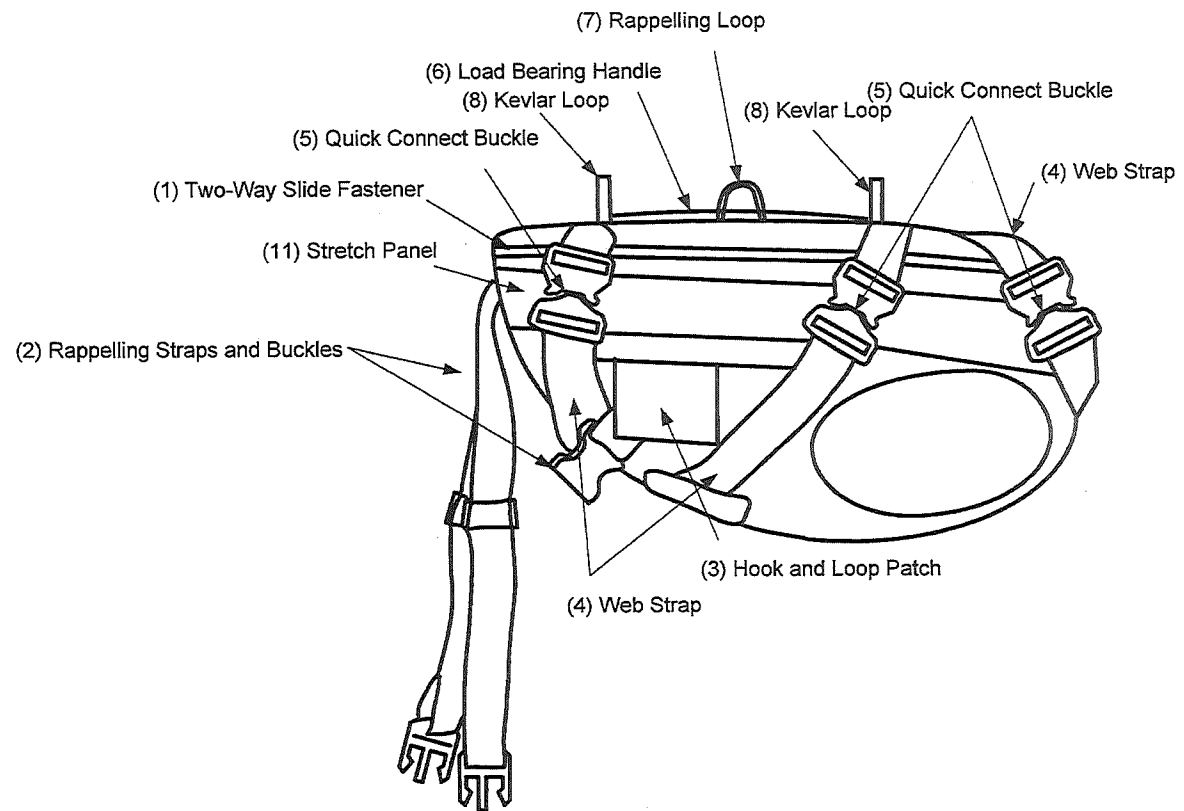


Figure 1: Canine Vest (Right Side)

APPENDIX 1 to ANNEX B

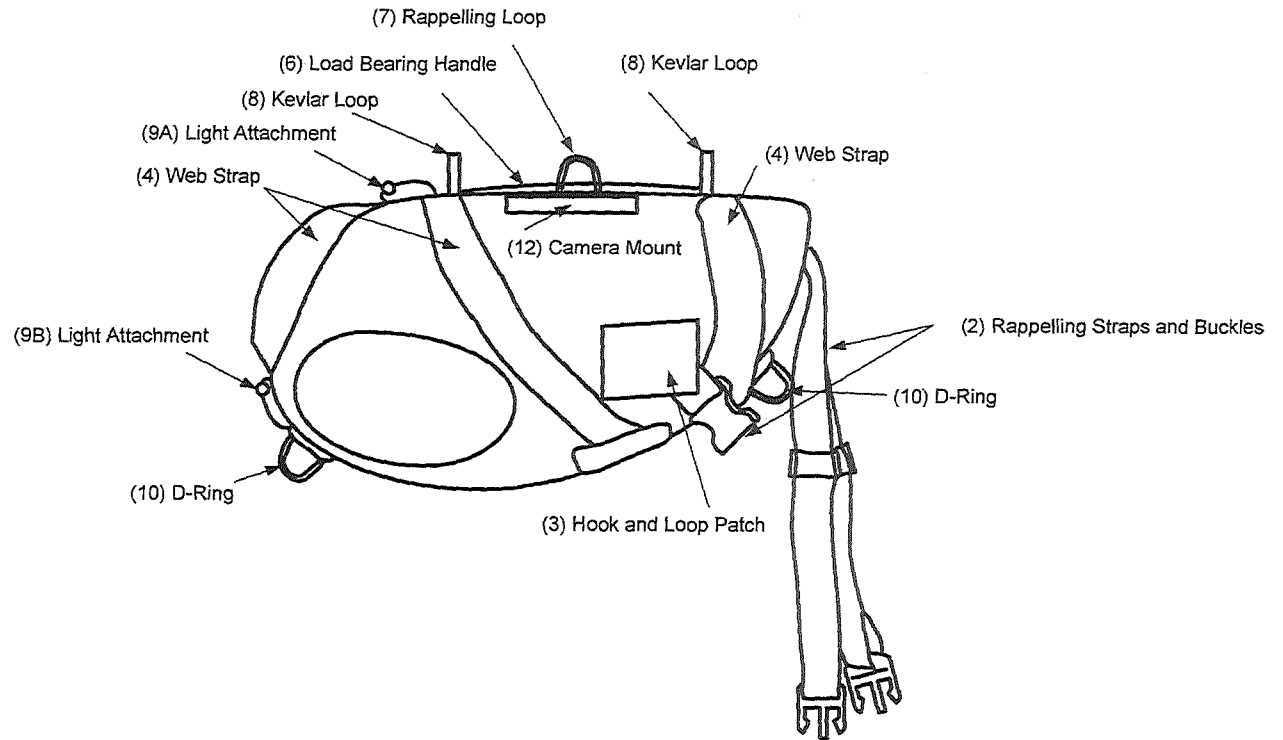


Figure 2: Canine Vest (Left Side)