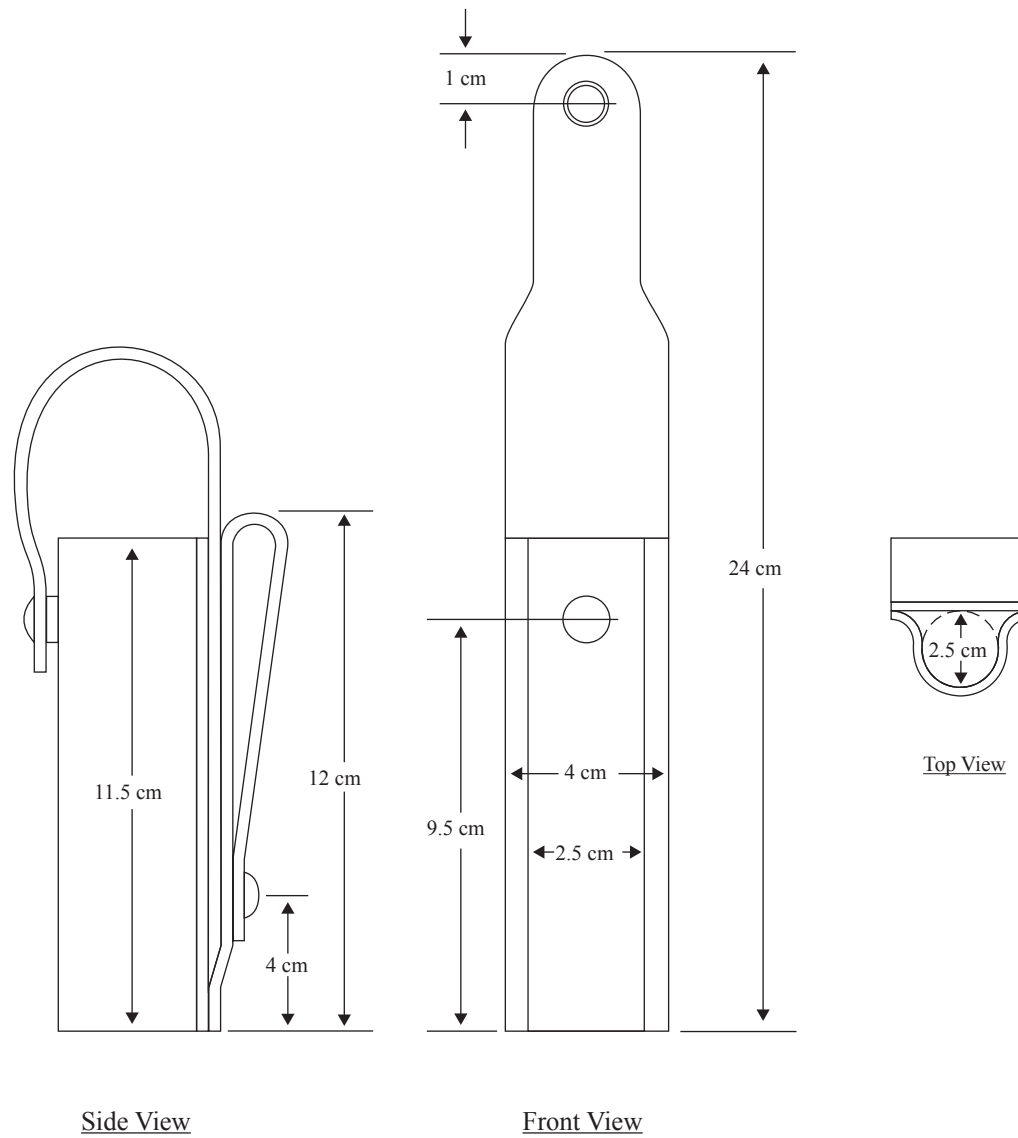


Dwg. 1



Dwg. 1

Dimension tolerance of +1.5 mm
NOT TO SCALE