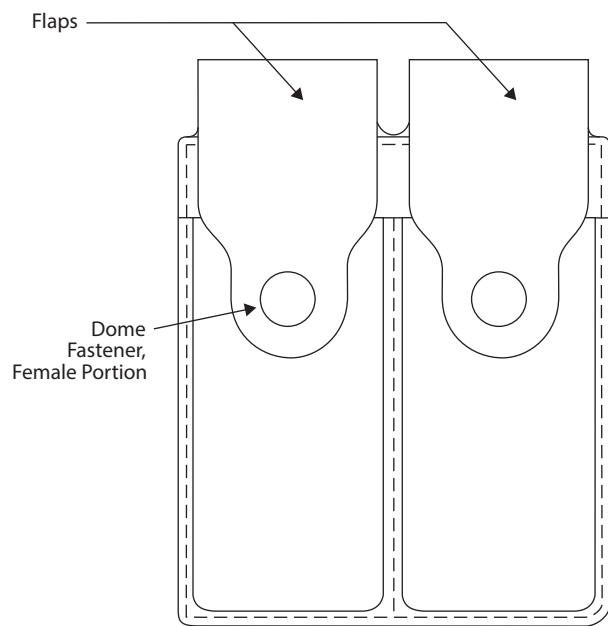


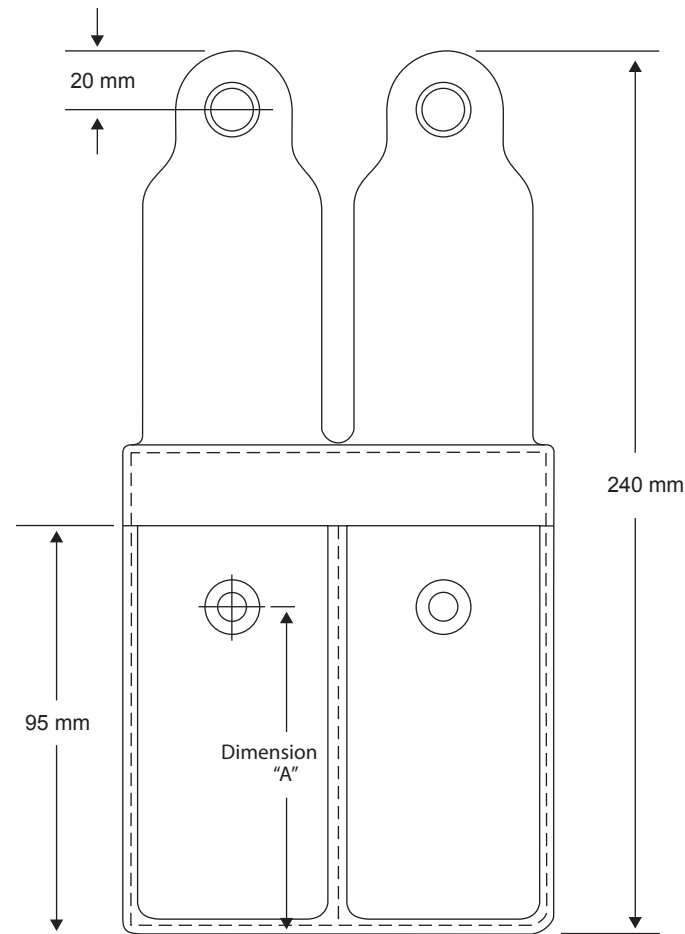
POUCH, MAGAZINE, DOUBLE, LEATHER
 (for Full and Compact size
 Semi-Automatic Pistols)

G.S.1045-259E

Dwg. 1



Front View



Front View
 (shown with flaps open)

| Holder Model | Dimension "A" |
|--------------------------------------|---------------|
| Type I (Compact Pistol Magazines) | 62 mm |
| Type II (Full Size Pistol Magazines) | 82 mm |

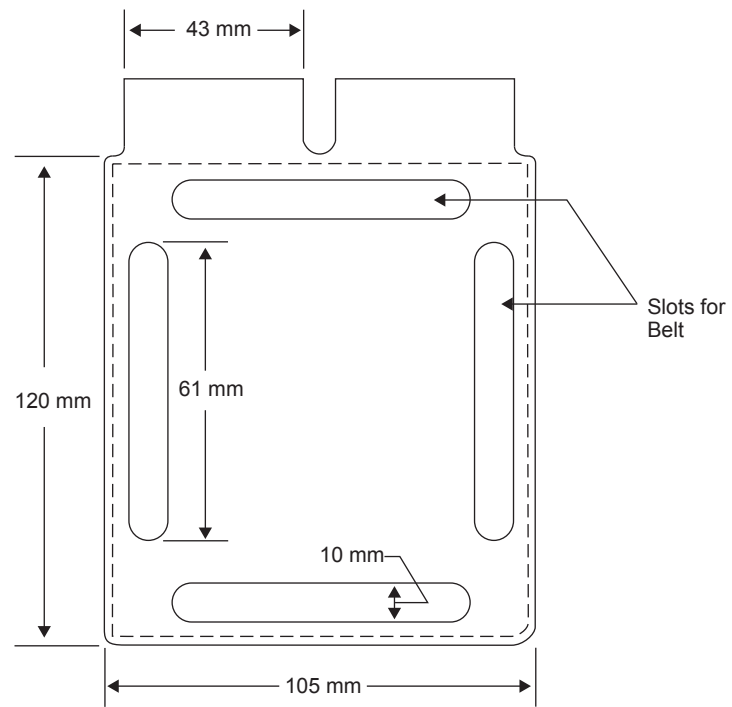
Dwg. 1

Dimension tolerance of +/- 1.5 mm with the exception of the belt slot length, +1.5 mm only
 NOT TO SCALE

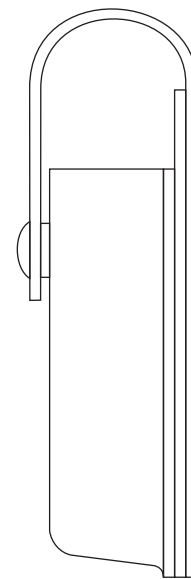
POUCH, MAGAZINE, DOUBLE, LEATHER
 (for Full and Compact size
 Semi-Automatic Pistols)

G.S.1045-259E

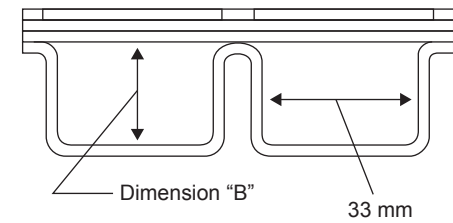
Dwg. 2



Rear View



Side View



Top View

| Holder Model | Dimension "B" |
|--------------------------------------|---------------|
| Type I (Compact Pistol Magazines) | 15 mm |
| Type II (Full Size Pistol Magazines) | 18 mm |

Dwg. 2

Dimension tolerance of +/- 1.5 mm with the exception of the belt slot length, +1.5 mm only
 NOT TO SCALE