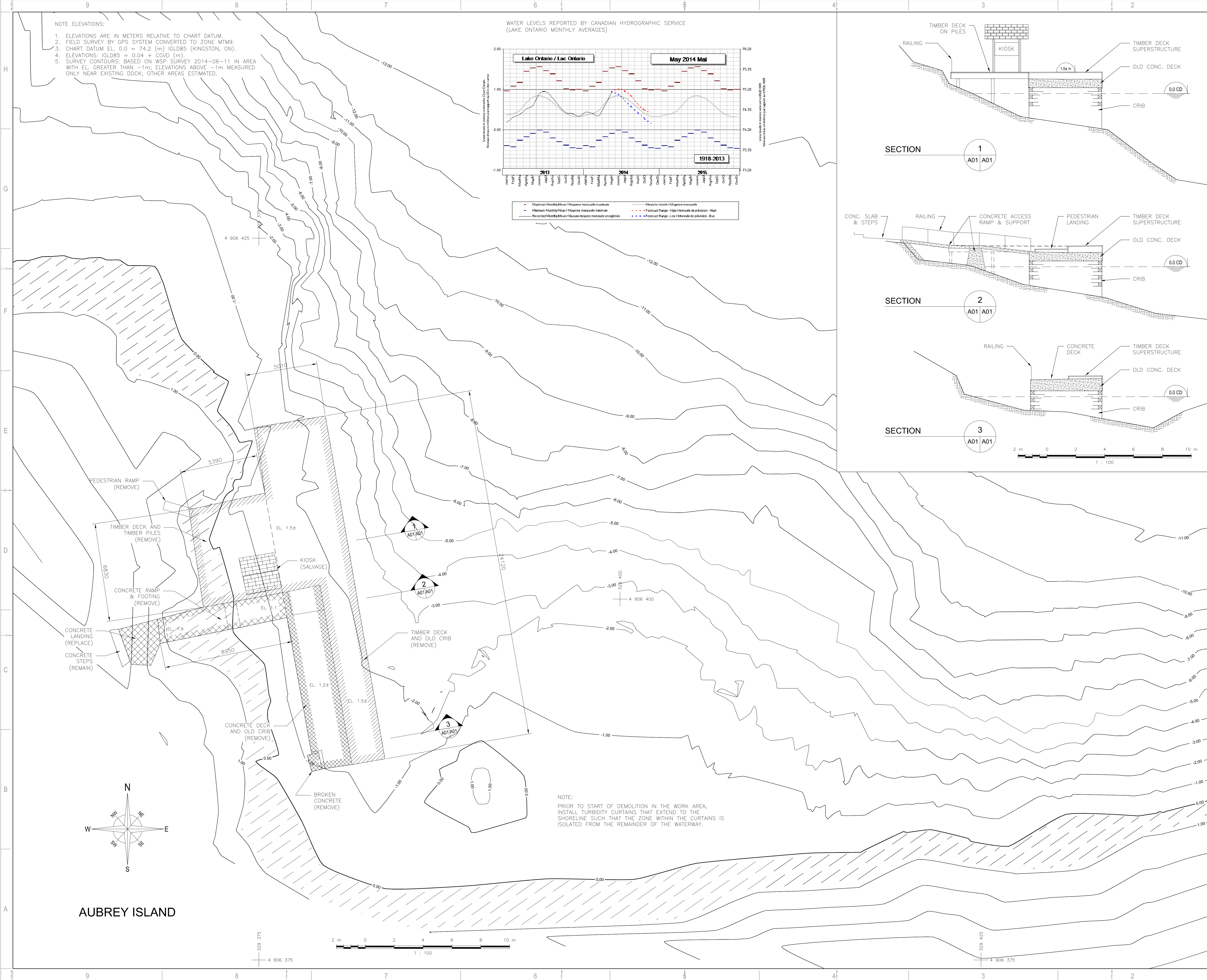
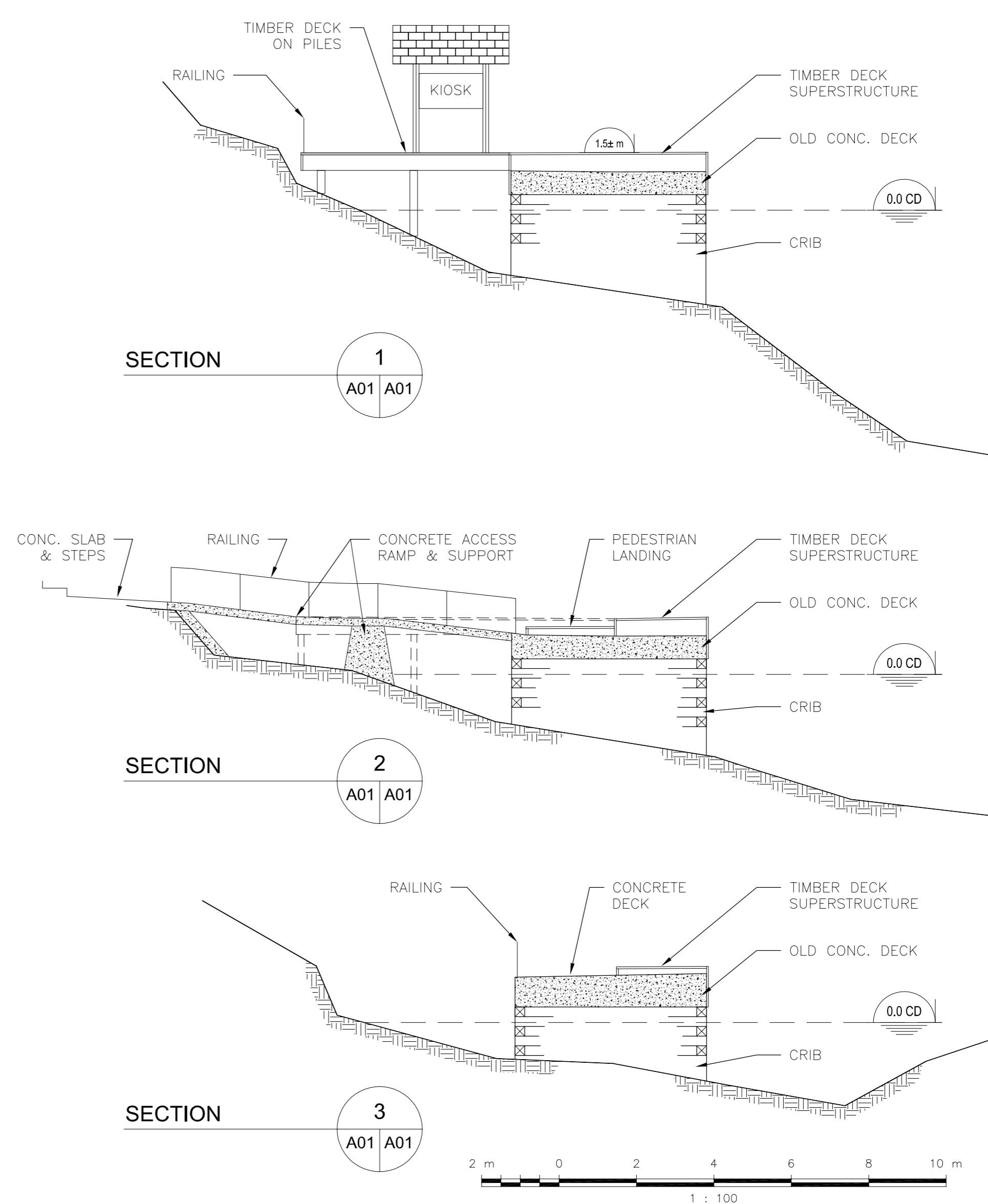
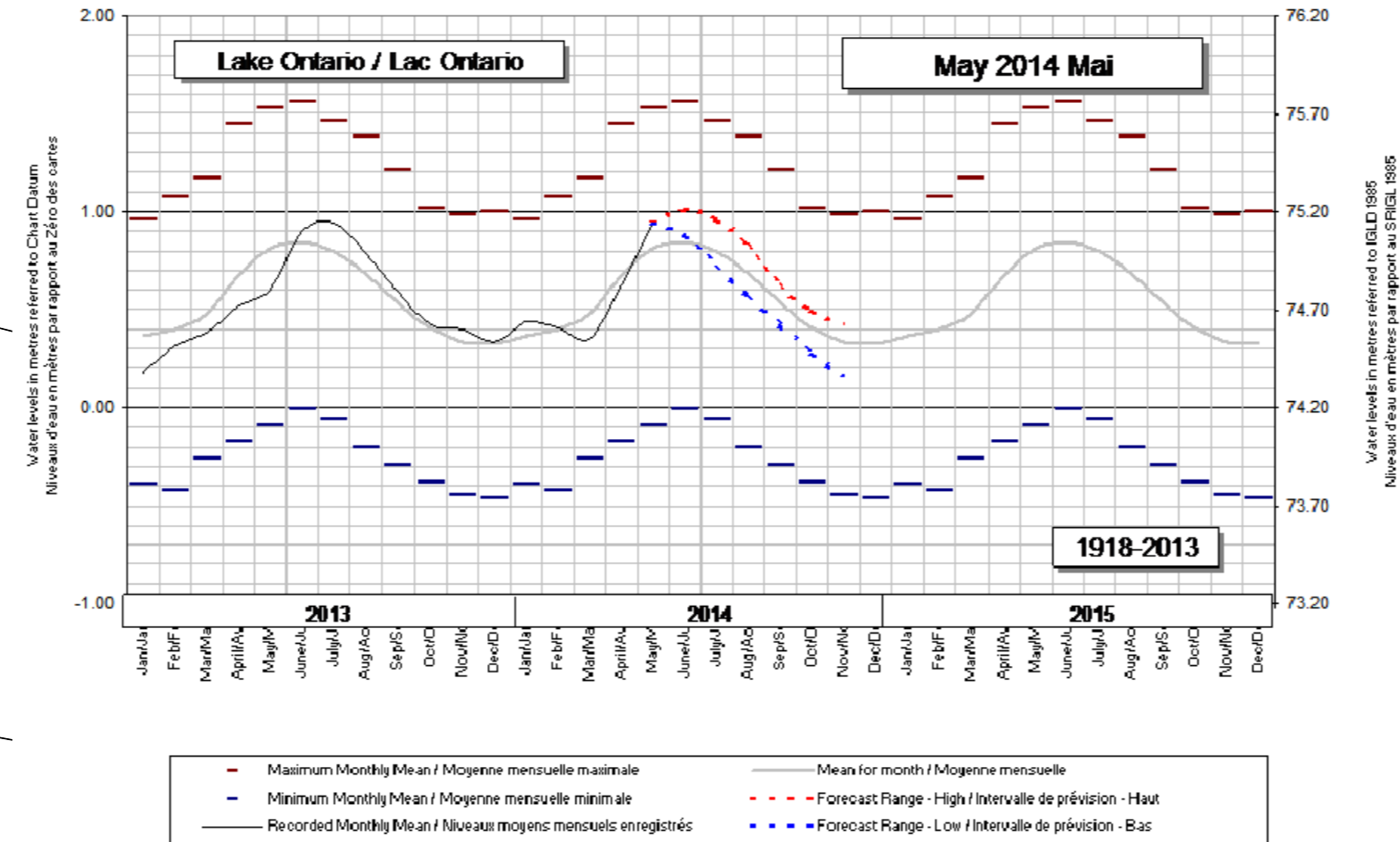


- NOTE ELEVATIONS:
- ELEVATIONS ARE IN METERS RELATIVE TO CHART DATUM.
  - FIELD SURVEY BY GPS SYSTEM CONVERTED TO ZONE MTM9.
  - CHART DATUM EL. 0.0 = 74.2 (m) IGLD85 (KINGSTON, ON).
  - ELEVATIONS: IGLD85 = 0.04 + CGVD (m).
  - SURVEY CONTOURS: BASED ON WSP SURVEY 2014-06-11 IN AREA WITH EL. GREATER THAN -1m; ELEVATIONS ABOVE -1m MEASURED ONLY NEAR EXISTING DOCK; OTHER AREAS ESTIMATED.

WATER LEVELS REPORTED BY CANADIAN HYDROGRAPHIC SERVICE (LAKE ONTARIO MONTHLY AVERAGES)



NOTE:  
PRIOR TO START OF DEMOLITION IN THE WORK AREA, INSTALL TURBIDITY CURTAINS THAT EXTEND TO THE SHORELINE SUCH THAT THE ZONE WITHIN THE CURTAINS IS ISOLATED FROM THE REMAINDER OF THE WATERWAY.



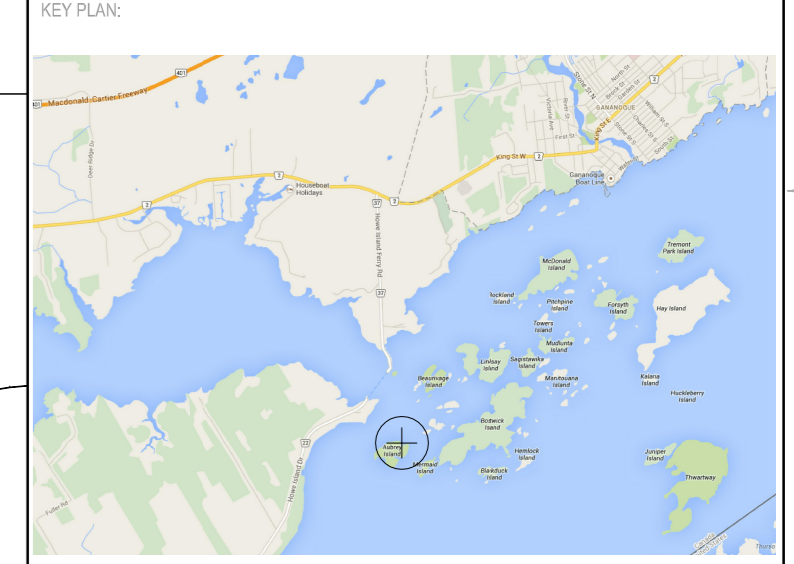
300-2811 QUEENSWAY DRIVE  
OTTAWA ONTARIO CANADA K2B 8K2  
TEL: 613-829-2800 FAX: 613-829-6299 | WWW.WSPGROUP.COM

CONSULTANT - SUB-CONSULTANT:  
CONSULTANT - SUB-CONSULTANT:  
SEAL:



CLIENT:  
**THOUSAND ISLANDS NATIONAL PARK  
PARKS CANADA AGENCY  
MALLORYTOWN, ON**

CLIENT REF # E00CC-140022  
PROJECT:  
**RECONFIGURATION &  
RECONSTRUCTION  
OF DOCKS AT  
AUBREY ISLAND  
& CEDAR ISLAND**



DISCLAIMER:  
THIS DRAWING AND DESIGN IS COPYRIGHT PROTECTED WHICH SHALL NOT BE USED, REPRODUCED OR RELIED UPON WITHOUT WRITTEN PERMISSION BY WSP CANADA INC. THE CONTRACTOR SHALL CHECK AND VERIFY ALL DIMENSIONS AND UTILITY LOCATIONS AND REPORT ALL ERRORS AND OMISSIONS PRIOR TO COMMENCING WORK. THIS DRAWING IS NOT TO BE SCALED.

REVISION FOR - REVISION:

REV.	REV.	DATE	DESCRIPTION

PROJECT NO: 141-17983-00  
DATE: 2014-06  
DESIGNED BY: E. DE CURTIS, P.ENG.  
DRAWN BY: C. GLODOWSKI  
CHECKED BY: E. DE CURTIS, P.ENG.  
DISCIPLINE: HARBOUR ENGINEERING

TITLE:  
**EXISTING CONDITIONS  
& DEMOLITION  
AUBREY ISLAND**

SHEET NUMBER: A01  
SHEETS: 1 OF 7  
TENDER DATE OF: 2014-08-20  
REV. # 0

CONSULTANT - SUB-CONSULTANT:

CONSULTANT - SUB-CONSULTANT:

SEAL:



CLIENT:

**THOUSAND ISLANDS NATIONAL PARK  
PARKS CANADA AGENCY  
MALLORYTOWN, ON**

CLIENT REF: # EDDCC-140022

PROJECT:

**RECONFIGURATION &  
RECONSTRUCTION  
OF DOCKS AT  
AUBREY ISLAND  
& CEDAR ISLAND**

REV PLAN:

DISCLAIMER: THIS DRAWING AND DESIGN IS COPYRIGHTED BY WSP GROUP INC. AND SHALL NOT BE REPRODUCED OR TRANSMITTED IN ANY FORM OR BY ANY MEANS, ELECTRONIC OR MECHANICAL, INCLUDING PHOTOCOPYING, RECORDING, OR BY ANY INFORMATION STORAGE AND RETRIEVAL SYSTEM, WITHOUT THE WRITTEN PERMISSION OF WSP GROUP INC. THE CONTRACTOR SHALL CHECK AND VERIFY ALL DIMENSIONS AND UTILITY LOCATIONS AND REPORT ALL ERRORS AND OMISSIONS PRIOR TO COMMENCING WORK. THIS DRAWING IS NOT TO BE SCALED.

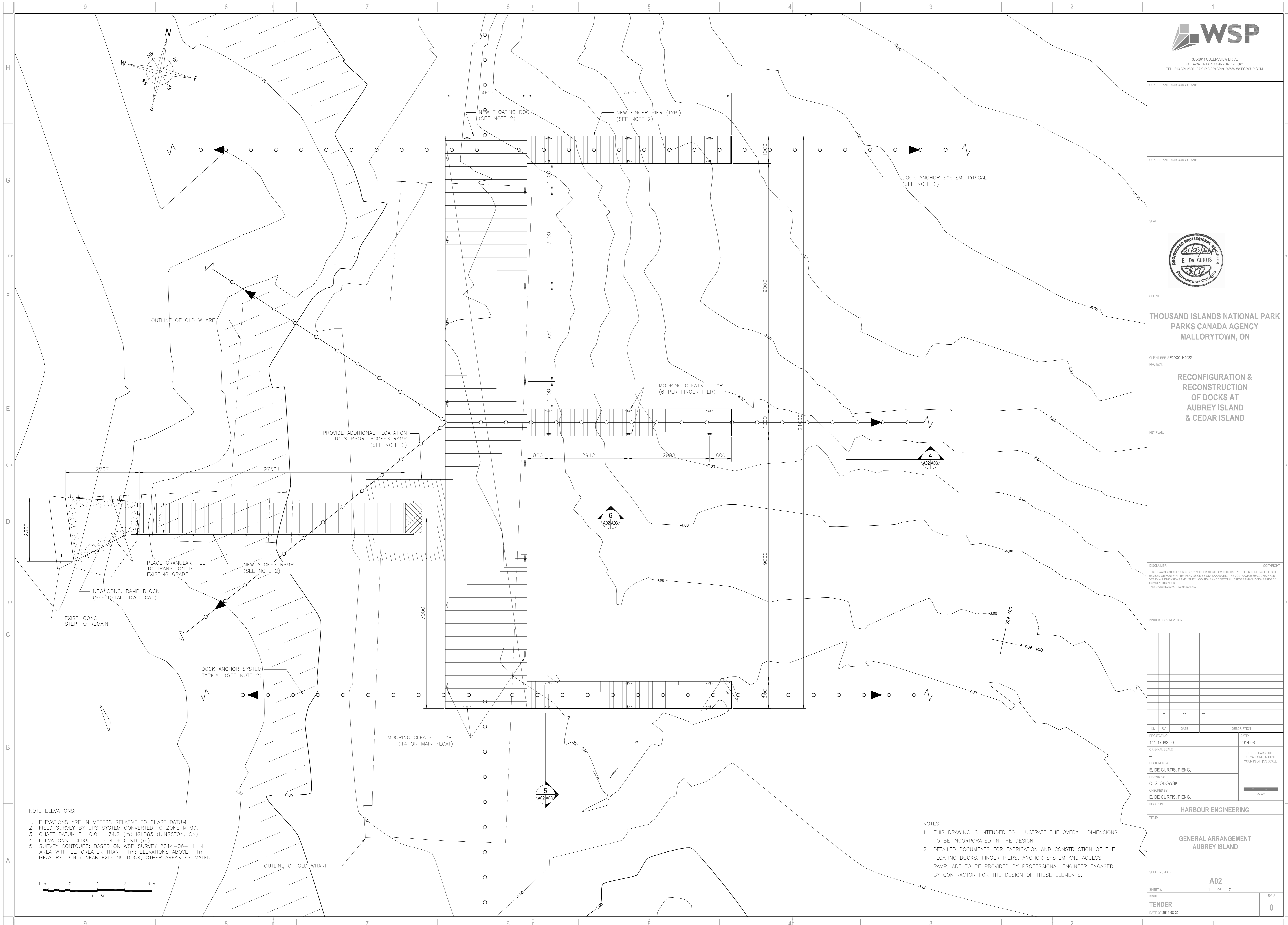
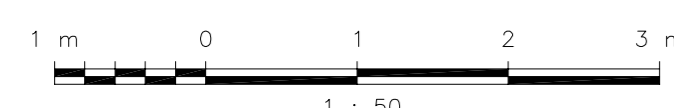
REVISIONS FOR - REVISION:

REV.	DATE	DESCRIPTION

PROJECT NO:	141-17983-00	DATE:	2014-06
DESIGNED BY:	E. DE CURTIS, P. ENG.	DRAWN BY:	C. GLODOWSKI
CHECKED BY:	E. DE CURTIS, P. ENG.	DISCIPLINE:	HARBOUR ENGINEERING
TITLE:		GENERAL ARRANGEMENT AUBREY ISLAND	
SHEET NUMBER:		A02	
SHEETS:		1 OF 7	
TENDER:		0	
DATE OF:		2014-08-20	

NOTES:  
1. THIS DRAWING IS INTENDED TO ILLUSTRATE THE OVERALL DIMENSIONS TO BE INCORPORATED IN THE DESIGN.  
2. DETAILED DOCUMENTS FOR FABRICATION AND CONSTRUCTION OF THE FLOATING DOCKS, FINGER PIERS, ANCHOR SYSTEM AND ACCESS RAMP, ARE TO BE PROVIDED BY PROFESSIONAL ENGINEER ENGAGED BY CONTRACTOR FOR THE DESIGN OF THESE ELEMENTS.

NOTE ELEVATIONS:  
1. ELEVATIONS ARE IN METERS RELATIVE TO CHART DATUM.  
2. FIELD SURVEY BY GPS SYSTEM CONVERTED TO ZONE MTM9.  
3. CHART DATUM EL. 0.0 = 74.2 (m) IGLD85 (KINGSTON, ON).  
4. ELEVATIONS: IGLD85 = 0.04 + CGVD (m).  
5. SURVEY CONTOURS: BASED ON WSP SURVEY 2014-06-11 IN AREA WITH EL. GREATER THAN -1m. ELEVATIONS ABOVE -1m MEASURED ONLY NEAR EXISTING DOCK; OTHER AREAS ESTIMATED.



CONSULTANT - SUB-CONSULTANT

CONSULTANT - SUB-CONSULTANT

SEAL:



CLIENT:

THOUSAND ISLANDS NATIONAL PARK  
PARKS CANADA AGENCY  
MALLORYTOWN, ON

CLIENT REF: # E80CC-140022

PROJECT:

RECONFIGURATION &  
RECONSTRUCTION  
OF DOCKS AT  
AUBREY ISLAND  
& CEDAR ISLAND

KEY PLAN:

DISCLAIMER:

THIS DRAWING AND DESIGN IS COPYRIGHT PROTECTED AND SHALL NOT BE USED, REPRODUCED OR  
COPIED WITHOUT WRITTEN PERMISSION BY WSP CANADA INC. THE CONTRACTOR SHALL CHECK AND  
VERIFY ALL DIMENSIONS AND UTILITY LOCATIONS AND REPORT ALL ERRORS AND OMISSIONS PRIOR TO  
CONSTRUCTION WORK.  
THIS DRAWING IS NOT TO BE SCALED.

ISSUED FOR - REVISION:

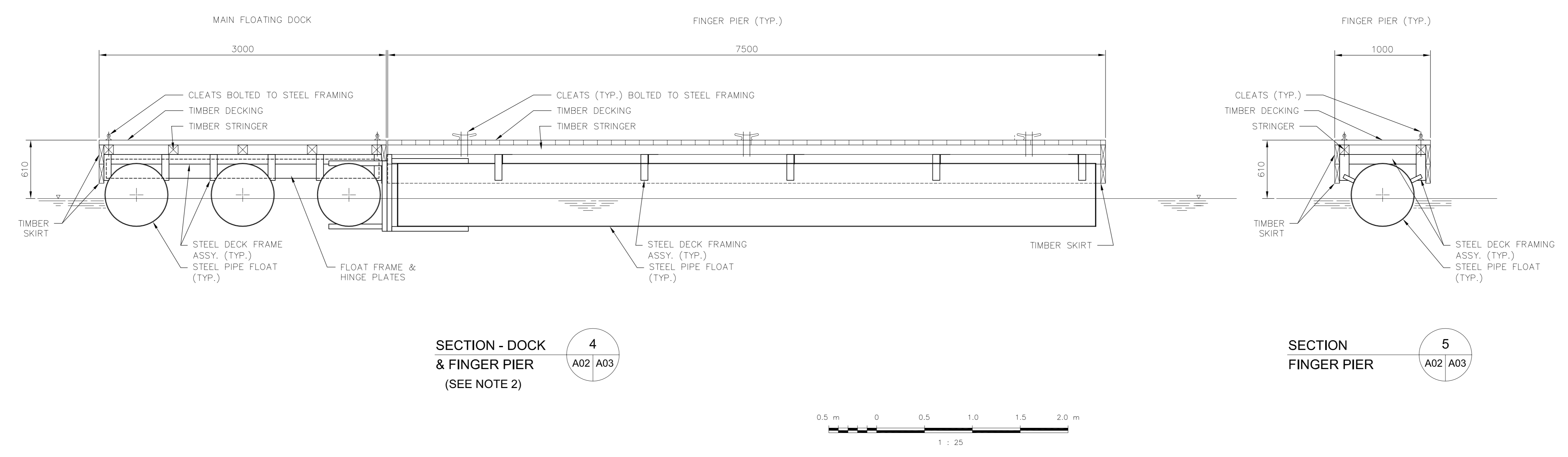
NO.	BY	DATE	DESCRIPTION

PROJECT NO: 141-17983-00	DATE: 2014-06
DESIGNED BY: E. DE CURTIS, P.ENG.	IF THIS BAR IS NOT 25 mm LONG, ADJUST YOUR PLOTTING SCALE.
DRAWN BY: C. GLODOWSKI	
CHECKED BY: E. DE CURTIS, P.ENG.	25 mm

DISCIPLINE: HARBOUR ENGINEERING	
TITLE: ARRANGEMENTS OF NEW DOCKS, RAMP AND BLOCK AUBREY ISLAND	
SHEET NUMBER: A03	SV #
ISSUE: TENDER	0
DATE OF: 2014-08-20	

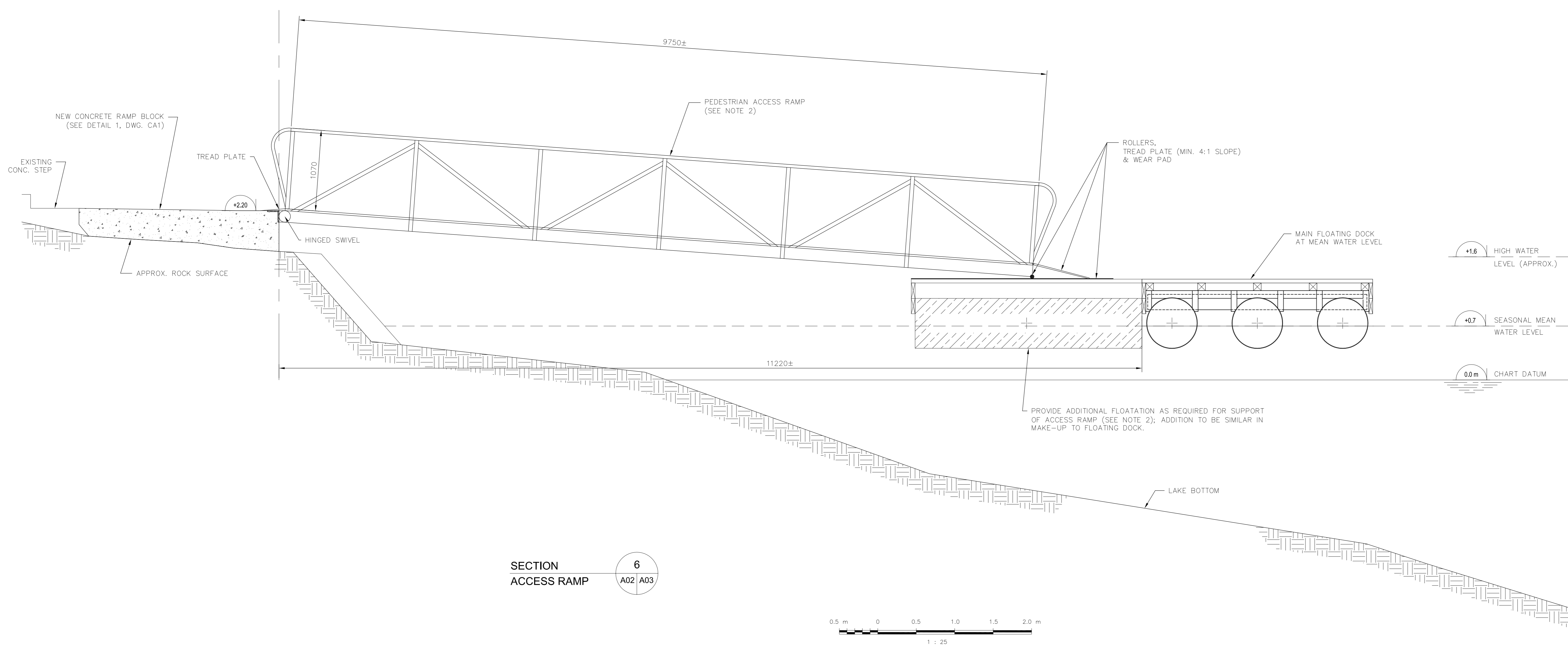
NOTES:

1. THIS DRAWING IS INTENDED TO ILLUSTRATE THE OVERALL DIMENSIONS TO BE INCORPORATED IN THE DESIGN.
2. DETAILED DOCUMENTS FOR FABRICATION AND CONSTRUCTION OF THE FLOATING DOCKS, FINGER PIERS, ANCHOR SYSTEM AND ACCESS RAMP, ARE TO BE PROVIDED BY PROFESSIONAL ENGINEER ENGAGED BY CONTRACTOR FOR THE DESIGN OF THESE ELEMENTS.



NOTES:

1. THIS DRAWING IS INTENDED TO ILLUSTRATE THE OVERALL DIMENSIONS TO BE INCORPORATED IN THE DESIGN.
2. DETAILED DOCUMENTS FOR FABRICATION AND CONSTRUCTION OF THE FLOATING DOCKS, FINGER PIERS, ANCHOR SYSTEM AND ACCESS RAMP, ARE TO BE PROVIDED BY PROFESSIONAL ENGINEER ENGAGED BY CONTRACTOR FOR THE DESIGN OF THESE ELEMENTS.



CONSULTANT - SUB-CONSULTANT:

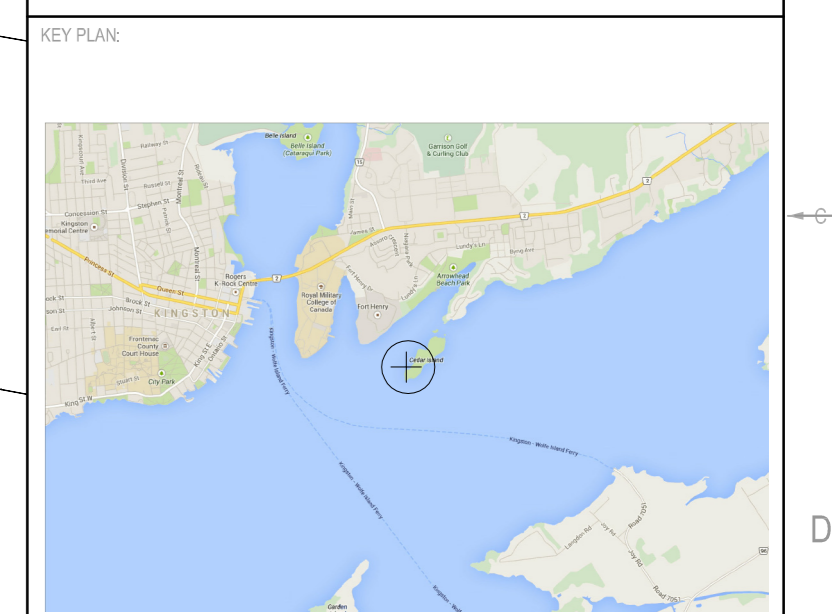
CONSULTANT - SUB-CONSULTANT:



CLIENT:  
**THOUSAND ISLANDS NATIONAL PARK  
PARKS CANADA AGENCY  
MALLORYTOWN, ON**

CLIENT REF: # E00CC140022

PROJECT:  
**RECONFIGURATION &  
RECONSTRUCTION  
OF DOCKS AT  
AUBREY ISLAND  
& CEDAR ISLAND**



DISCLAIMER:  
THIS DRAWING AND DESIGN IS COPYRIGHT PROTECTED WHICH SHALL NOT BE USED, REPRODUCED OR  
REVISED WITHOUT WRITTEN PERMISSION BY WSP CANADA INC. THE CONTRACTOR SHALL CHECK AND  
VERIFY ALL DIMENSIONS AND UTILITY LOCATIONS AND REPORT ALL ERRORS AND OMISSIONS PRIOR TO  
COMMENCING WORK. THIS DRAWING IS NOT TO BE SCALED.

REVISION FOR - REVISION:

NO.	REV.	DATE	DESCRIPTION

PROJECT NUMBER: 141-17983-00	DATE: 2014-06
DESIGNED BY: E. DE CURTIS, PENG.	IF THIS BAR IS NOT 25 mm LONG, ADJUST YOUR PLOTTING SCALE.
DRAWN BY: C. GLODOWSKI	
CHECKED BY: E. DE CURTIS, PENG.	

DISCIPLINE: **HARBOUR ENGINEERING**

TITLE:  
**EXISTING CONDITIONS  
& DEMOLITION  
CEDAR ISLAND**

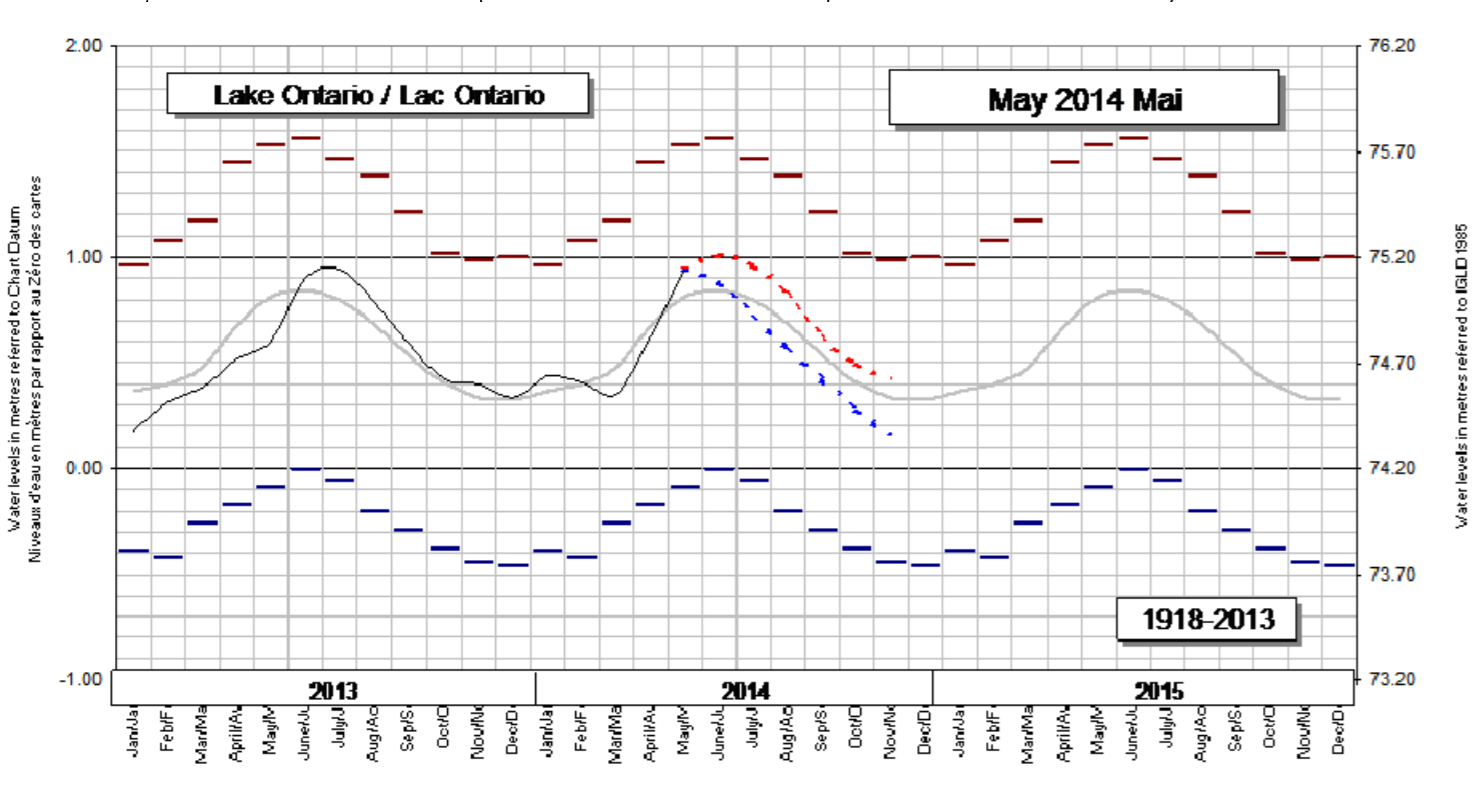
SHEET NUMBER: **C01**

TENDER: **4** OF **7**

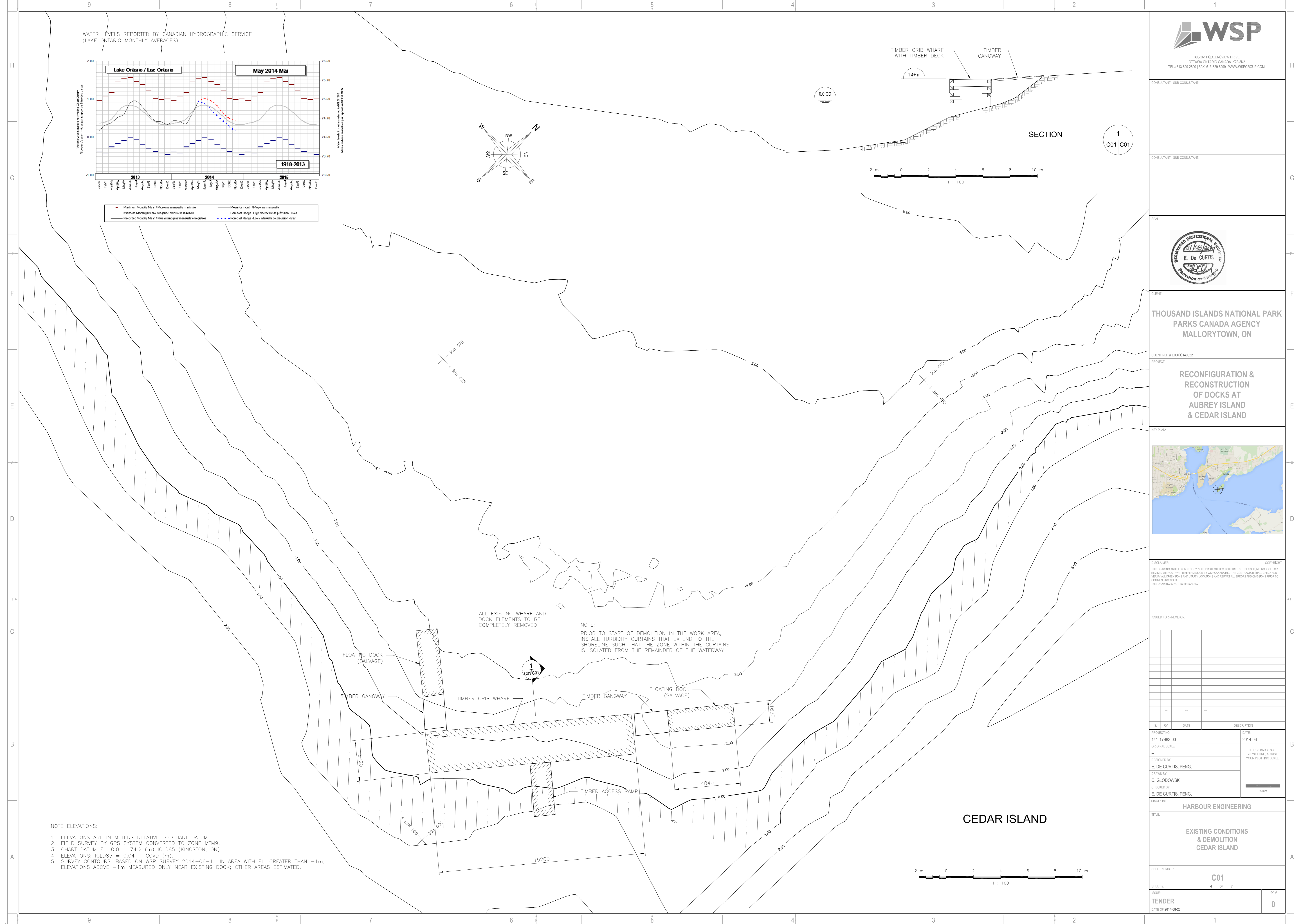
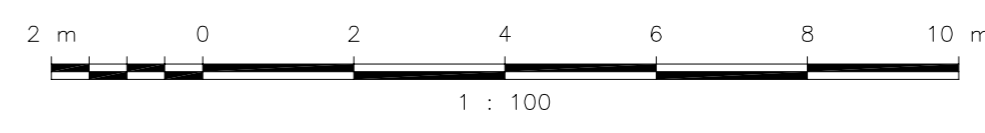
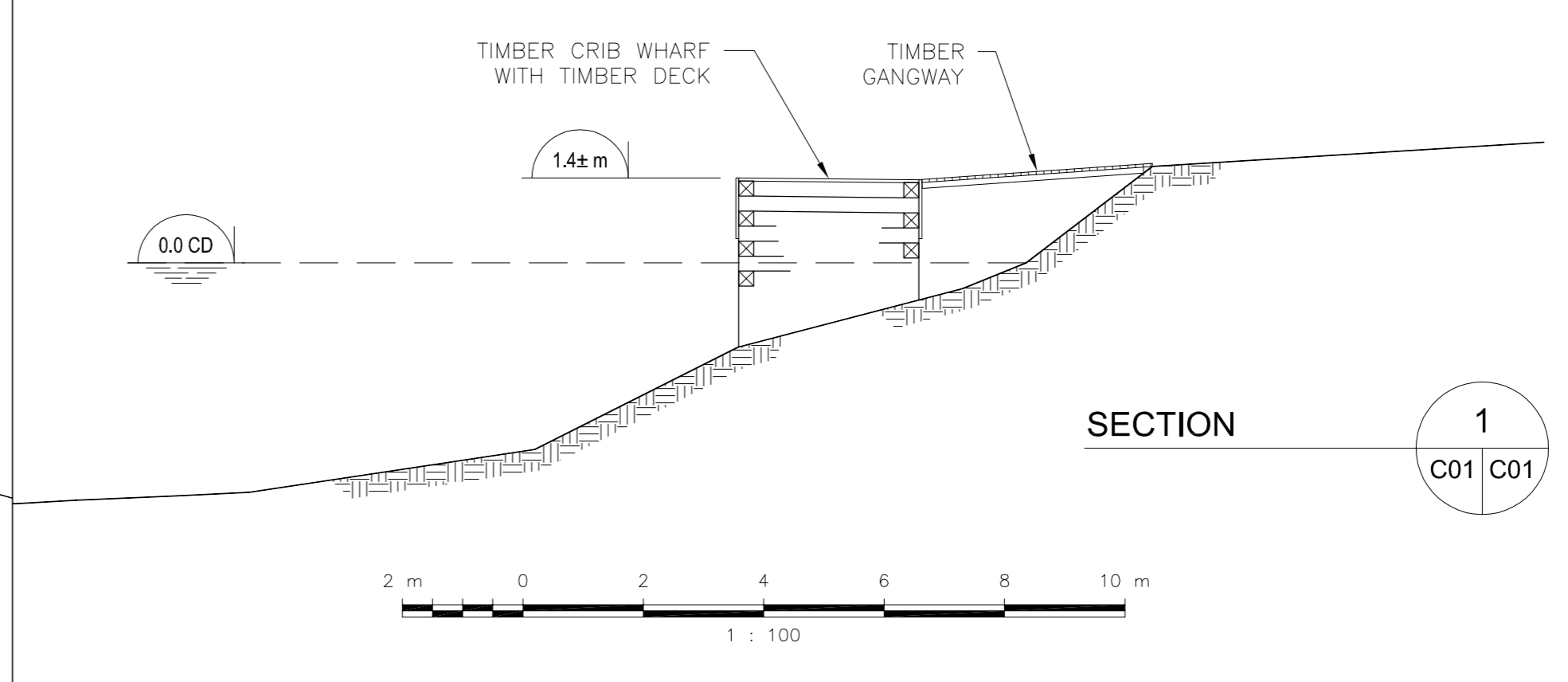
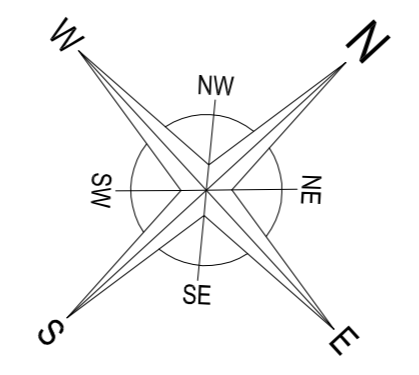
DATE OF: **2014-08-20**

REV. # **0**

WATER LEVELS REPORTED BY CANADIAN HYDROGRAPHIC SERVICE  
(LAKE ONTARIO MONTHLY AVERAGES)



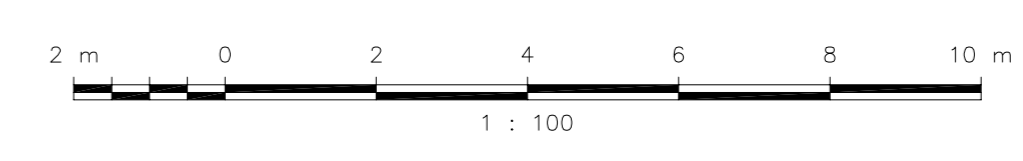
Legend for water level graph:  
 - Maximum Monthly Mean / Moyenne mensuelle maximale  
 - Minimum Monthly Mean / Moyenne mensuelle minimale  
 - Recorded Monthly Mean / Moyenne mensuelle enregistrée  
 - Forecast Range - High / Intervalle de prévision - Haut  
 - Forecast Range - Low / Intervalle de prévision - Bas



ALL EXISTING WHARF AND DOCK ELEMENTS TO BE COMPLETELY REMOVED

NOTE:  
PRIOR TO START OF DEMOLITION IN THE WORK AREA, INSTALL TURBIDITY CURTAINS THAT EXTEND TO THE SHORELINE SUCH THAT THE ZONE WITHIN THE CURTAINS IS ISOLATED FROM THE REMAINDER OF THE WATERWAY.

- NOTE ELEVATIONS:
- ELEVATIONS ARE IN METERS RELATIVE TO CHART DATUM.
  - FIELD SURVEY BY GPS SYSTEM CONVERTED TO ZONE MTM9.
  - CHART DATUM EL. 0.0 = 74.2 (m) IGLD85 (KINGSTON, ON).
  - ELEVATIONS: IGLD85 = 0.04 + CVD (m).
  - SURVEY CONTOURS: BASED ON WSP SURVEY 2014-06-11 IN AREA WITH EL. GREATER THAN -1m; ELEVATIONS ABOVE -1m MEASURED ONLY NEAR EXISTING DOCK; OTHER AREAS ESTIMATED.







CONSULTANT - SUB-CONSULTANT:

CONSULTANT - SUB-CONSULTANT:

SEAL:



CLIENT:

THOUSAND ISLANDS NATIONAL PARK  
PARKS CANADA AGENCY  
MALLORYTOWN, ON

CLIENT REF # E00CC-140022

PROJECT:

RECONFIGURATION &  
RECONSTRUCTION  
OF DOCKS AT  
AUBREY ISLAND  
& CEDAR ISLAND

REV PLAN:

DISCLAIMER: THIS DRAWING AND DESIGN IS COPYRIGHT PROTECTED WHICH SHALL NOT BE USED, REPRODUCED OR REVISED WITHOUT WRITTEN PERMISSION BY WSP CANADA INC. THE CONTRACTOR SHALL CHECK AND VERIFY ALL DIMENSIONS AND STEEL LOCATIONS AND REPORT ALL ERRORS AND OMISSIONS PRIOR TO COMMENCING WORK. THIS DRAWING IS NOT TO BE SCALED.

ISSUED FOR - REVISION:

REV	DATE	DESCRIPTION

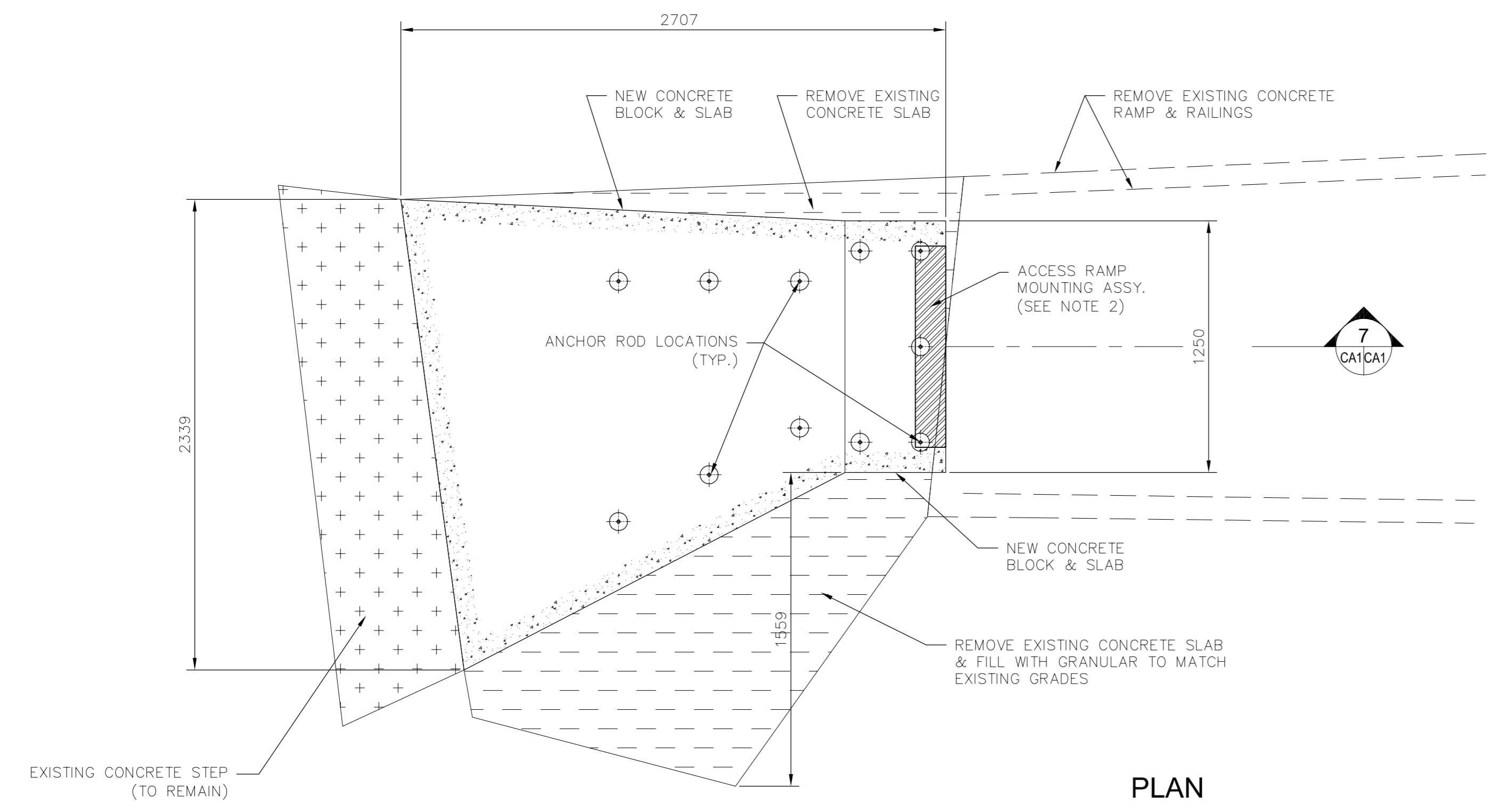
PROJECT NO:	141-17983-00	DATE:	2014-06
ORIGINAL SCALE:	1:20	IF THIS BAR IS NOT 25mm LONG, ADJUST YOUR PLOTTING SCALE.	
DESIGNED BY:	E. DE CURTIS, P.ENG.		
DRAWN BY:	C. GLODOWSKI		
CHECKED BY:	E. DE CURTIS, P.ENG.		

SUB-PROJECT: HARBOUR ENGINEERING  
TITLE: RAMP BLOCK DETAILS  
AUBREY ISLAND &  
CEDAR ISLAND

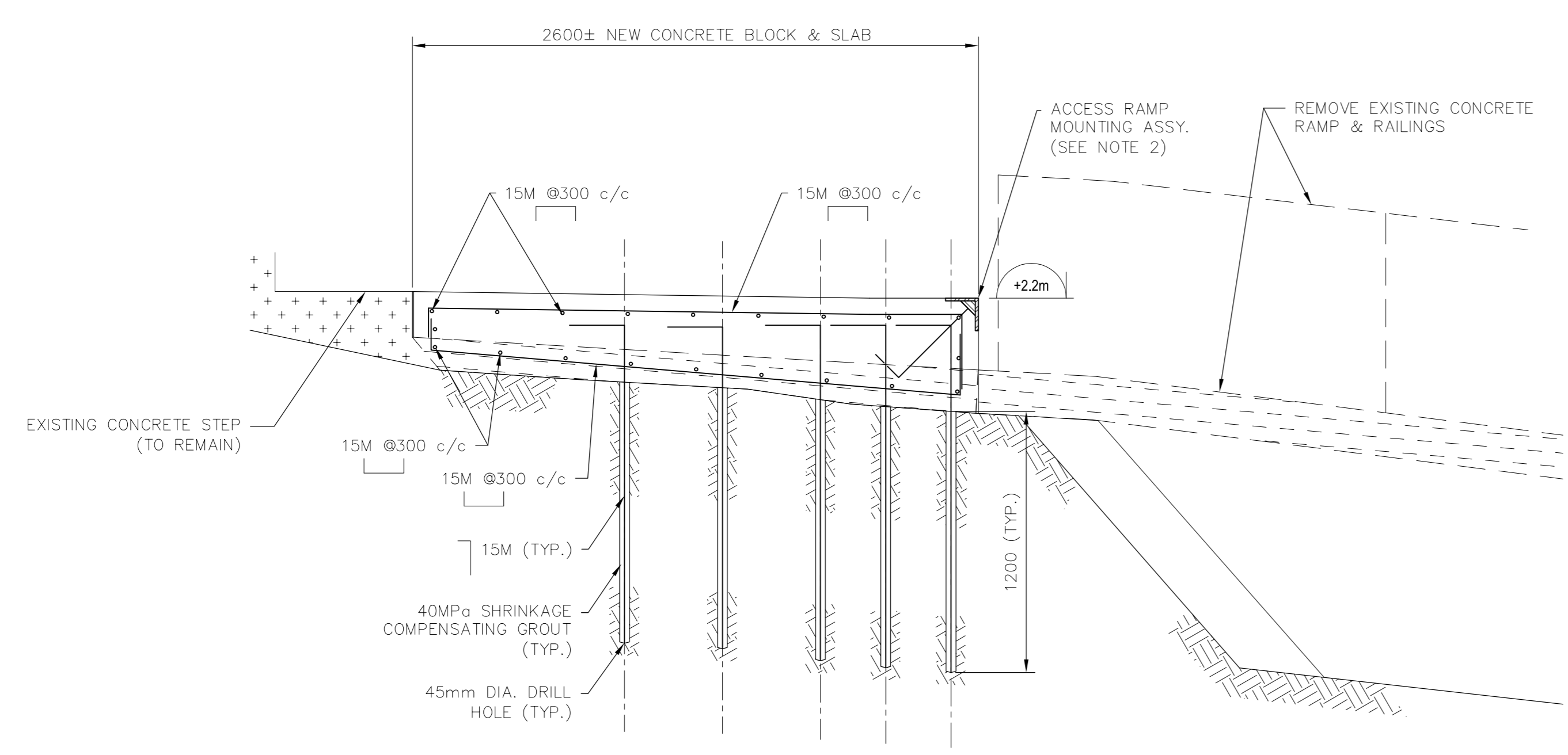
SHEET NUMBER: CA1  
SHEETS: 7 OF 7

TENDER  
DATE OF 2014-08-21  
REV. # 0

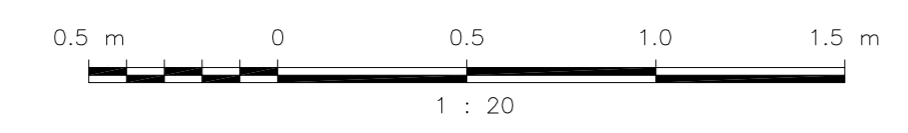
AUBREY ISLAND  
DETAIL - CONC.  
RAMP BLOCK  
1  
A03 CA1



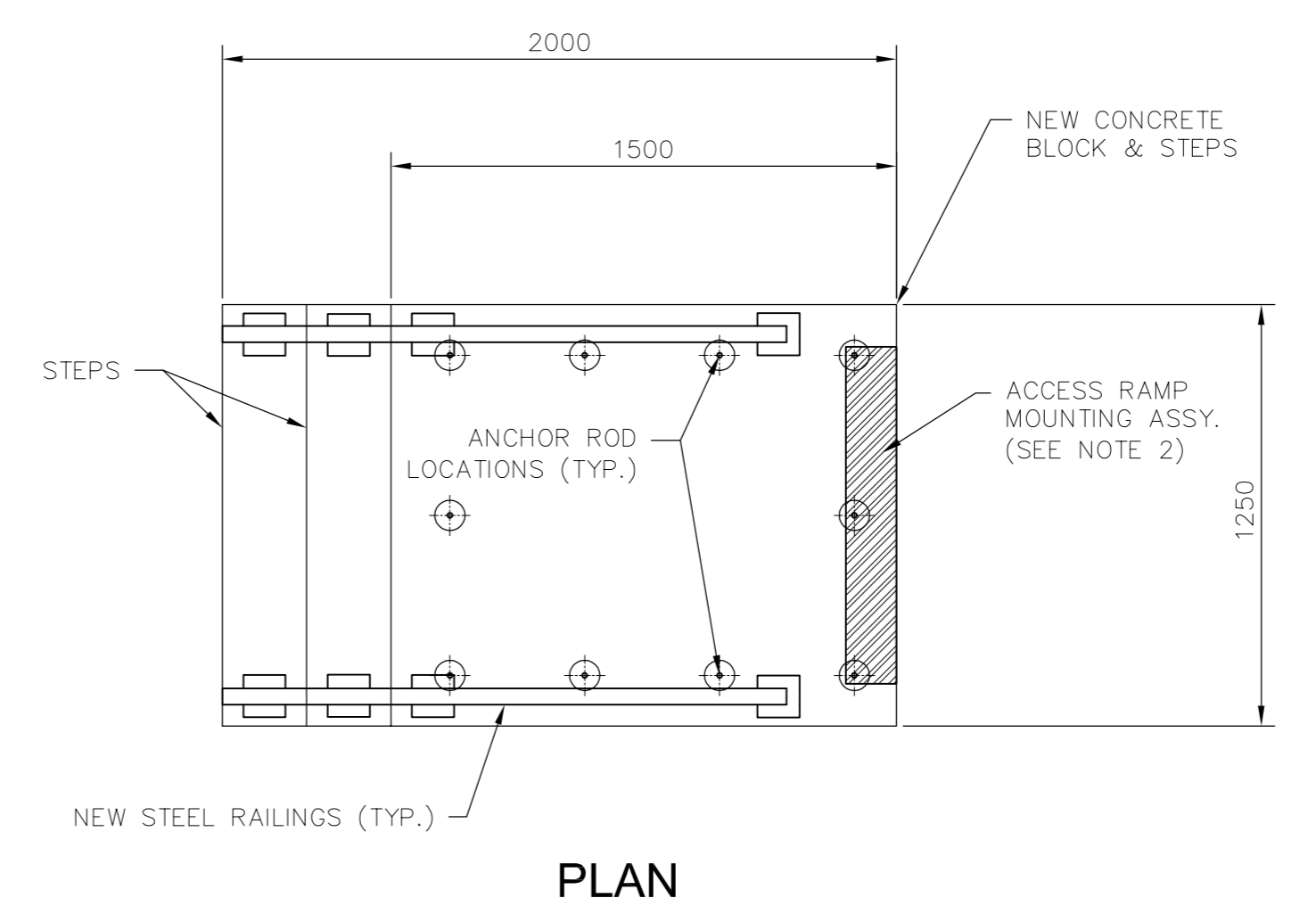
PLAN



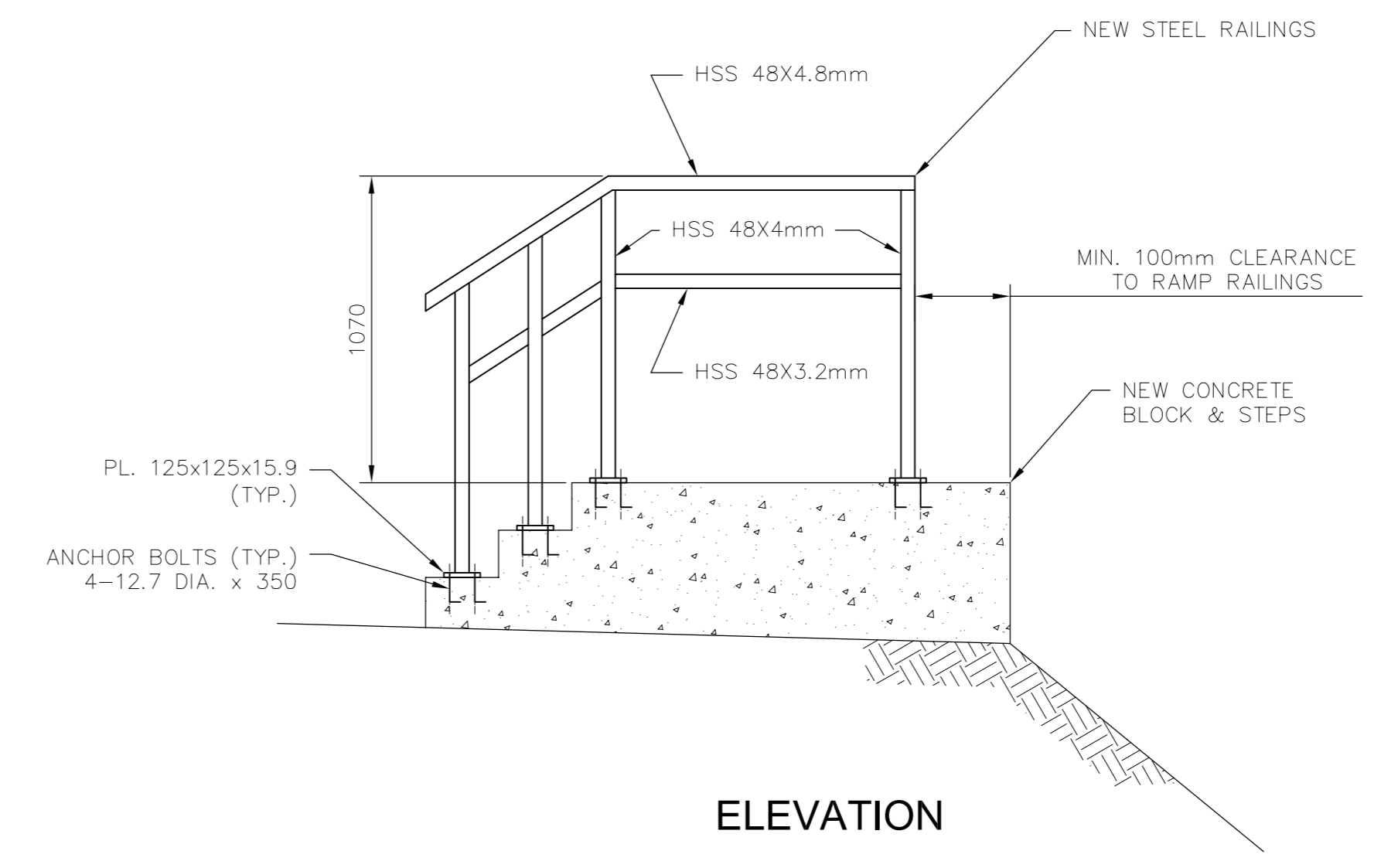
SECTION 7  
CA1 CA1



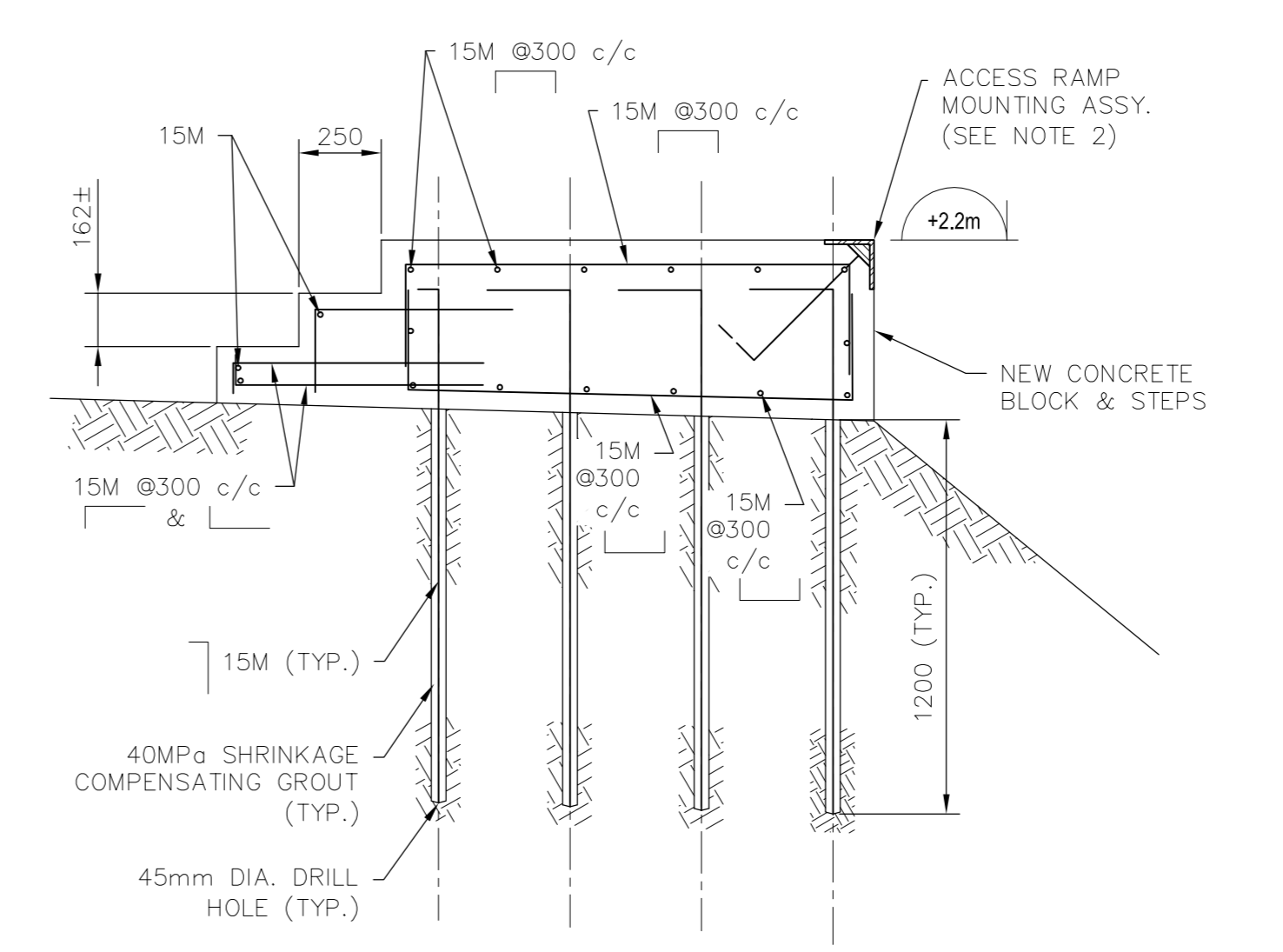
CEDAR ISLAND  
DETAIL - CONC.  
RAMP BLOCK  
2  
C03 CA1



PLAN



ELEVATION



SECTION 8  
CA1 CA1

