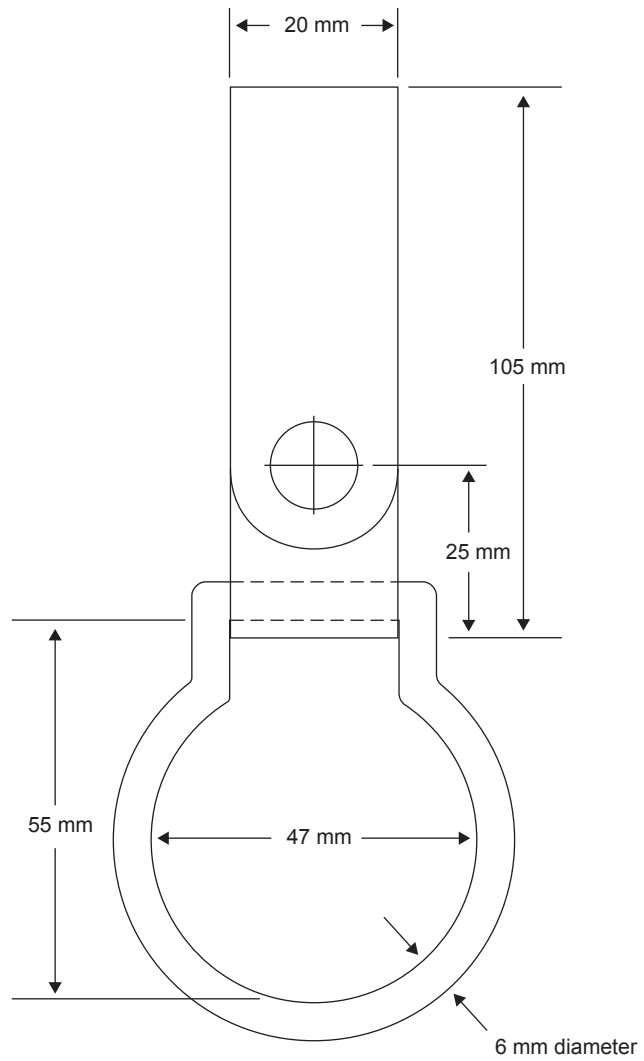


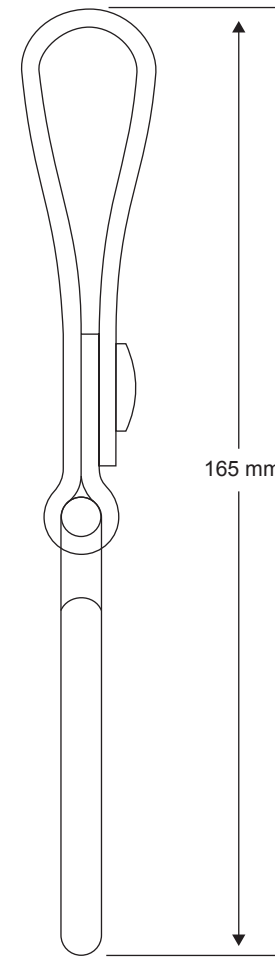
RING, FLASHLIGHT, LEATHER

G.S.1045-259D

Dwg. 1



Front View



SideView

Dwg. 1

Dimension tolerance of +/- 1.5 mm
NOT TO SCALE