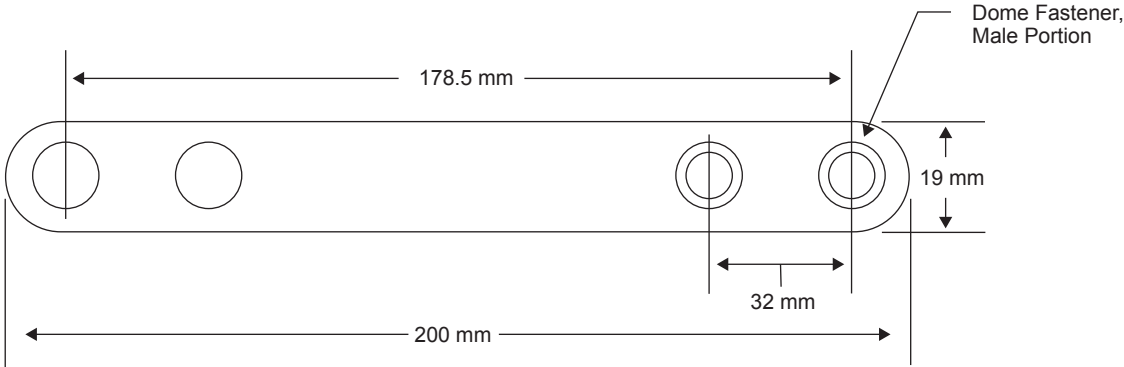


KEEPERS, BELT, LEATHER

G.S.1045-259F

Dwg. 1



Keeper Strap, Belt
(Double Snaps)

Dwg. 1

Dimension tolerance of +/- 1.5 mm
NOT TO SCALE