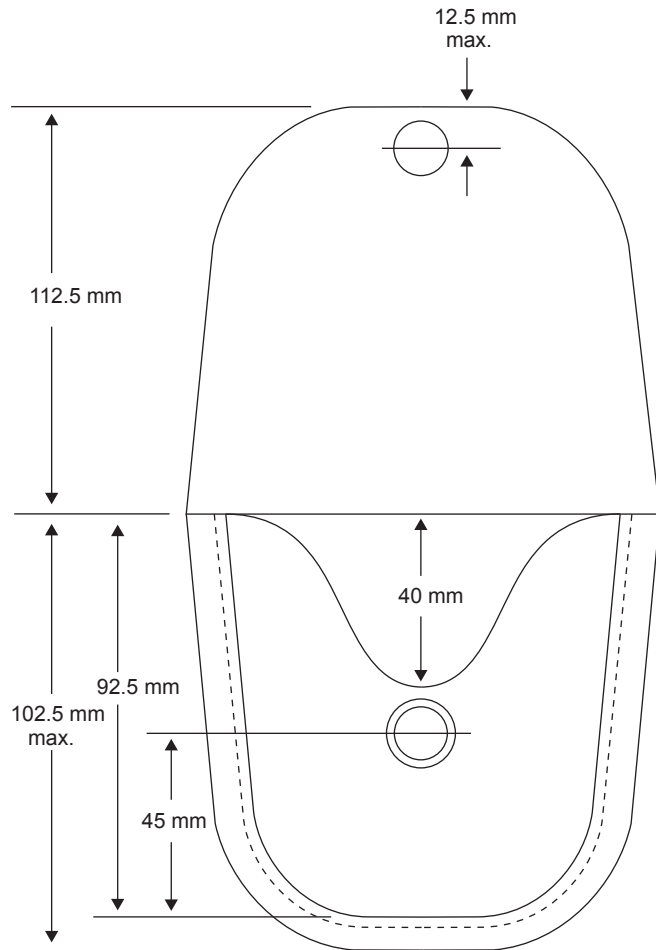


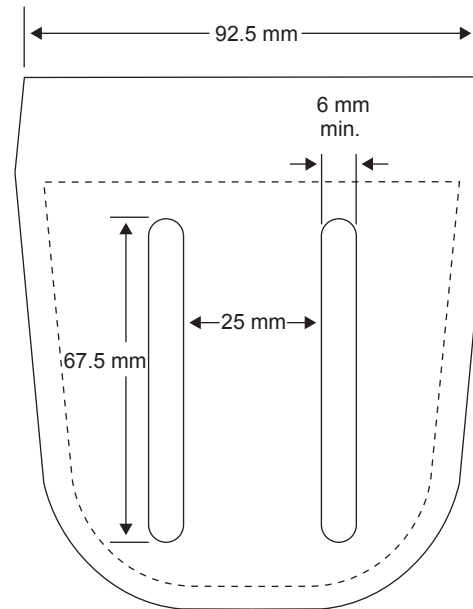
Dwg. 1



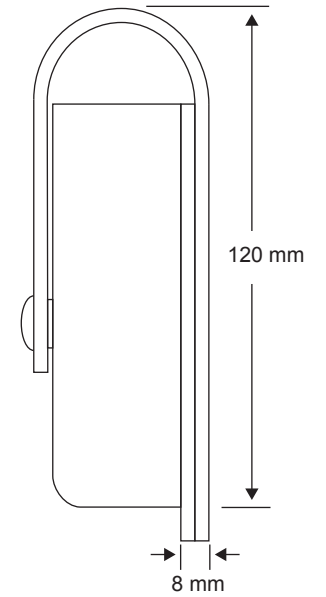
Front View

Dimension tolerance: +1 mm.

Note: Slight deviations in dimensions will be tolerated provided that RCMP-approved metal handcuffs will fit properly into the Leather Handcuff Pouch AND the handcuff pouch fits on RCMP leather duty belts of approved width.



Rear View



Side View

Dwg. 1

NOT TO SCALE