



Q&A #5

Date: October 8, 2014

Project: Lighting Retrofit / T12 to T8 Fluorescent Fixtures Conversion

Bidders must make sure that their bids are based on the latest version of the tender documents published and take into consideration the following amendments and information, including any information provided on amendments or Q&As previously published for this project.

Bidders that do not comply with this requirement will be discarded.

Question 11: I would like to submit an alternate fixture for approval as equivalent for the Above Named Project. The manufacturer's specification sheet is completed and attached for review.

Answer 11: The fixtures (housing and reflector) must be painted and finish coat must be white baked enamel. The proposed fixture is not an approved equivalent.

ALL OTHER TERMS AND CONDITIONS REMAIN UNCHANGED

BJTSP SERIES T5/T8 INDUSTRIAL STRIP FIXTURE

OPTICS:

Multi-faceted reflector engineered to maximize lamp performance.

Reflector materials available include:

- High Reflectance White Steel
- High Reflectance White Aluminum
- Standard Anodized Aluminum
- Upgraded Anodized Aluminum

CONSTRUCTION

- Formed white steel for added strength and rigidity
- End brackets screw mounted and have knock outs to allow for row mounting

OPTIONS

- Custom lengths up to 8 ft.
- 1 lamp to 4 lamp cross sections available
- Specific reflector types to suit your requirements
- Wire Guard
- Cords, plugs and outlets
- Suitable for continuous row mounting
- Master / satellite

APPLICATIONS

- Ideal for warehouse, utility rooms, aisle lighting, and other indoor applications.

APPROVALS

- UL & CSA approved for Canada & USA

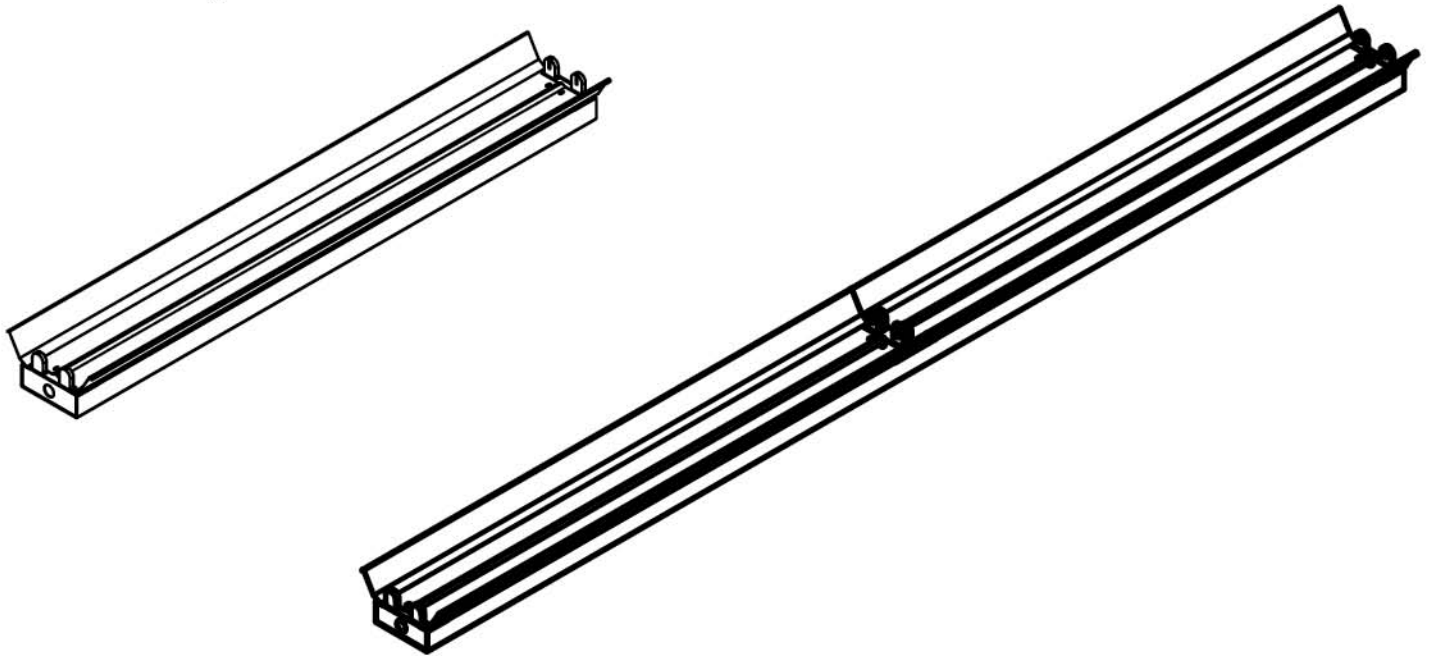
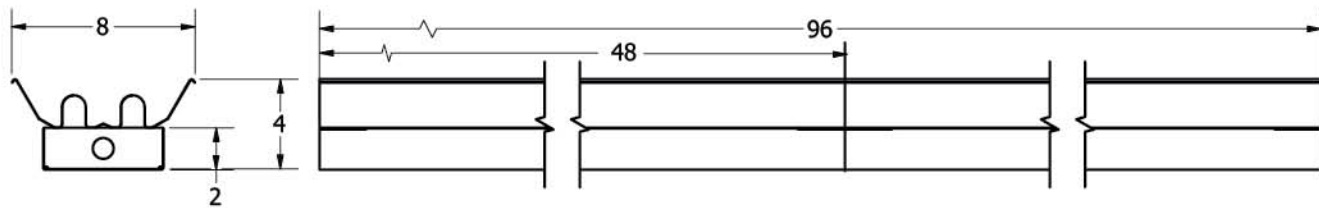


Specifications may change without notice.
Some configurations may not be available.

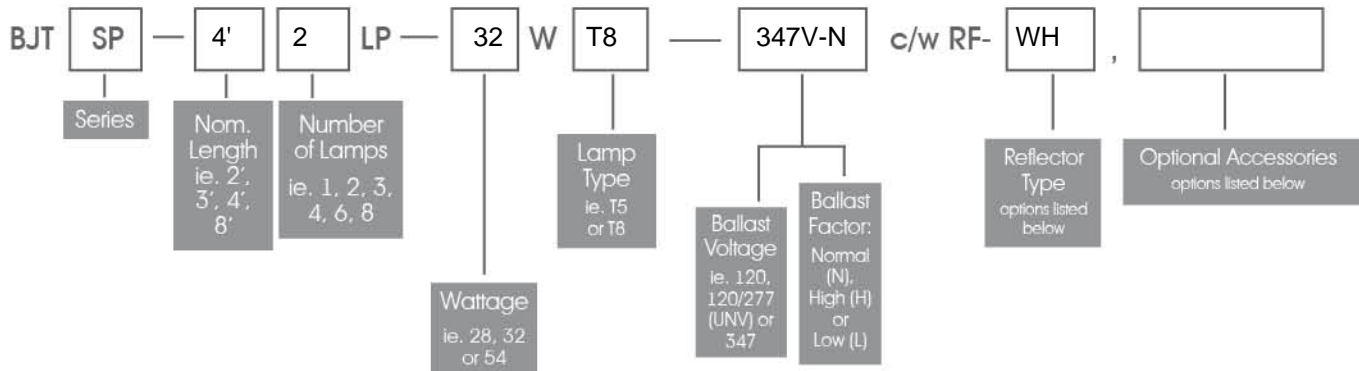
BJTSP SERIES T5/T8 INDUSTRIAL STRIP FIXTURE

BJ TAKE ENERGY EFFICIENT LIGHTING

BJTSP Series Fixture Options



Order Code Logic



Optional Accessories:

Battery Backup
(needs to be specified)

Sensors
Motion Sensor (MS)
Motion Sensor with Photo Cell (MPS)

Wire Guard (WG)

Hangers
V-Hanger
5' Aircraft Kit
10' Aircraft Kit
15' Aircraft Kit

Reflector
White Steel Reflector (WH)
White Aluminum Reflector (WHAL)
Anodized Aluminum Reflector (AL)
Upgraded Anodized Aluminum Reflector (AL+)

Cord
6' Black 16/3
6' White 16/3
6' Black 16/4
6' White 16/4
10' Black 16/3
10' White 16/3
10' Black 16/4
10' White 16/4