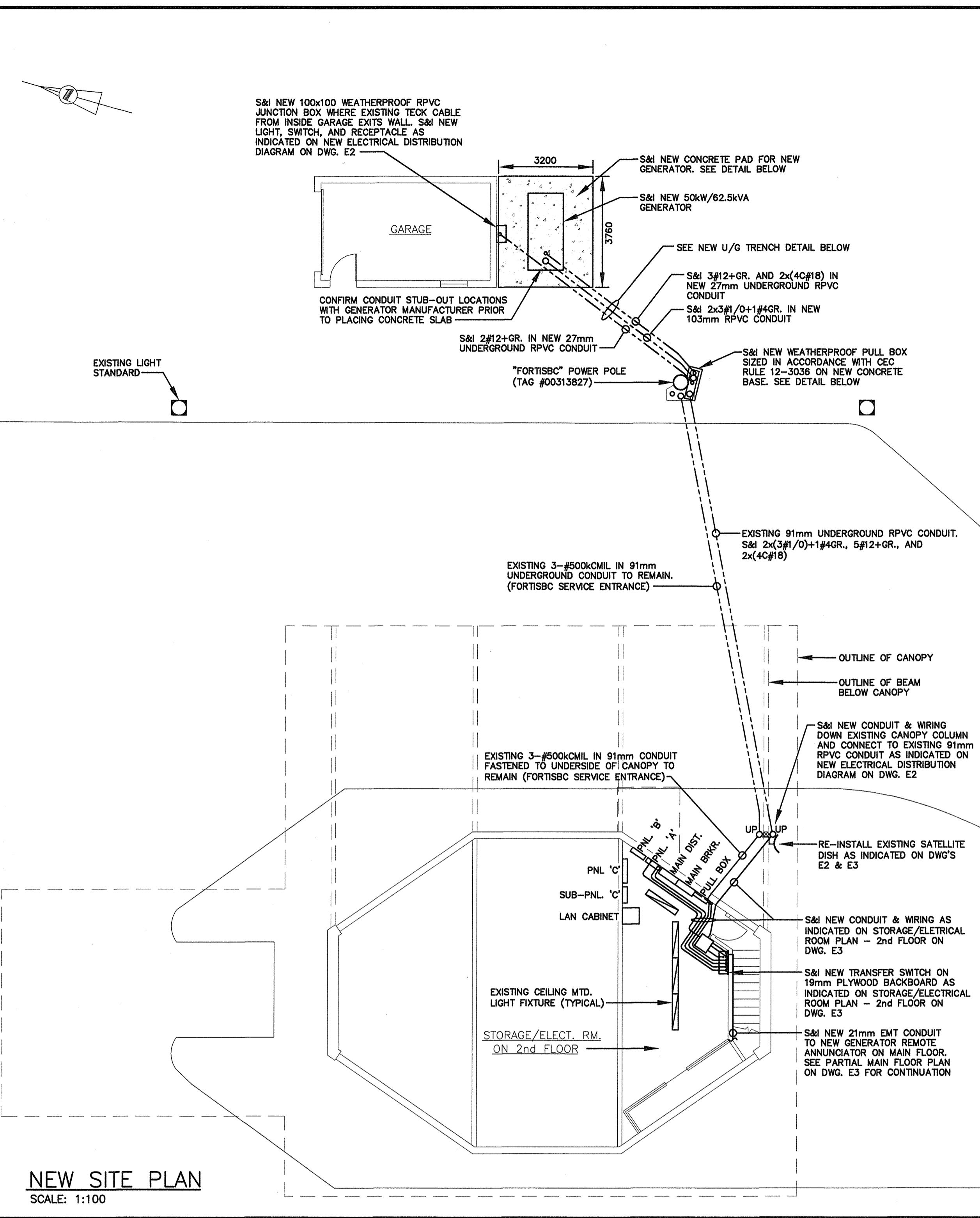
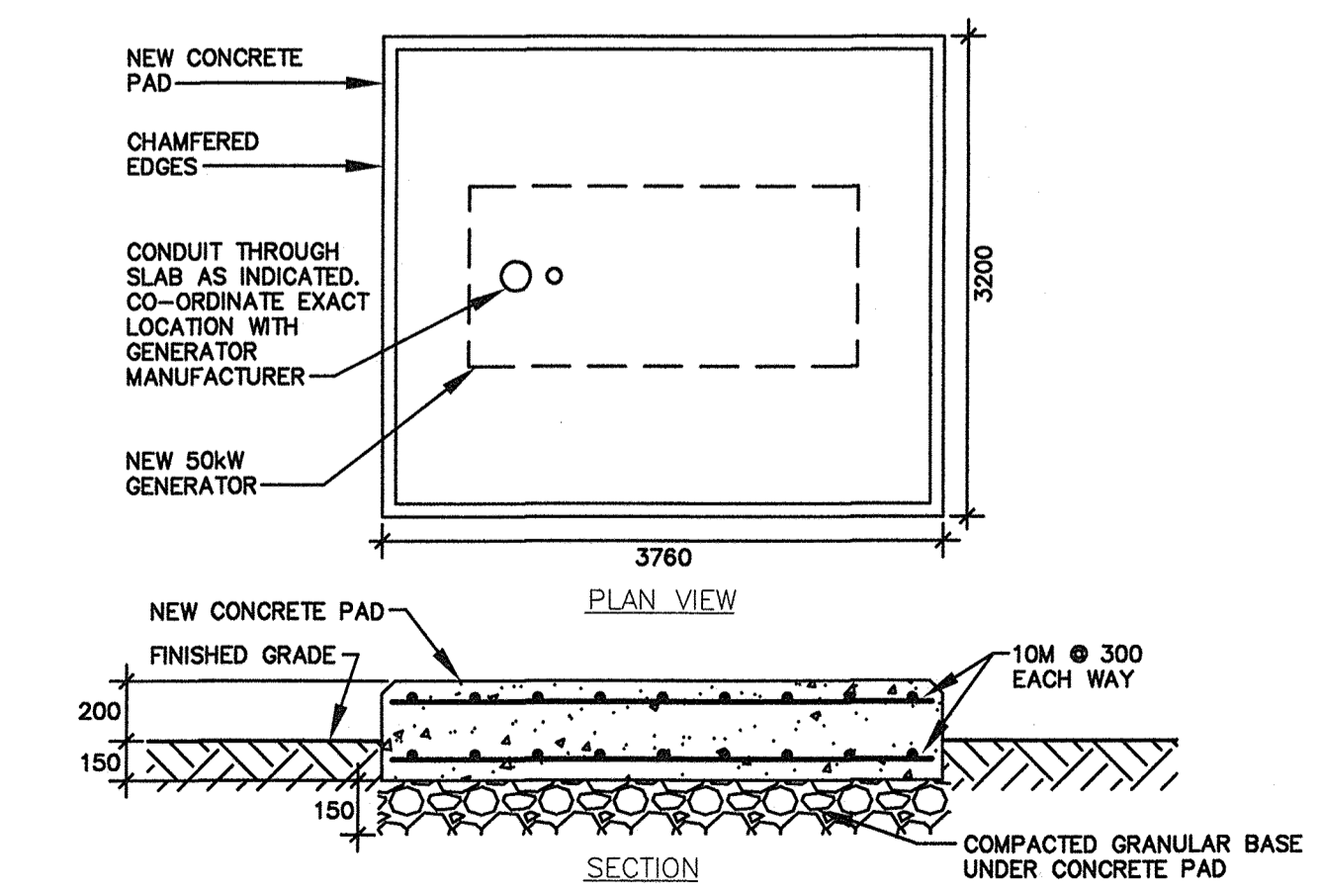


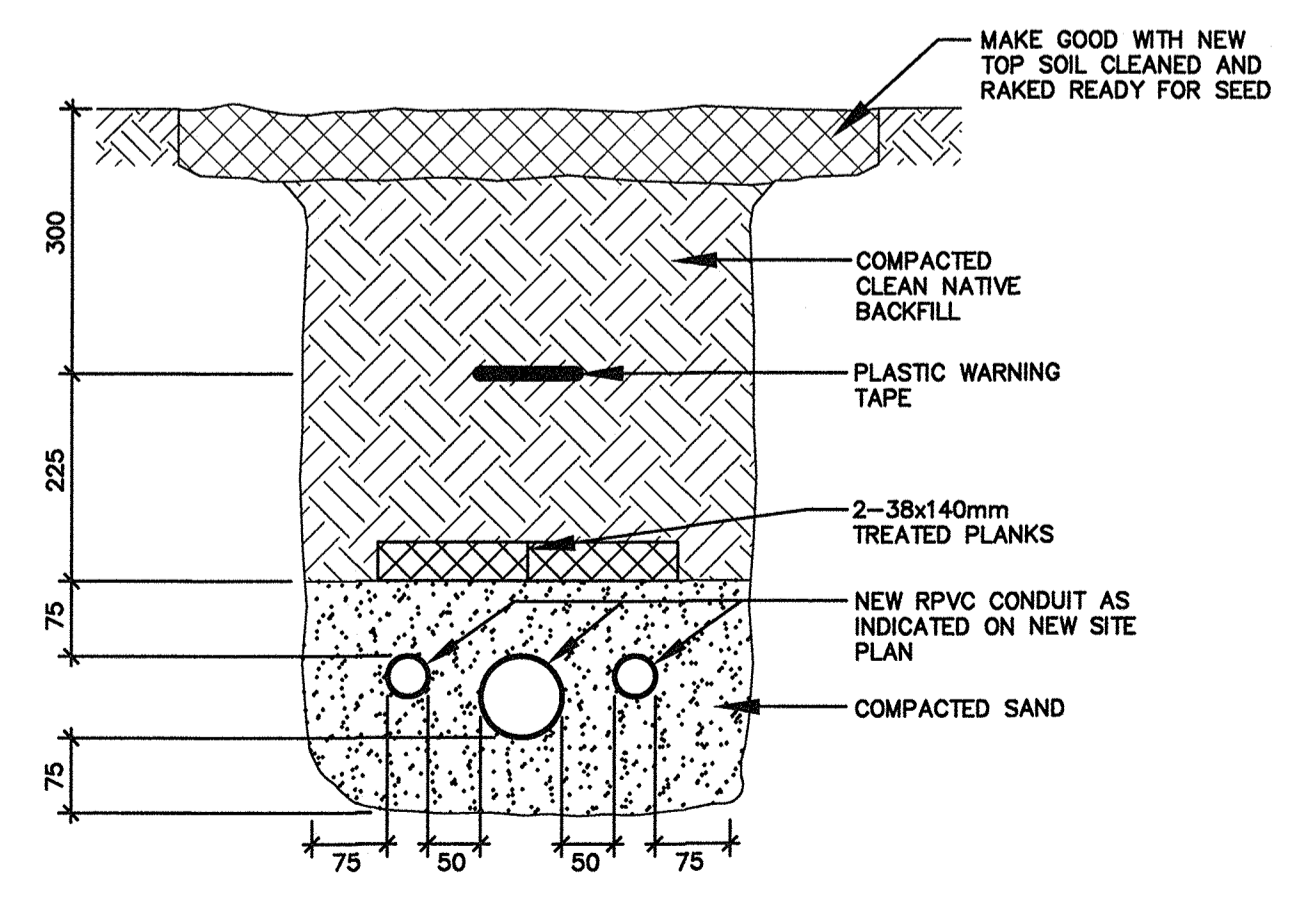
EXISTING SITE PLAN  
SCALE: 1:100



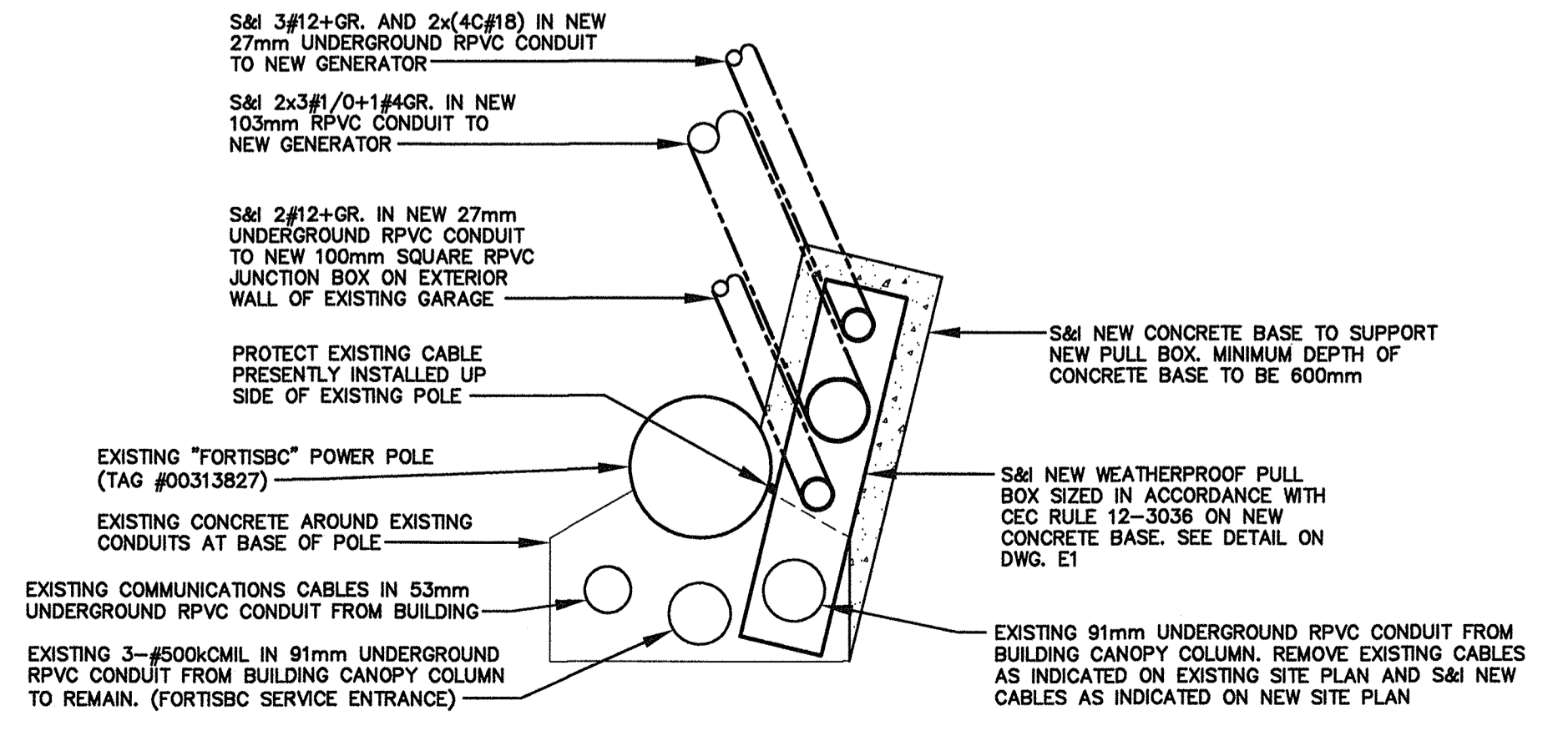
NEW SITE PLAN  
SCALE: 1:100



NEW GENERATOR CONCRETE PAD DETAIL  
SCALE: N.T.S.

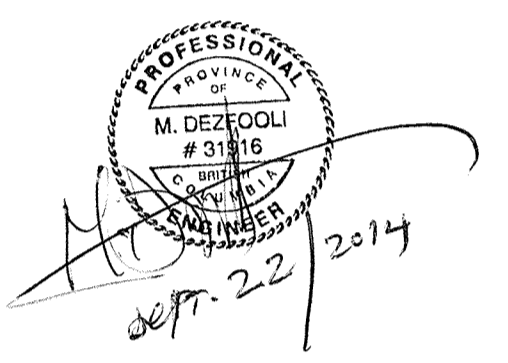


NEW U/G TRENCH DETAIL  
SCALE: N.T.S.



NEW CONCRETE BASE & PULL BOX AT POWER POLE DETAIL  
SCALE: N.T.S.

NOTE: ABBREVIATION "S&I" REFERS TO "SUPPLY AND INSTALL".



5		
4		
3		
2		
1		
0	ISSUED FOR TENDER	14/09/09
Revision/	Description/Description	Date/Date

Client/client  
**PUBLIC WORKS AND GOVERNMENT SERVICES CANADA**

Project title/Titre du projet  
**CRESTON, BC RYKERTS PORT OF ENTRY GENERATOR REPLACEMENT**

Consultant Signature Box Only  
N/A  
Designed by/Concept par  
**MASOOD DEZFOOLI**  
Drawn by/Dessine par  
**T. JEREB**  
PWGSC Project Manager/Administrateur de Projets TPSGC  
**JERRY CHEN**  
PWGSC, Regional Manager, Architectural and Engineering Services/  
Gestionnaire régionale, Services d'architectural et de génie, TPSGC  
**OREST KLUFAS**  
Drawing title/Titre du dessin

**EXISTING SITE PLAN, NEW SITE PLAN, AND DETAILS**

Project No./No. du projet <b>R.072471.001</b>	Sheet/Feuille <b>E1</b> OF 3	Revision no./ La Révision <b>0</b>
--	------------------------------------	--