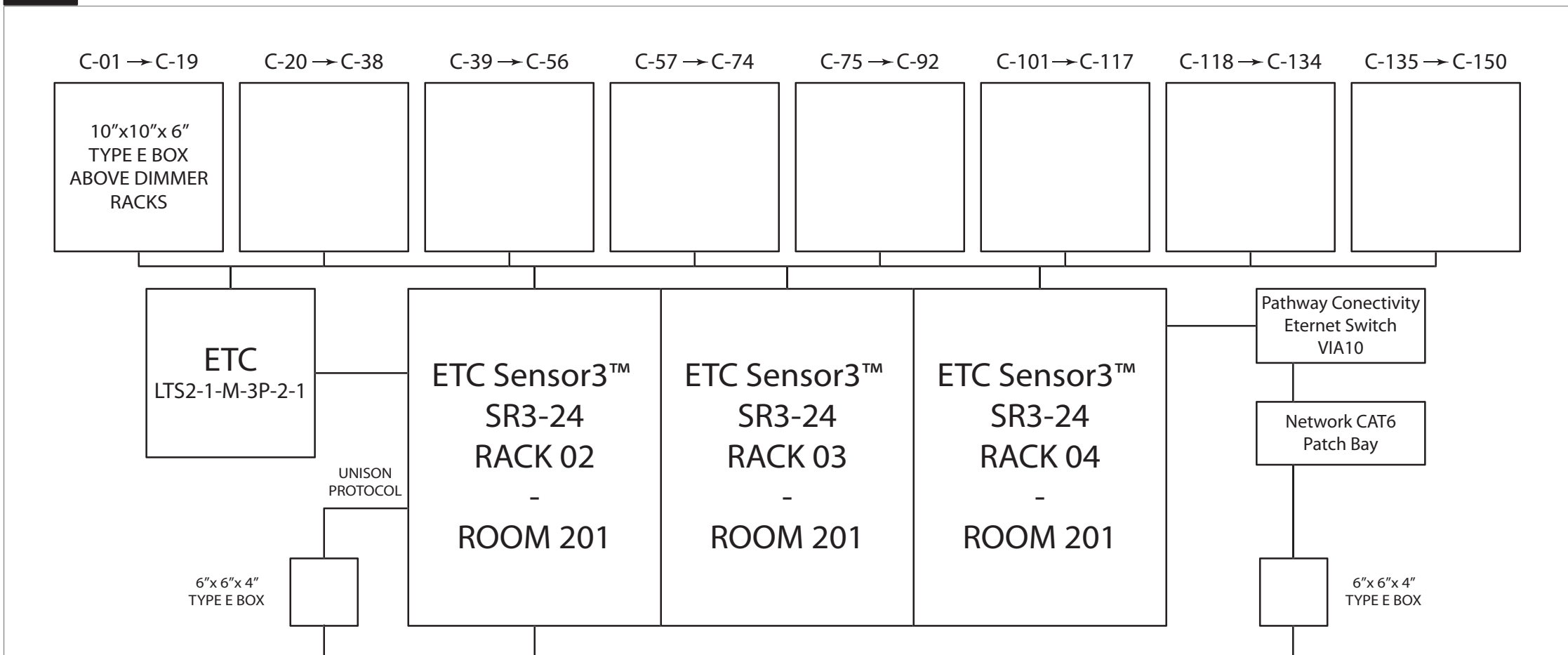
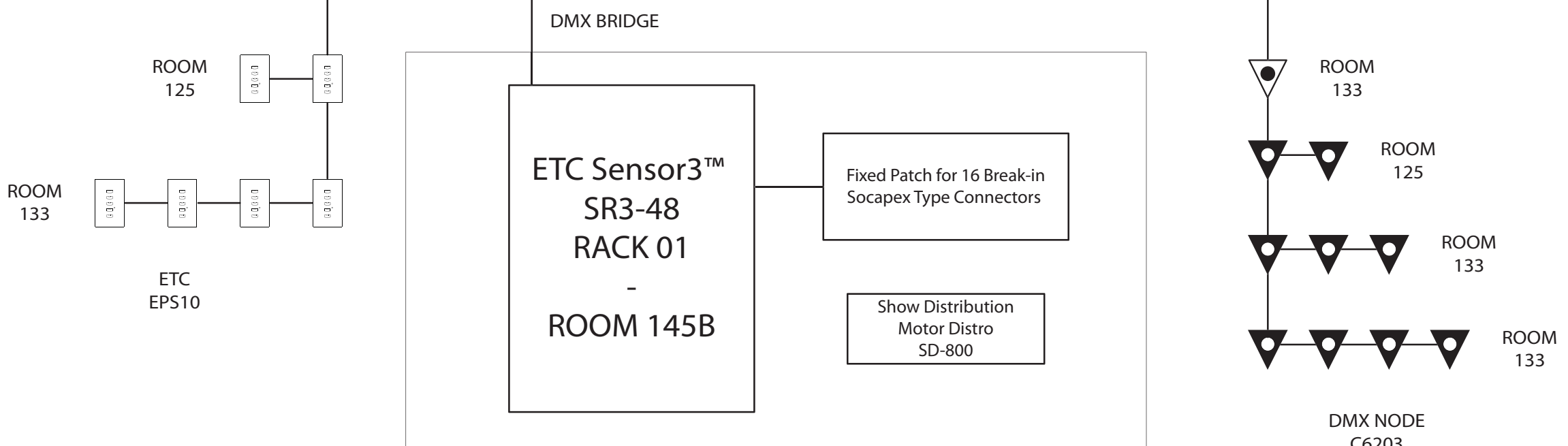


**ROOM
201**



NOTES:
ALL ELECTRICAL MAIN FEEDS, SWITCHES/PANELS, CIRCUITS WIRING AND ALL TYPE "E" BOXES INSTALLED BY CMIP GENERAL CONTRACTOR(S). ALL ELECTRICAL AND DATA HOOKUPS INCLUDING FEEDS TO DEVICES, CIRCUITS TO DEVICES AND NETWORK WIRING TO AND FROM TERMINALS/CONTROLS TO BE PROVIDED AND INSTALLED BY CONTRACTOR.

LIGHTING RISER
STAGE
KENNETH C. ROWE HALL
CHRYSLER CANADA PAVILION



**ROOM
145B**

