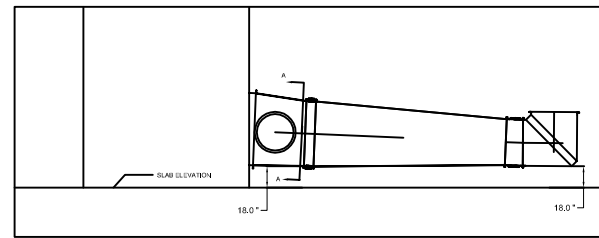
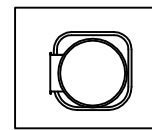


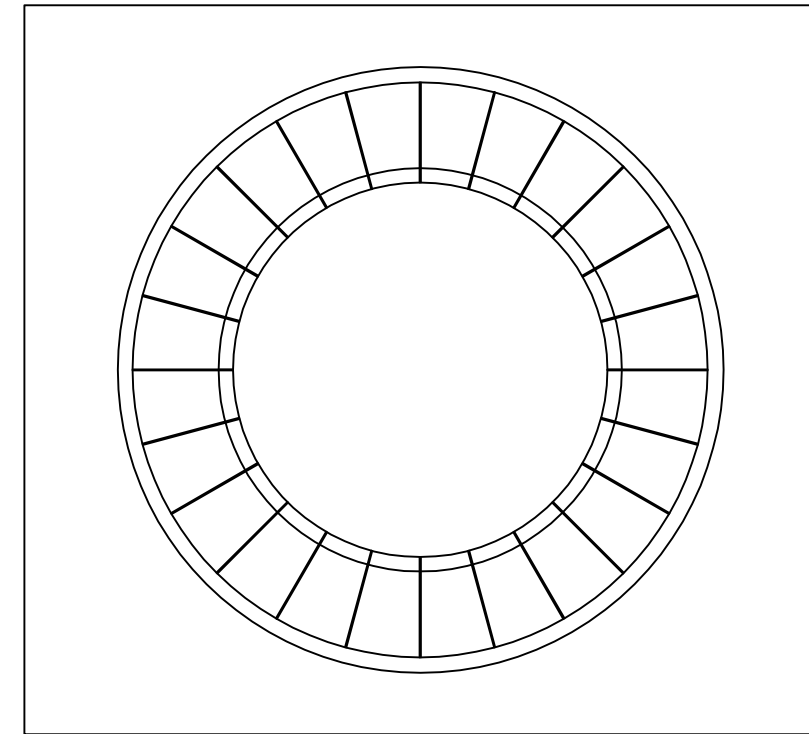
VIEW 1 ON INLET TO TURBINE



VIEW 2 ON OUTLET TO TURBINE



SECTION A-A



VIEW 3 ON BELLMOUTH

NOTE

ALL DIMENSIONS ARE BASED ON FIELD DIMENSIONS AND ARE DEEMED ACCURATE ENOUGH FOR BIDDING PURPOSES. THE FINAL DESIGN AND INSTALLATION SHALL BE BASED ON FIELD DIMENSIONS MADE BY THE WINNING BIDDER.

CONCEPTUAL DRAWING OF ENCLOSURE IS NOT SHOWN HERE BUT DIMENSIONS CAN BE EXTRACTED FROM ORIGINAL POSTED .PDFs.