

**Correctional Service Canada  
Technical Services Branch  
Electronics Systems**

---

**Issue 1  
October 24, 2014**

**STATEMENT  
OF  
TECHNICAL REQUIREMENTS  
  
UPGRADE  
  
of  
  
INTERNAL (SIDS) CCTV SYSTEMS  
  
at  
  
MILLHAVEN INSTITUTION**

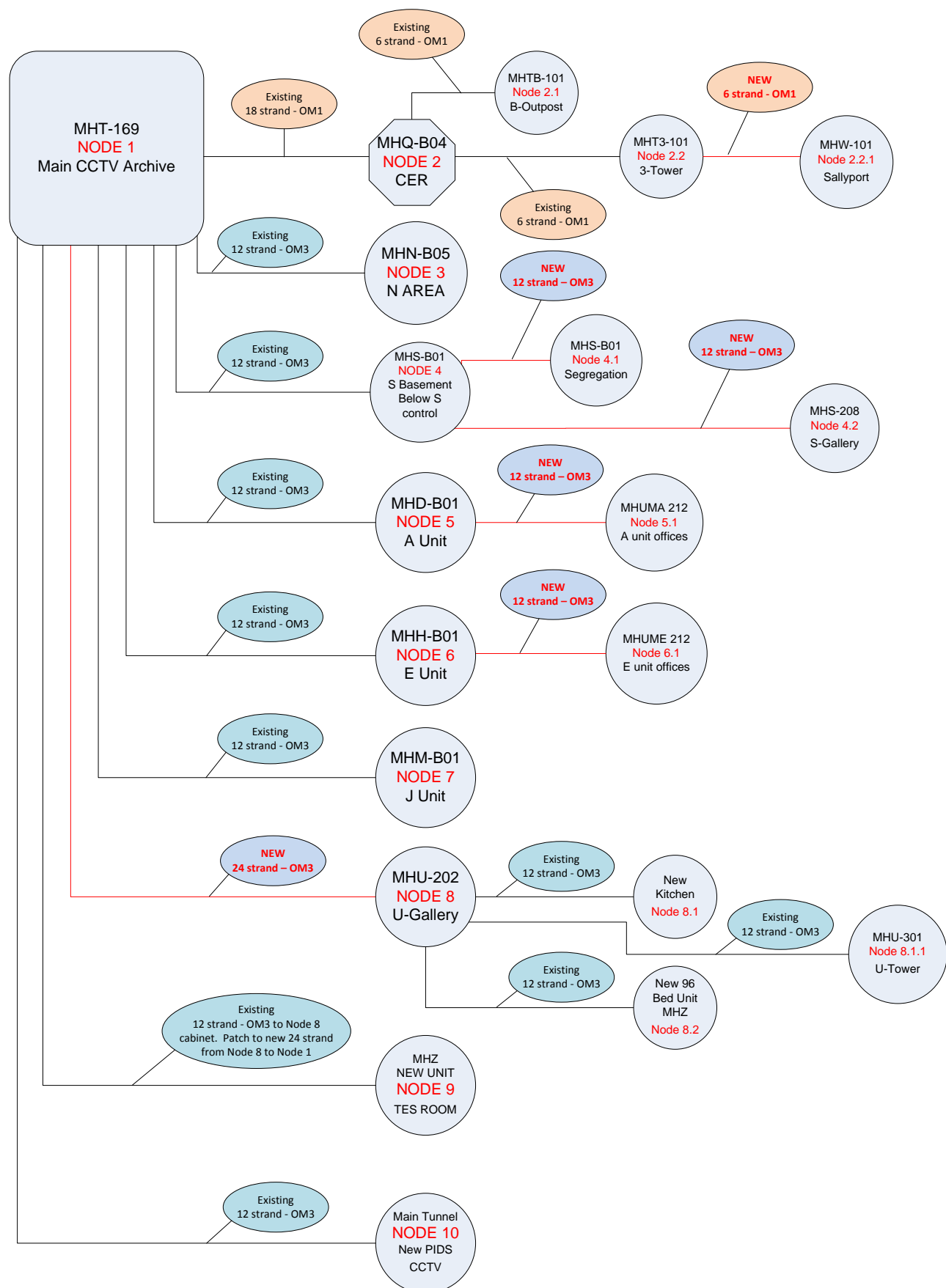
**Appendix G**

**Node and Fibre Layout**

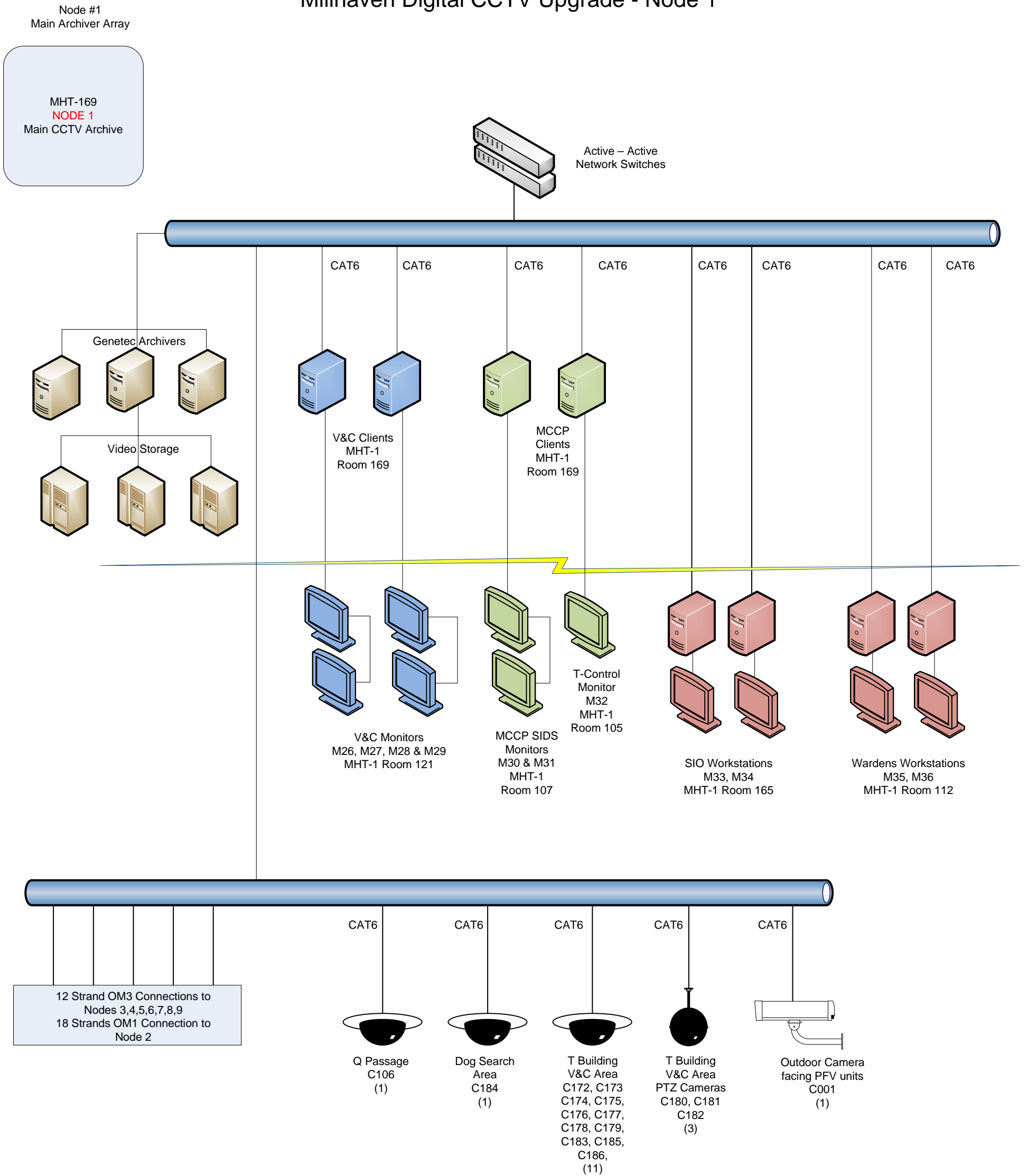
This Statement of Technical Requirements is approved by the Correctional Service of Canada for the upgrade of the existing Hybrid CCTV System at Millhaven Institution.

---

### Millhaven Digital CCTV Upgrade Fibre Optic Cable Layout

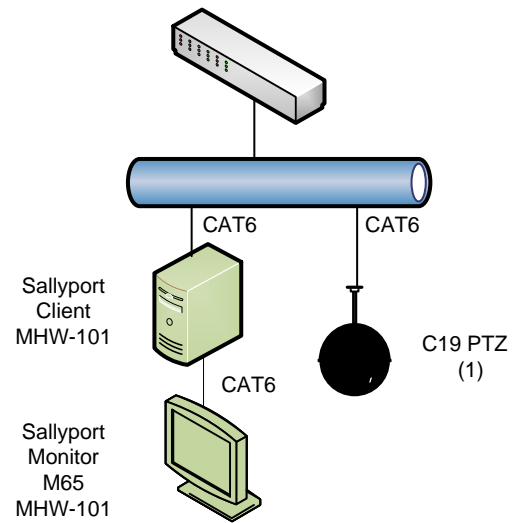
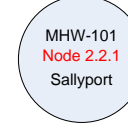
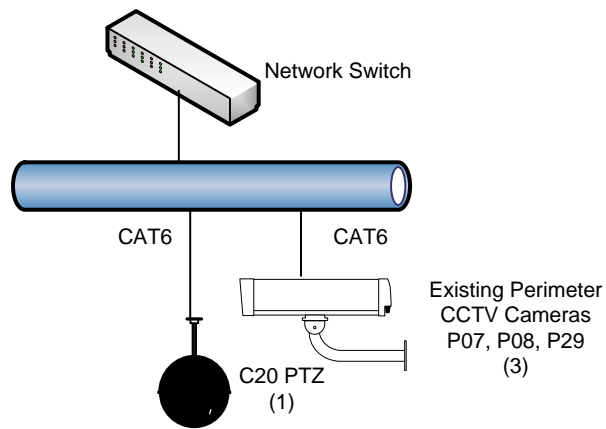
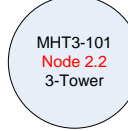
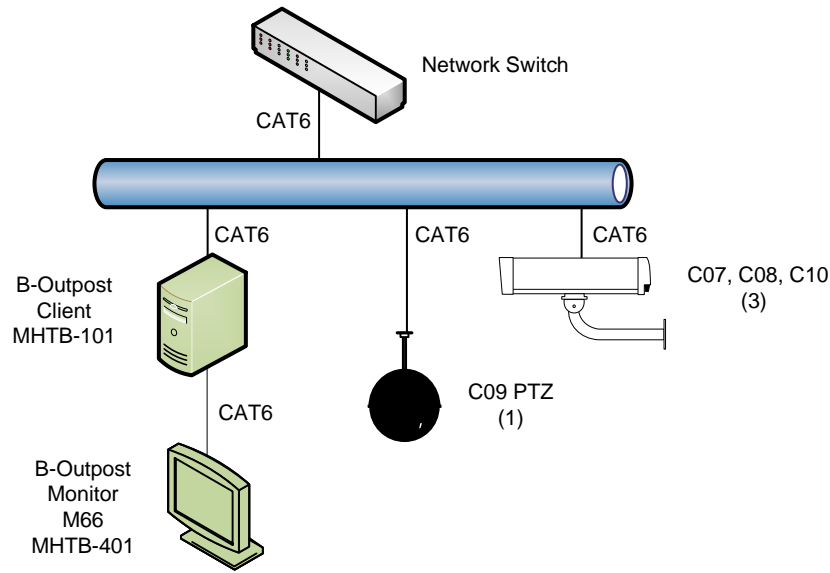
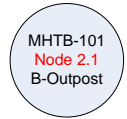
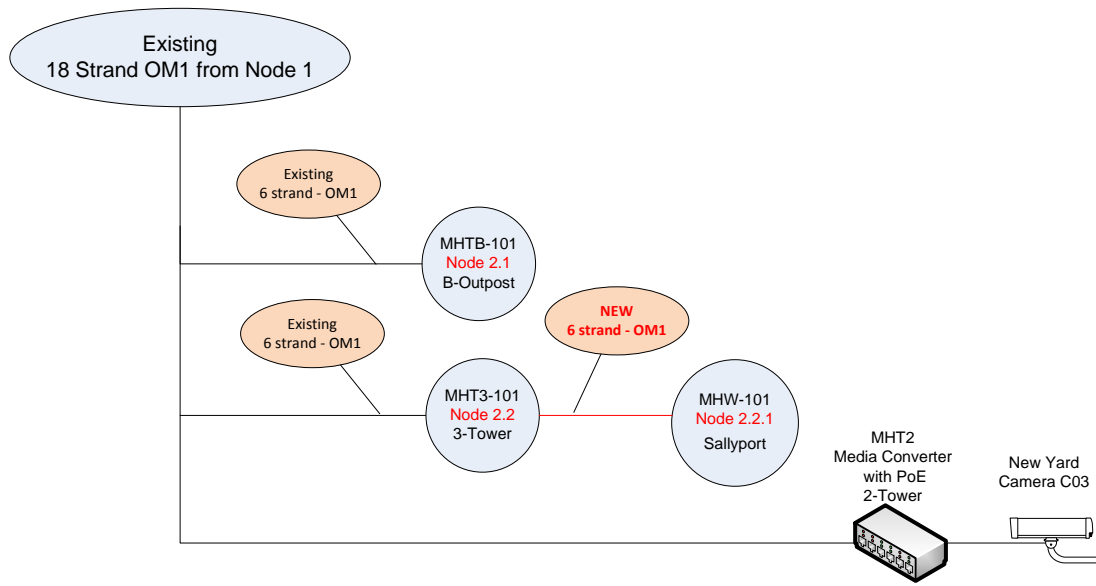


# Millhaven Digital CCTV Upgrade - Node 1

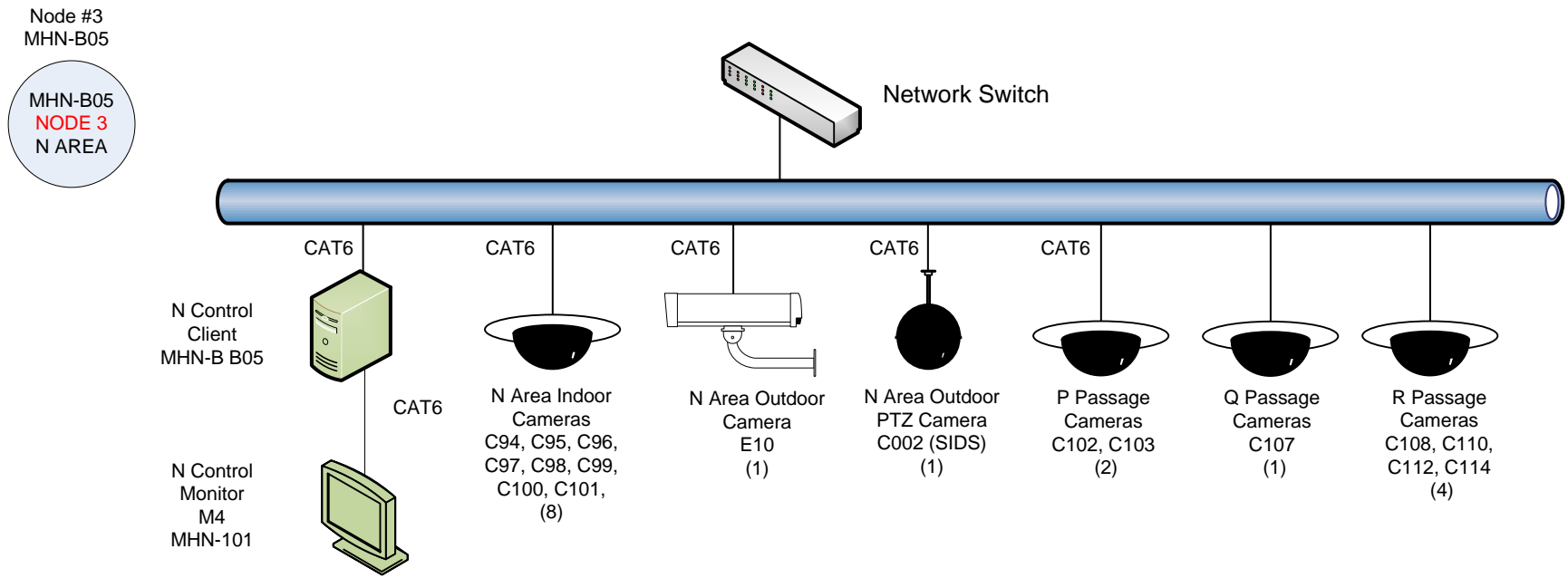


### Millhaven Digital CCTV Upgrade - Nodes 2 - 2.1 - 2.2 - 2.2.1

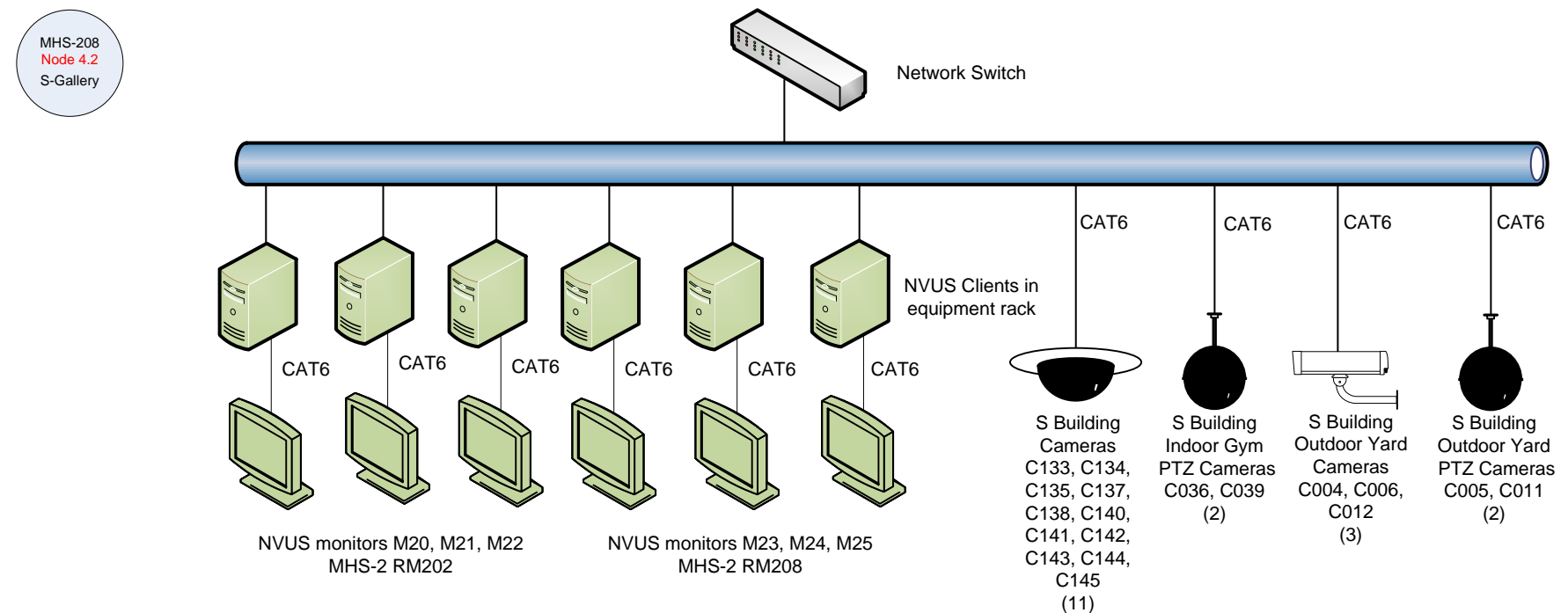
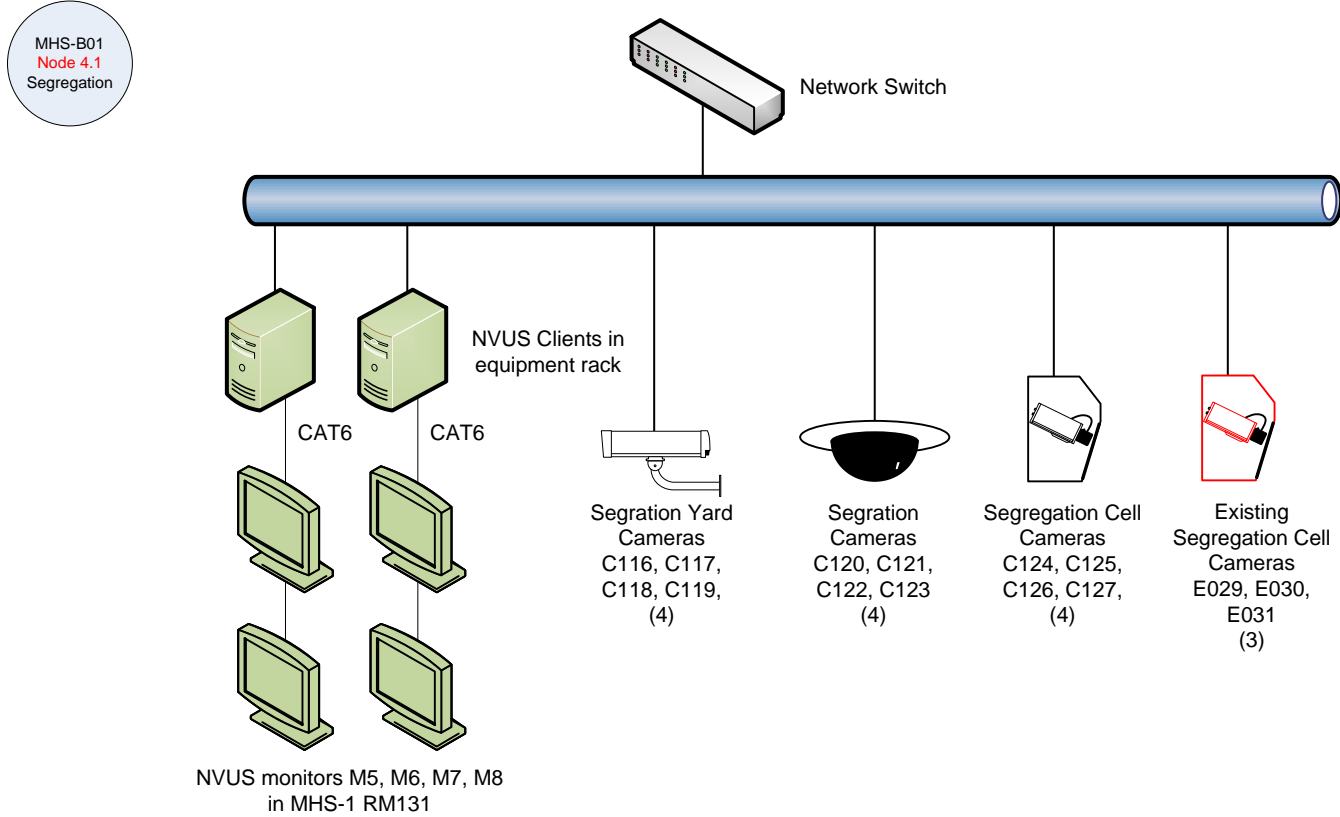
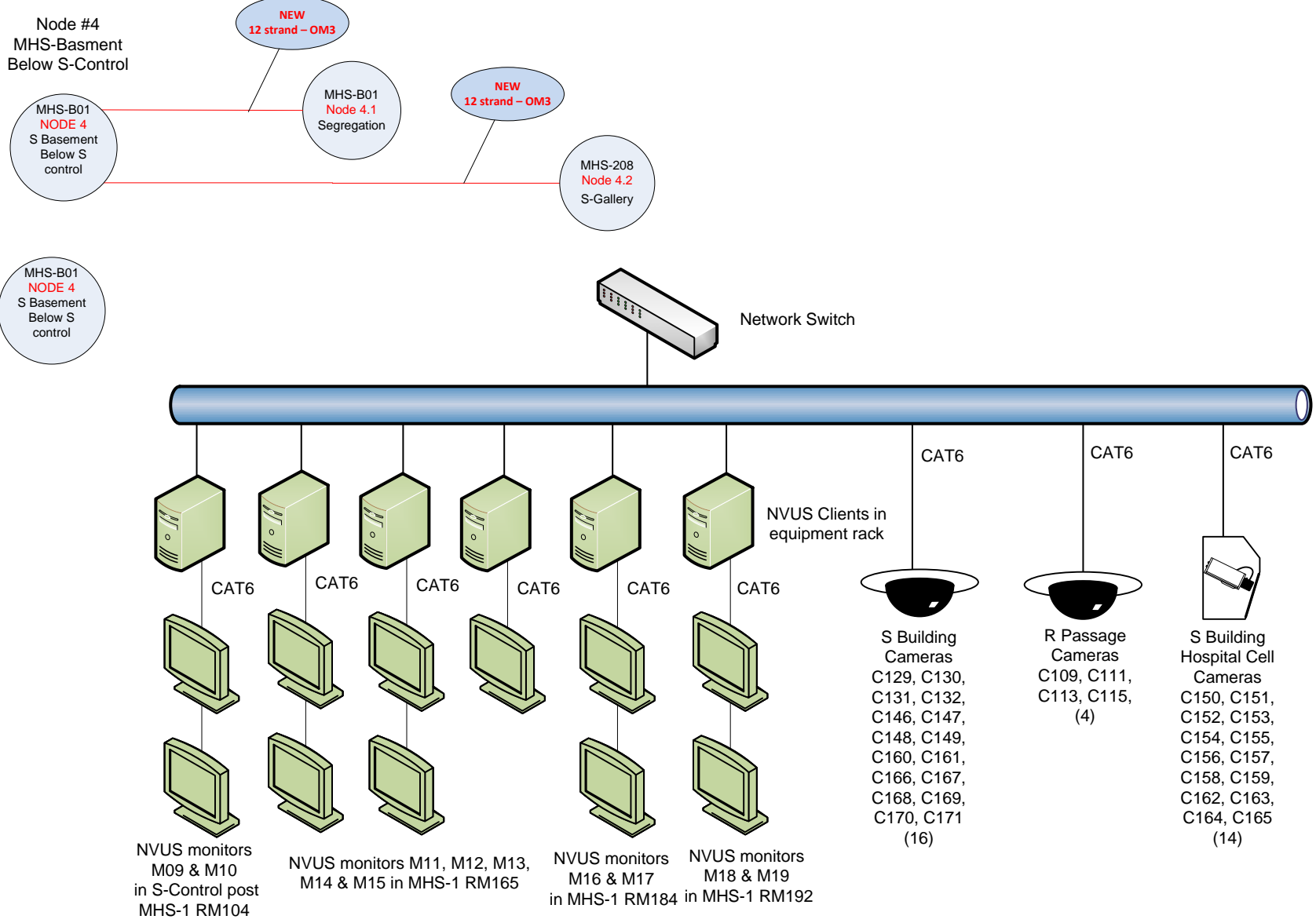
Node #2  
CER ROOM



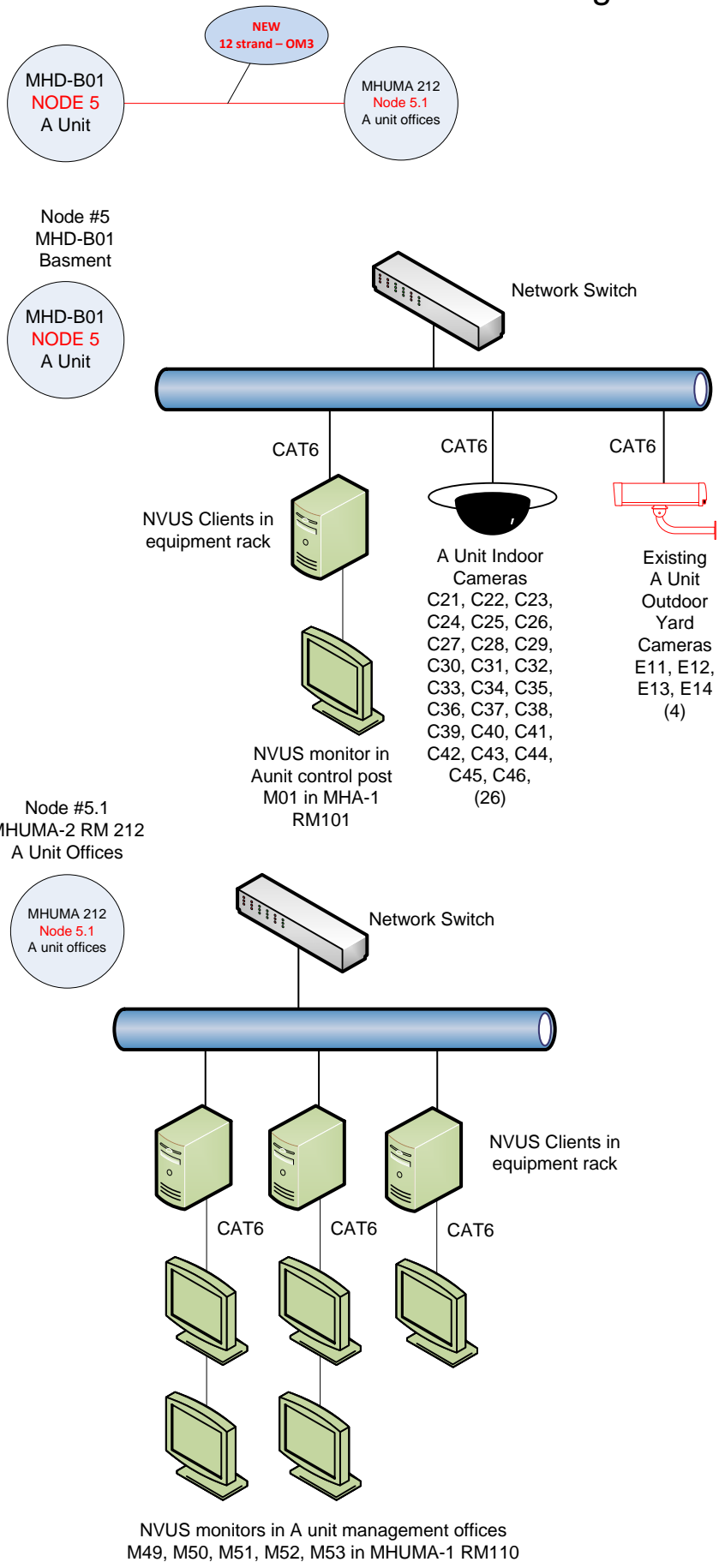
### Millhaven Digital CCTV Upgrade - Node 3



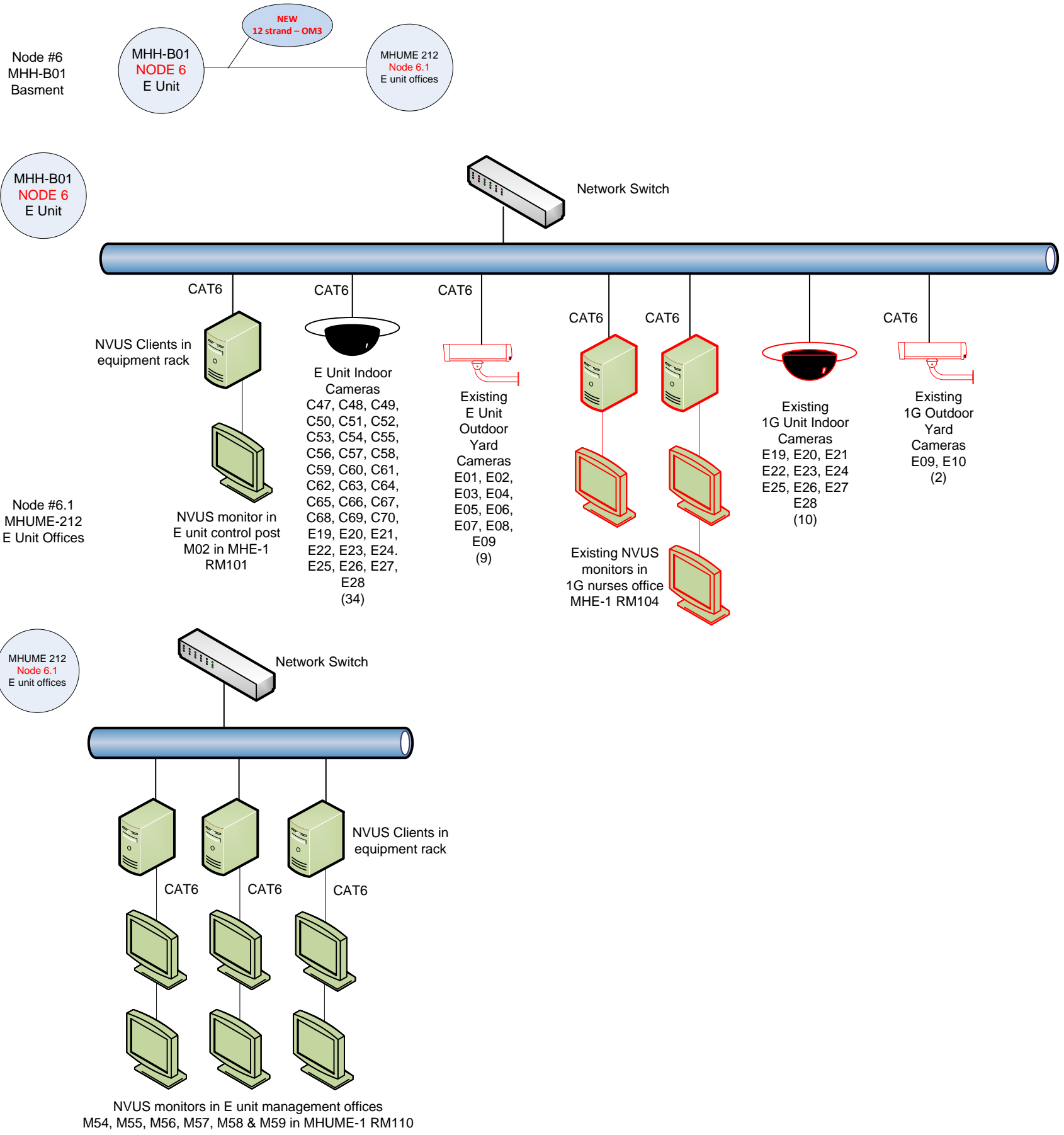
### Millhaven Digital CCTV Upgrade - Nodes 4 - 4.1 - 4.2



### Millhaven Digital CCTV Upgrade - Nodes 5 - 5.1



### Millhaven Digital CCTV Upgrade - Nodes 6 -6.1

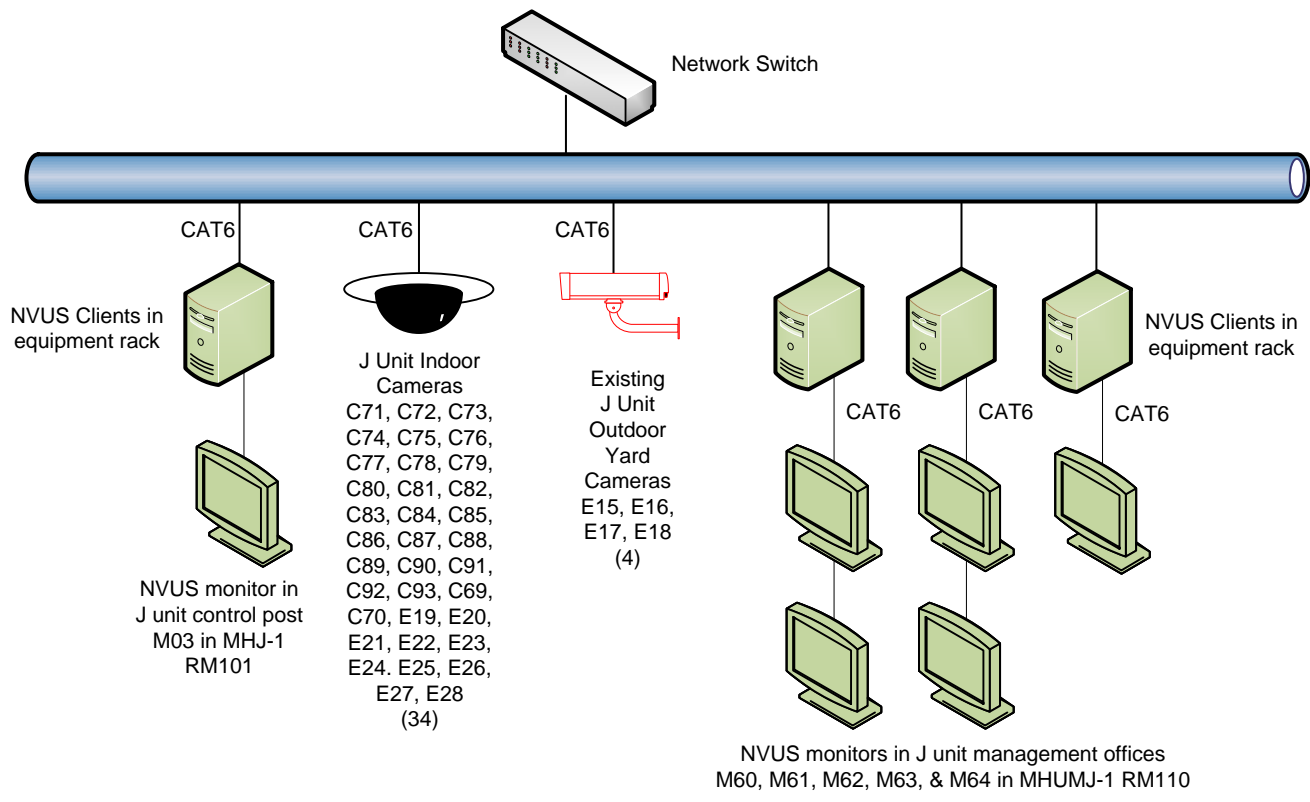




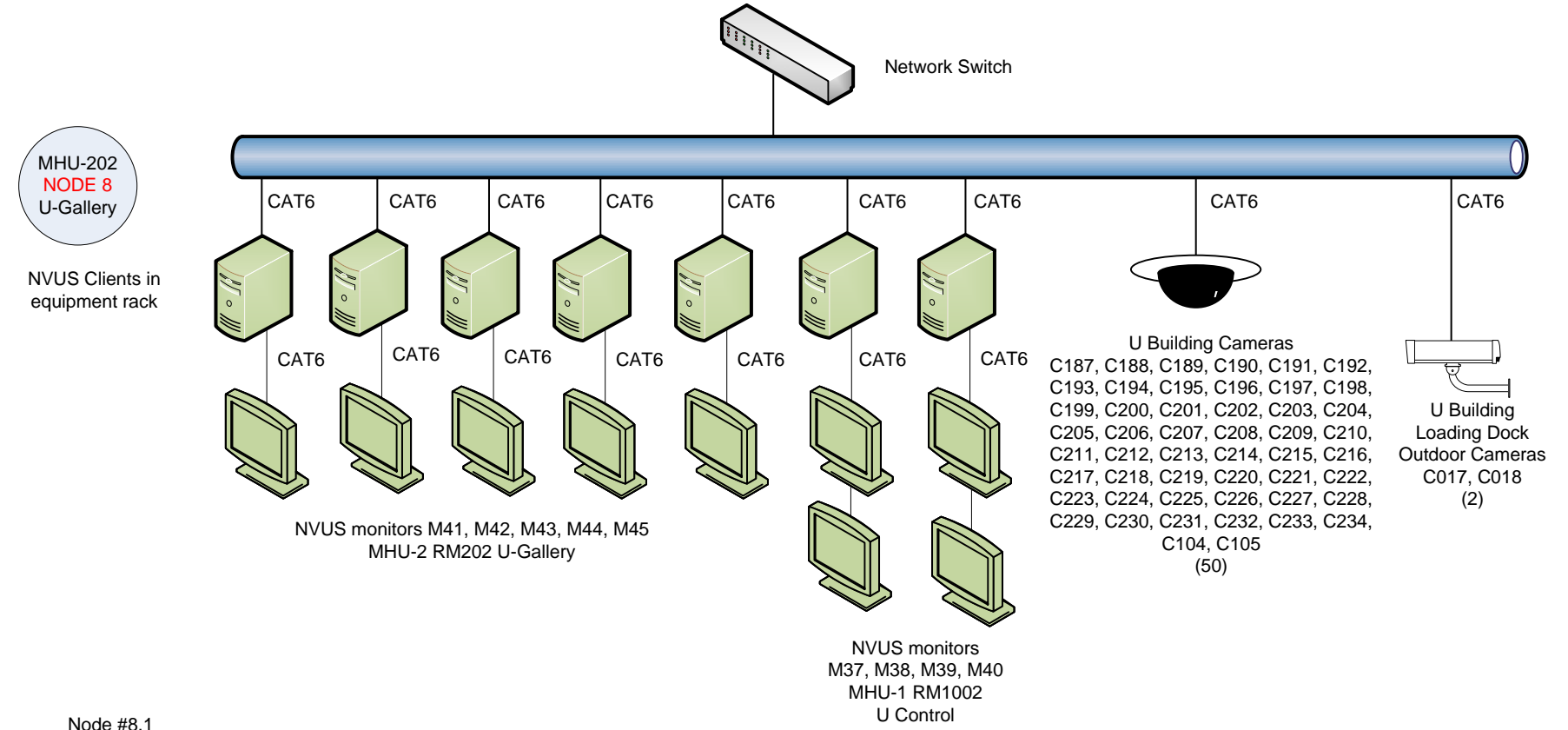
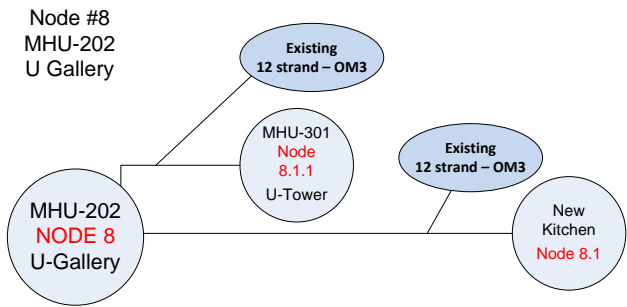
### Millhaven Digital CCTV Upgrade - Node 7

Node #7  
MHM-B01  
Basement

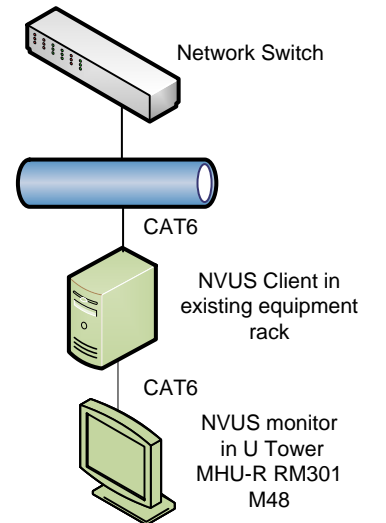
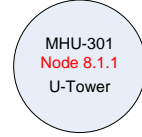
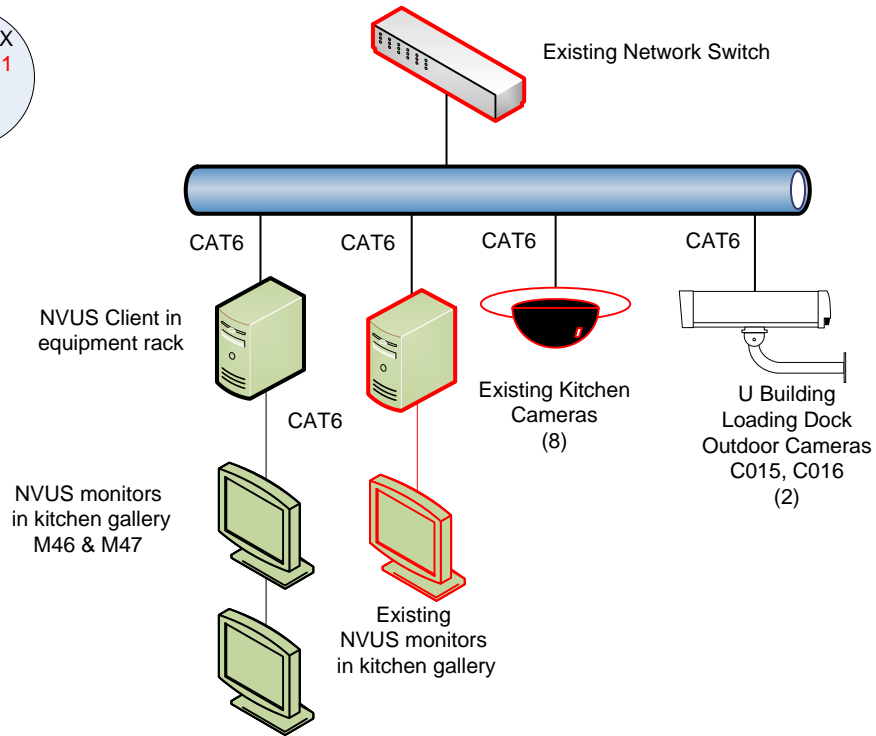
MHM-B01  
**NODE 7**  
J Unit



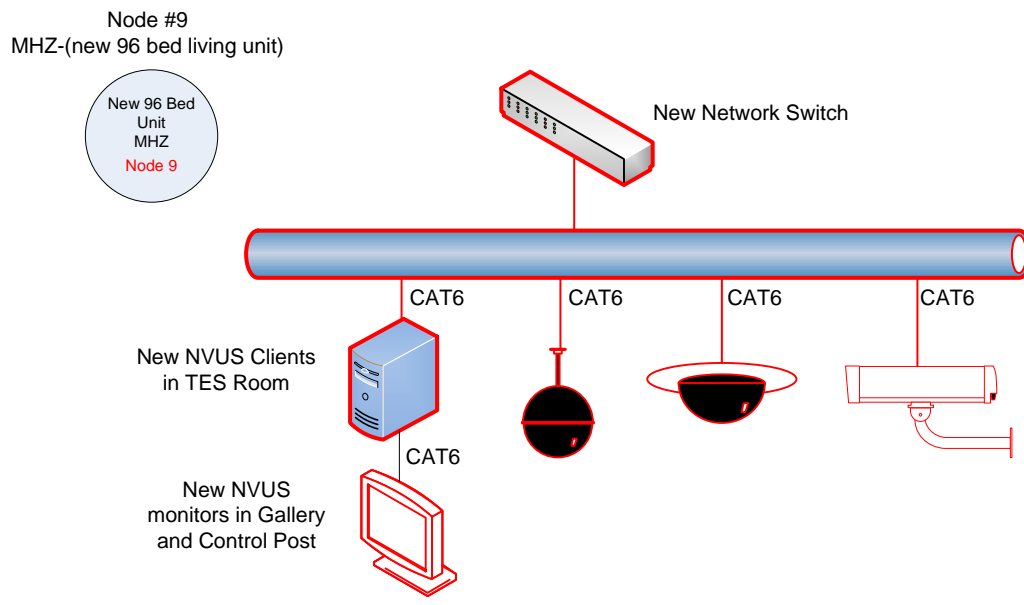
Millhaven Digital CCTV Upgrade - Nodes 8 – 8.1 – 8.1.1



Node #8.1  
MHU-(new kitchen gallery)

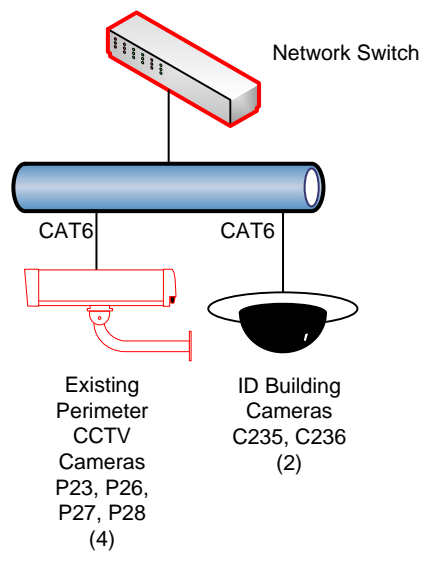


### Millhaven Digital CCTV Upgrade – Node 9

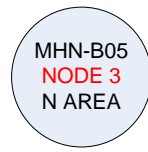
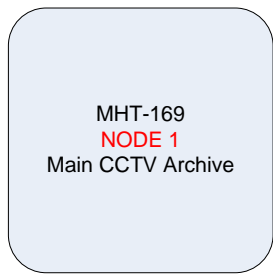


### Millhaven Digital CCTV Upgrade - Node 10

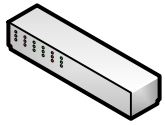
Node #10  
Main Tunnel



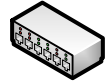
# Legend



Node Number, Location



Network switch



Media Converter



Genetec Directory Server and Archiver



Video Storage Array



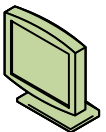
Type 1 & 2 – NVUS Client



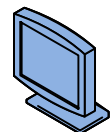
Type 3 – NVUS Client



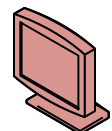
Type 4 – NVUS Client



Type 1 Monitor – Control Post Monitor 22" LED



Type 2 Monitor – Control Post Monitor 27" LED



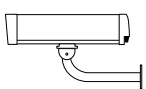
Type 3 Monitor – Control Post Monitor 32" LED



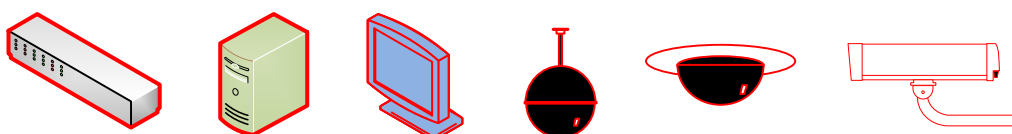
PTZ Dome Camera



Fixed Dome Camera



Outdoor Fixed Box Camera



Equipment outlined in red is existing or provided under another contract