

8

7

6

5

4

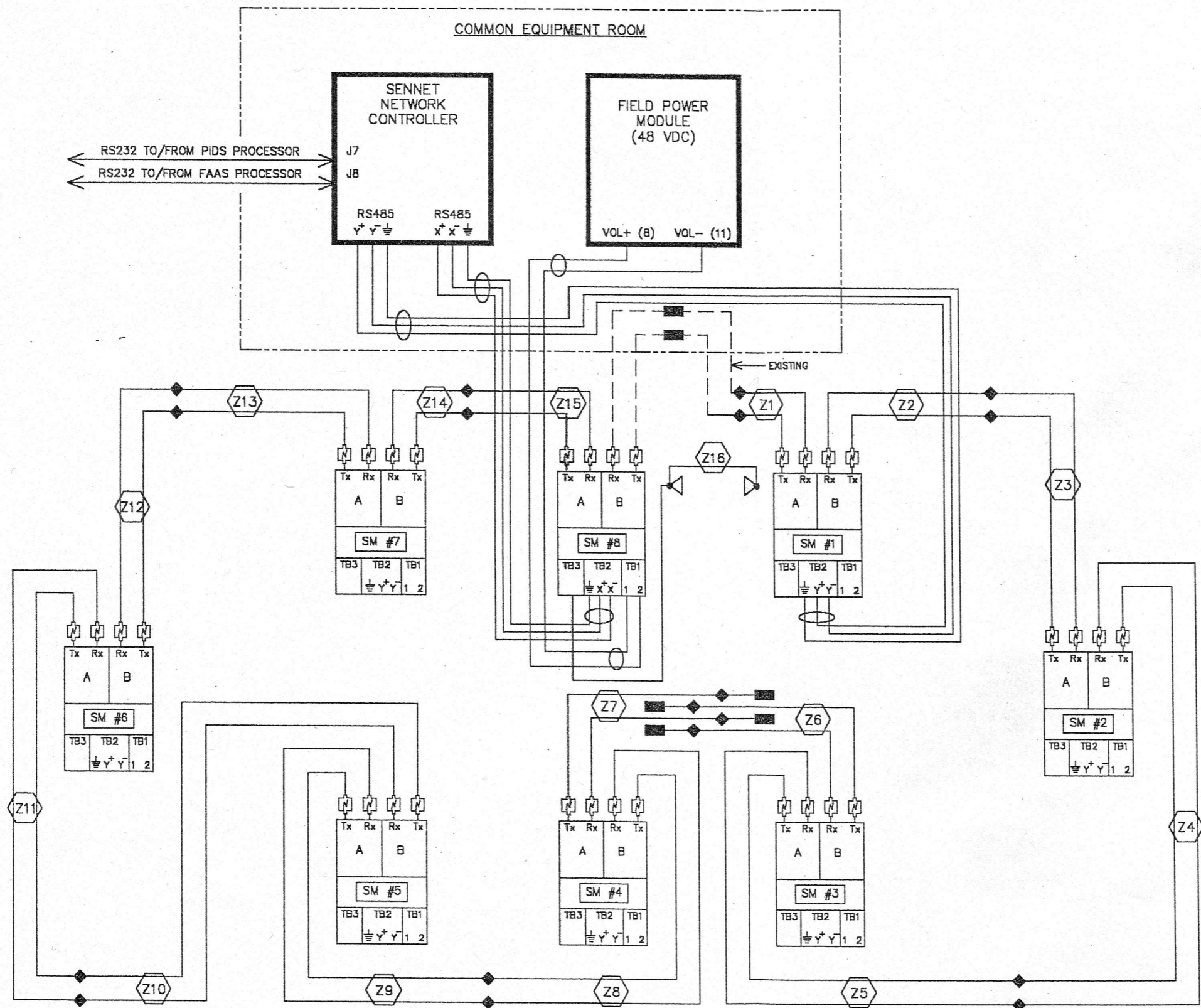
3

CI-100046-00

1

COMPUTER GENERATED  
DO NOT REVISE MANUALLY  
DO NOT SCALE DRAWING

REVISIONS		
ZONE	LTR	DESCRIPTION
-	-	CONFIGURATION BASELINE
0	0	PRELIMINARY
1	1	ON-SITE UPDATES



LEGEND	
SYMBOL	DESCRIPTION
	Perimitrax cables
	Terminators
	Lead In
	Transceiver Module
	Perimitrax Zone/Display Zone
	Extender
	Decoupler
	Microwave

<b>SENSTAR</b>		<b>STELLAR</b>		BOX 13430 KANATA, ONTARIO CANADA K2K 1X5
SIZE	FSCM NO.	PART NUMBER		
D	68327	CI-100046-00		
SCALE	NTS	DRAWING NUMBER	VAR.	
			SHEET 2 of 5	

NOTES

8

7

6

5

4

3

2

1