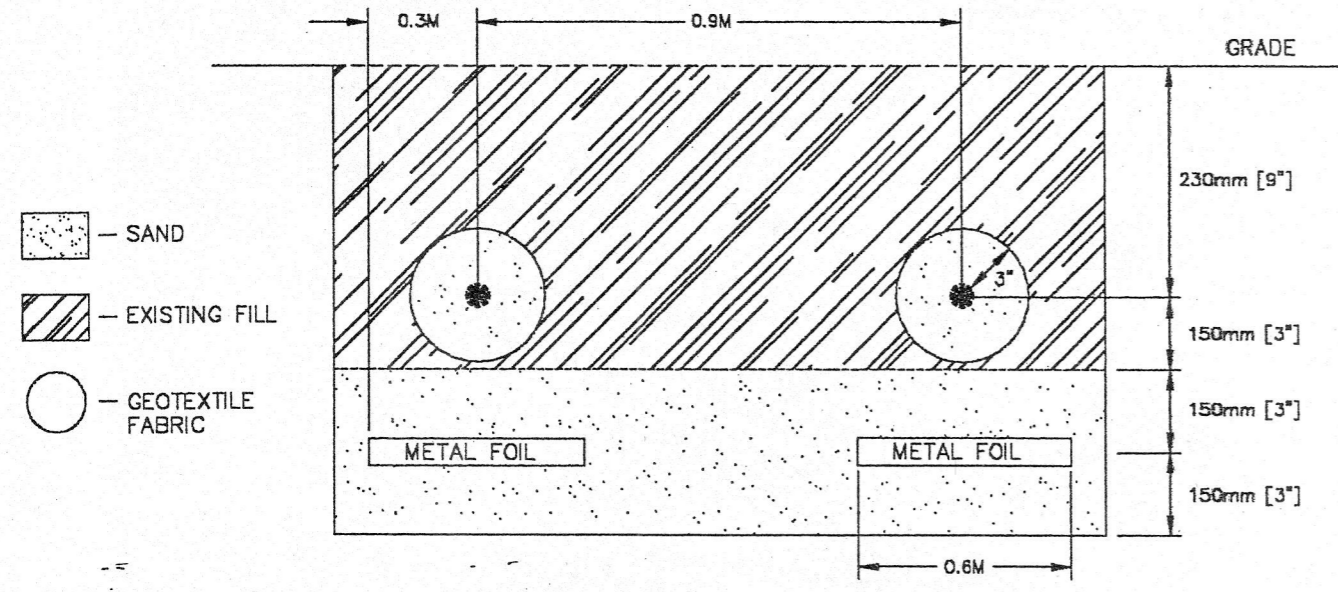
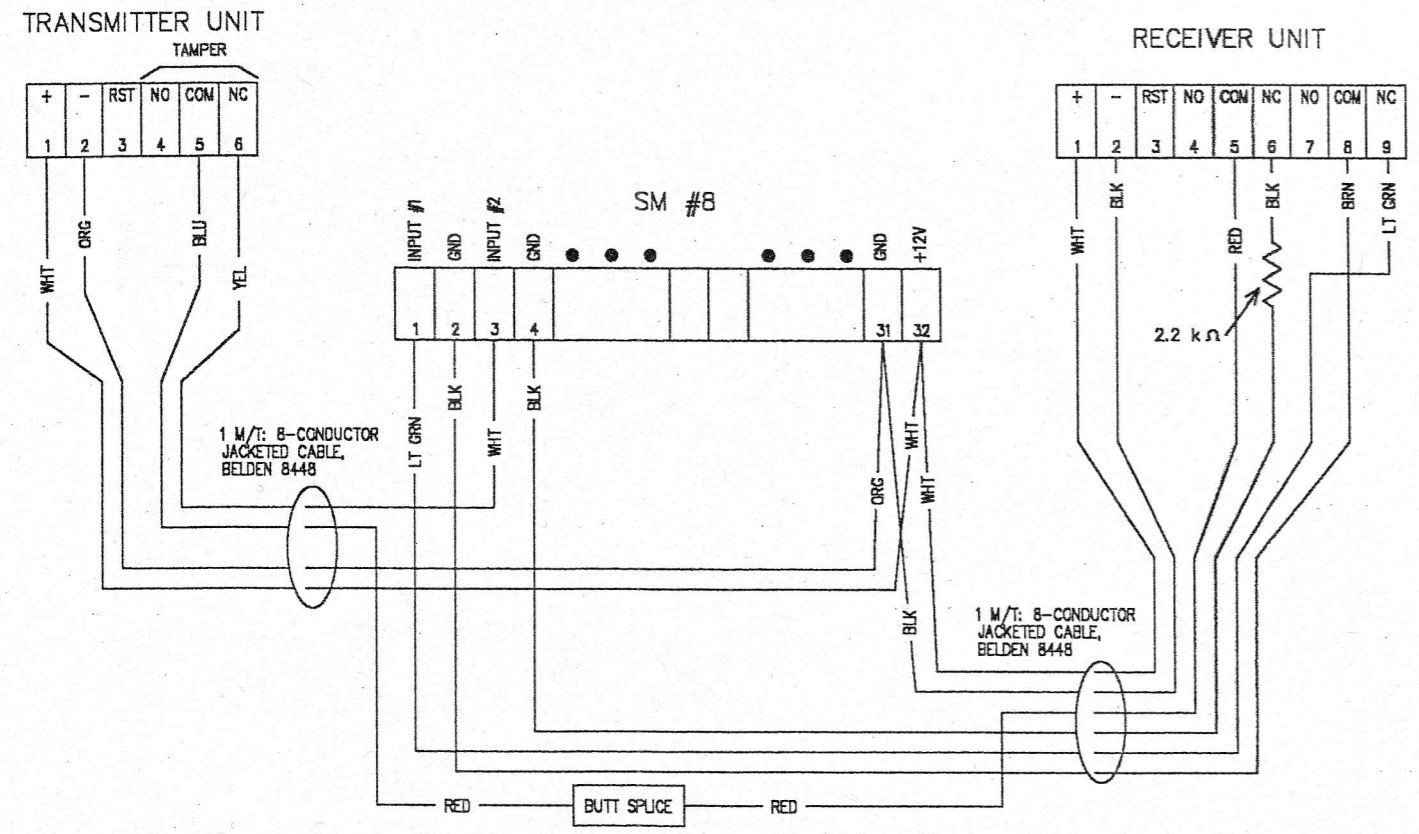


COMPUTER GENERATED
DO NOT REVISE MANUALLY
DO NOT SCALE DRAWING

REVISIONS	
ZONE	DESCRIPTION
-	CONFIGURATION BASELINE
0	PRELIMINARY
1	ON-SITE UPDATES



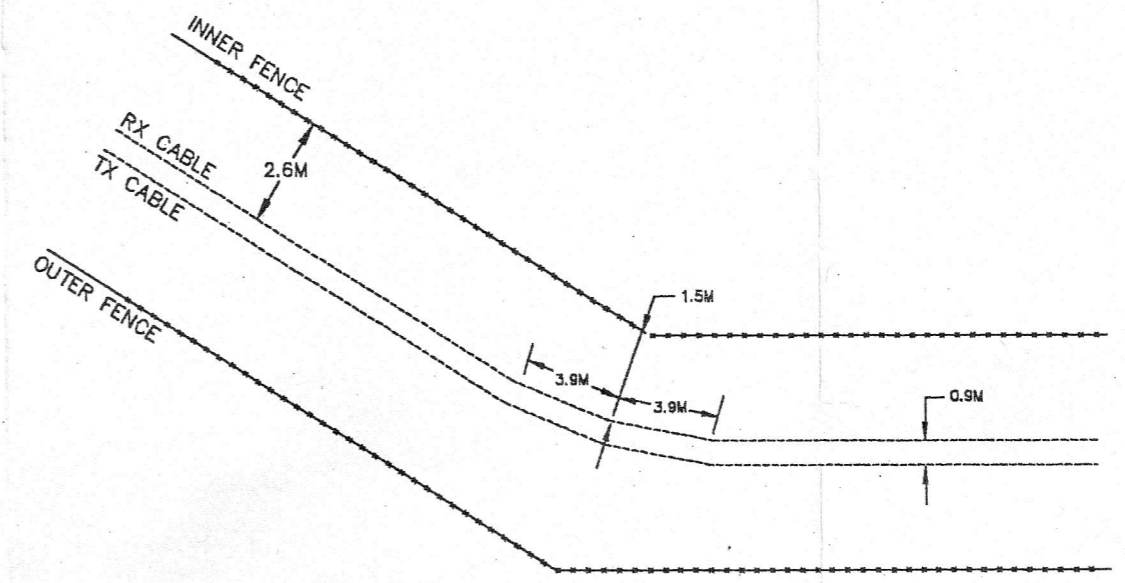
DETAIL 'J' [TRENCH DETAILS]



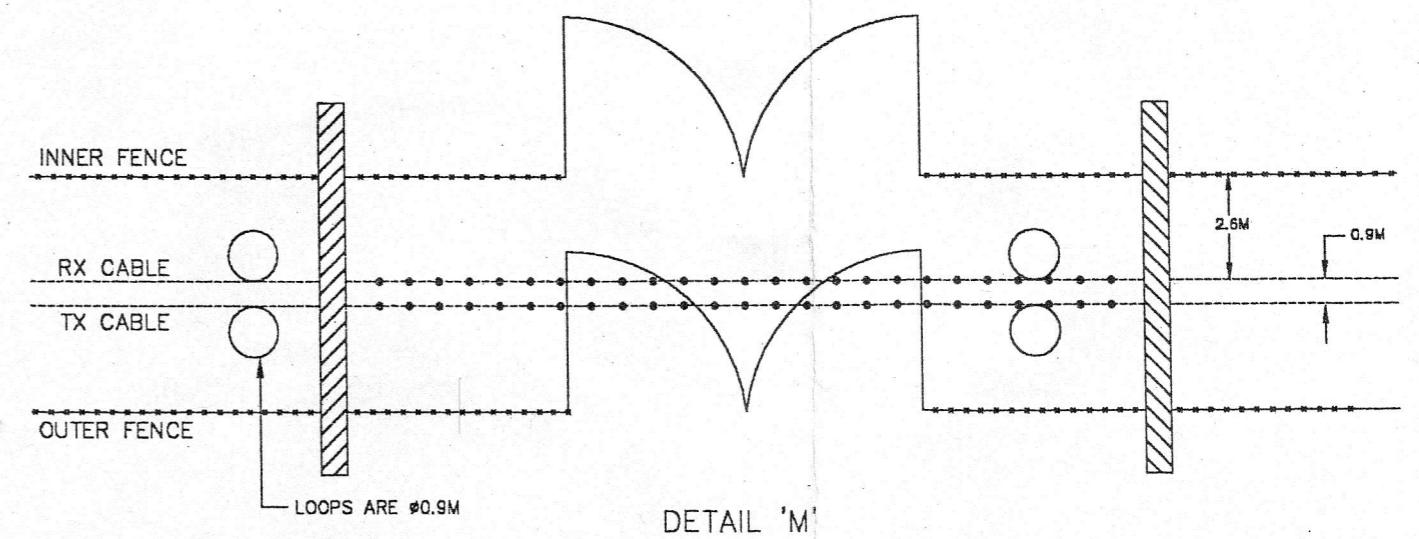
DETAIL 'K'

2. INTERCONNECTION CABLE IS BELDEN 8448 OR EQUIVALENT.
1. MARKING AND CONNECTOR IDENTIFICATION NUMBERS ARE AS PER SOUTHWEST MICROWAVE TERMINAL BLOCKS.

NOTES



DETAIL 'L'



DETAIL 'M'

1. 25 FERRITE BEADS ON RX AND TX CABLES (TOTAL 50) SPREAD OUT EVENLY BETWEEN THE LEXAN PANELS

SENSTAR STELLAR BOX 13430 KANATA, ONTARIO CANADA K2K 1X5

SIZE: D FSCM NO. 68327 PART NUMBER: CI-100046-00

SCALE: NTS DRAWING NUMBER: VAR. SHEET 5 OF 5