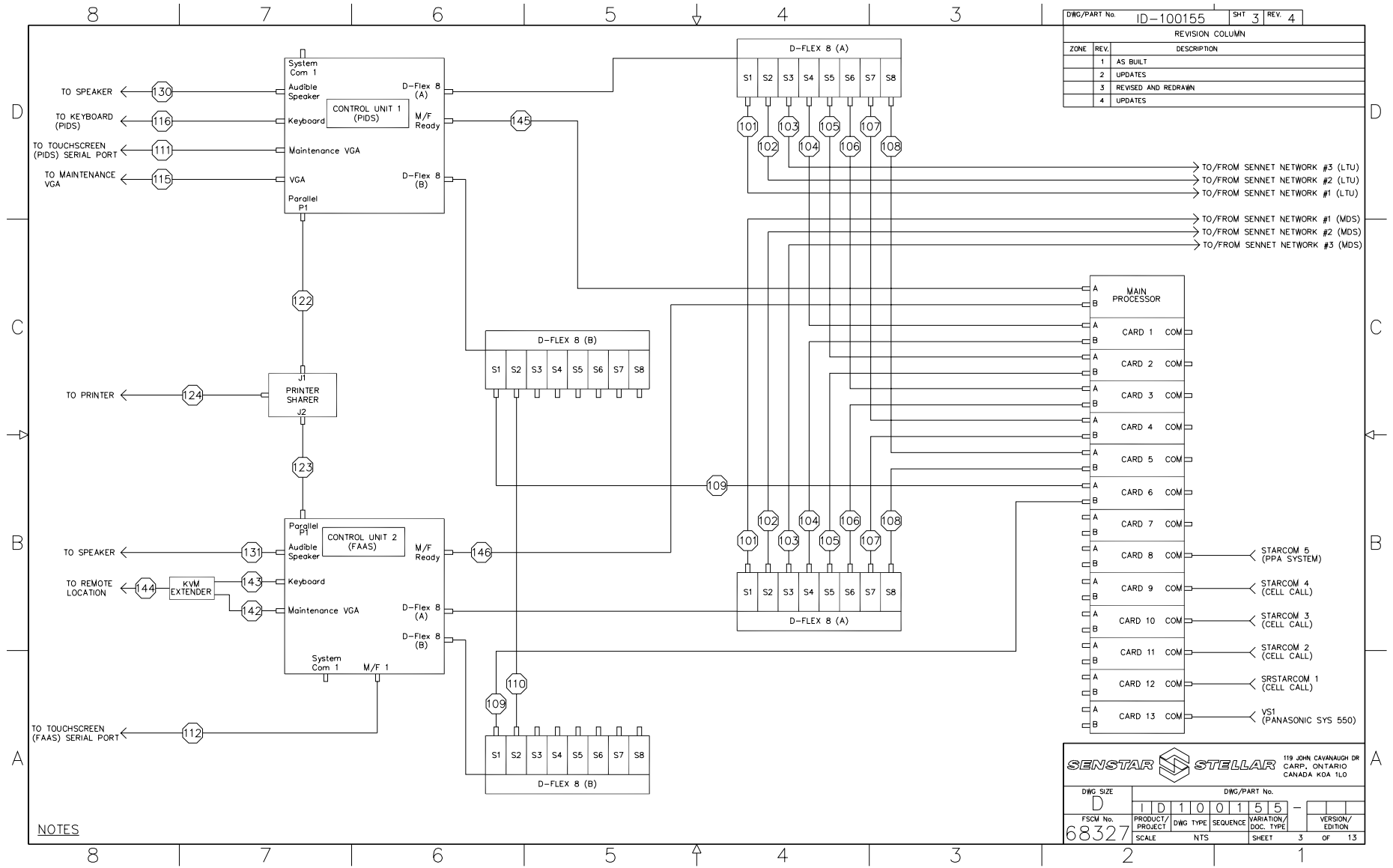


DWG/PART No. ID-100155 SHT 3 REV. 4

REVISION COLUMN		
ZONE	REV.	DESCRIPTION
1	AS BUILT	
2	UPDATES	
3	REVISED AND REDRAWN	
4	UPDATES	



- TO/FROM SENNET NETWORK #3 (LTU)
- TO/FROM SENNET NETWORK #2 (LTU)
- TO/FROM SENNET NETWORK #1 (LTU)
- TO/FROM SENNET NETWORK #1 (MDS)
- TO/FROM SENNET NETWORK #2 (MDS)
- TO/FROM SENNET NETWORK #3 (MDS)

- A MAIN PROCESSOR
- B
- A CARD 1 COM
- B
- A CARD 2 COM
- B
- A CARD 3 COM
- B
- A CARD 4 COM
- B
- A CARD 5 COM
- B
- A CARD 6 COM
- B
- A CARD 7 COM
- B
- A CARD 8 COM
- B
- A CARD 9 COM
- B
- A CARD 10 COM
- B
- A CARD 11 COM
- B
- A CARD 12 COM
- B
- A CARD 13 COM
- B

SENSTAR STELLAR 119 JOHN CAVANAUGH DR. CARP, ONTARIO CANADA K0A 1L0

DWG SIZE	DWG/PART No.			
D	110	10	01	55
FSCM No.	PRODUCT/PROJECT	DWG TYPE	SEQUENCE	VARIATION/DOC. TYPE
68327		NTS		
SCALE			SHEET	3 OF 13

NOTES