

8

7

6

5

4

3

DWG/PART No. ID-100155 SHT 10 REV. 4

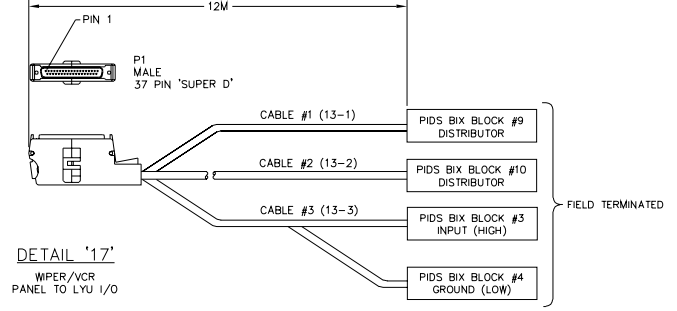
LTU OUTPUTS CABLE #1 (13-1)				
WIRE No.	FROM TERMINATION	WIRE COLOUR	TO TERMINATION PIDS	DESCRIPTION
1	P1-1	RED	PIDS BIX BLOCK #9 PIN 35	VCR #1 DRIVE
20	P1-20	RED/WHITE	PIDS BIX BLOCK #9 PIN 36	
4	P1-22	WHITE	PIDS BIX BLOCK #9 PIN 37	VCR #2 DRIVE
22	P1-4	WHITE/BLACK	PIDS BIX BLOCK #9 PIN 38	
6	P1-6	BLUE	PIDS BIX BLOCK #9 PIN 39	VCR #3 DRIVE
25	P1-25	BLUE/WHITE	PIDS BIX BLOCK #9 PIN 40	
9	P1-27	ORANGE	PIDS BIX BLOCK #9 PIN 41	VCR #4 DRIVE
27	P1-9	ORANGE/BLACK	PIDS BIX BLOCK #9 PIN 42	
11	P1-11	GREEN	PIDS BIX BLOCK #9 PIN 43	VCR #5 DRIVE
30	P1-30	GREEN/WHITE	PIDS BIX BLOCK #9 PIN 44	
14	P1-32	BLACK	PIDS BIX BLOCK #9 PIN 45	VCR #6 DRIVE
32	P1-14	BLACK/WHITE	PIDS BIX BLOCK #9 PIN 46	
16	P1-16	RED/BLACK	PIDS BIX BLOCK #9 PIN 47	VCR #7 DRIVE
35	P1-35	BLUE/BLACK	PIDS BIX BLOCK #9 PIN 48	

CABLE #3 (13-3) DATALOG INPUTS				
WIRE No.	FROM TERMINATION	WIRE COLOUR	TO TERMINATION PIDS	
5	P1-21	RED	BIX BLOCK #3 VCR #1	
10	P1-5	WHITE	BIX BLOCK #3 VCR #1	
15	P1-26	BLUE	BIX BLOCK #3 VCR #1	
18	P1-10	ORANGE	BIX BLOCK #3 VCR #1	
21	P1-31	GREEN	BIX BLOCK #3 VCR #1	
26	P1-15	BLACK	BIX BLOCK #3 VCR #1	
31	P1-36	RED/WHITE	BIX BLOCK #3 VCR #1	
34	P1-34	WHITE/BLACK	BIX BLOCK #4 (GROUND) PINS 1,2,3,4,5,6,7	
36	P1-18	BLUE/WHITE	BIX BLOCK #5 WIPER (MOMENTARY)	
37	P1-37	ORANGE/BLACK	BIX BLOCK #3 WIPER (CONTINUOUS)	

COMPUTER GENERATED  
DO NOT REVISE MANUALLY  
DO NOT SCALE DRAWING

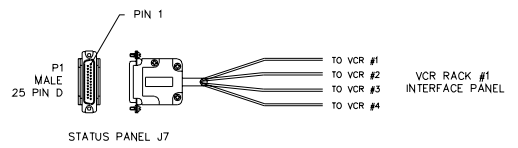
REVISION COLUMN		
ZONE	REV.	DESCRIPTION
	1	AS BUILT
	2	UPDATES
	3	REVISED AND REDRAWN
	4	UPDATES

LTU OUTPUTS CABLE #2 (13-2)				
WIRE No.	FROM TERMINATION	WIRE COLOUR	TO TERMINATION PIDS	DESCRIPTION
2	P1-2	RED	PIDS BIX BLOCK #10 PIN 1	LAMP DRIVE #1
7	P1-23	WHITE	PIDS BIX BLOCK #10 PIN 3	LAMP DRIVE #2
12	P1-7	BLUE	PIDS BIX BLOCK #10 PIN 5	LAMP DRIVE #3
17	P1-28	ORANGE	PIDS BIX BLOCK #10 PIN 7	LAMP DRIVE #4
19	P1-12	GREEN	PIDS BIX BLOCK #10 PIN 9	LAMP DRIVE #5
23	P1-33	BLACK	PIDS BIX BLOCK #10 PIN 11	LAMP DRIVE #6
28	P1-17	RED/BLACK	PIDS BIX BLOCK #10 PIN 13	LAMP DRIVE #7
33	P1-19	WHITE/BLACK	PIDS BIX BLOCK #10 PINS 2,4,6,8,10,12	



DETAIL '17'  
WIPER/VCR  
PANEL TO LYU 1/0

CABLE RUNNING LIST				
DESCRIPTION	WIRE No.	FROM TERMINATION	TO TERMINATION	WIRE COLOUR
VCR #1 DRIVE	1	P1-1	VCR #1 ALARM INPUT	WHITE
	2	P1-14		BLACK
VCR #2 DRIVE	3	P1-3	VCR #2 ALARM INPUT	WHITE
	4	P1-15		BLACK
VCR #3 DRIVE	5	P1-4	VCR #3 ALARM INPUT	WHITE
	6	P1-17		BLACK
VCR #4 DRIVE	7	P1-6	VCR #4 ALARM INPUT	WHITE
	8	P1-18		BLACK



DETAIL '51'

NOTES

**SENSTAR STELLAR** 119 JOHN CAVANAUGH DR. CARP, ONTARIO CANADA K0A 1L0

DWG SIZE <b>D</b>	DWG/PART No.		
FSCM No. <b>68327</b>	PRODUCT/ PROJECT	DWG TYPE	SEQUENCE
SCALE	NTS	SHEET	10 OF 13

8

7

6

5

4

3

2

1