



## Q&A #2

**Date:** February 2, 2015

**Project:** Lighting Retrofit – Lighting Fixtures Replacement (Metric)

---

Bidders must make sure that their bids are based on the latest version of the tender documents published and take into consideration the following amendments and information, including any information provided on amendments or Q&As previously published for this project.

Bidders that do not comply with this requirement will be discarded.

---

**Question 10:** The attached luminaire manufactured by Peerless Electric Co., Ltd., head quartered in Quebec has been offered to us as an alternative to the reference GE luminaire.

Please let us know if the attached could be considered as suitable.

**Answer 10:** After review of the data sheet of the proposed product, the dimensions of this fixture don't match the dimensions of the metric building ceiling grid. Also, the data sheet doesn't provide enough technical information about the fixture as indicated in Appendix E, Technical Specifications, Part 3 – Products, 3.1 Fixtures. Therefore, the LACH3-312G Peerless Electric fixture is not considered an approved equal.

---

**ALL OTHER TERMS AND CONDITIONS REMAIN UNCHANGED**

PROJECT:	DATE:
CAT. NO.:	TYPE:
NOTES	VOLTS:

**GENERAL DESCRIPTION:**

Peerless LACH3 312G LED is an efficient shallow, lensed troffer, applying the most up-to-date LED technologies. Designed for metric "T"-bar, this luminaire is well-suited for commercial office spaces, schools, hospitals or retail spaces.

**CONSTRUCTION:**

Rigid one-piece body constructed from code gauge steel. Clear acrylic prismatic diffuser (supplied as standard) is held within a hinged steel frame. Cam latch release opens frame for easy servicing; positive action, no springs. Retaining hook prevents the hinged frame from disengaging accidentally when open. No visible hardware. 3 1/4" shallow profile. Frame kit available for drywall applications.

**SHIELDING:**

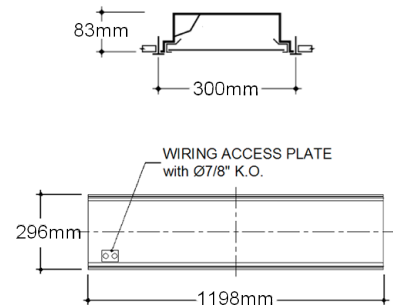
Durable Shielding #12 clear acrylic prismatic diffuser supplied as standard. Other options are available.

**ELECTRICAL:**

Long-life LEDs and high efficiency drivers deliver L70 performance at 50,000 hrs. 120-277V, 347V.

**CERTIFICATIONS:**

Approved to UL1598 and CSA C22.2 No. 250 standards. Rated for damp locations.



**Ordering Information**

LACH3	312G					
SERIES	MODULE SIZE	LED LUMENS OUTPUT*	COLOUR (KELVIN)	SHIELDING	VOLTAGE	BALLAST/DRIVER
	312G = 300mm x 1200mm t-bar ceiling	30 = 3000lm 32 = 3200lm 40 = 4000lm 46 = 4600lm	30K = 3000K 35K = 3500K 40K = 4000K 50K = 5000K	12 = #12 lens 19 = #19 lens FA = Frosted acrylic	MV (120-277V) 347V	OMIT for no dimming D1 = LED dimming driver (down to 1%) D10 = LED dimming driver (down to 10%) SD = Step-dimming driver (100-50%)

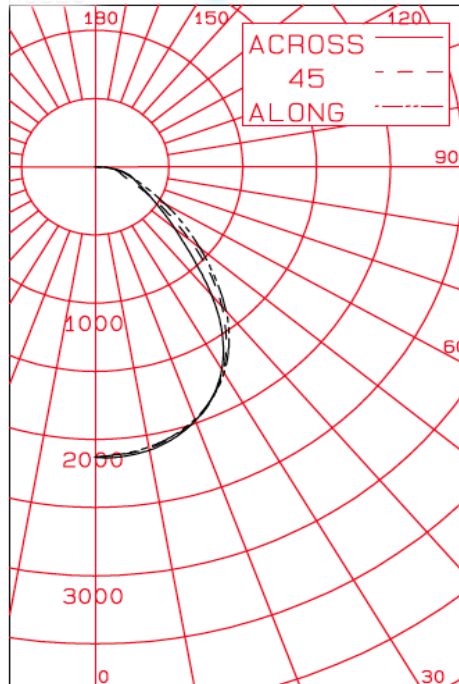
\* Other lumen options available. Consult Factory.

## Efficacy Chart\*

Module	Wattage	Lumens	Lumens Per Watt
300mm x 1200mm	33	3000	92
	34	3200	92
	42	4000	97
	52	4600	88

\* Specifications are subject to change.

## Photometry



### LACH3-312G-46-35K-12 EFFICACY = 88.1 LMS/WATT

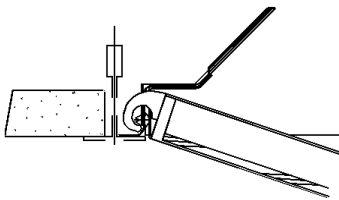
CANDLEPOWER SUMMARY					OUTPUT LUMENS
ANGLE	ALONG	22.5	45	67.5	ACROSS
0	2130	2130	2130	2130	2130
5	2113	2122	2117	2127	2133
15	2042	2052	2050	2055	2061
25	1874	1882	1875	1870	1872
35	1582	1575	1549	1519	1503
45	1148	1147	1099	971	925
55	728	692	612	555	544
65	402	347	290	328	339
75	224	197	175	213	241
85	80	75	71	85	86
90	1	2	2	3	3
95	0	0	0	0	0
105	0	0	0	0	0
115	0	0	0	0	0
125	0	0	0	0	0
135	0	0	0	0	0
145	0	0	0	0	0
155	0	0	0	0	0
165	0	0	0	0	0
175	0	0	0	0	0
180	0	0	0	0	0

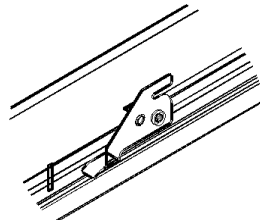
ZONE	LUMENS	% LAMP	%LUMINAIRE
0-30	1641	35.55	35.55
0-40	2601	56.33	56.33
0-60	3981	86.21	86.21
0-90	4617	99.99	99.99
40-90	2016	43.67	43.67
60-90	636	13.78	13.78
90-180	0	.01	.01
0-180	4618	100.00	100.00

## Accessories & Details

HINGE DETAIL



LATCH DETAIL



## PEERLESS ELECTRIC CO. LTD.

### Head Office

**Montreal, QC**  
 9145 Rue Boivin  
 Montreal, Quebec H8R 2E5  
**Tel.: (514) 595-1671**  
 Fax: (514) 595-4411  
 Email: [info@peerless-electric.com](mailto:info@peerless-electric.com)

**Toronto, ON**  
 19 Waterman Avenue, Suite 213  
 Toronto Ontario, M4B 1Y2  
**Tel.: (416) 751-5644**  
 Fax: (416) 751-5622  
 Email: [info@peerless-electric.com](mailto:info@peerless-electric.com)

**Calgary, AB**  
 4120 23rd Street N.E.  
 Calgary, Alberta T2E 6W9  
**Tel.: (403) 291-6788**  
 Fax: (403) 291-6779  
 Email: [info@peerless-electric.com](mailto:info@peerless-electric.com)

Specifications are subject to change. Please confirm latest specifications prior to placing order.