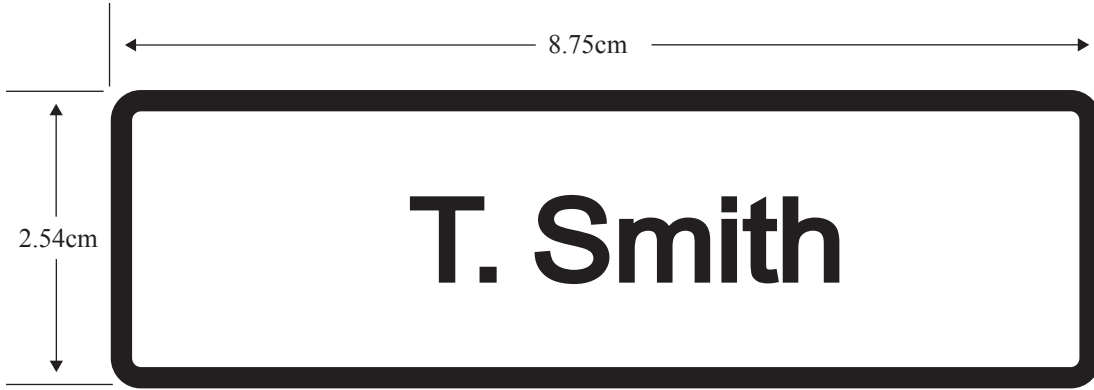
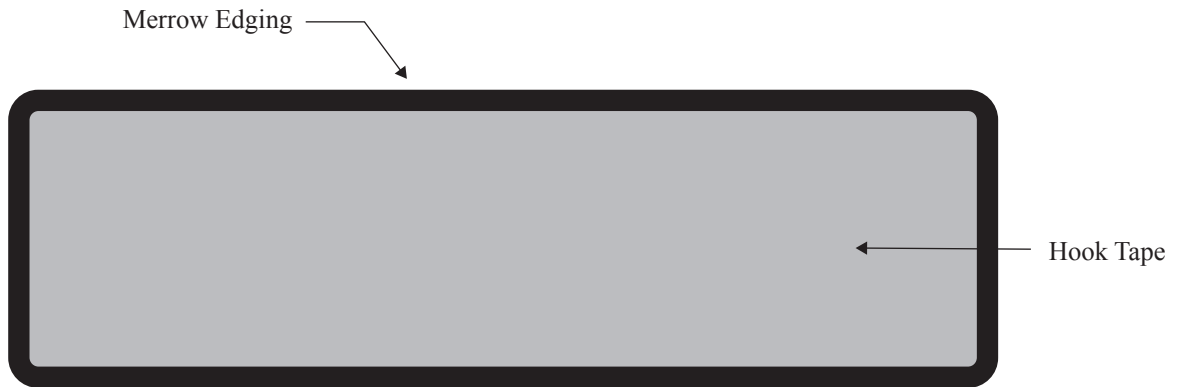


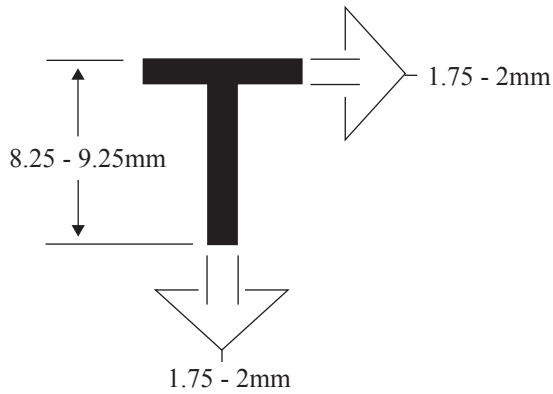
Dwg. 1



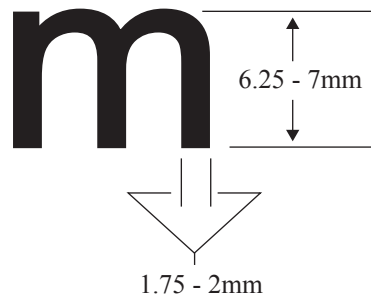
Front View



Rear View



Upper Case Letters

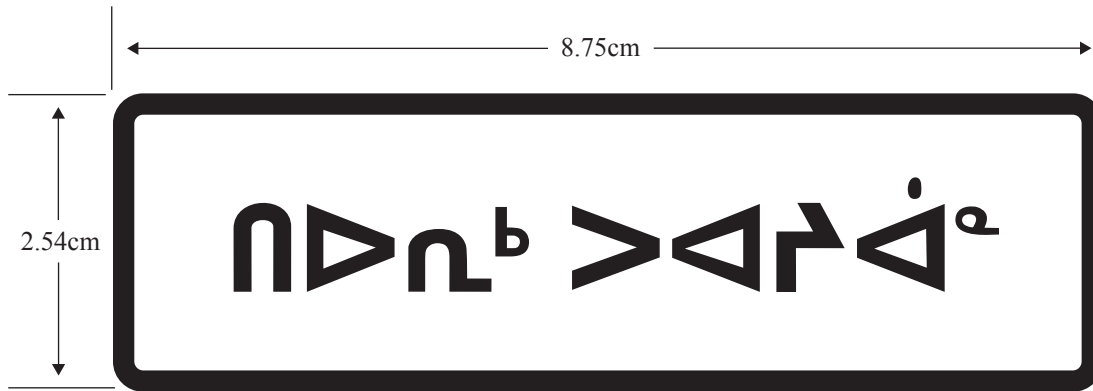


Lower Case Letters

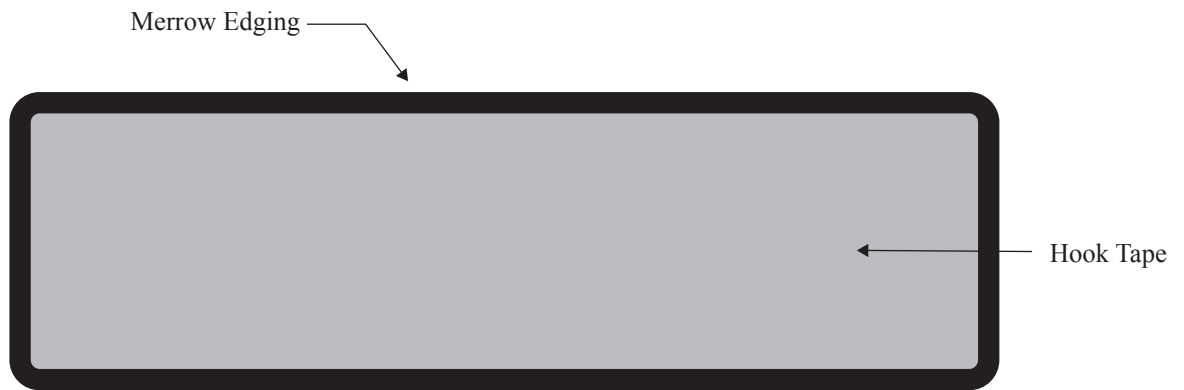
NOT TO SCALE

Canadian Aboriginal Syllabics

Dwg. 2



Front View



Rear View