

KEY PLAN / PLAN D'EMPLACEMENT

## GARDEN OF THE PROVINCES AND TERRITORIES / JARDIN DES PROVINCES ET DES TERRITOIRES (DC-4075-04)

ISSUE FOR TENDER (FEBRUARY 2015) / ÉMMIS POUR SOUMISSION (FÉVRIER 2015)

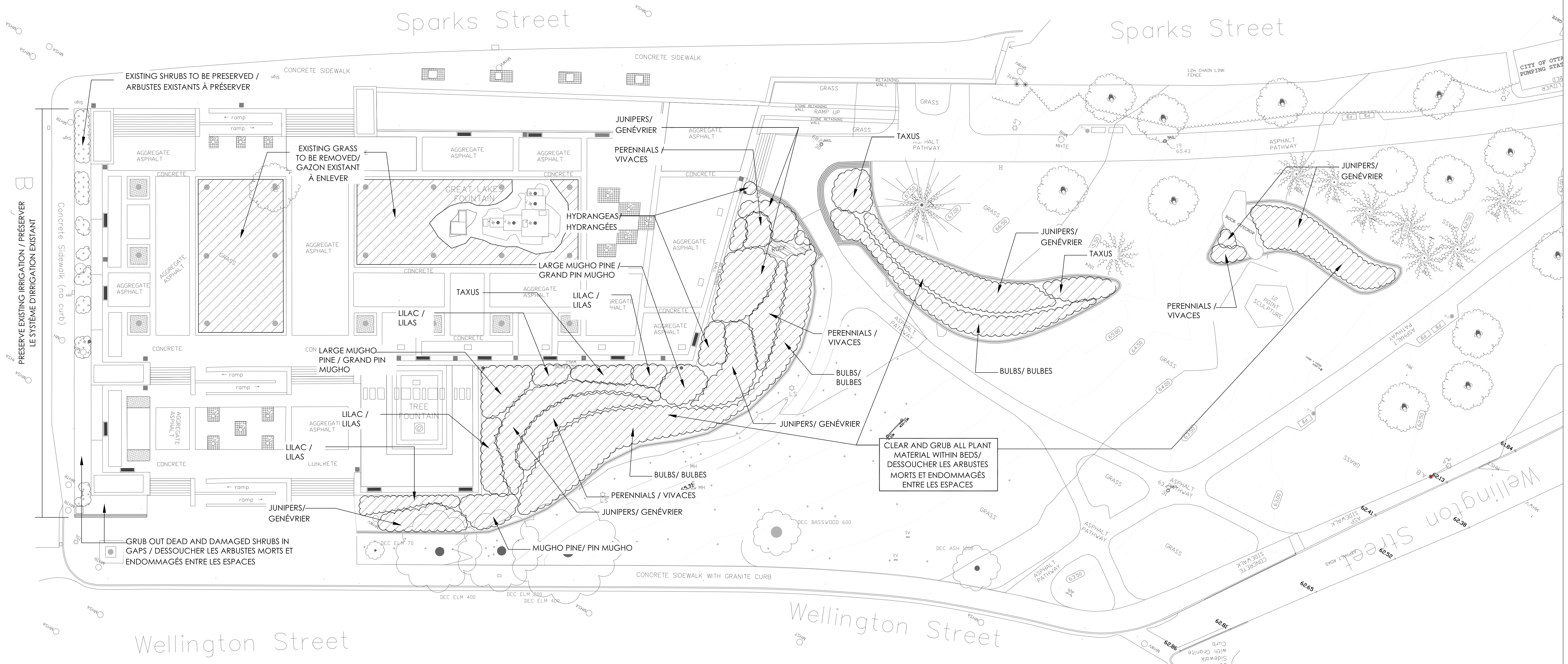
### PLANTING REHABILITATION / RENOUVELLEMENT DE LA PLANTATION

PAGE	TITLE / TITRE
LA-01	REMOVALS - VEGETATION / ENLÈVEMENT - VÉGÉTATION
LA-02	IRRIGATION POWER SUPPLY, BED LAYOUT AND GRADING PLAN / L'ALIMENTATION DE L'IRRIGATION, PLAN D'ENSEMBLE ET NIVELLEMENT
LA-03	PLANTING PLAN (EAST) / AIRE DE PLANTATION (EST)
LA-04	PLANTING PLAN (WEST) / AIRE DE PLANTATION (OUEST)
LA-05	DETAILS / DÉTAILS
IR-01	EXISTING IRRIGATION REMOVAL AND RENOVATION PLAN / ENLÈVEMENT DE IRRIGATION ET PLAN DE RÉNOVATION
IR-02	IRRIGATION
IR-03	IRRIGATION DETAILS (1 OF 2) / DÉTAILS D'IRRIGATION (1 DE 2)
IR-04	IRRIGATION DETAILS (2 OF 2) / DÉTAILS D'IRRIGATION (2 DE 2)





NOTE:  
ALL INDICATED PLANTING GROUPS TO BE REMOVED. / TOUS LES GROUPES DE PLANTATION INDICQUÉ DOIVENT ÊTRE ENLEVÉS



no.	description	date
4	ISSUE FOR TENDER / ÉMIS POUR SOUMISSION	03-02-15
3	ISSUE FOR 95% REVIEW	19-01-15
2	ISSUE FOR 90% REVIEW	09-01-15
1	ISSUE FOR REVIEW	05-01-15

project  
projet

**GARDEN OF THE PROVINCES & TERRITORIES : PLANTING REHABILITATION / JARDIN DES PROVINCES ET DES TERRITOIRES, RENOUVELLEMENT DE LA PLANTATION**

drawing  
dessin

**REMOVALS - VEGETATION / ENLÈVEMENT - VÉGÉTATION**

approved by / approuvé par J. MULLIGAN  
 designed by / conçu par J. MULLIGAN  
 drawn by / dessiné par S. DEGUIRE  
 date / 23/10/14 scale / échelle 1:300  
 NCC project no. / no. du projet de la CCN sheet no. / no. de la feuille  
 DC-4075-04 LA-01

Tuesday, February 03, 2015 10:27:05 AM \\wccn\28\remote\pdc\Design\DC-4075-04\Garden of the Provinces & Territories - Final\DWG\Garden of the Provinces - Terrain.dwg

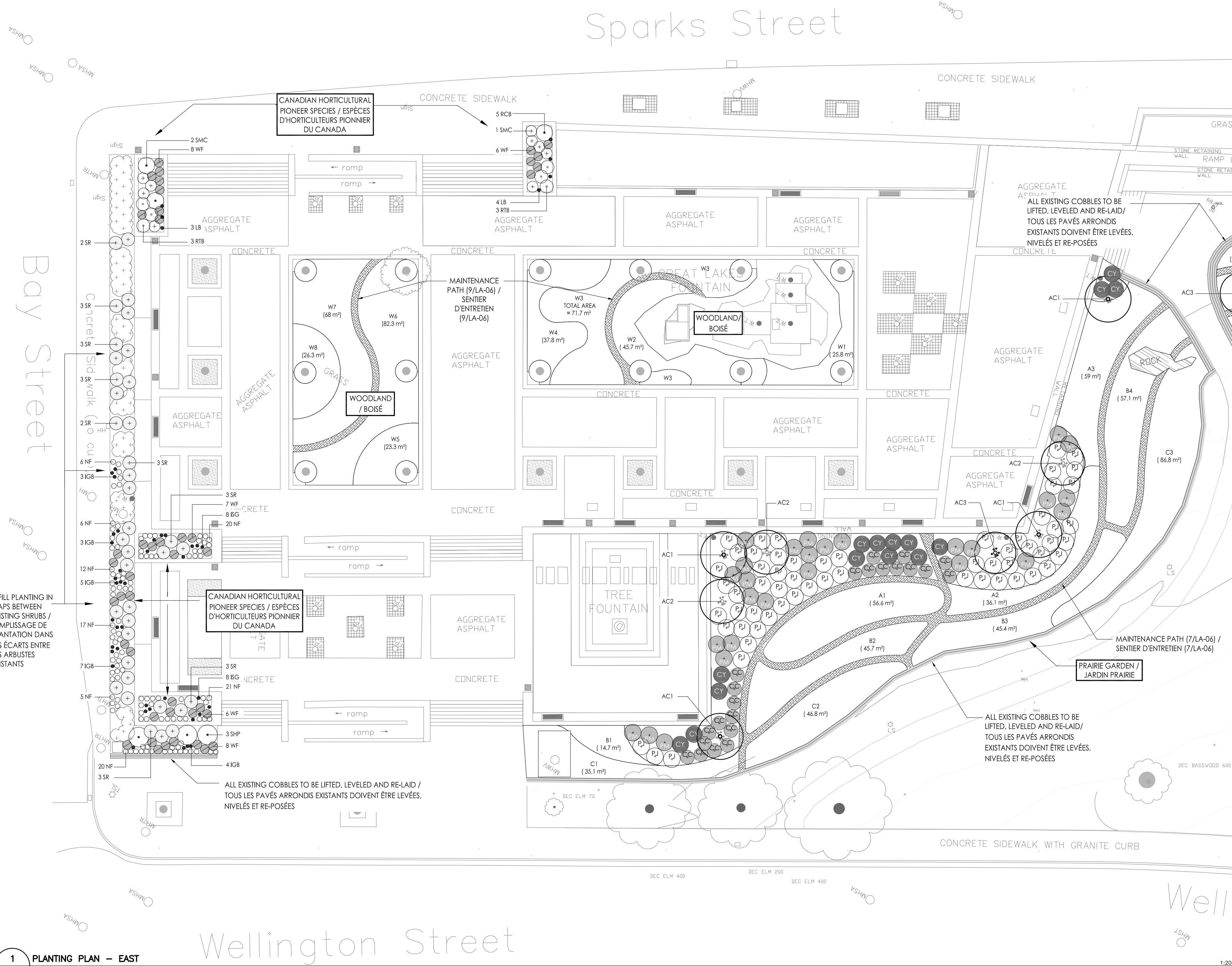






consultant  
expert-conseil

NOTE:  
1. SHALLOW BEDROCK MAY BE  
ENCOUNTERED AROUND EXPOSED  
BEDROCK / SUBSTRATUM ROCHEUX  
PEU PROFOND PEUT ÊTRE  
RENCONTRÉE AUTOUR  
D'AFFLEUREMENTS ROCHEUX



RED / PLATE BAND	SPECIES / ESPÈCES	Size / Grandeur	Spacing / Espacement	Total by species / Total par espèces	Comments / Commentaires
AC1	<i>Amelanchier canadensis</i> (clump)	300 cm ht, WB	4.0 m	5	
AC2	<i>Amelanchier canadensis</i> (clump)	250 cm ht, WB	4.0 m	4	
AC3	<i>Amelanchier canadensis</i> (clump)	200 cm ht, WB	4.0 m	2	
PM	<i>Physocarpus opulifolius</i> Minida	3 gal. pots, 60 cm ht.	1.4 m	27	
PJ	<i>Physocarpus opulifolius</i> Jefam	3 gal. pots, 60 cm ht.	1.4 m	59	
CY	<i>Cornus sericea</i> 'Bud's Yellow'	3 gal. pots, 80 cm ht.	1.4 m	15	
CC	<i>Cornus sanguinea</i> 'Cato' (Arctic Sun)	3 gal. pots, 40 cm ht.	1.2 m	24	
<b>PRAIRIE GARDEN PERENNIALS &amp; GRASSES / VIVACES ET GRAMINÉES, JARDIN PRAIRIE</b>					
A1	<i>Panicum virgatum</i> 'Heavy Metal'	1 gal. pots	45 cm	133	
	<i>Rudbeckia subtomentosa</i> 'Henry Ellers'	1 gal. pots	40 cm	89	
	<i>Veronicastrum virginicum</i> 'Fascination'	1 gal. pots	40 cm	119	group 3-5 plants
	<i>Verbena hastata</i>	10 cm pots	40 cm	30	
	<b>TOTAL</b>			<b>351</b>	
A1-CL	<i>Compassia leichlinii</i> 'Blue Danube' or 'Electra'	14 cm min. bulb size	30cm	208	interplant
A2	<i>Deschampsia cespitosa</i> 'Bronzeschlier'	1 gal. pots	45 cm	90	
	<i>Echinacea</i> 'Tiki Torch'	1 gal. pots	40 cm	88	group 3-5 plants
	<i>Verbena stricta</i>	10 cm pots	40 cm	38	
	<b>TOTAL</b>			<b>327</b>	
A2-CL	<i>Compassia leichlinii</i> 'Blue Danube' or 'Electra'	14 cm min. bulb size	30cm	132	interplant
A3	<i>Panicum virgatum</i> 'Heavy Metal'	1 gal. pots	45 cm	118	
	<i>Rudbeckia subtomentosa</i> 'Henry Ellers'	1 gal. pots	40 cm	83	
	<i>Veronicastrum virginicum</i> 'Fascination'	1 gal. pots	40 cm	124	group 3-5 plants
	<i>Verbena hastata</i>	10 cm pots	40 cm	41	
	<b>TOTAL</b>			<b>366</b>	
A3-CL	<i>Compassia leichlinii</i> 'Blue Danube' or 'Electra'	14 cm min. bulb size	30cm	216	interplant
A4	<i>Deschampsia cespitosa</i> 'Bronzeschlier'	1 gal. pots	45 cm	33	
	<i>Echinacea</i> 'Tiki Torch'	1 gal. pots	40 cm	32	group 3-5 plants
	<i>Verbena stricta</i>	10 cm pots	40 cm	14	
	<b>TOTAL</b>			<b>79</b>	
A4-CL	<i>Compassia leichlinii</i> 'Blue Danube' or 'Electra'	14 cm min. bulb size	30cm	48	interplant
B1	<i>Schizachyrium scoparium</i> 'The Blues'	1 gal. pots	40 cm	31	
	<i>Bouteloua curtipendula</i>	10 cm pots	35 cm	20	
	<i>Zizia aurea</i>	1 gal. pots	35 cm	13	
	<i>Liatris spicata</i>	10 cm pots	30cm	24	group 3-5 plants
	<i>Rotbida columbifera</i>	1 gal. pots	40 cm	31	
	<b>TOTAL</b>			<b>119</b>	
B1-CL	<i>Compassia leichlinii</i> 'Blue Danube' or 'Electra'	14 cm min. bulb size	30cm	40	interplant
B1-TSP	<i>Tulipa</i> 'Spring Green'	12 cm min. bulb size	15 cm	158	interplant
B2	<i>Schizachyrium scoparium</i> 'The Blues'	1 gal. pots	40 cm	126	
	<i>Bouteloua curtipendula</i>	10 cm pots	35 cm	62	
	<i>Echinoacea pallida</i>	10 cm pots	35 cm	103	
	<i>Echinoacea purpurea</i> 'Fatal Attraction'	1 gal. pots	35 cm	82	
	<b>TOTAL</b>			<b>375</b>	
B2-CL	<i>Compassia leichlinii</i> 'Blue Danube' or 'Electra'	14 cm min. bulb size	30cm	126	interplant
B2-TSP	<i>Tulipa</i> 'Spring Green'	12 cm min. bulb size	15 cm	491	interplant
B3	<i>Schizachyrium scoparium</i> 'The Blues'	1 gal. pots	40 cm	95	
	<i>Bouteloua curtipendula</i>	10 cm pots	35 cm	61	
	<i>Zizia aurea</i>	1 gal. pots	35 cm	41	
	<i>Liatris spicata</i>	10 cm pots	30 cm	75	group 3-5 plants
	<i>Rotbida columbifera</i>	1 gal. pots	40 cm	95	
	<b>TOTAL</b>			<b>368</b>	
B3-CL	<i>Compassia leichlinii</i> 'Blue Danube' or 'Electra'	14 cm min. bulb size	30cm	125	interplant
B3-TSP	<i>Tulipa</i> 'Spring Green'	12 cm min. bulb size	15 cm	488	interplant
B4	<i>Schizachyrium scoparium</i> 'The Blues'	1 gal. pots	40 cm	160	
	<i>Bouteloua curtipendula</i>	10 cm pots	35 cm	77	
	<i>Echinoacea pallida</i>	10 cm pots	35 cm	128	
	<i>Echinoacea purpurea</i> 'Fatal Attraction'	1 gal. pots	35 cm	103	group 3-5 plants
	<b>TOTAL</b>			<b>468</b>	
B4-CL	<i>Compassia leichlinii</i> 'Blue Danube' or 'Electra'	14 cm min. bulb size	30cm	157	interplant
B4-TSP	<i>Tulipa</i> 'Spring Green'	12 cm min. bulb size	15 cm	614	interplant
B5	<i>Schizachyrium scoparium</i> 'The Blues'	1 gal. pots	40 cm	45	
	<i>Bouteloua curtipendula</i>	10 cm pots	35 cm	81	
	<i>Allium philadelphicum</i>	10 cm pots	40 cm	36	group 3-5 plants
	<i>Zizia aurea</i>	1 gal. pots	35 cm	46	
	<b>TOTAL</b>			<b>208</b>	
B5-CL	<i>Compassia leichlinii</i> 'Blue Danube' or 'Electra'	14 cm min. bulb size	30cm	71	interplant
B5-TSP	<i>Tulipa</i> 'Spring Green'	12 cm min. bulb size	15 cm	276	interplant
B6	<i>Schizachyrium scoparium</i> 'The Blues'	1 gal. pots	40 cm	73	
	<i>Bouteloua curtipendula</i>	10 cm pots	35 cm	40	
	<i>Echinoacea pallida</i>	10 cm pots	35 cm	67	
	<i>Echinoacea purpurea</i> 'Fatal Attraction'	1 gal. pots	35 cm	67	group 3-5 plants
	<b>TOTAL</b>			<b>247</b>	
B6-CL	<i>Compassia leichlinii</i> 'Blue Danube' or 'Electra'	14 cm min. bulb size	30cm	82	interplant
B6-TSP	<i>Tulipa</i> 'Spring Green'	12 cm min. bulb size	15 cm	320	interplant
C1	<i>Eragrostis spectabilis</i>	1 gal. pots	45 cm	70	
	<i>Rudbeckia fulgida</i> 'Goldstrum'	10 cm pots	45 cm	59	toward back half
	<i>Gallardia x grandiflora</i> 'Arizona Apricot'	1 gal. pots	30 cm	58	toward front half
	<i>Gallardia x grandiflora</i> 'Fandora'	1 gal. pots	40 cm	37	toward front half
	<i>Anemone patens</i> ( <i>Pulsatilla patens</i> )	1 gal. pots	25 cm	26	group 3-5 plants
	<b>TOTAL</b>			<b>235</b>	
CL-TSP	<i>Tulipa</i> 'Spring Green'	12 cm min. bulb size	15 cm	377	interplant
CL-TT	<i>Tulipa turkestanica</i>	bulbs	15 cm	377	interplant
C2	<i>Eragrostis spectabilis</i>	1 gal. pots	45 cm	59	
	<i>Anaphalis margaritacea</i>	10 cm pots	40 cm	82	
	<i>Gallardia x grandiflora</i> 'Arizona Apricot'	1 gal. pots	30 cm	154	toward front half
	<i>Rudbeckia fulgida</i> 'Goldstrum'	10 cm pots	40 cm	49	toward back half
	<i>Anemone patens</i> ( <i>Pulsatilla patens</i> )	1 gal. pots	25 cm	35	group 3-5 plants
	<b>TOTAL</b>			<b>379</b>	
C2-TSP	<i>Tulipa</i> 'Spring Green'	12 cm min. bulb size	15 cm	503	interplant
C2-TT	<i>Tulipa turkestanica</i>	bulbs	15 cm	503	interplant
C3	<i>Eragrostis spectabilis</i>	1 gal. pots	45 cm	174	
	<i>Rudbeckia fulgida</i> 'Goldstrum'	10 cm pots	45 cm	109	toward back half
	<i>Gallardia x grandiflora</i> 'Arizona Apricot'	1 gal. pots	30 cm	143	toward front half
	<i>Gallardia x grandiflora</i> 'Fandora'	1 gal. pots	40 cm	91	toward front half
	<i>Anemone patens</i> ( <i>Pulsatilla patens</i> )	1 gal. pots	25 cm	65	group 3-5 plants
	<b>TOTAL</b>			<b>582</b>	
CA-TSP	<i>Tulipa</i> 'Spring Green'	12 cm min. bulb size	15 cm	933	interplant
CA-TT	<i>Tulipa turkestanica</i>	bulbs	15 cm	933	interplant
CA	<i>Eragrostis spectabilis</i>	1 gal. pots	45 cm	30	
	<i>Anaphalis margaritacea</i>	10 cm pots	40 cm	35	
	<i>Gallardia x grandiflora</i> 'Arizona Apricot'	1 gal. pots	30 cm	56	toward front half
	<i>Rudbeckia fulgida</i> 'Goldstrum'	10 cm pots	40 cm	45	toward back half
	<i>Anemone patens</i> ( <i>Pulsatilla patens</i> )	1 gal. pots	25 cm	15	group 3-5 plants
	<b>TOTAL</b>			<b>182</b>	
CA-TSP	<i>Tulipa</i> 'Spring Green'	12 cm min. bulb size	15 cm	217	interplant
CA-TT	<i>Tulipa turkestanica</i>	bulbs	15 cm	217	interplant

no.	description	date
4	ISSUE FOR TENDER / ÉMIS POUR SOUMISSION	03-02-15
3	ISSUE FOR 95% REVIEW	19-01-15
2	ISSUE FOR 90% REVIEW	09-01-15
1	ISSUE FOR REVIEW	05-01-14

GARDEN OF THE PROVINCES &  
TERRITORIES : PLANTING  
REHABILITATION /  
JARDIN DES PROVINCES ET DES  
TERRITOIRES: RENOUVELLEMENT DE  
LA PLANTATION

PLANTING AREAS (EAST) /  
AIRE DE PLANTATION (EST)

approved by /  
approuvé par J. MULLIGAN  
designed by /  
conçu par J. MULLIGAN  
drawn by /  
dessiné par S. DEGUIRE  
date /  
date 23/10/14 scale /  
échelle AS NOTED  
NCC project no. /  
no. du projet de la CCN sheet no. /  
no. de la feuille  
DC-4075-04 LA-03

1 PLANTING PLAN - EAST  
LA-04 PLAN DE PLANTATION - EST

CANADIAN HORTICULTURAL PIONEER SPECIES	Quantity	Size	Notes
IGB Iris sibirica 'Gottineu'	1 gal. pots	45 cm	16
IGB Iris x versata 'Sogo Bay'	1 gal. pots	30 cm	22
LB Lonicera x bromani 'Dragonfire Scarlet'	1 gal. pots	100 cm	7
NF Nepeta x brassica 'Dragon Blue'	1 gal. pots	45 cm	110
RCB Rosa 'Candice Bessie'	2 gal. pots	100 cm	9
RTB Rosa 'Therese Bugnet'	2 gal. pots	120 cm	6
SR Sambucus racemosa 'Goldenlocks'	3 gal. pots, 50 cm ht.	120 cm	37
SMC Syringa x prestoniae 'Miss Canada'	5 gal. pots, 80 cm ht.	150 cm	3
SHP Syringa x hyacinthiflora 'Peachantosa'	3 gal. pots, 80 cm ht.	180 cm	3
WF Weigela florida 'Minuet'	3 gal. pots, 40 cm ht.	80 cm	43
TSP Tulipa 'Spring Green'	12 cm min. bulb size	15 cm	387
TN Tulipa 'Newry'	12 cm min. bulb size	15 cm	387
TT Tulipa turkestanica	15 cm top size	15 cm	860
CF Chionodoxa forbesii 'Blue Giant'	top size	15 cm	860

WOODLAND GARDEN	Quantity	Size	Notes
W1 <i>Viola labradorica</i>	10 cm pots	30 cm	170
<i>Adiantum pedatum</i>	10 cm pots	30 cm	85
<i>Trillium grandiflorum</i>	10 cm pots	30 cm	28
<b>TOTAL</b>			<b>284</b>
W2 <i>Viola labradorica</i>	10 cm pots	30 cm	151
<i>Carex plantaginifera</i>	10 cm pots	30 cm	151
<i>Adiantum pedatum</i>	10 cm pots	30 cm	151
<i>Mertensia virginica</i>	10 cm pots	30 cm	50
<b>TOTAL</b>			<b>503</b>
W3 <i>Asarum canadense</i>	10 cm pots	30 cm	52
<i>Podophyllum peltatum</i>	10 cm pots	90 cm	22
<b>TOTAL</b>			<b>223</b>
W4 <i>Trillium grandiflorum</i>	10 cm pots	30 cm	249
<i>Adiantum pedatum</i>	10 cm pots	30 cm	125
<i>Trillium grandiflorum</i>	10 cm pots	30 cm	42
<b>TOTAL</b>			<b>416</b>

WOODLAND GARDEN	Quantity	Size	Notes
W5 <i>Viola labradorica</i>	10 cm pots	30 cm	103
<i>Adiantum pedatum</i>	10 cm pots	30 cm	128
<i>Trillium grandiflorum</i>	10 cm pots	30 cm	26
<b>TOTAL</b>			<b>257</b>
W6 <i>Cornus canadensis</i>	10 cm pots	30 cm	543
<i>Adiantum pedatum</i>	10 cm pots	30 cm	272
<i>Gentiana andrewsii</i>	10 cm pots	30 cm	91
<b>TOTAL</b>			<b>906</b>
W7 <i>Carex pensylvanica</i>	10 cm pots	30 cm	561
<i>Gentiana andrewsii</i>	10 cm pots	30 cm	112
<i>Mertensia virginica</i>	10 cm pots	30 cm	75
<b>TOTAL</b>			<b>748</b>
W8 <i>Trillium grandiflorum</i>	10 cm pots	30 cm	260
<i>Trillium grandiflorum</i>	10 cm pots	30 cm	29
<b>TOTAL</b>			<b>289</b>

2 CANADIAN HORTICULTURAL PIONEERS - PLANT LIST  
LA-04 HORTICULTEUR PIONNIER DU CANADA - LISTE DE PLANTATION

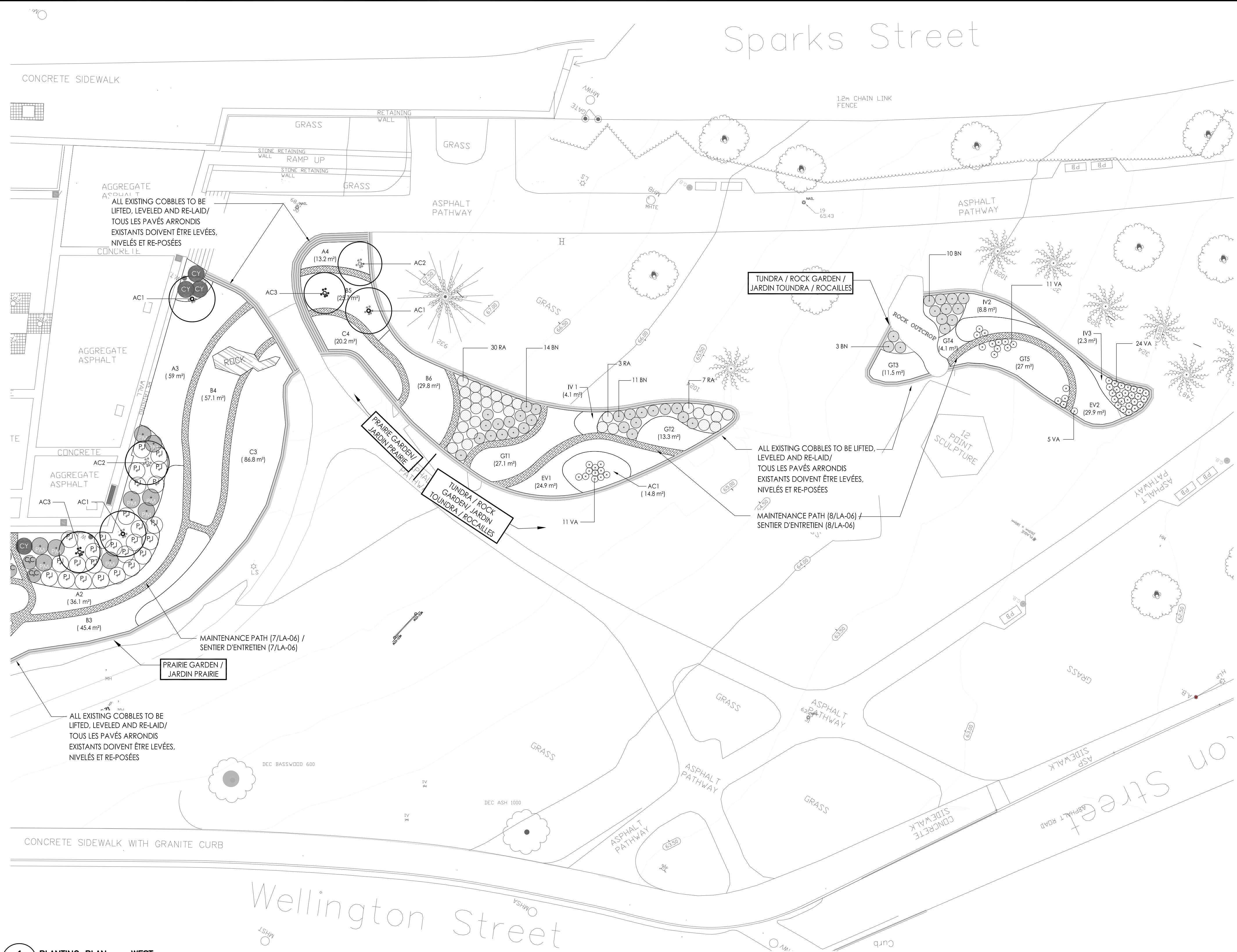
3 WOODLAND GARDEN PLANT LIST  
LA-04 JARDIN BOISÉ - LISTE DE PLANTATION

4 PRAIRIE GARDEN - PLANT LIST  
LA-04 JARDIN DE PRAIRIE - LISTE DE PLANTATION

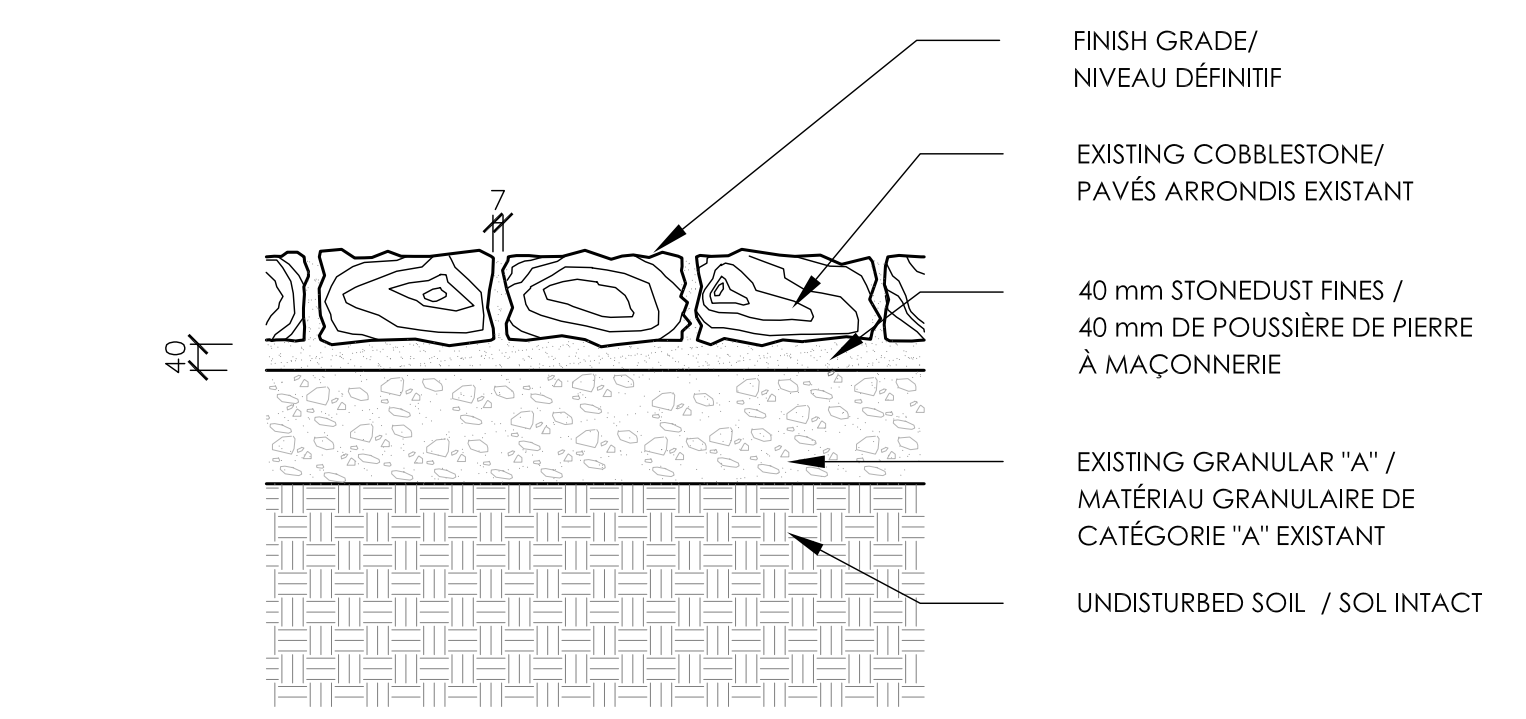


NOTE:

- SHALLOW BEDROCK MAY BE ENCOUNTERED AROUND EXPOSED BEDROCK / SUBSTRATUM ROCHEUX PEU PROFOND PEUT ÊTRE RENCONTRÉE AUTOUR DE L'AFFLEUREMENTS ROCHEUX



1 PLANTING PLAN - WEST  
LA-05 PLANT DE PLANTATION - OUEST



2 COBBLE EDGE REINSTATEMENT  
LA-05 RÉINSTALLATION DE LA BORDURE DE PAVÉS ARRONDIS

3 TUNDRA / ROCK GARDEN - PLANT LIST  
LA-05 JARDIN TOUNDRA / ROCAILLES - LISTE DE PLANTATION

Code	Plant Name	Quantity	Size	Notes
RA	Rosa acicularis	3 gal. pots	100 cm	30
VA	Vaccinium angustifolium	13 cm pots, 30 cm ht	60 cm	51
BN	Betula nana	3 gal. pots	100 cm	38
EV1	Eriophorum vaginatum	10 cm pots	45 cm	125
EV2	Eriophorum vaginatum	10 cm pots	45 cm	142
GT1 Mix	Geum triflorum	10 cm pots	30 cm	238
	Pulsatilla vulgaris/Anemone patens	1 gal. pots	25 cm	41
	Dodecatheon media 'Aphrodite'	1 gal. pots	30 cm	30
TOTAL				309
GT2 Mix	Geum triflorum	10 cm pots	30 cm	117
	Pulsatilla vulgaris/Anemone patens	1 gal. pots	25 cm	20
	Dodecatheon media 'Aphrodite'	1 gal. pots	30 cm	15
TOTAL				152
GT3 Mix	Geum triflorum	10 cm pots	30 cm	101
	Pulsatilla vulgaris/Anemone patens	1 gal. pots	25 cm	17
	Dodecatheon media 'Aphrodite'	1 gal. pots	30 cm	13
TOTAL				131
GT4 Mix	Geum triflorum	10 cm pots	30 cm	34
	Pulsatilla vulgaris/Anemone patens	1 gal. pots	25 cm	6
	Dodecatheon media 'Aphrodite'	1 gal. pots	30 cm	4
TOTAL				44

3 TUNDRA / ROCK GARDEN - PLANT LIST  
LA-05 JARDIN TOUNDRA / ROCAILLES - LISTE DE PLANTATION

4 PRAIRIE GARDEN - PLANT LIST  
LA-05 JARDIN PRAIRIE - LISTE DE PLANTATION

Code	Plant Name	Quantity	Size	Notes
GT5 Mix	Geum triflorum	10 cm pots	30 cm	238
	Pulsatilla vulgaris/Anemone patens	1 gal. pots	25 cm	41
	Dodecatheon media 'Aphrodite'	1 gal. pots	30 cm	30
TOTAL				308
IV1	Iris versicolor	10 cm pots	30 cm	45
IV2	Iris versicolor	10 cm pots	30 cm	89
IV3	Iris versicolor	10 cm pots	30 cm	25
AC1 Mix	Allium cernuum	10 cm pots	40 cm	62
	Pulsatilla vulgaris/Anemone patens	1 gal. pots	25 cm	44
	Dodecatheon media 'Aphrodite'	1 gal. pots	30 cm	33
TOTAL				139

4 PRAIRIE GARDEN - PLANT LIST  
LA-05 JARDIN PRAIRIE - LISTE DE PLANTATION

BED / PLATE BANDE	SPECIES / ESPÈCES	Size / Grandeur	Spacing / Espace	Total by species / Total par espèces	Comments / Commentaires
AC1	Amelanchier canadensis (clump)	300 cm ht, WB	4.0 m	5	
AC2	Amelanchier canadensis (clump)	250 cm ht, WB	4.0 m	4	
AC3	Amelanchier canadensis (clump)	200 cm ht, WB	4.0 m	2	
PM	Physocarpus opulifolius Minda	3 gal. pots, 60 cm ht.	1.4 m	27	
PJ	Physocarpus opulifolius Injam	3 gal. pots, 60 cm ht.	1.4 m	59	
CY	Cornus sericea 'Suji Yellow'	3 gal. pots, 80 cm ht.	1.4 m	15	
CC	Cornus sanguinea 'Cato' (Arctic Sun)	3 gal. pots, 40 cm ht.	1.2 m	24	
<b>PRAIRIE GARDEN PERENNIALS &amp; GRASSES / VIVACES ET GRAMINÉES: JARDIN PRAIRIE</b>					
A1	Panicum virgatum 'Heavy Metal'	1 gal. pots	45 cm	113	
	Rudbeckia subtomentosa 'Henry Eilers'	1 gal. pots	40 cm	89	
	Veronicastrum virginicum 'Fascination'	1 gal. pots	40 cm	119	group 3-5 plants
	Verbena hastata	10 cm pots	40 cm	30	
TOTAL				351	
A1-CL	Cassioia leichlinii 'Blue Danube' or 'Electra'	14 cm min. bulb size	30cm	208	interplant
A2	Deschampsia cespitosa 'Bronzeschlier'	1 gal. pots	45 cm	90	
	Echinacea 'Tiki Torch'	1 gal. pots	40 cm	88	group 3-5 plants
	Verbena stricta	10 cm pots	40 cm	38	
TOTAL				217	
A2-CL	Cassioia leichlinii 'Blue Danube' or 'Electra'	14 cm min. bulb size	30cm	132	interplant
A3	Panicum virgatum 'Heavy Metal'	1 gal. pots	45 cm	118	
	Rudbeckia subtomentosa 'Henry Eilers'	1 gal. pots	40 cm	83	
	Veronicastrum virginicum 'Fascination'	1 gal. pots	40 cm	124	group 3-5 plants
	Verbena hastata	10 cm pots	40 cm	41	
TOTAL				366	
A3-CL	Cassioia leichlinii 'Blue Danube' or 'Electra'	14 cm min. bulb size	30cm	216	interplant
A4	Deschampsia cespitosa 'Bronzeschlier'	1 gal. pots	45 cm	33	
	Echinacea 'Tiki Torch'	1 gal. pots	40 cm	32	group 3-5 plants
	Verbena stricta	10 cm pots	40 cm	14	
TOTAL				79	
A4-CL	Cassioia leichlinii 'Blue Danube' or 'Electra'	14 cm min. bulb size	30cm	48	interplant
B1	Schizachyrium scoparium 'The Blues'	1 gal. pots	40 cm	31	
	Bouteloua curtipendula	10 cm pots	35 cm	20	
	Zizia aurea	1 gal. pots	35 cm	13	
	Liatris spicata	10 cm pots	30 cm	24	group 3-5 plants
	Ratibida columnifera	1 gal. pots	40 cm	31	
TOTAL				119	
B1-CL	Cassioia leichlinii 'Blue Danube' or 'Electra'	14 cm min. bulb size	30cm	40	interplant
B1-TSP	Tulipa 'Spring Green'	12 cm min. bulb size	15 cm	158	interplant
B2	Schizachyrium scoparium 'The Blues'	1 gal. pots	40 cm	128	
	Bouteloua curtipendula	10 cm pots	35 cm	62	
	Echinacea pallida	10 cm pots	35 cm	103	
	Echinacea purpurea 'Fatal Attraction'	1 gal. pots	35 cm	14	
TOTAL				375	
B2-CL	Cassioia leichlinii 'Blue Danube' or 'Electra'	14 cm min. bulb size	30cm	126	interplant
B2-TSP	Tulipa 'Spring Green'	12 cm min. bulb size	15 cm	491	interplant
B3	Schizachyrium scoparium 'The Blues'	1 gal. pots	40 cm	95	
	Bouteloua curtipendula	10 cm pots	35 cm	61	
	Zizia aurea	1 gal. pots	35 cm	41	
	Liatris spicata	10 cm pots	30 cm	75	group 3-5 plants
	Ratibida columnifera	1 gal. pots	40 cm	95	
TOTAL				368	
B3-CL	Cassioia leichlinii 'Blue Danube' or 'Electra'	14 cm min. bulb size	30cm	125	interplant
B3-CL	Tulipa 'Spring Green'	12 cm min. bulb size	15 cm	488	interplant
B4	Schizachyrium scoparium 'The Blues'	1 gal. pots	40 cm	160	
	Bouteloua curtipendula	10 cm pots	35 cm	77	
	Echinacea pallida	10 cm pots	35 cm	128	
	Echinacea purpurea 'Fatal Attraction'	1 gal. pots	35 cm	103	group 3-5 plants
TOTAL				468	
B4-CL	Cassioia leichlinii 'Blue Danube' or 'Electra'	14 cm min. bulb size	30cm	157	interplant
B4-TSP	Tulipa 'Spring Green'	12 cm min. bulb size	15 cm	614	interplant
B5	Schizachyrium scoparium 'The Blues'	1 gal. pots	40 cm	45	
	Bouteloua curtipendula	10 cm pots	35 cm	81	
	Lilium philadelphicum	10 cm pots	40 cm	36	group 3-5 plants
	Zizia aurea	1 gal. pots	35 cm	46	
TOTAL				208	
B5-CL	Cassioia leichlinii 'Blue Danube' or 'Electra'	14 cm min. bulb size	30cm	71	interplant
B5-TSP	Tulipa 'Spring Green'	12 cm min. bulb size	15 cm	276	interplant
B6	Schizachyrium scoparium 'The Blues'	1 gal. pots	40 cm	73	
	Bouteloua curtipendula	10 cm pots	35 cm	40	
	Echinacea pallida	10 cm pots	35 cm	67	
	Echinacea purpurea 'Fatal Attraction'	1 gal. pots	35 cm	67	group 3-5 plants
TOTAL				247	
B6-CL	Cassioia leichlinii 'Blue Danube' or 'Electra'	14 cm min. bulb size	30cm	82	interplant
B6-TSP	Tulipa 'Spring Green'	12 cm min. bulb size	15 cm	320	interplant
C1	Eragrostis spectabilis	1 gal. pots	45 cm	70	
	Rudbeckia fulgida 'Goldstrum'	10 cm pots	45 cm	44	toward back half
	Gaillardia x grandiflora 'Arizona Apricot'	1 gal. pots	30 cm	58	toward front half
	Gaillardia x grandiflora 'Fanfare'	1 gal. pots	40 cm	37	toward front half
	Anemone patens (Pulsatilla patens)	1 gal. pots	25 cm	26	group 3-5 plants
TOTAL				315	
C1-TSP	Tulipa 'Spring Green'	12 cm min. bulb size	15 cm	377	interplant
C1-TT	Tulipa turkestanica	bulbs	15 cm	377	interplant
C2	Eragrostis spectabilis	1 gal. pots	45 cm	59	
	Anaphalis margaritacea	10 cm pots	40 cm	82	
	Gaillardia x grandiflora 'Arizona Apricot'	1 gal. pots	30 cm	154	toward front half
	Rudbeckia fulgida 'Goldstrum'	10 cm pots	40 cm	49	toward back half
	Anemone patens (Pulsatilla patens)	1 gal. pots	25 cm	35	group 3-5 plants
TOTAL				379	
C2-TSP	Tulipa 'Spring Green'	12 cm min. bulb size	15 cm	503	interplant
C2-TT	Tulipa turkestanica	bulbs	15 cm	503	interplant
C3	Eragrostis spectabilis	1 gal. pots	45 cm	174	
	Rudbeckia fulgida 'Goldstrum'	10 cm pots	45 cm	109	toward back half
	Gaillardia x grandiflora 'Arizona Apricot'	1 gal. pots	30 cm	143	toward front half
	Gaillardia x grandiflora 'Fanfare'	1 gal. pots	40 cm	91	toward front half
	Anemone patens (Pulsatilla patens)	1 gal. pots	25 cm	65	group 3-5 plants
TOTAL				582	
C3-TSP	Tulipa 'Spring Green'	12 cm min. bulb size	15 cm	933	interplant
C3-TT	Tulipa turkestanica	bulbs	15 cm	933	interplant
C4	Eragrostis spectabilis	1 gal. pots	45 cm	30	
	Anaphalis margaritacea	10 cm pots	40 cm	35	
	Gaillardia x grandiflora 'Arizona Apricot'	1 gal. pots	30 cm	56	toward front half
	Rudbeckia fulgida 'Goldstrum'	10 cm pots	40 cm	45	toward back half
	Anemone patens (Pulsatilla patens)	1 gal. pots	25 cm	15	group 3-5 plants
TOTAL				182	
C4-TSP	Tulipa 'Spring Green'	12 cm min. bulb size	15 cm	217	interplant
C4-TT	Tulipa turkestanica	bulbs	15 cm	217	interplant

4 PRAIRIE GARDEN - PLANT LIST  
LA-05 JARDIN PRAIRIE - LISTE DE PLANTATION

issued or revised / émis ou révisé

no.	description	date
4	ISSUE FOR TENDER / ÉMIS POUR SOUMISSION	XX-01-15
3	ISSUE FOR 95% REVIEW	14-01-15
2	ISSUE FOR 90% REVIEW	09-01-15
1	ISSUE FOR REVIEW	30-12-14

project / projet

GARDEN OF THE PROVINCES & TERRITORIES : PLANTING REHABILITATION / JARDIN DES PROVINCES ET DES TERRITOIRES, RENOUVELLEMENT DE LA PLANTATION

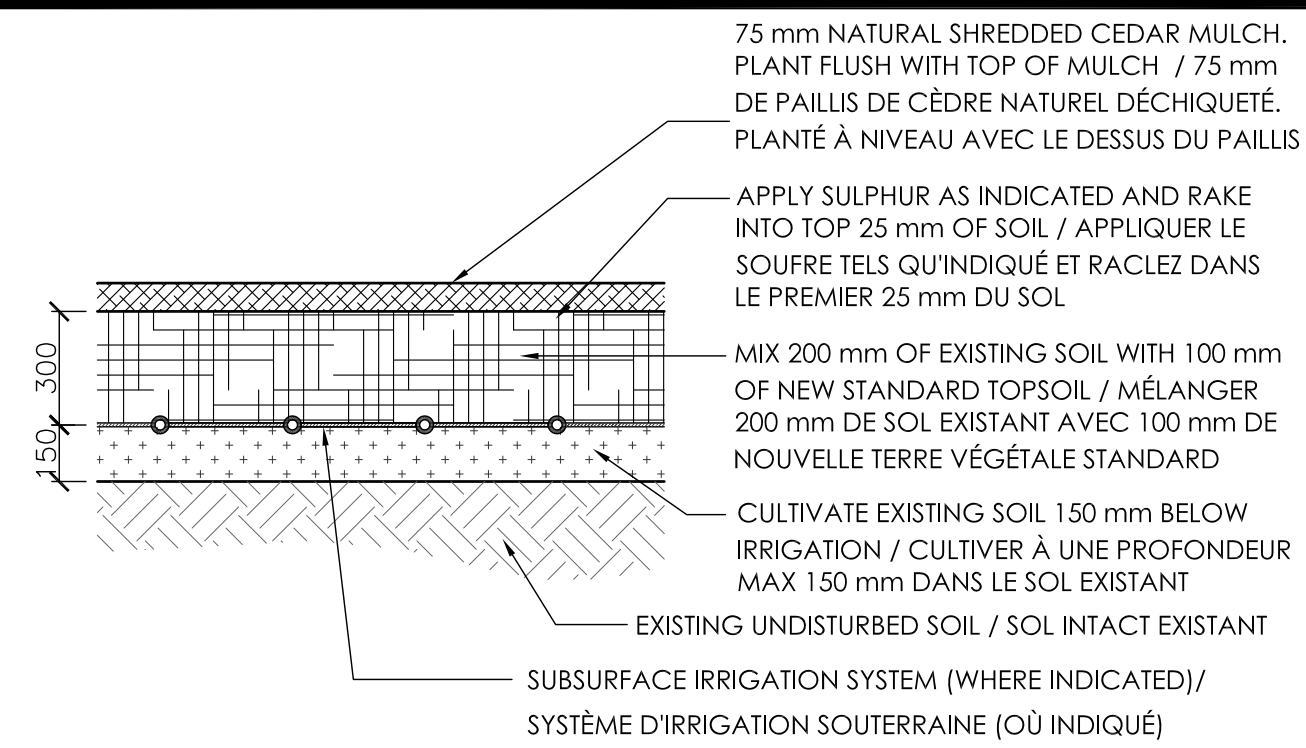
drawing / dessin

PLANTING AREAS (WEST) / AIRE DE PLANTATION (OUEST)

approved by / approuvé par J. MULLIGAN  
designed by / conçu par J. MULLIGAN  
drawn by / dessiné par S. DEGUIRE  
date / 23/10/14 scale / échelle 1:200  
NCC project no. / no. du projet de la CCN sheet no. / no. de la feuille DC-4075-04

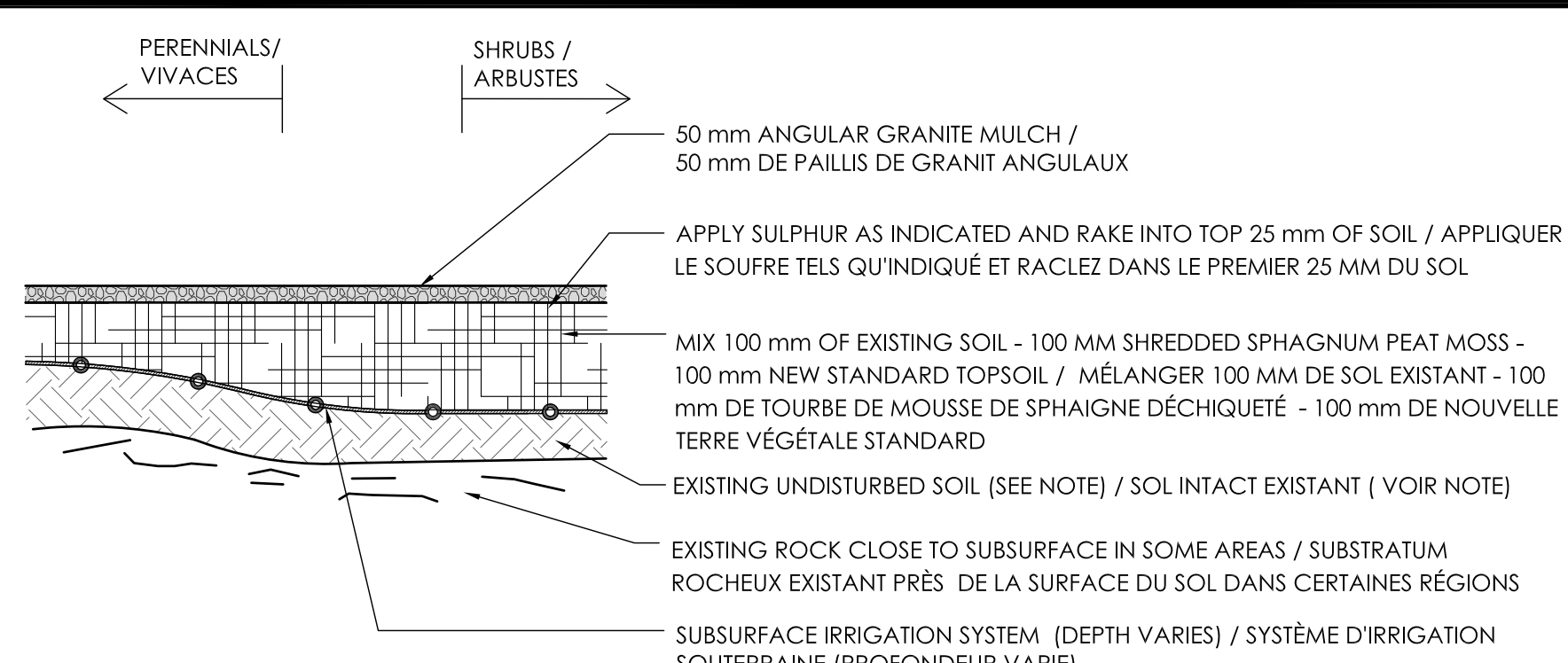


**NOTE:**  
PLANT VEGETATION FLUSH WITH MULCH /  
PLANTER LA VÉGÉTATION À NIVEAU AVEC LE  
HAUT DE PAILLIS



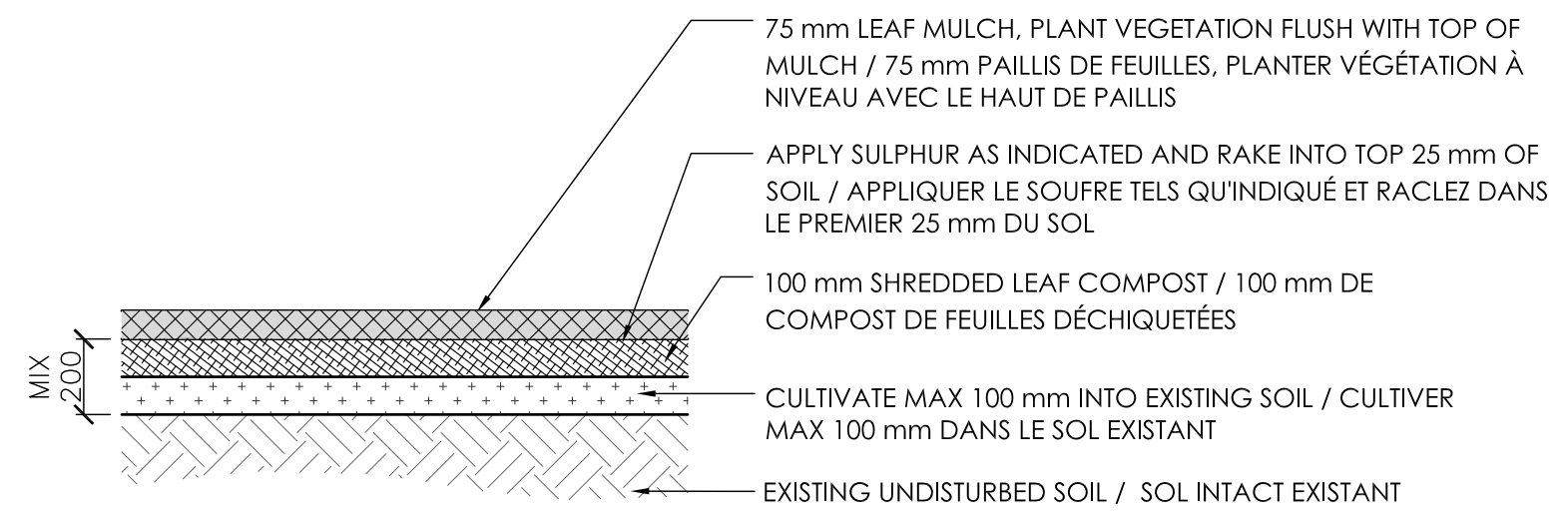
**NOTE:**  
1. RE-GRADE BED TO ENSURE A SMOOTH EVEN GRADIENT. SLOPE DOWN TO COBBLE EDGE. / RE-NIVELLER LA PLATE-BANDE POUR ASSURER UNE GRADIENT LISSE QUI PENTE VERS LA BORDURE DE PAVÉS ARRONDIS.  
2. POP UP IRRIGATION TO BE USED IN SHRUB AREAS. / SYSTÈME D'IRRIGATION ESCAMOTABLES À UTILISER DANS LE SECTEUR D'ARBUSTE.

**1 PRAIRIE GARDEN AREAS**  
**LA-06 AIRE DU JARDIN PRAIRIE** NTS



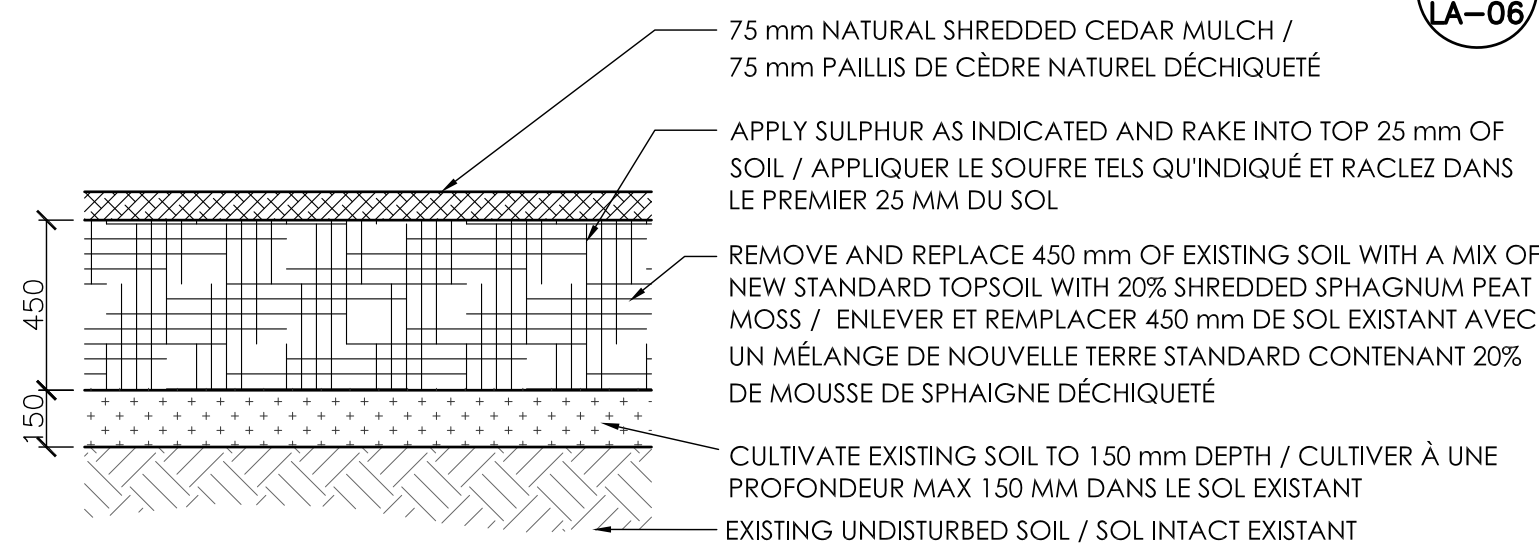
**NOTES:**  
1. WHERE BED CONTOURING IS INDICATED ADDITIONAL NEW STANDARD TOPSOIL MAY BE REQUIRED UNDER SUBSURFACE IRRIGATION. / DE LA NOUVELLE TERRE VÉGÉTALE STANDARD SERA REQUIS DESSOUS L'IRRIGATION SOUTERRAINE OÙ SE TROUVE LES CONTOURS DES LITS  
2. SUBSURFACE IRRIGATION TO FOLLOW BELOW CONTOURING, 200 mm FOR PERENNIALS AND SMALL SHRUBS, 300 mm FOR LARGER SHRUBS / L'IRRIGATION SOUTERRAINE DOIT SUIVRE CI-DESSOUS LES CONTOURS, 200 mm POUR LES PLANTES VIVACES ET DE PETITS ARBUSTES, 300 mm POUR LES ARBUSTES

**2 TUNDRA / ROCK GARDEN AREAS**  
**LA-06 AIRE DE JARDIN TOUNDRA/ROCAILLES** NTS



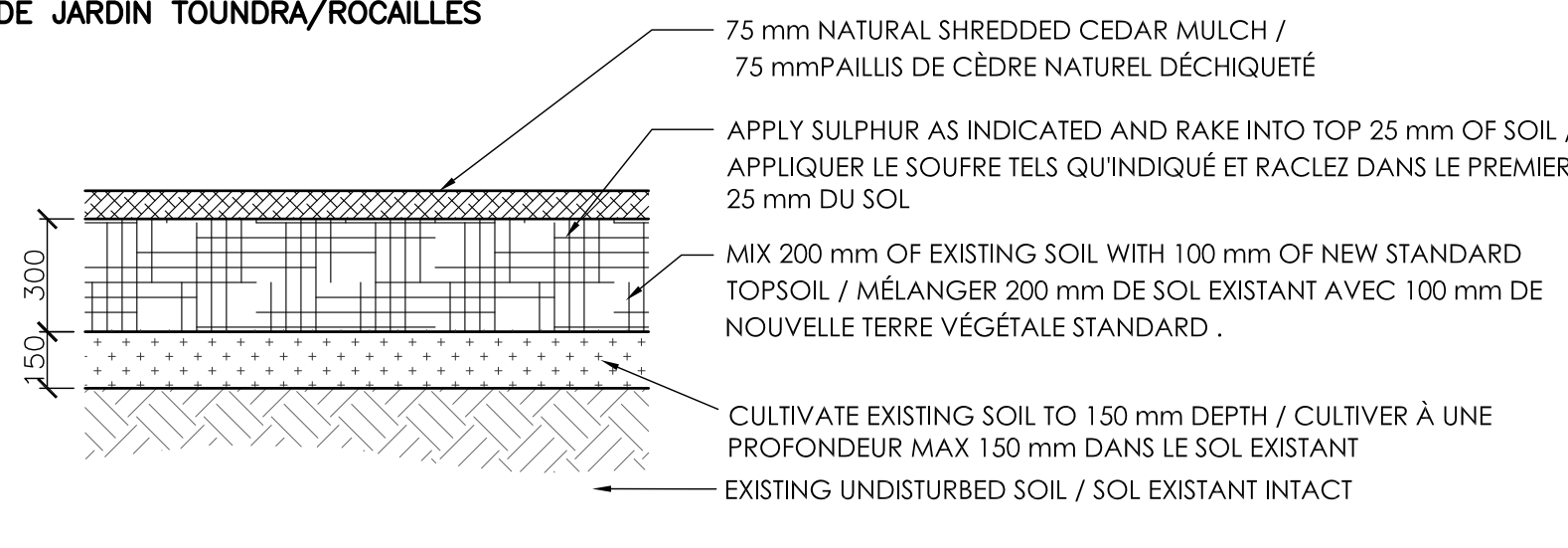
**NOTES:**  
1. MIX LEAF COMPOST AND SULPHUR INTO TOP 100 mm AS PART OF SOIL CULTIVATION / MÉLANGE LE COMPOST DE FEUILLES ET LE SOUFRE DANS LE PREMIER 100 mm DANS LE CADRE DU TRAVAIL DE SOL  
2. DO NOT CULTIVATE WITHIN 2 METERS OF EXISTING MATURE TREES / NE PAS CULTIVER À L'INTÉRIEUR D'UN RAYON DE 2 MÈTRES D'ARBRES MATURES EXISTANTS  
3. POP UP IRRIGATION AT SURFACE AROUND PERIMETER (SEE IRRIGATION DWGS) / IRRIGATION ESCAMOTABLES EN SURFACE AUTOUR DU PÉRIMÈTRE (VOIR LES FICHIERS DWG D'IRRIGATION)

**3 WOODLAND GARDEN AREAS**  
**LA-06 AIRE DE JARDIN BOISÉ** NTS



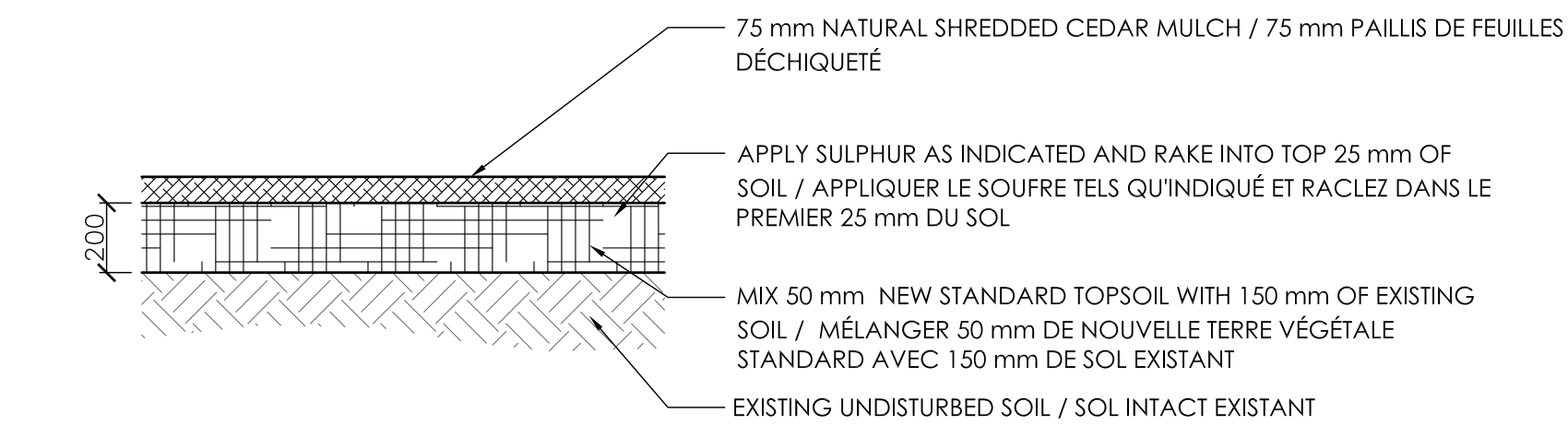
**NOTES:**  
1. FOR SURFACE DRIP IRRIGATION SEE IRRIGATION DRAWINGS / POUR LE SYSTÈME D'IRRIGATION, VOIR LES PLANS D'IRRIGATION  
2. KEEP SOIL LEVEL 50 mm BELOW PLANTER COPING / PRÉSERVER LE NIVEAU DU SOL À 50 mm SOUS LE CHAPERON DE LA JARDINIÈRE

**4 PLANTERS - CANADIAN HORTICULTURAL PIONEERS**  
**LA-06 BAC DE PLANTATION - HORTICULTEUR PIONNIER DU CANADA** NTS



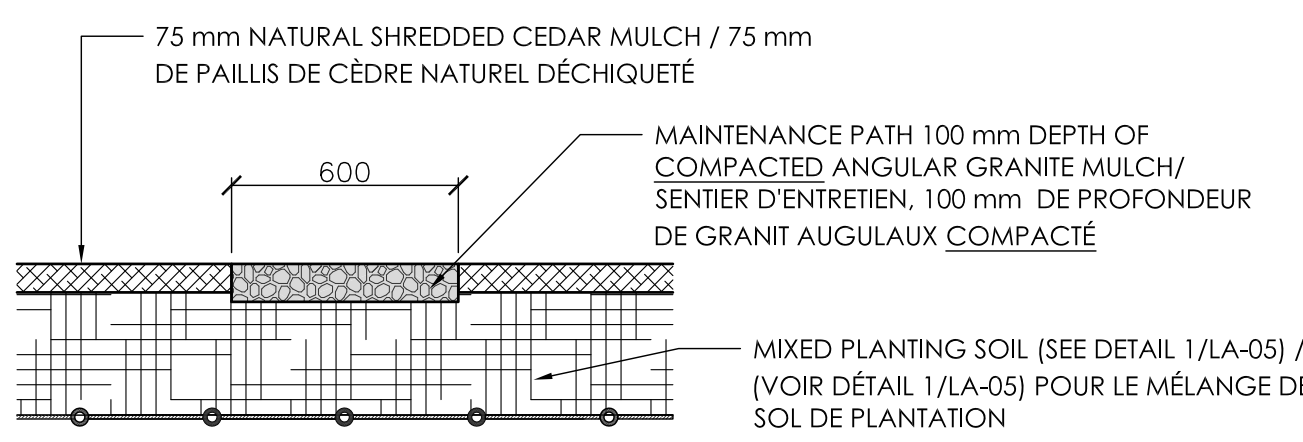
**NOTES:**  
1. REMOVE AND REINSTATE EXISTING POP UP IRRIGATION SYSTEM / ENLEVER ET RÉTABLIR LE SYSTÈME D'IRRIGATION ESCAMOTABLES EXISTANT  
2. RE-GRADE BED TO ENSURE A SMOOTH EVEN GRADIENT, SLOPPED DOWN TO COBBLE / RE-NIVELLER LA PLATE-BANDE POUR ASSURER UNE GRADIENT LISSE QUI PENTE VERS LA BORDURE DE PAVÉS ARRONDIS.

**5 WELLINGTON / BAY ST. BED - CANADIAN HORTICULTURAL PIONEERS**  
**LA-06 LIT DE PLANTATION WELLINGTON/ RUE BAY - HORTICULTEUR PIONNIER DU CANADA** NTS

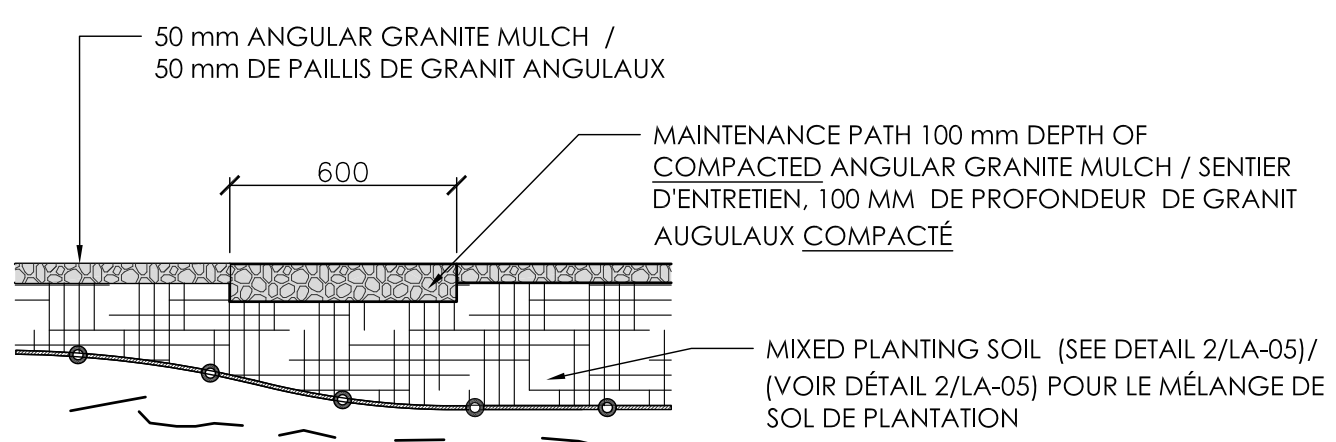


**NOTES:**  
1. GRUB OUT ROOT SYSTEMS OF ALL DEAD OR HEAVILY DAMAGED SHRUBS / ESSOUCHER LES SYSTÈMES RACINAIRES DE TOUS ARBUSTES MORTS OU TRÈS ENDOMMAGÉS  
2. AMEND SOIL IN GAPS ONLY. RE-GRADE SMOOTH TO MEET AND MATCH ADJACENT UNDISTURBED AREAS / MODIFIER LE SOL DANS LES ÉCARTS SEULEMENT. NIVELLER DE QUALITÉ LISSE AFIN QU'IL RENCONTRE ET CORRESPONDE AUX ZONES NON PERTURBÉES ADJACENTES  
3. REPAIR EXISTING POP UP SYSTEM AS REQUIRED / RÉPARER LE SYSTÈME D'IRRIGATION ESCAMOTABLES TELS QUE REQUIS  
4. WEED ENTIRE PLANTING BED / DÉSHERBER TOUTE LA PLATE-BANDE  
5. MULCH ENTIRE PLANTING BED / AJOUTER DU PAILLIS POUR TOUTE LA PLATE-BANDE

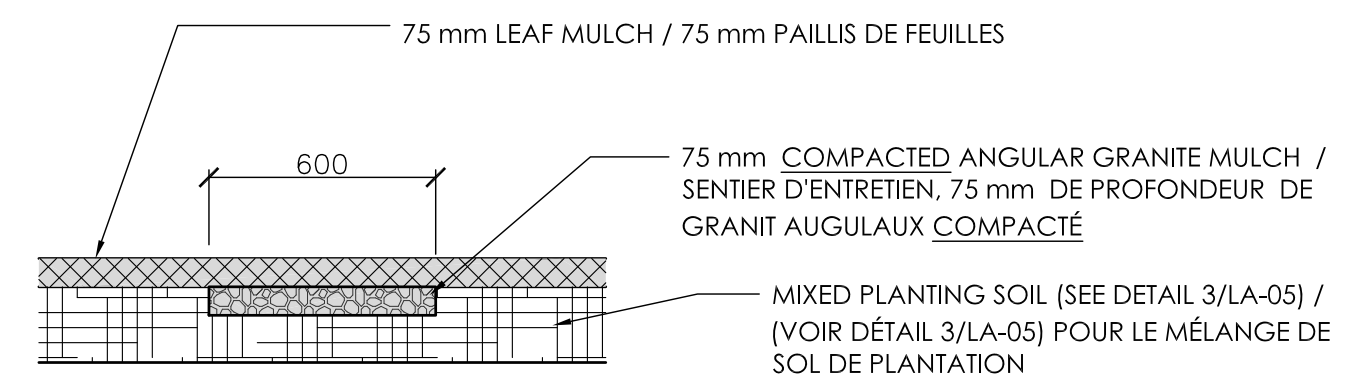
**6 BAY ST. BED - CANADIAN HORTICULTURAL PIONEERS**  
**LA-06 LIT DE PLANTATION RUE BAY - HORTICULTEUR PIONNIER DU CANADA** NTS



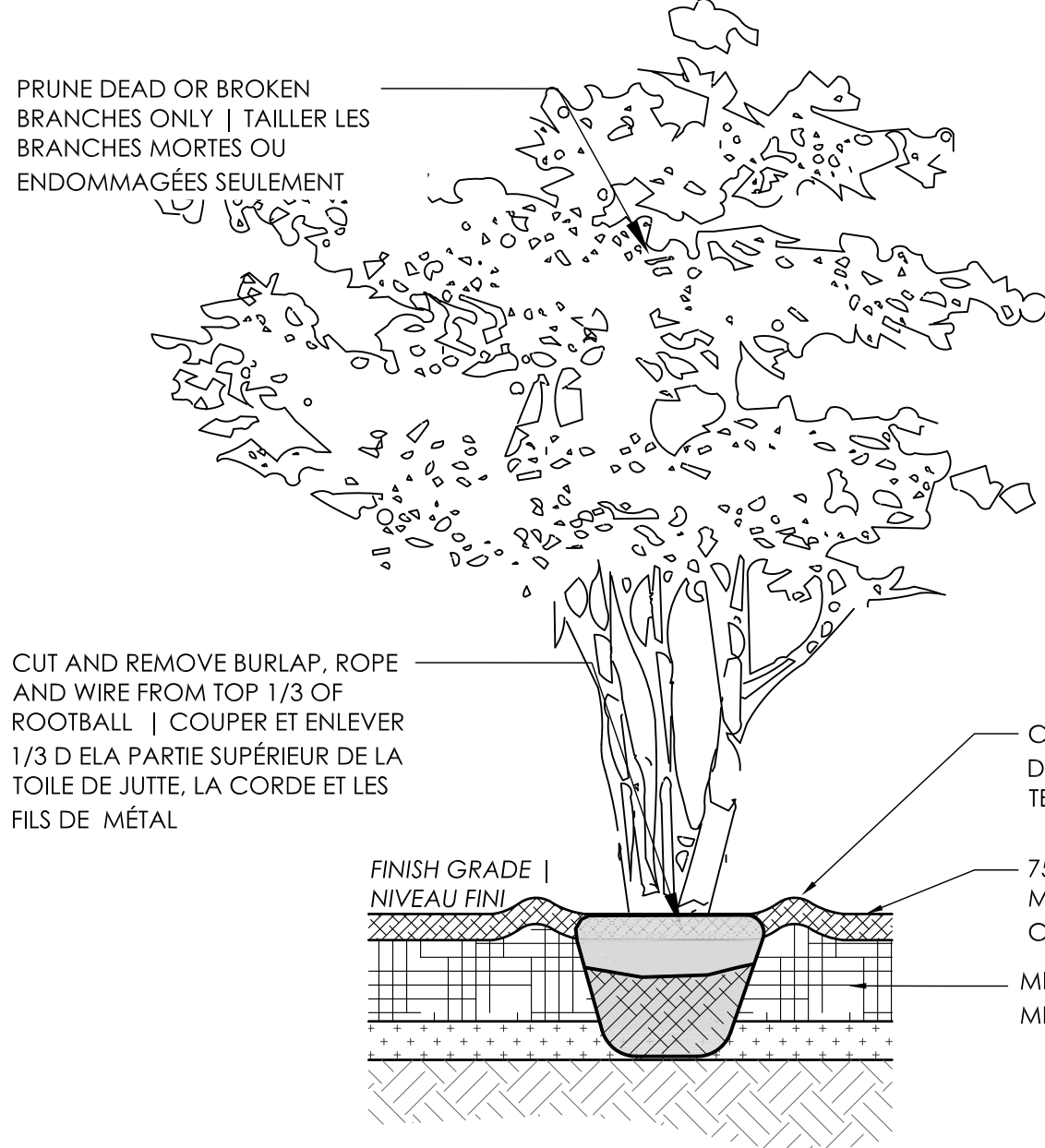
**7 MAINTENANCE PATH - PRAIRIE GARDEN**  
**LA-06 SENTIER D'ENTRETIEN - JARDIN PRAIRIE** NTS



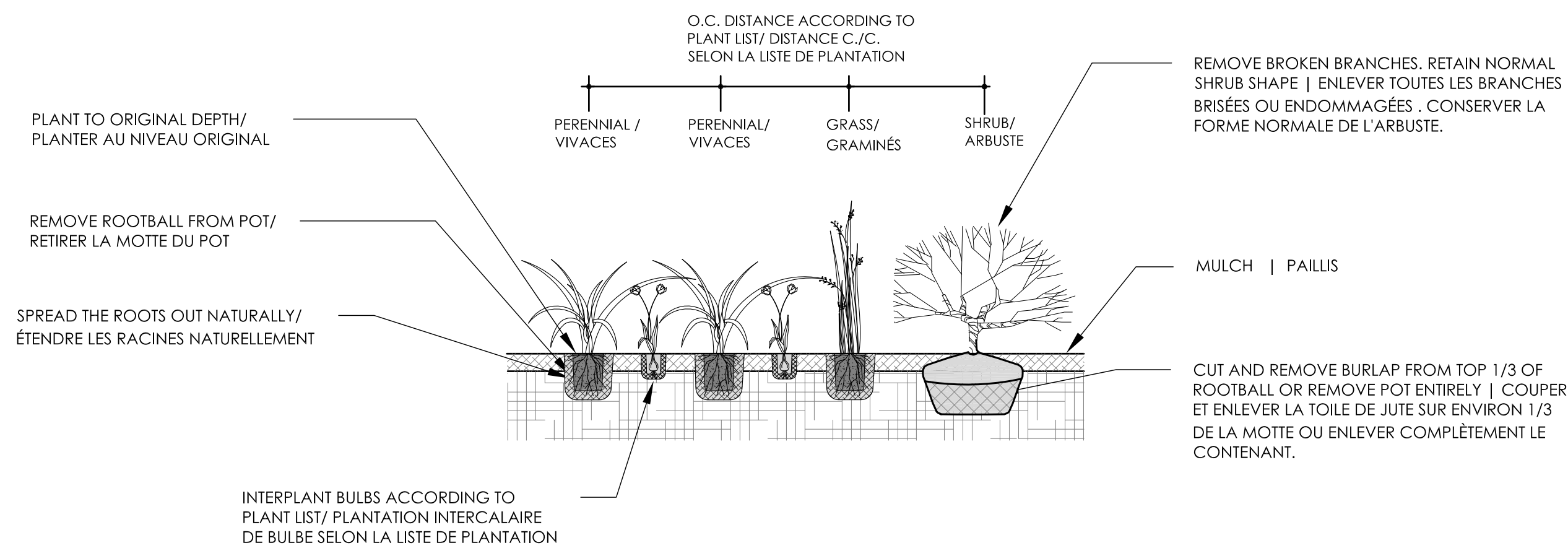
**8 MAINTENANCE PATH - TUNDRA / ROCK GARDEN**  
**LA-06 SENTIER D'ENTRETIEN - JARDIN TOUNDRA / ROCAILLE** NTS



**9 MAINTENANCE PATH - WOODLAND GARDEN**  
**LA-06 SENTIER D'ENTRETIEN - JARDIN BOISÉ** NTS



**10 MULTI-STEM TREE PLANTING**  
**LA-06 PLANTATION D'ARBRE EN TALLE** NTS



**11 SHRUB AND PERENNIAL PLANTING**  
**LA-06 PLANTATION D'ARBUSTE ET VIVACE** NTS

issued or revised / émis ou révisé		
no.	description	date
4	ISSUE FOR TENDER / ÉMIS POUR SOUMISSION	XX-01-15
3	ISSUE FOR 95% REVIEW	19-01-15
2	ISSUE FOR 90% REVIEW	09-01-15
1	ISSUE FOR REVIEW	30-12-14

project / projet

GARDEN OF THE PROVINCES & TERRITORIES : PLANTING REHABILITATION / JARDIN DES PROVINCES ET DES TERRITOIRES, RENOUVELLEMENT DE LA PLANTATION

drawing / dessin

DETAILS / DÉTAILS

approved by / approuvé par J. MULLIGAN  
designed by / conçu par J. MULLIGAN  
drawn by / dessiné par S. DEGUIRE  
date / 23/10/14 scale / échelle NTS

NCC project no. / no. du projet de la CCN DC-4075-04 sheet no. / no. de la feuille LA-05



- LEGEND**
- SPRINKLERS
  - ☐ VALVES
  - EXISTING PIPE
  - - - - REMOVAL LIMIT OF WORK

- NOTES**
1. All pipes, valves, sprinklers, wires, valve boxes and associated equipment shall be removed from the removal limit of work boundary shown on this plan prior to installing the new irrigation system.
  2. The existing controller and rain sensor along with wiring and conduit shall be removed prior to installing the new irrigation system. The controller, rain sensor and valves shall be returned to the owner.
  3. Location of sprinklers, valves and pipes are approximate.



issued or revised émis ou révisé		
no.	description	date
4	ISSUE FOR TENDER	29-01-15
3	ISSUE FOR REVIEW	27-01-15
2	ISSUE FOR REVIEW	23-01-15
1	ISSUE FOR REVIEW	18-12-14

project  
projet

**GARDEN OF THE PROVINCE :  
PLANTING REHABILITATION**

drawing  
dessin

**EXISTING IRRIGATION  
REMOVAL AND  
RENOVATION PLAN**

approved by  
approuvé par AF

designed by  
conçu par AF

drawn by  
dessiné par AF

date 18/12/14 scale 1:300  
échelle

NCC project no. sheet no.  
no. du projet de la CCN no. de la feuille



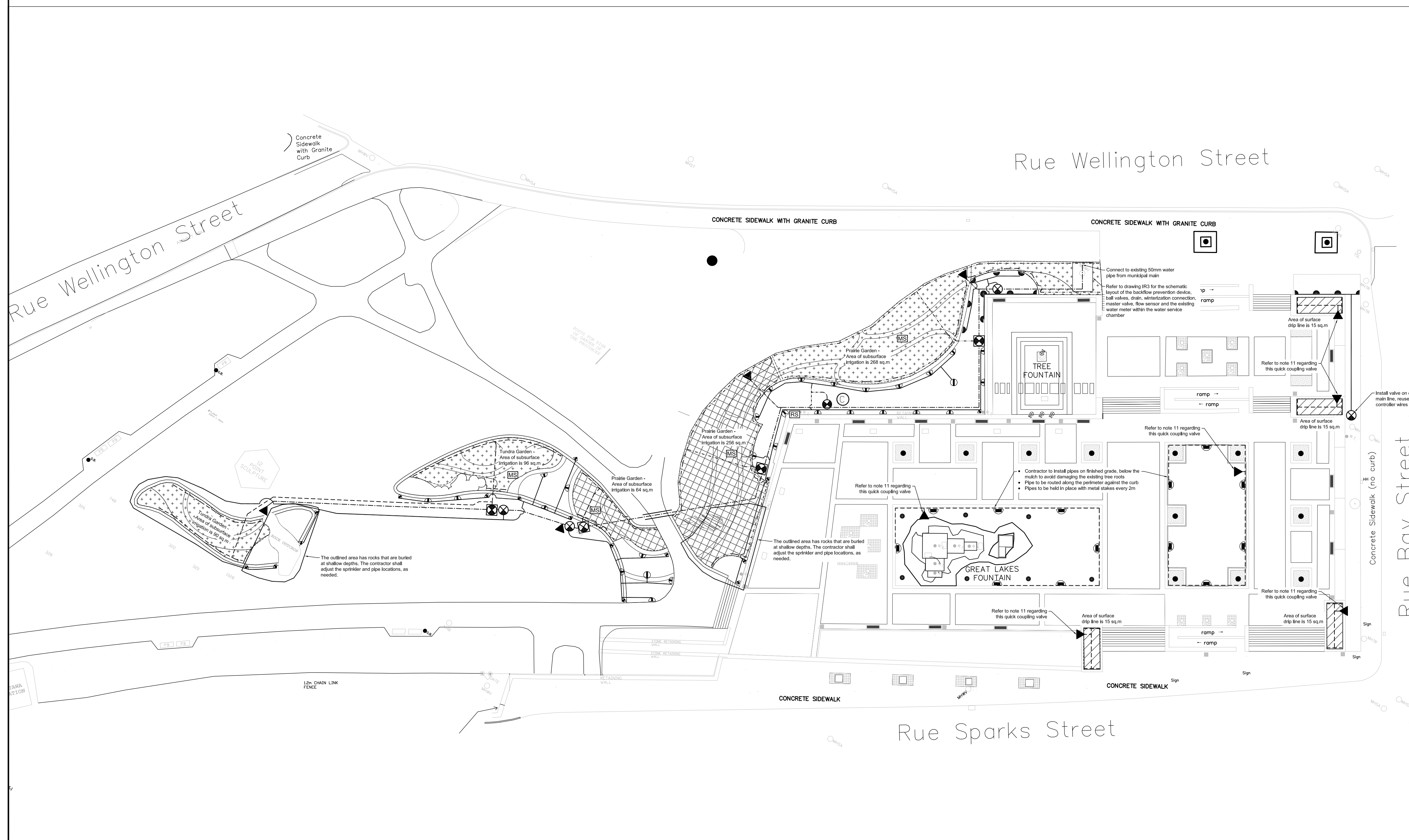
no.	description	date
3	ISSUE FOR REVIEW	27-01-15
2	ISSUE FOR REVIEW	23-01-15
1	ISSUE FOR REVIEW	18-12-14

LEGEND

- 12mm INLET, 300mm POP-UP, 30PSI PRESSURE REGULATED SPRINKLER WITH 3.6m, 90° SPRAY NOZZLE
- 12mm INLET, 300mm POP-UP, 30PSI PRESSURE REGULATED SPRINKLER WITH 3.6m, 180° SPRAY NOZZLE
- 12mm INLET, 300mm POP-UP, 30PSI PRESSURE REGULATED SPRINKLER WITH 3.6m, 270° SPRAY NOZZLE
- 12mm INLET, 300mm POP-UP, 40-45 PSI PRESSURE REGULATED SPRINKLER WITH 4.5m, 90° MULTI-STREAM ROTATING NOZZLE
- 12mm INLET, 300mm POP-UP, 40-45 PSI PRESSURE REGULATED SPRINKLER WITH 4.5m, 180° MULTI-STREAM ROTATING NOZZLE
- 12mm INLET, 300mm POP-UP, 40-45 PSI PRESSURE REGULATED SPRINKLER WITH 4.5m, 270° MULTI-STREAM ROTATING NOZZLE
- 12mm INLET, 300mm POP-UP, 40-45 PSI PRESSURE REGULATED SPRINKLER WITH 4.5m FULL 360° MULTI-STREAM ROTATING NOZZLE
- 12mm INLET, 300mm POP-UP, 40-45 PSI PRESSURE REGULATED SPRINKLER WITH 6.1m, 90° MULTI-STREAM ROTATING NOZZLE
- 12mm INLET, 300mm POP-UP, 40-45 PSI PRESSURE REGULATED SPRINKLER WITH 6.1m, 180° MULTI-STREAM ROTATING NOZZLE
- 25mm INLET ELECTRIC VALVE
- 40mm INLET ELECTRIC VALVE
- 25mm LOW FLOW DRIP CONTROL ZONE KIT
- 40mm DRIP CONTROL ZONE KIT
- 25mm QUICK COUPLING VALVE WITH BRASS KEY
- 20 STATION CONTROLLER IN STAINLESS STEEL PEDESTAL
- FLOW SENSOR
- SOIL MOISTURE SENSOR
- WIRELESS RAIN SENSOR
- 50mm DCVA BACKFLOW PREVENTER
- 50mm SDR 26 PVC MAIN LINE
- 40mm SDR 26 PVC LATERAL LINE
- 25mm SDR 21 PVC LATERAL LINE
- 40mm POLYETHYLENE 100PSI LATERAL LINE
- 25mm POLYETHYLENE 100PSI LATERAL LINE
- 75mm SDR 26 PVC WIRE AND PIPE CONDUIT
- SUBSURFACE IRRIGATION
- SUBSURFACE IRRIGATION

NOTES

1. All work shall be carried out in accordance with by-laws and codes having jurisdiction over site location.
2. It is the responsibility of the plan user to inform themselves of the exact location of all underground and overhead utilities and structures before commencing the work.
3. These drawings shall be read in conjunction with the landscape drawings.
4. The contractor shall report all discrepancies or inconsistencies between the plans and the site conditions to the Contract Administrator.
5. Location of spray heads and pipe are approximate. Valves may be placed inappropriately on the drawing due to space restraints. The contractor shall ensure that all irrigation equipment is installed within the property lines.
6. Point of connection (POC) is approximate.
7. Irrigation design is based on a flow rate of 114 LPM at 70 psi static water pressure at the point of connection.
8. DBY connectors shall be used for all 24 volt electrical connections.
9. All wires and power cables shall be installed as required by the electrical code.
10. All wires shall be 14 gauge TWJ single conductor.
11. Owner shall use the existing quick coupling valve on Bay Street as a water supply connection point. They shall run a hose from the Bay Street quick coupler to the quick couplers located in each surface drip zone and each of the "Woodland" area pop-up sprinkler zones.
12. The installation depth of the subsurface irrigation shall be 300mm in the "Prairie Garden". The installation depth of the subsurface irrigation shall be 200mm deep under perennials and small shrubs and 300mm deep under large shrubs in the "Tundra Garden".
13. The proposed locations of the sprinklers, controller, valves, valve boxes, quick coupling valves, pop-up indicator rain sensor, and moisture sensors shall be marked and approved by the Contract Administrator prior to installation.





issued or revised / émis ou révisé	
no.	description / date
4	ISSUE FOR TENDER 29-01-15
3	ISSUE FOR REVIEW 27-01-15
2	ISSUE FOR REVIEW 27-01-15
1	ISSUE FOR REVIEW 18-12-14

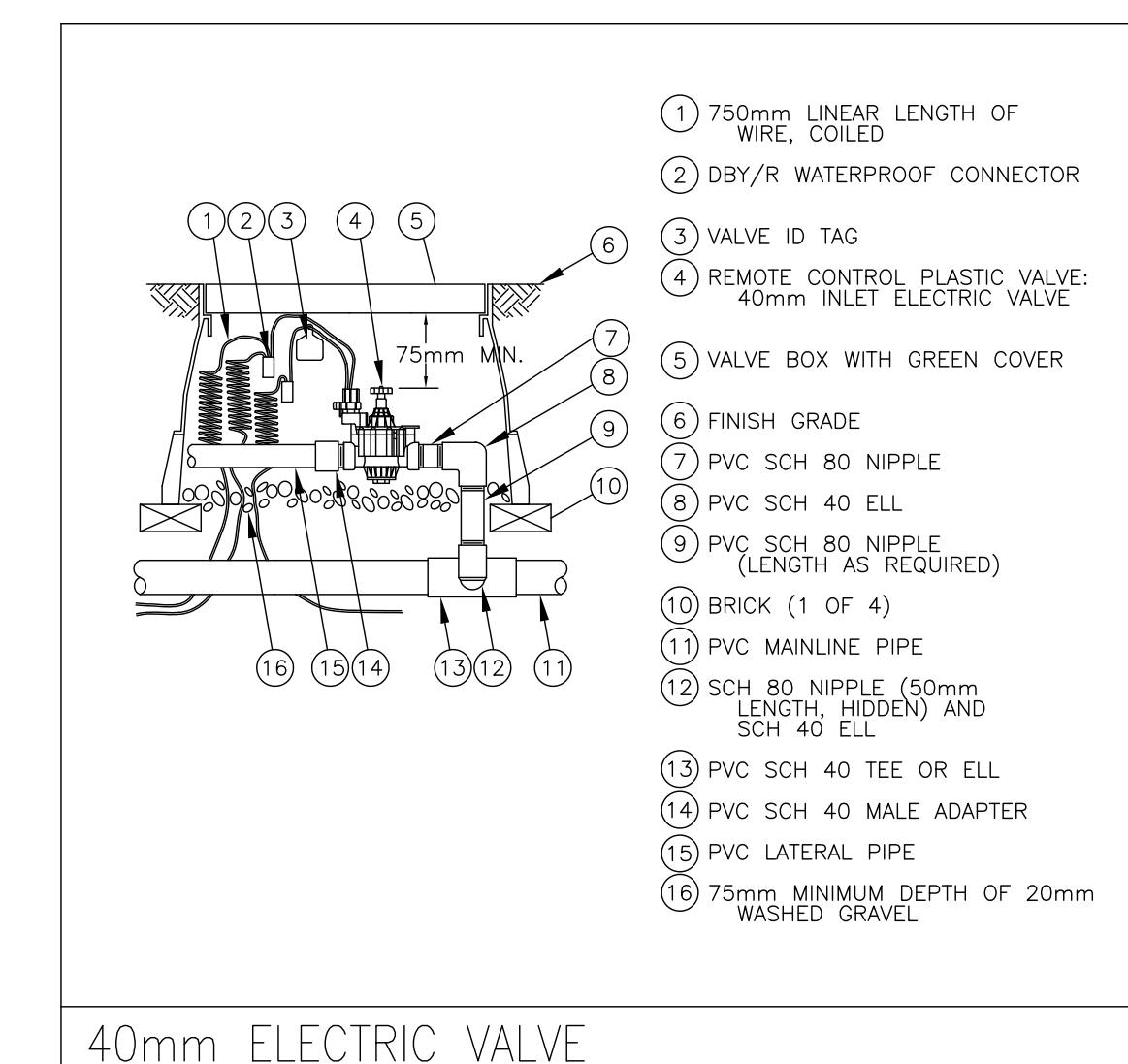
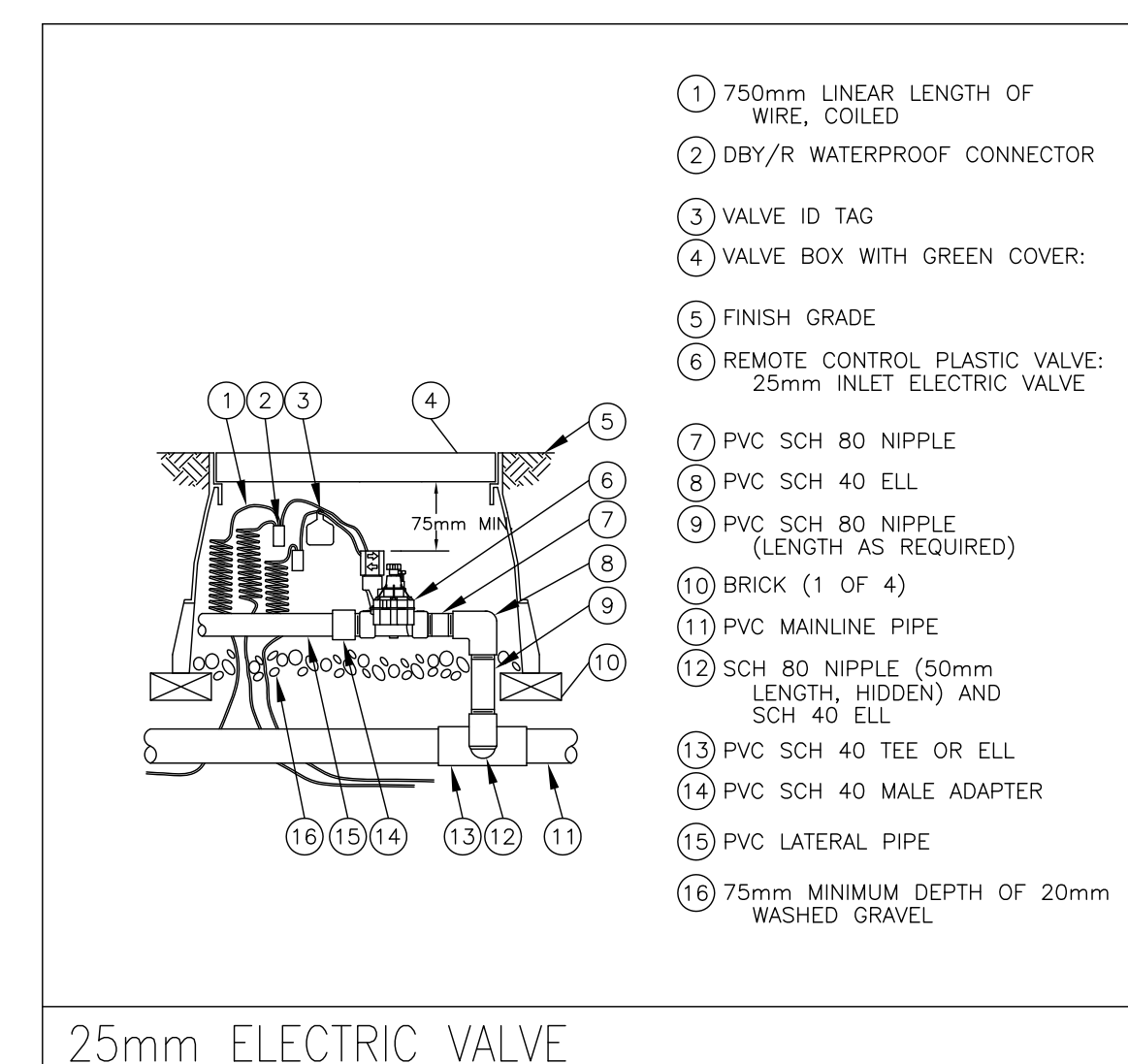
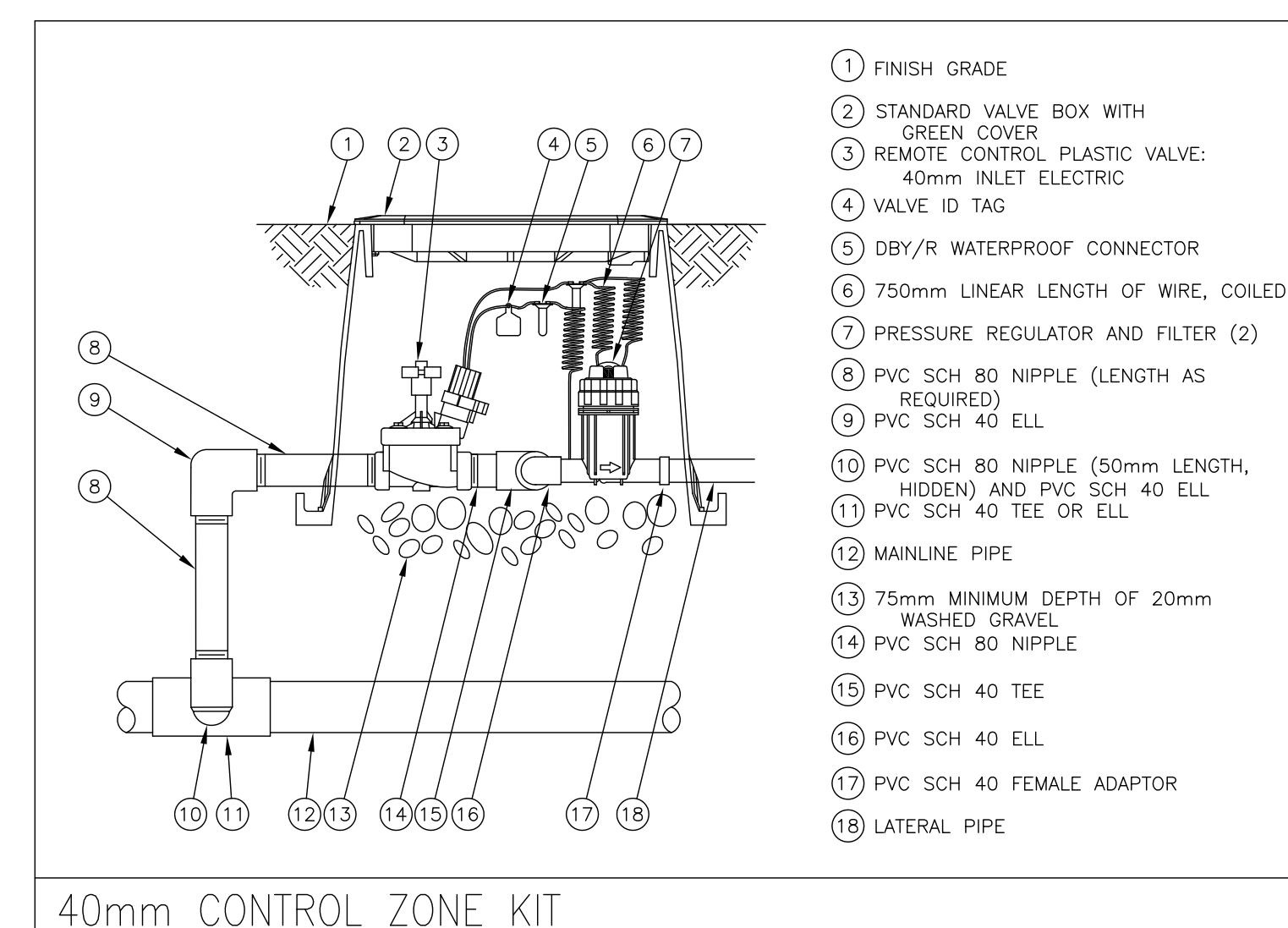
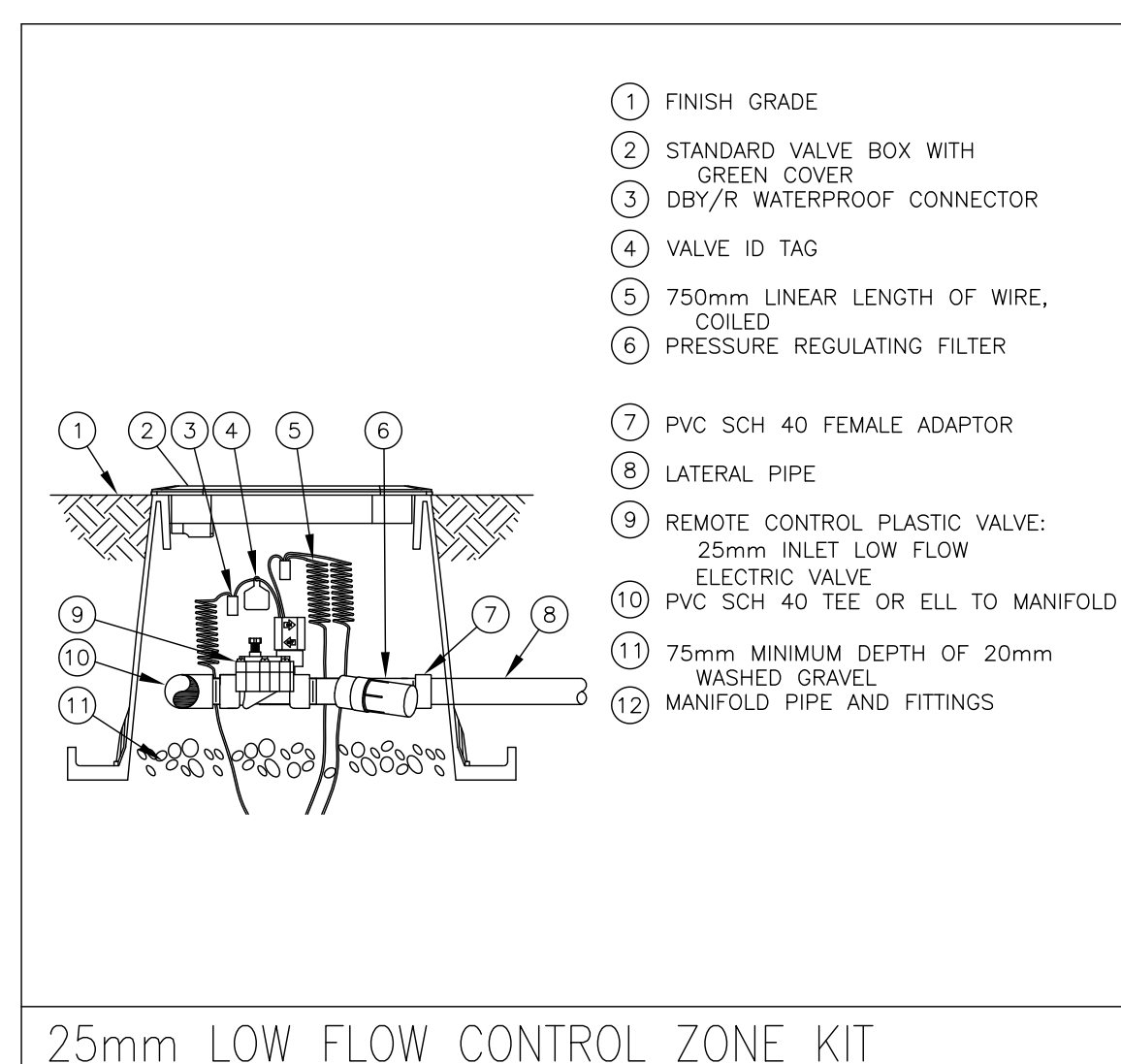
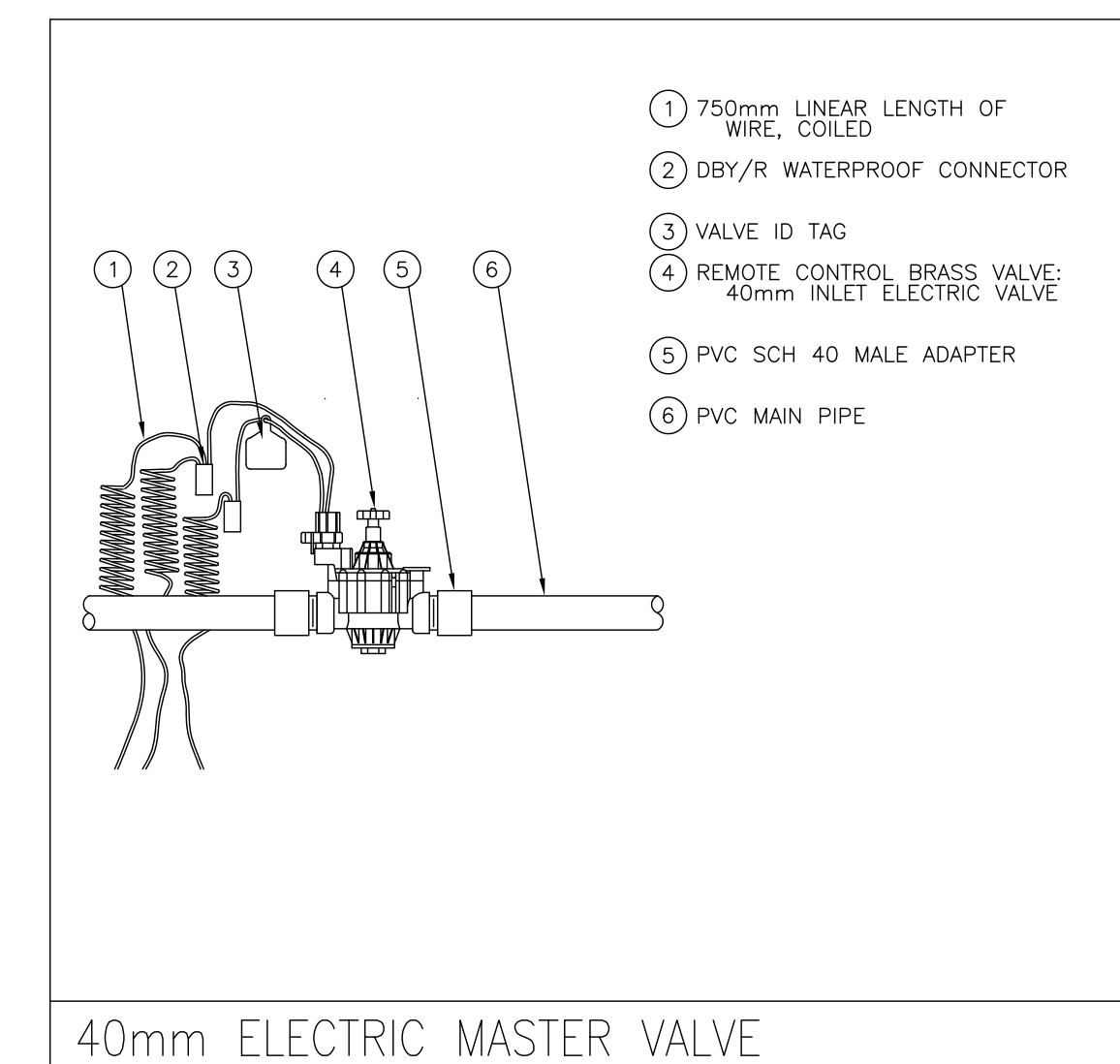
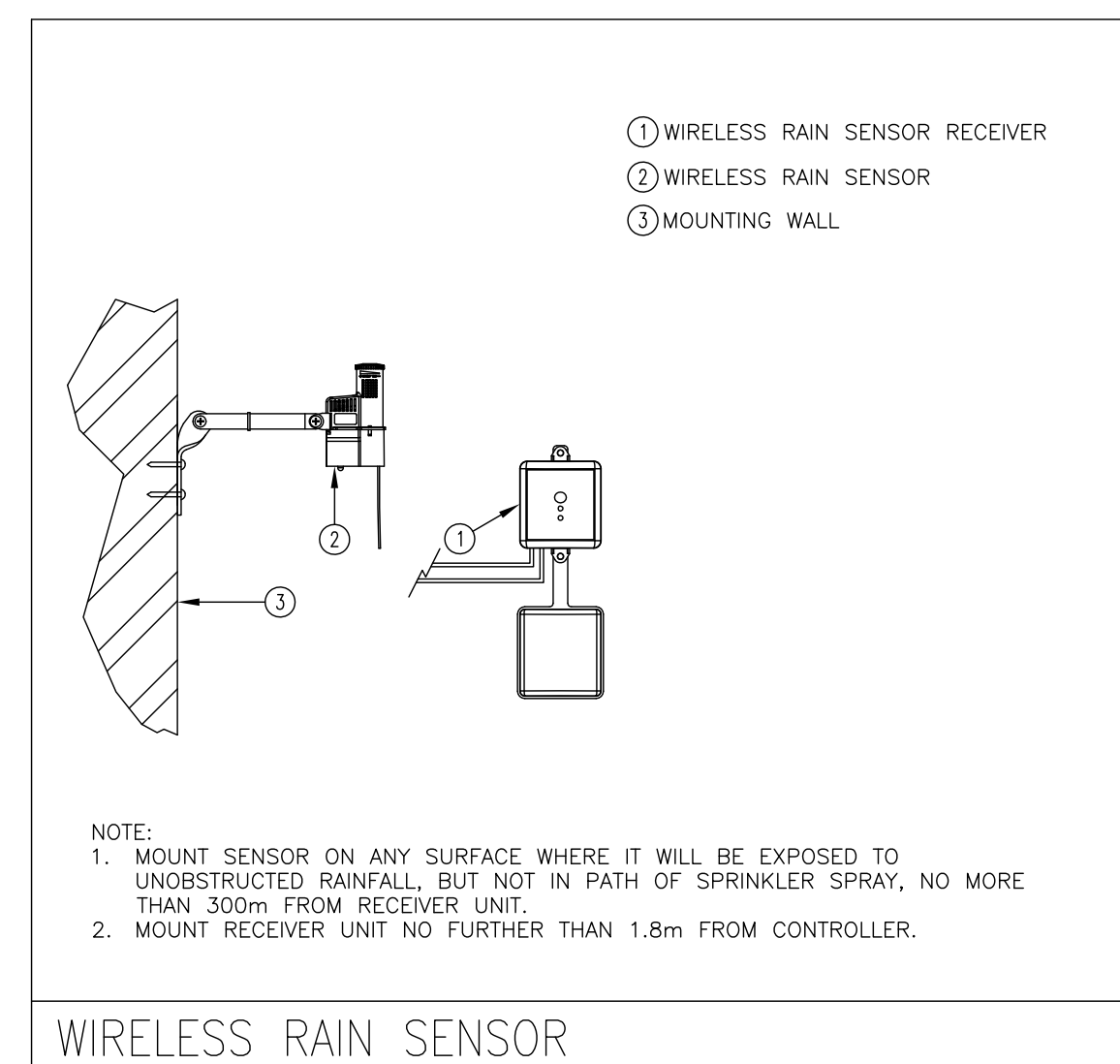
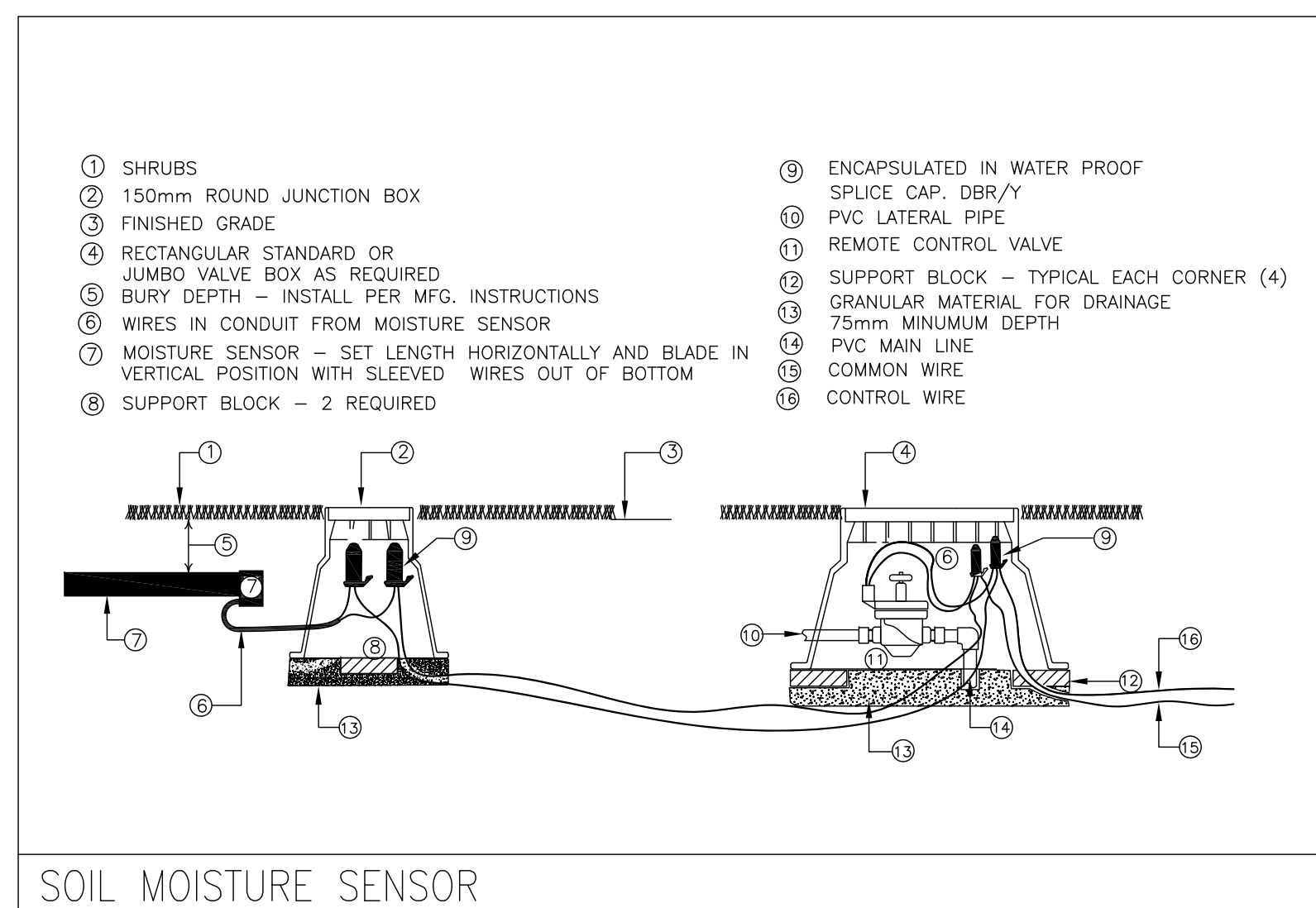
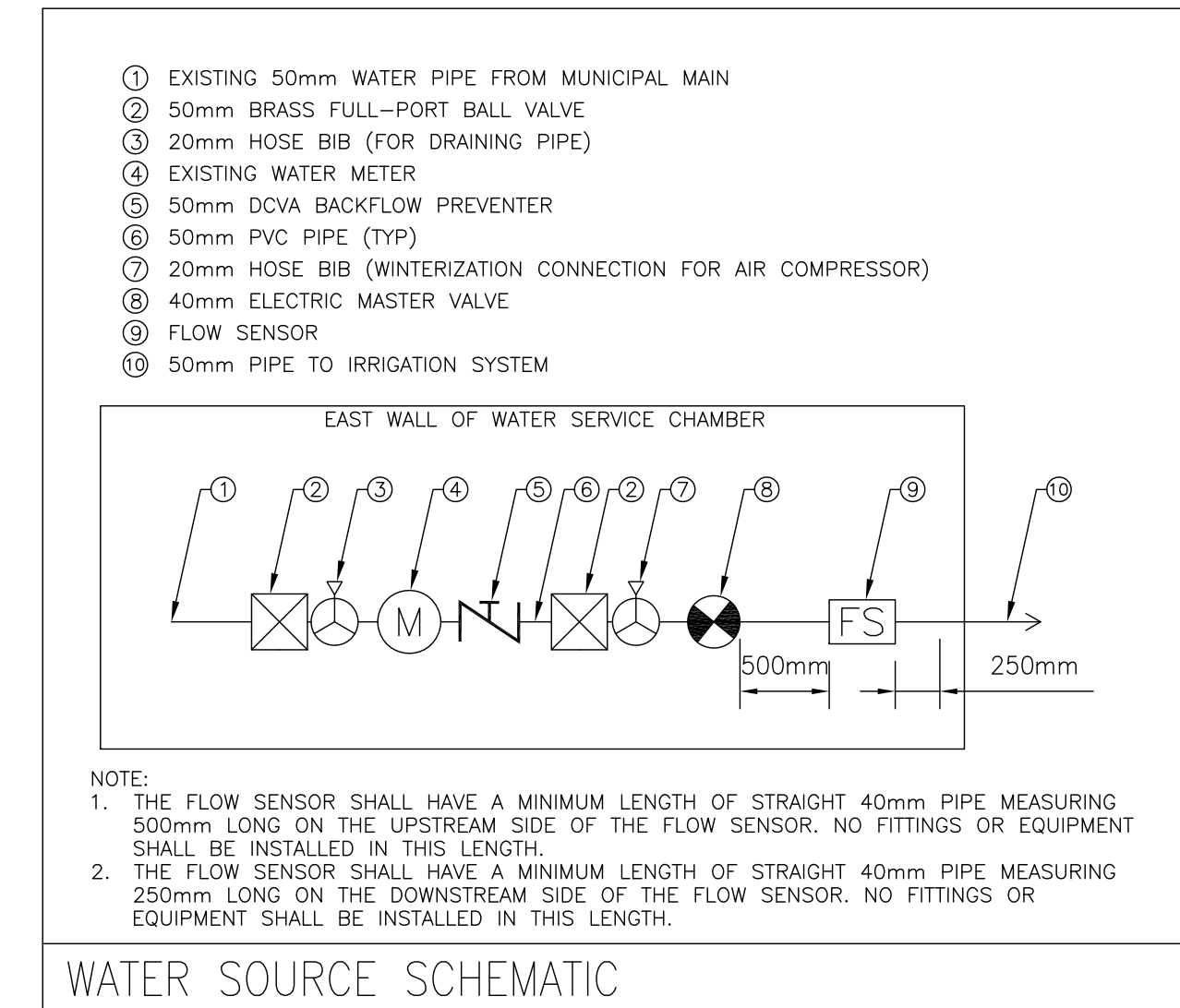
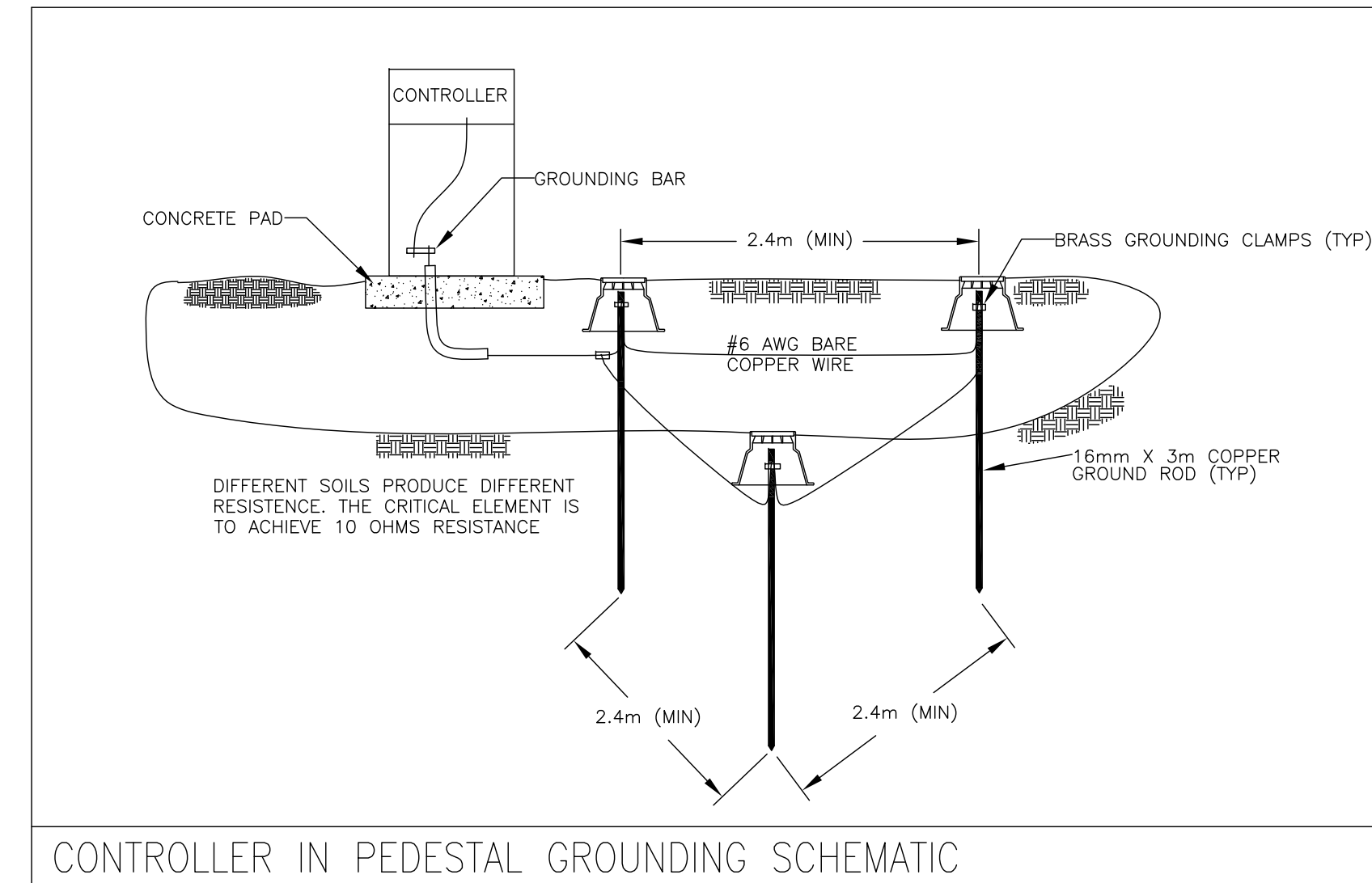
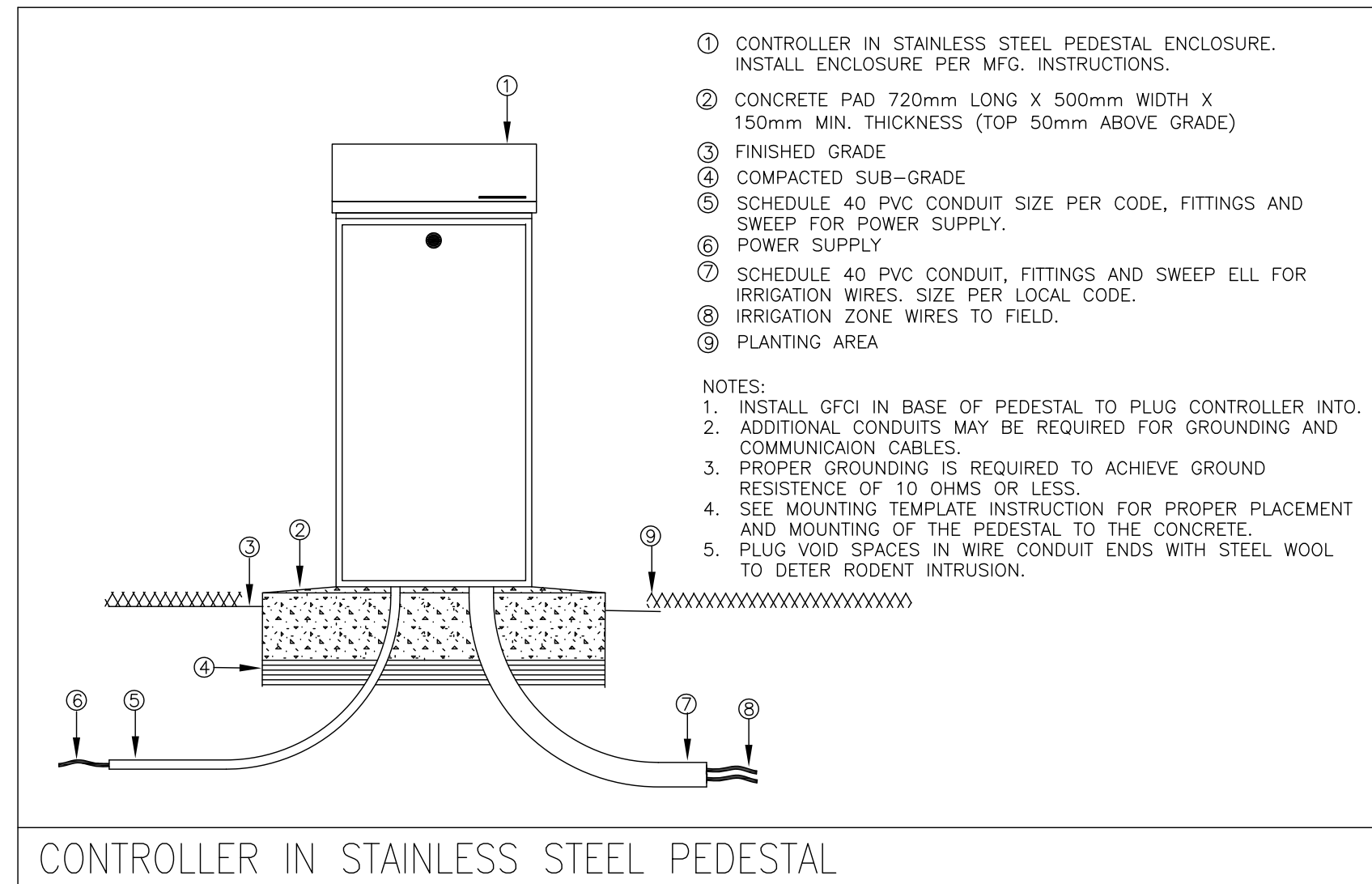
project / projet

**GARDEN OF THE PROVINCE :  
PLANTING REHABILITATION**

drawing / dessin

**IRRIGATION DETAILS (1 OF 2)**

approved by / approuvé par AF  
 designed by / conçu par AF  
 drawn by / dessiné par AF  
 date 18/12/14 scale / échelle NTS  
 NCC project no. / sheet no.  
 no. du projet de la CCN no. de la feuille  
 RD- IR3





no.	description	date
3	ISSUE FOR REVIEW	27-01-15
2	ISSUE FOR REVIEW	27-01-15
1	ISSUE FOR REVIEW	18-12-14

