

Parcs  
Canada

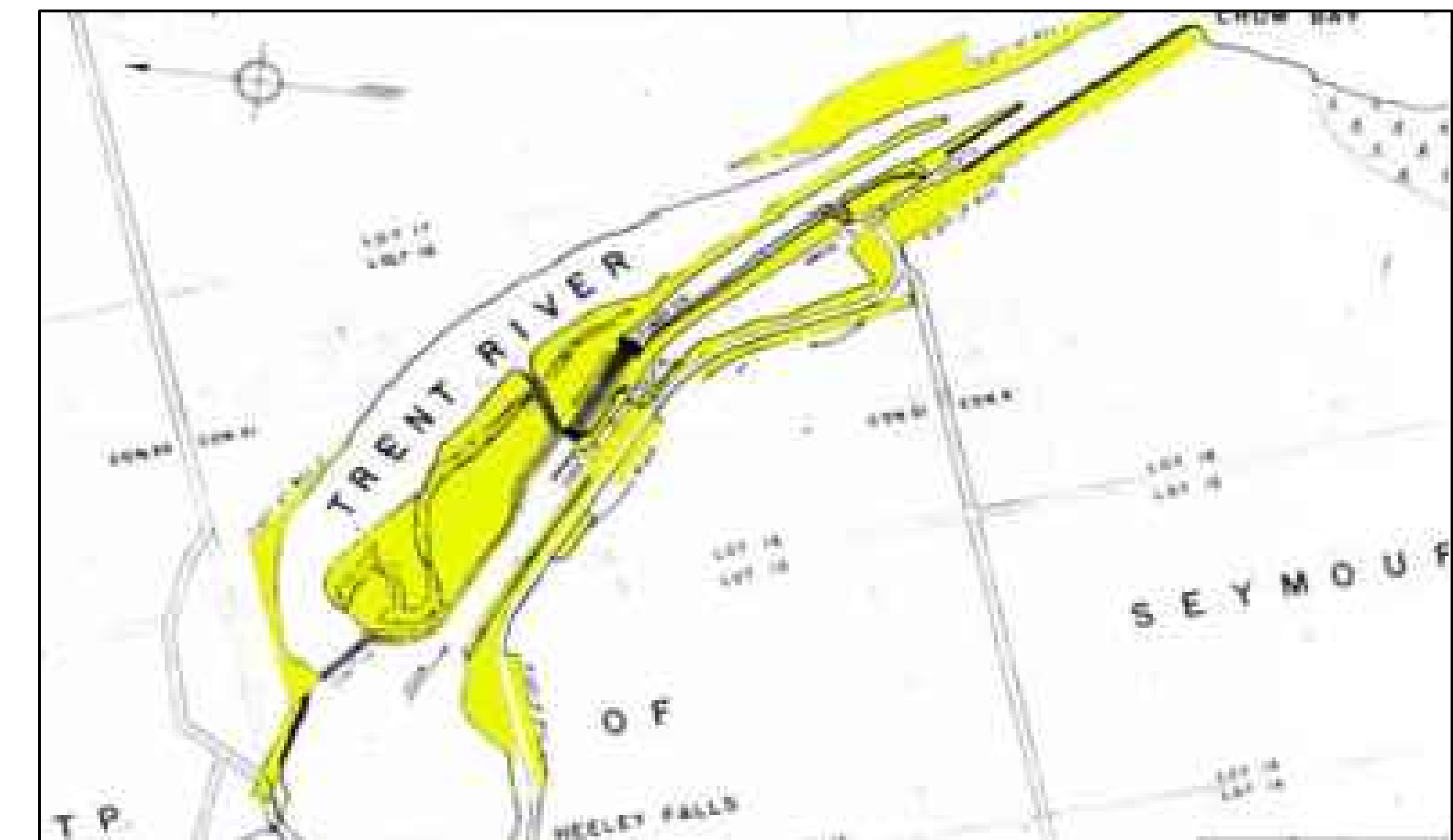
Parks  
Canada



# Canada

## HEALEY FALLS DAM AT LOCK 17 SAFETY BOOM

22112 11TH LINE W., SEYMOUR TWP.  
NORTHUMBERLAND COUNTY, ONTARIO



**KEY PLAN**  
**N.T.S.**

<b>DWG No.</b>	<b>DESCRIPTION</b>
HEA-01	EXISTING SITE PLAN
HEA-02	PROPOSED SAFETY BOOM
HEA-03	MISCELLANEOUS DETAILS

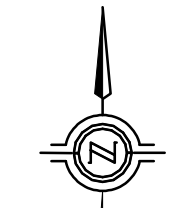
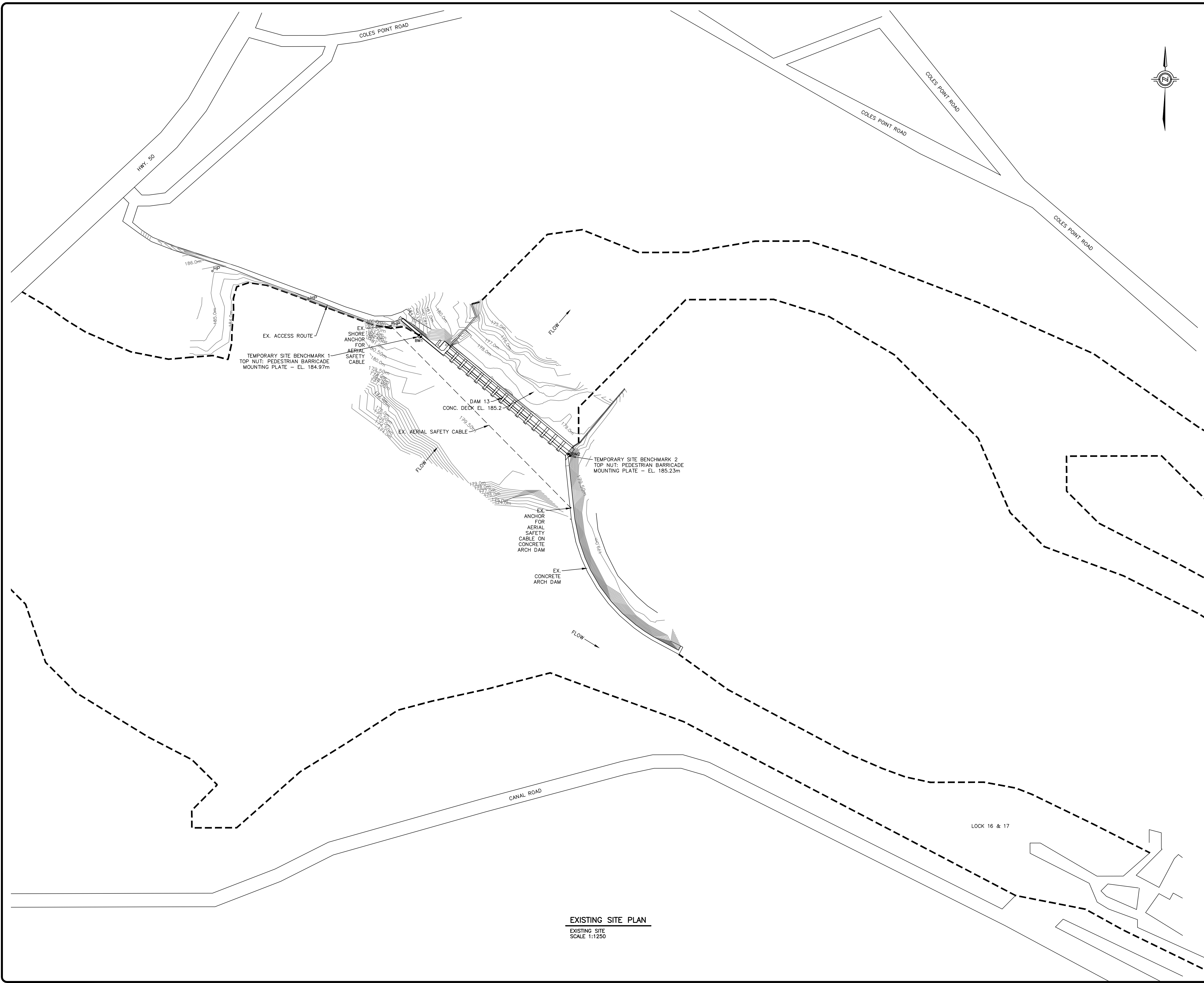
### ISSUED FOR TENDER

exp Services Inc.  
t: +1.905.793.9800 | f: +1.905.793.0641  
1595 Clark Boulevard  
Brampton, ON L6T 4V1  
Canada  
www.exp.com



PROJECT No.:  
BRM00605127a

• BUILDINGS • EARTH & ENVIRONMENT • ENERGY •  
• INDUSTRIAL • INFRASTRUCTURE • SUSTAINABILITY •



**GENERAL NOTES:**

- ALL DIMENSIONS AND ELEVATIONS SHOWN ARE METRIC, UNLESS OTHERWISE NOTED.

No.	REVISIONS	Date	By	App.
D	ISSUED FOR TENDER	FEB 10, 2015	T.M.	WAG
C	ISSUED FOR 99% SUBMISSION	DEC 04, 2014	T.M.	WAG
B	ISSUED FOR 66% SUBMISSION	SEPT 29, 2014	T.M.	WAG
A	ISSUED FOR REVIEW	FEB 19, 2014	T.M.	WAG



**exp Services Inc.**  
 T: +1.905.793.9800 | F: +1.905.793.0641  
 1595 Clark Boulevard  
 Brampton, ON L6T 4V1  
 Canada  
 www.exp.com

**exp.**

• BUILDINGS • EARTH & ENVIRONMENT • ENERGY •  
 • INDUSTRIAL • INFRASTRUCTURE • SUSTAINABILITY •

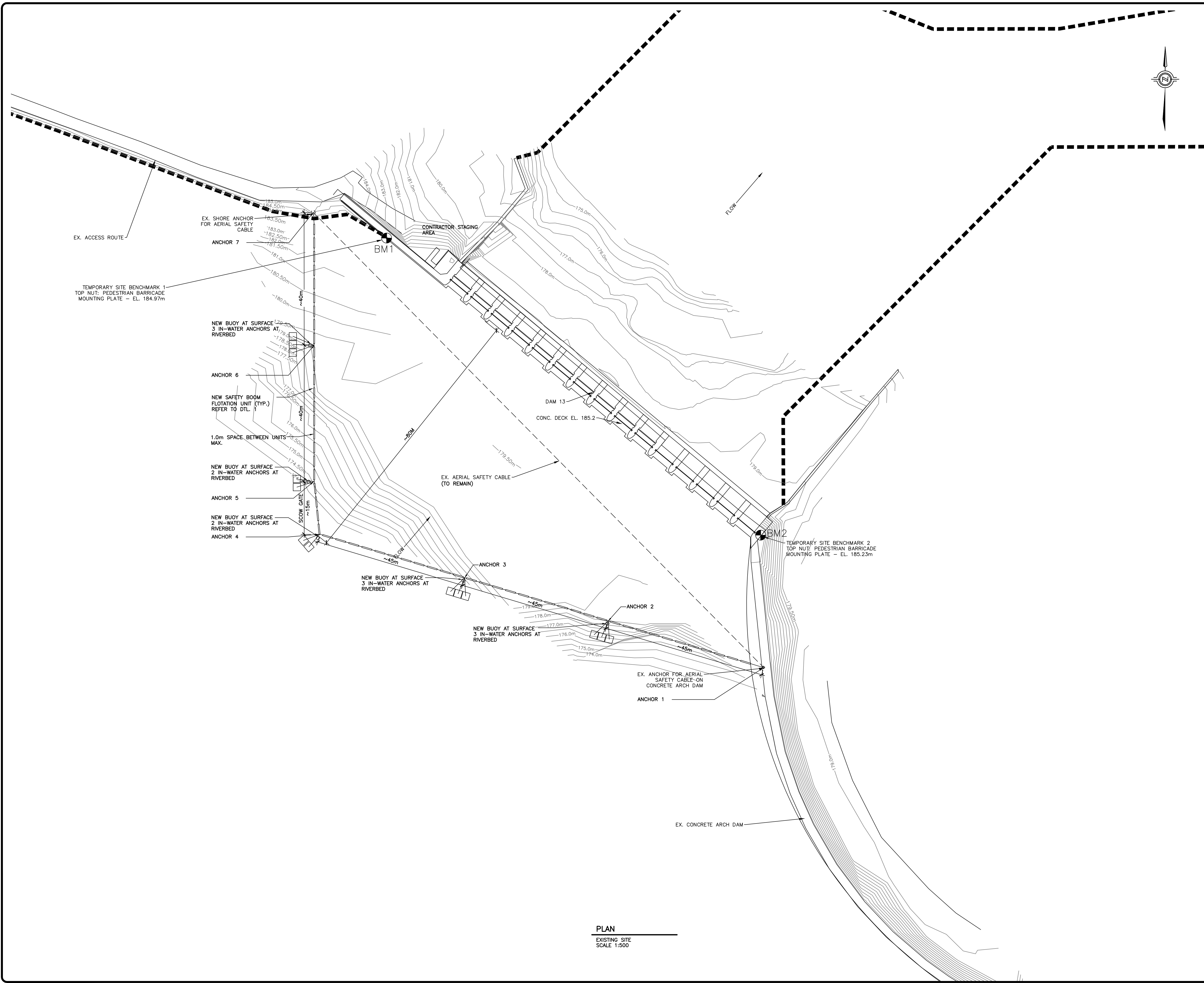


Location: 22112 11TH LINE W., SEYMOUR TWP.  
 NORTHUMBERLAND COUNTY,  
 ONTARIO

Title: **EXISTING SITE PLAN  
 HEALEY FALLS DAM**

CAD File: BRM00605127a HEA-01-RC	Base File:
Designed By: T.M.	Drawn By: T.M.
Scale: AS NOTED	Date: DECEMBER 2013
Dam No.: ---	Project No.: BRM00605127a
Checked By: W.A.G.	Drawing No.: <b>HEA-01</b>

**EXISTING SITE PLAN**  
 EXISTING SITE  
 SCALE 1:1250



**PLAN**  
EXISTING SITE  
SCALE 1:500



**GENERAL NOTES:**  
1. ALL DIMENSIONS AND ELEVATIONS SHOWN ARE METRIC, UNLESS OTHERWISE NOTED.

No.	REVISIONS	Date	By	App.
F	ISSUED FOR TENDER	FEB 10, 2015	T.M.	WAG
E	ISSUED FOR 99% SUBMISSION	DEC 04, 2014	T.M.	WAG
D	ISSUED FOR 66% SUBMISSION	SEPT 29, 2014	T.M.	WAG
C	RE-ISSUED FOR 33% SUBMISSION	MAY 26, 2014	T.M.	WAG
B	RE-ISSUED FOR 33% SUBMISSION	MAR 11, 2014	T.M.	WAG
A	ISSUED FOR 33% SUBMISSION	FEB 20, 2014	T.M.	WAG



**exp Services Inc.**  
 t: +1.905.793.9800 | f: +1.905.793.0641  
 1595 Clark Boulevard  
 Brampton, ON L6T 4V1  
 Canada  
 www.exp.com

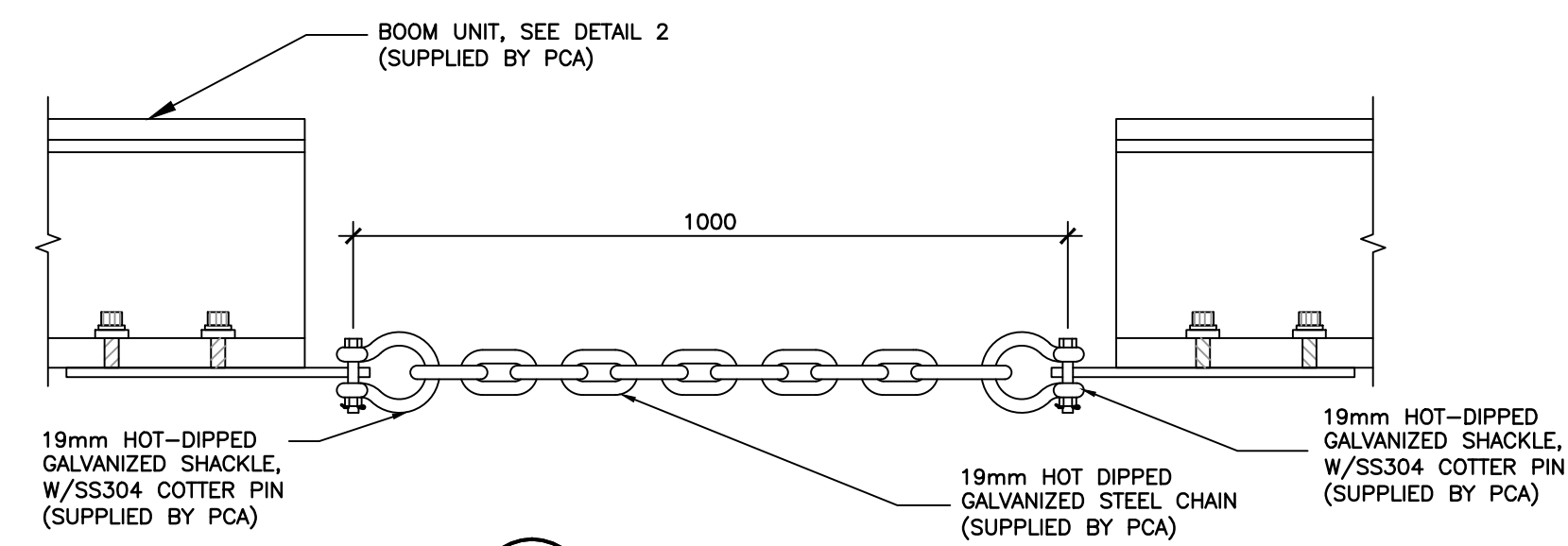
• BUILDINGS • EARTH & ENVIRONMENT • ENERGY •  
 • INDUSTRIAL • INFRASTRUCTURE • SUSTAINABILITY •



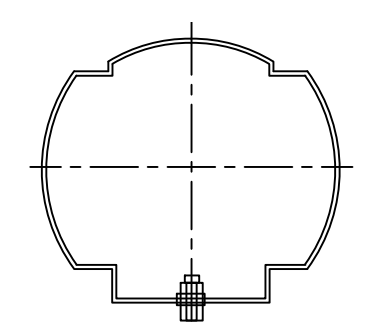
Location: 22112 11TH LINE W., SEYMOUR TWP.  
 NORTHUMBERLAND COUNTY,  
 ONTARIO

Title: HEALEY FALLS DAM AT LOCK 17  
 PROPOSED SAFETY BOOM

CAD File: BRM00605127a-HEA-02-RE	Base File:
Designed By: T.M.	Drawn By: T.M.
Scale: AS NOTED	Date: DECEMBER 2013
Dam No.: ---	Project No.: BRM00605127a
Checked By: W.A.G.	Drawing No.: HEA-02

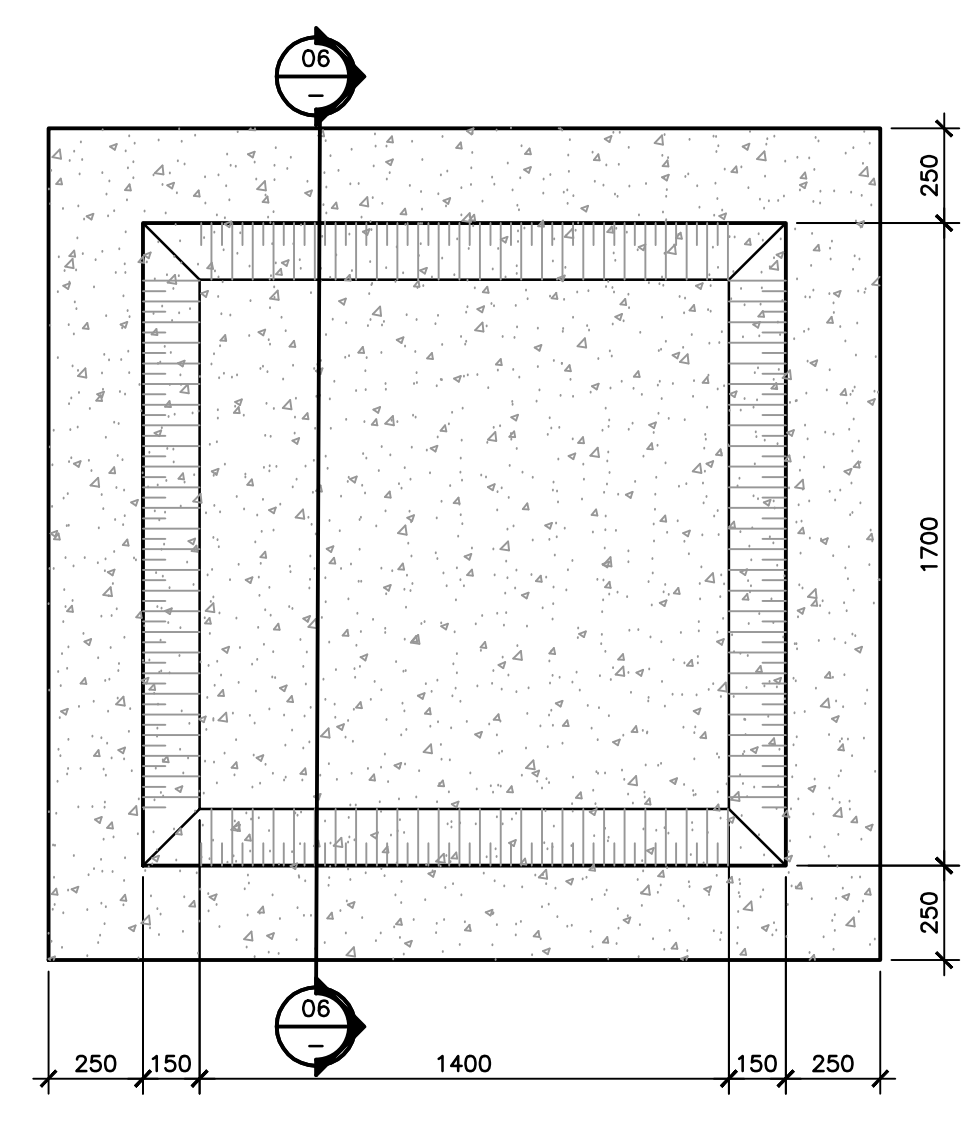


**01 DETAIL**  
ELEVATION SAFETY BOOM ASSEMBLY  
SCALE 1:10

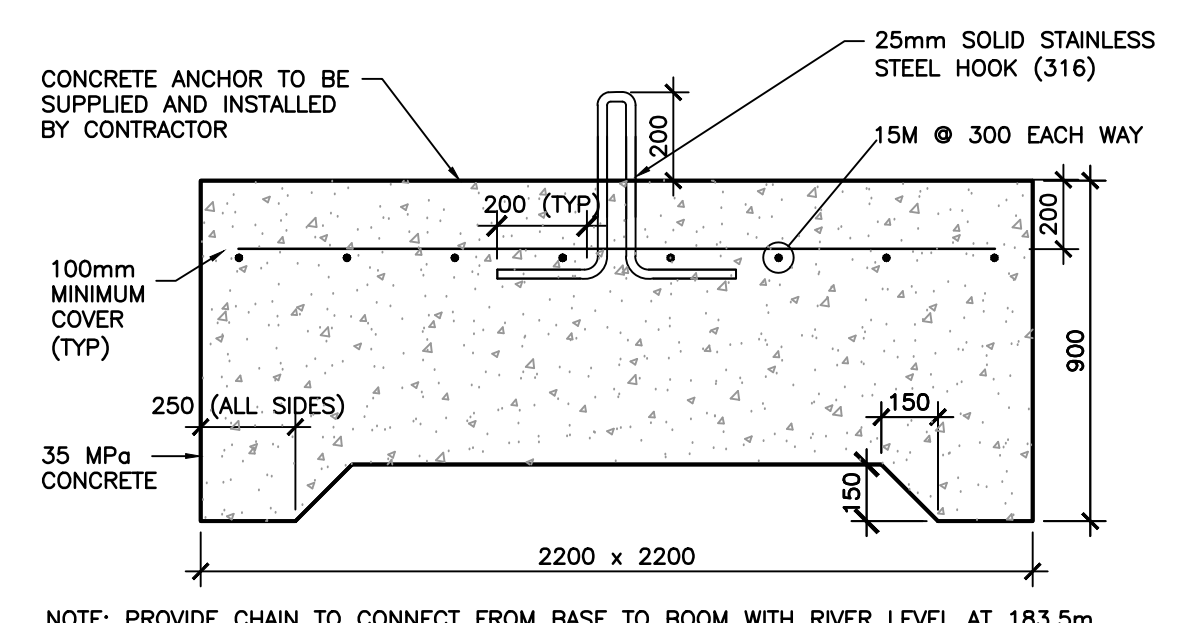


NAME: SAFETY BOOM FLOTATION UNIT  
TYPE: INTERNAL FOAM FILL CORE  
SHAPE: CYLINDRICAL  
LENGTH: 3.0M +/- 0.3M EACH  
DIAMETER: 0.4M +/- 0.5M EACH  
GRAPHICS ON FRONT FACE OF ALL UNITS TO ALTERNATE BETWEEN:  
◊ DANGER - DAM AHEAD - KEEP OUT ◊ AND  
◊ DANGER - BARRAGE DEVANT - NE PAS APPROCHER ◊  
GRAPHICS ON REAR FACE OF ALL UNITS TO BE:  
Parcs Parks  
Canada Canada  
COLOUR: YELLOW (FS-13655)  
SUPPLIED BY PCA

**02 DETAIL - SECTION**  
BOOM FLOTATION UNIT  
SCALE 1:10

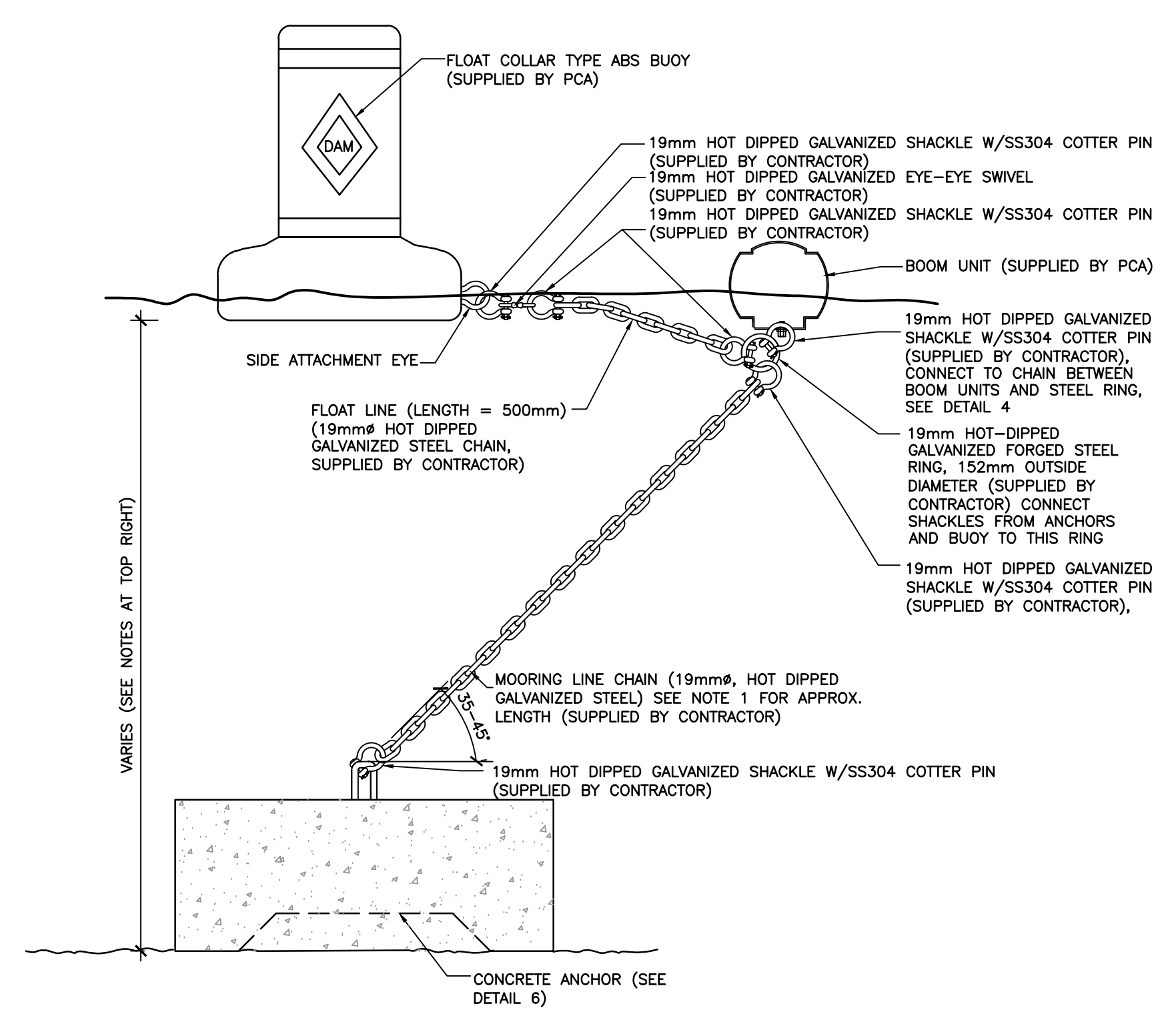


**05 PLAN - UNDERSIDE OF ANCHOR**  
ANCHOR INVERTED SHOWING CAVITY AT BASE  
SCALE 1:20

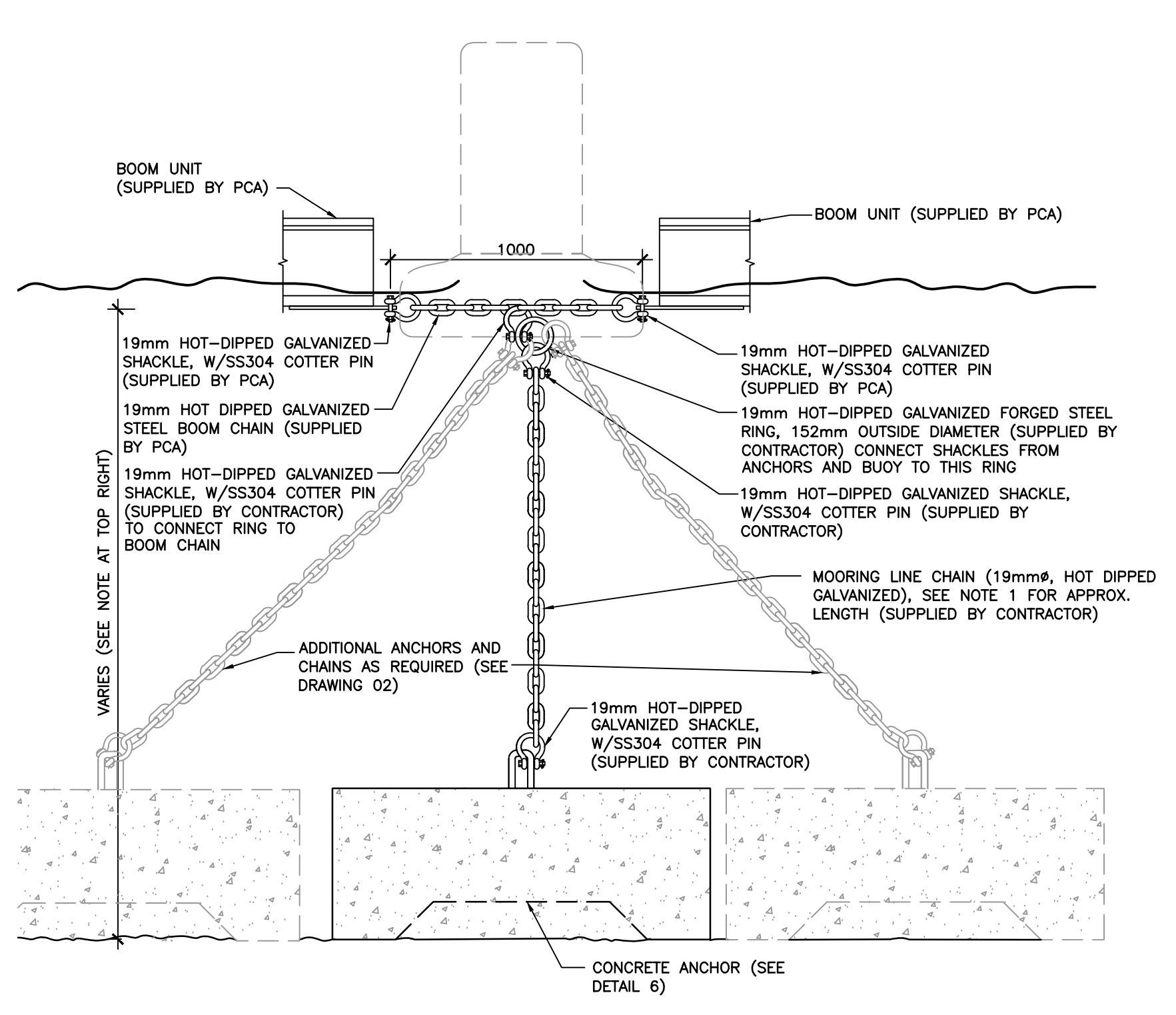


NOTE: PROVIDE CHAIN TO CONNECT FROM BASE TO BOOM WITH RIVER LEVEL AT 183.5m AS PER DETAIL 03

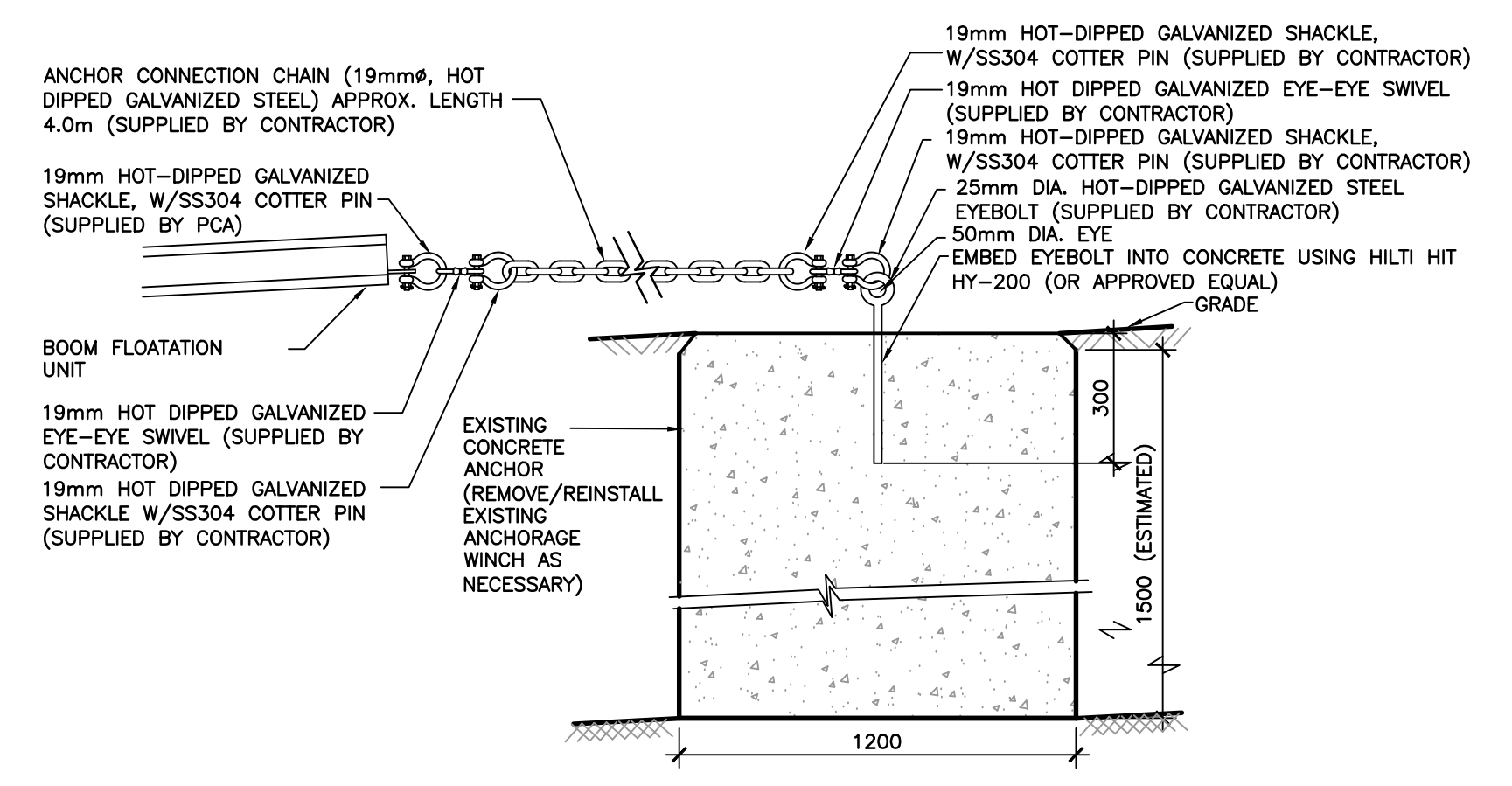
**06 DETAIL - SECTION**  
CONCRETE ANCHOR - IN-WATER  
SCALE 1:20



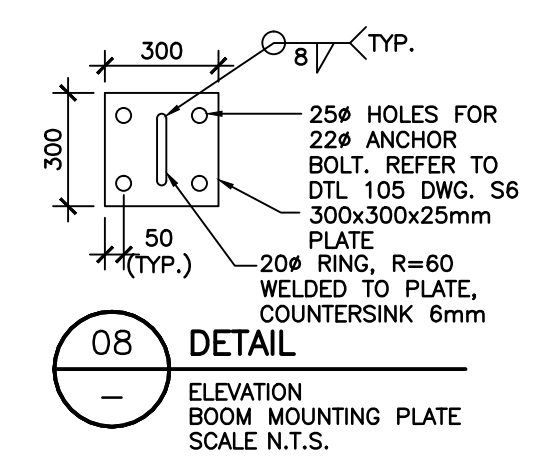
**03 DETAIL**  
ANCHOR-SAFETY BOOM-BUOY CONNECTIONS  
SCALE 1:20



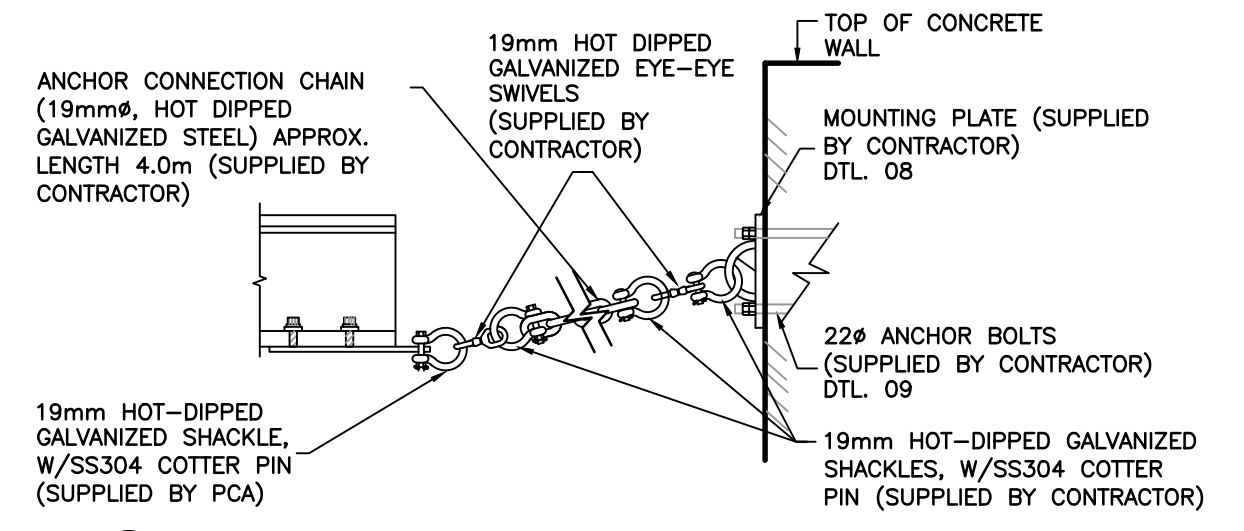
**04 DETAIL**  
ANCHOR-SAFETY BOOM CONNECTION  
SCALE 1:20



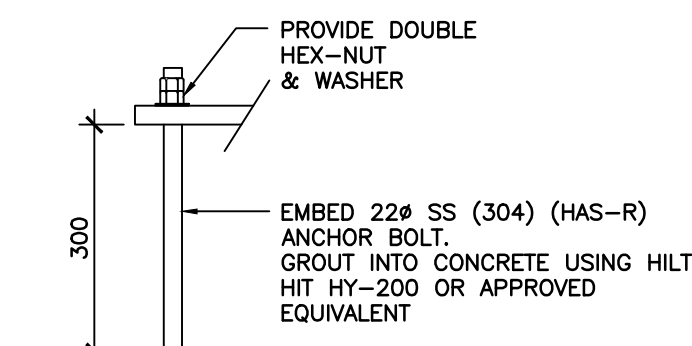
**10 ANCHOR 7 DETAIL**  
SECTION EXISTING CONCRETE ANCHOR AT SHORE (GROUND)  
SCALE N.T.S.



**08 DETAIL**  
ELEVATION BOOM MOUNTING PLATE  
SCALE N.T.S.



**07 DETAIL**  
BOOM ANCHOR 1 SECTION  
SCALE N.T.S.



**09 DETAIL**  
SECTION ANCHOR BOLT  
SCALE N.T.S.

NOTES RE ANCHOR CHAIN LENGTHS  
1. ANCHORS 2-6  
WATER ELEVATION ~ 183.5m  
ANCHOR 2 ~ 178.8m AT BASE, LENGTH = 6.6m  
ANCHOR 3 ~ 177.0m AT BASE, LENGTH = 9.8m  
ANCHOR 4 ~ 173.0m AT BASE, LENGTH = 16.7m  
ANCHOR 5 ~ 174.5m AT BASE, LENGTH = 14.1m  
ANCHOR 6 ~ 179.0m AT BASE, LENGTH = 6.3m  
2. WATER LEVEL VARIES, CONTRACTOR TO MEASURE WATER LEVEL PRIOR TO BOOM INSTALLATION AND ADJUST CHAIN ANGLE OF INCLINATION TO MATCH AS SHOWN ON DETAIL 3.

No.	REVISIONS	Date	By	App.
C	ISSUED FOR TENDER	FEB 10, 2015	T.M.	WAG
B	ISSUED FOR 99% SUBMISSION	DEC 04, 2014	T.M.	WAG
A	ISSUED FOR 66% SUBMISSION	SEPT 29, 2014	T.M.	WAG



**exp Services Inc.**  
t: +1.905.793.9800 | f: +1.905.793.0641  
1595 Clark Boulevard  
Brampton, ON L6T 4V1  
Canada  
www.exp.com

**exp.**

- BUILDINGS • EARTH & ENVIRONMENT • ENERGY •
- INDUSTRIAL • INFRASTRUCTURE • SUSTAINABILITY •

Owner/Client:  
Parcs Canada Parks Canada

**Canada**

Location: 22112 11TH LINE W., SEYMOUR TWP.  
NORTHUMBERLAND COUNTY,  
ONTARIO

Title: HEALEY FALLS DAM SAFETY BOOM  
MISCELLANEOUS DETAILS

CAD File: BRM00605127a-HEA-03-RB	Base File:
Designed By: T.M.	Drawn By: T.M.
Scale: AS NOTED	Date: JUNE 2014
Dam No.:	Project No.: BRM00605127a
Checked By: W.A.G.	Drawing No.: HEA-03