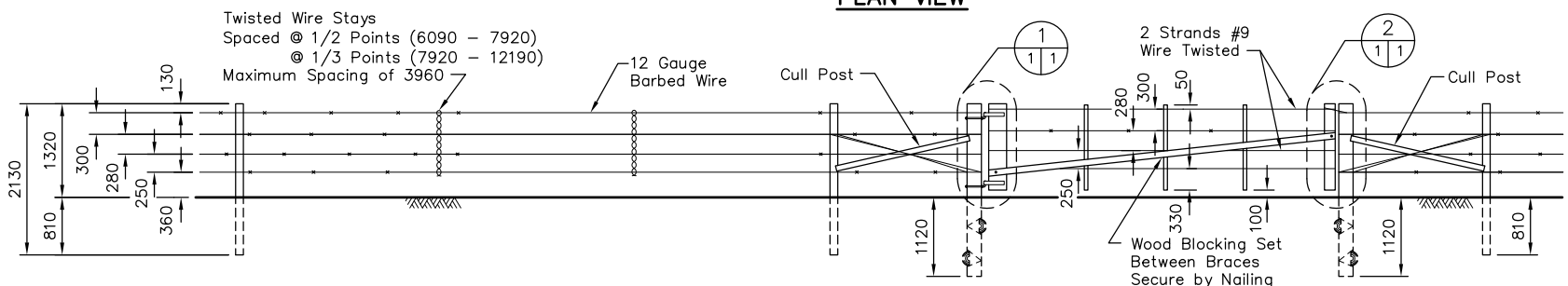
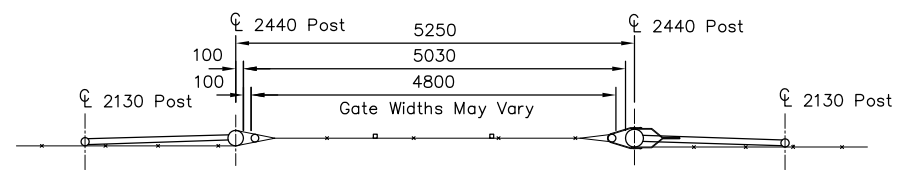


PLAN VIEW

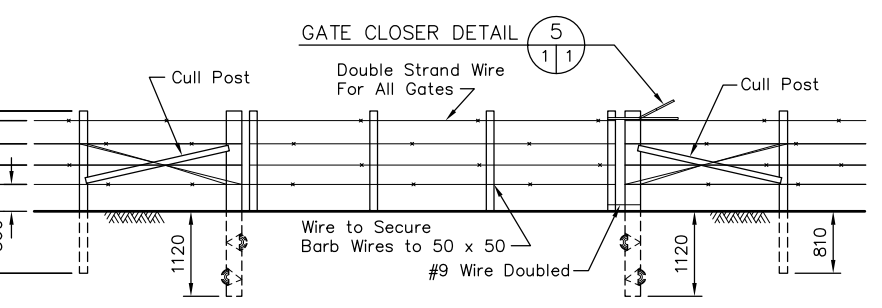


PROFILE PARTIAL SUSPENSION FENCE

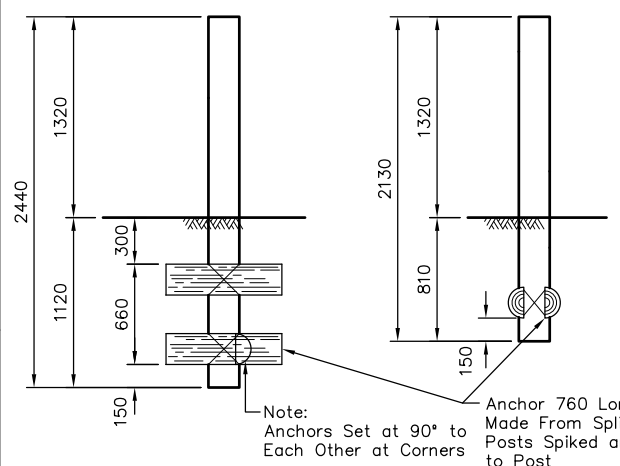
PROFILE STANDARD SPRING GATE



PLAN VIEW

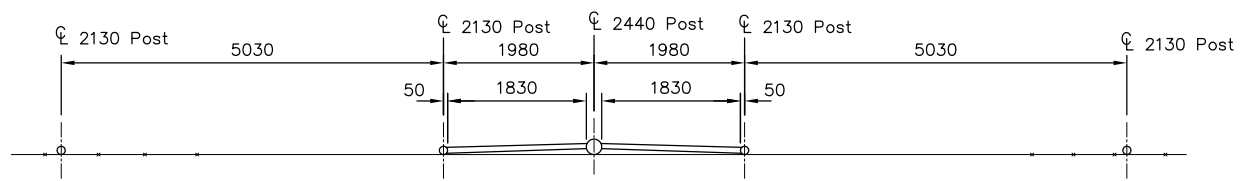


PROFILE STANDARD WIRE GATE

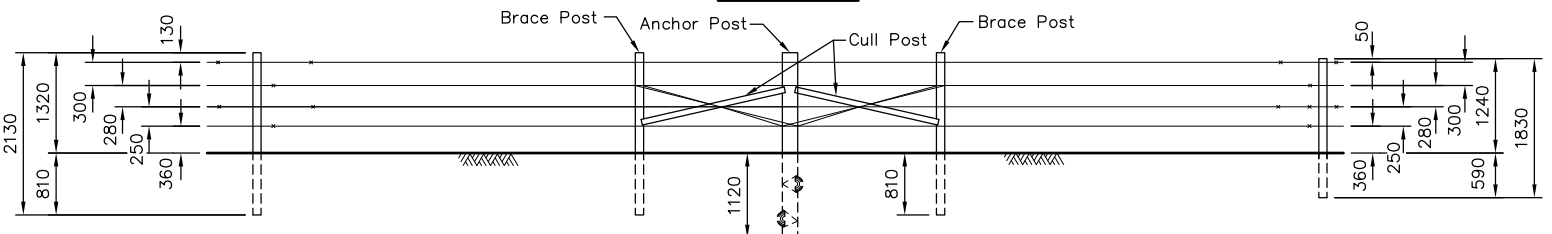


ANCHOR POST

DROP ANCHOR



PLAN VIEW

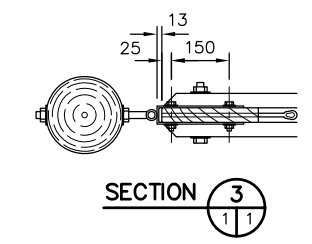


PROFILE STANDARD FENCE 2130 POSTS

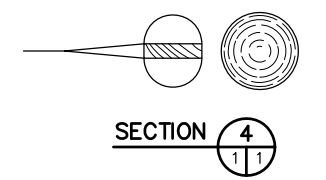
PROFILE STANDARD FENCE 1830 POSTS

PROFILE ANCHOR AND BRACE POSTS

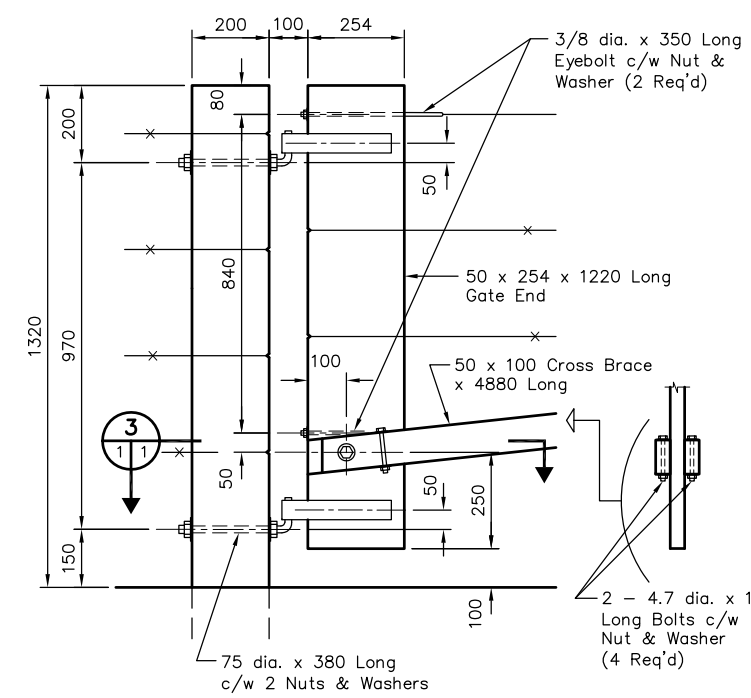
NOTE:
Drive staples across the grain of the post approximately 15°-45° from the perpendicular.
Each wire at all anchor post locations shall be wrapped around once and tied off.
Wire splices shall be made using a neat telephone style splice or approved sleeve.



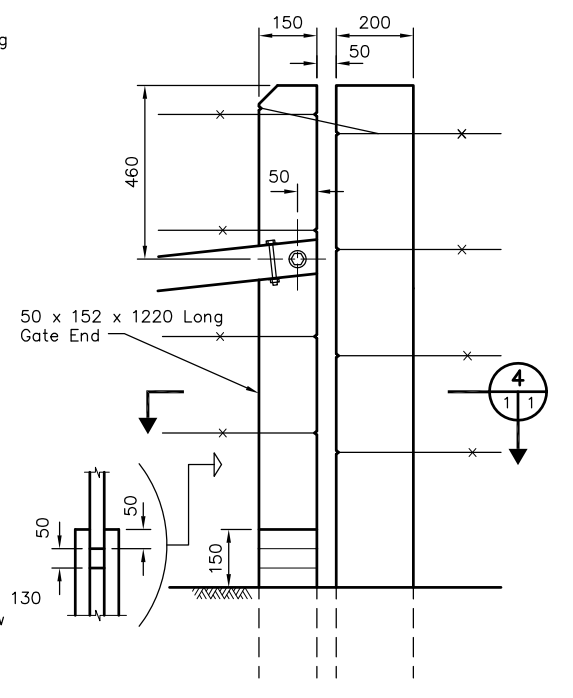
SECTION 3



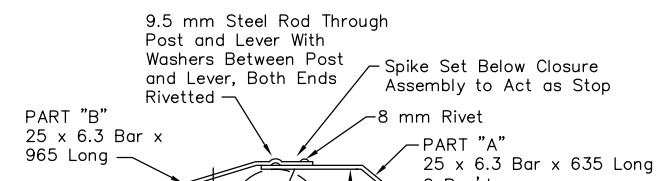
SECTION 4



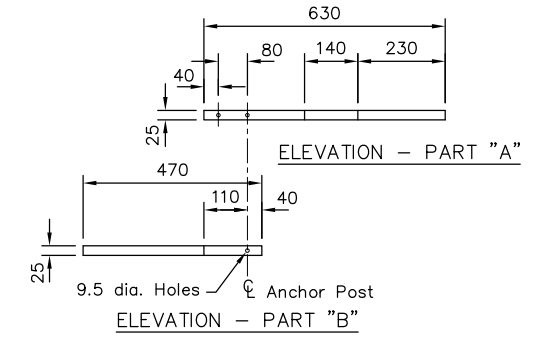
DETAIL 1



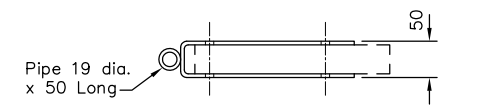
DETAIL 2



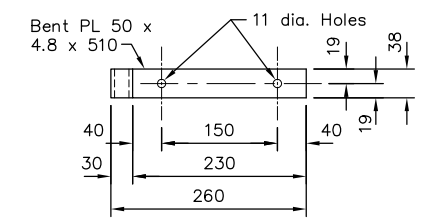
PLAN VIEW CLOSURE ASSEMBLY



GATE CLOSURE DETAILS 5



PLAN VIEW



SIDE VIEW

HINGE DETAIL

Mark	Grid Ref.	Nature of Revision	Date	Eng. Draft.
(B)		Drawing Redrawn in CADD and Metric	04/01/03	GBL
(A)		Note Added	04/24/89	BNL

Designed	Approved
Drawn	Position Title
Checked	Date

Agriculture and Agri-Food Canada / Agriculture et Agroalimentaire Canada
PFRA ARAP
 Prairie Farm Rehabilitation Administration / Administration du rétablissement agricole des Prairies

SUPERSEDES PLAN 112684A

STANDARD PLAN - PASTURES
STANDARD FENCES AND GATES PROFILES, SECTIONS AND DETAILS
 Scale: NTS Date: APR/03 Sheet 1 of 1 112684B