



Parks
Canada

Parcs
Canada

LAKE LOUISE CAMPGROUND FLOOD CONTROL

NOVEMBER 19, 2014

Client Number: 10942

Project Number: 110773391

ISSUED FOR TENDER/CONSTRUCTION

Legend

	POTENTIAL LAYDOWN AREAS
	CONSTRUCTION ACCESS ROUTE
	TEMPORARY WALKING PATH
	EXISTING TRAIL
	EXISTING TRAIL TO BE CLOSED DURING CONSTRUCTION
	PROPOSED BERM

- Notes**
1. ACCESS ACHIEVED VIA FAIRVIEW DR.
 2. LAYDOWN SHALL BE LIMITED TO AREAS SHOWN UNLESS APPROVED BY PARKS CANADA.

Disclaimer & Copyright

ISSUED FOR TENDER/
 CONSTRUCTION
 2014 NOV 19

Revision	By	Appd.	YYYY.MM.DD
5			
4			
3			
2			
1			
E			
D			
C			
B			
A	FOR TENDER/CONSTRUCTION	CT MW	2014.11.19
Issued		By Appd.	YYYY.MM.DD
Client No.:	10942	10:49 AM	
	Clara C. Girard	M. Wood	2014.11.19
	Dwn.	Chkd.	Dsgn.
			YYYY.MM.DD

Permit-Seal

APEGA PERMIT P0258
 SIGNED BY
 Francis Rosza
 2014 Nov 19

AUTHENTICATED BY
 Matt Wood
 2014 Nov 19

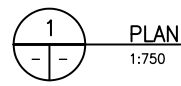
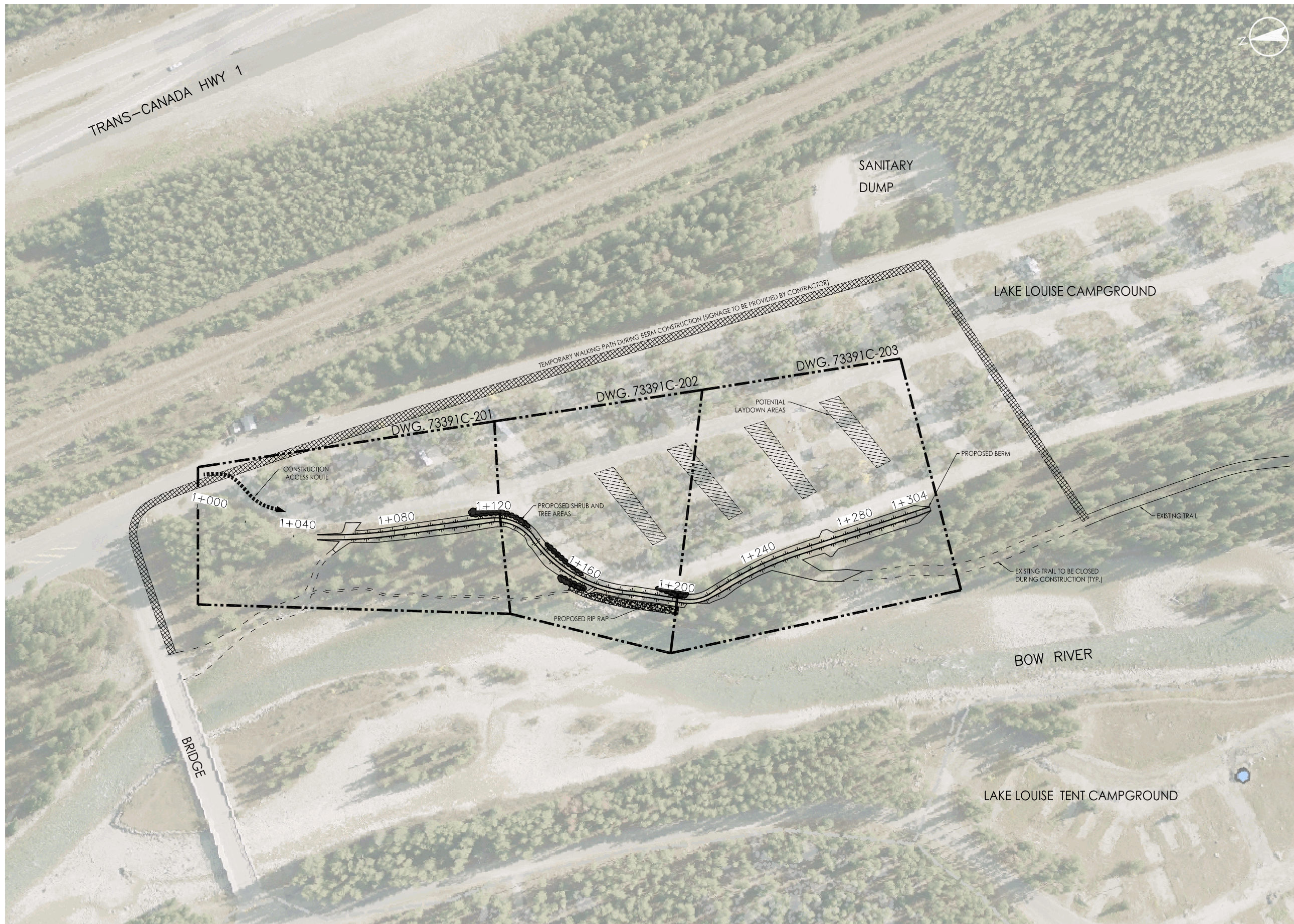
Client/Project

Parks Canada
 Parcs Canada

LAKE LOUISE CAMPGROUND
 BERM FLOOD CONTROL
 Lake Louise, AB, Canada

Title
 CIVIL
 OVERALL SITE PLAN ACCESS,
 LAYDOWN AND TRAIL DETOUR

Project No. 110773391
 Scale 1:1000
 Drawing No. 73391C-101
 Issue/Revision A / 0



ORIGINAL SHEET - AND 12 2204

200 - 325 25th Street SE
 Calgary AB Canada T2A 7H8
 Tel. 403.716.8000
 www.stantec.com

Copyright Reserved

The Contractor shall verify and be responsible for all dimensions. DO NOT scale the drawing - any errors or omissions shall be reported to Stantec without delay.
 The Copyrights to all designs and drawings are the property of Stantec. Reproduction or use for any purpose other than that authorized by Stantec is forbidden.

Consultants

Legend

- EXISTING TREE
- PROPOSED BERM
- CONTOUR 0.20m SPACING OF PROPOSED BERM
- CENTERLINE OF PROPOSED BERM

Notes

1. SURVEY COMPLETED BY STANTEC IN JUNE 18, 2014
2. PORTION OF PROPOSED BERM SHALL BECOME NEW TRAIL FOR SUMMER HIKING AND WINTER CROSS COUNTRY SKIING

Disclaimer & Copyright

**ISSUED FOR TENDER/
 CONSTRUCTION
 2014 NOV 19**

Revision	By	Appd.	YYYY.MM.DD
5			
4			
3			
2			
1			
A	CT	MW	2014.11.19

Issued By: Appd. 8:18 AM 2014.11.19

Client No.: 10942 Clandara C Girouard M Wood 8:18 AM 2014.11.19
 Dwn. Chkd. Dsgn. YYYY.MM.DD

Permit/Seal

APEGA PERMIT P0258
 SIGNED BY Francis Rosza
 2014 Nov 19

AUTHENTICATED BY
 Matt Wood
 2014 Nov 19

Client/Project

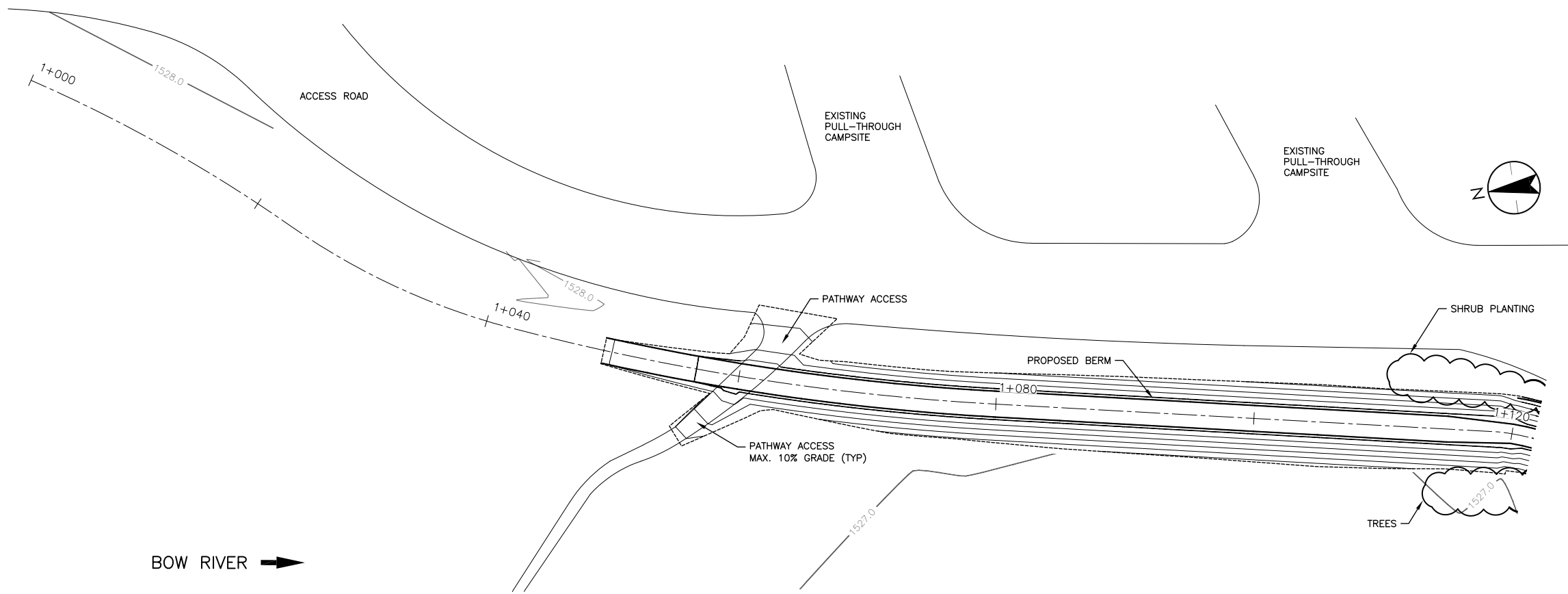
Parks Canada Parcs Canada

**LAKE LOUISE CAMPGROUND
 BERM FLOOD CONTROL**
 Lake Louise, AB, Canada

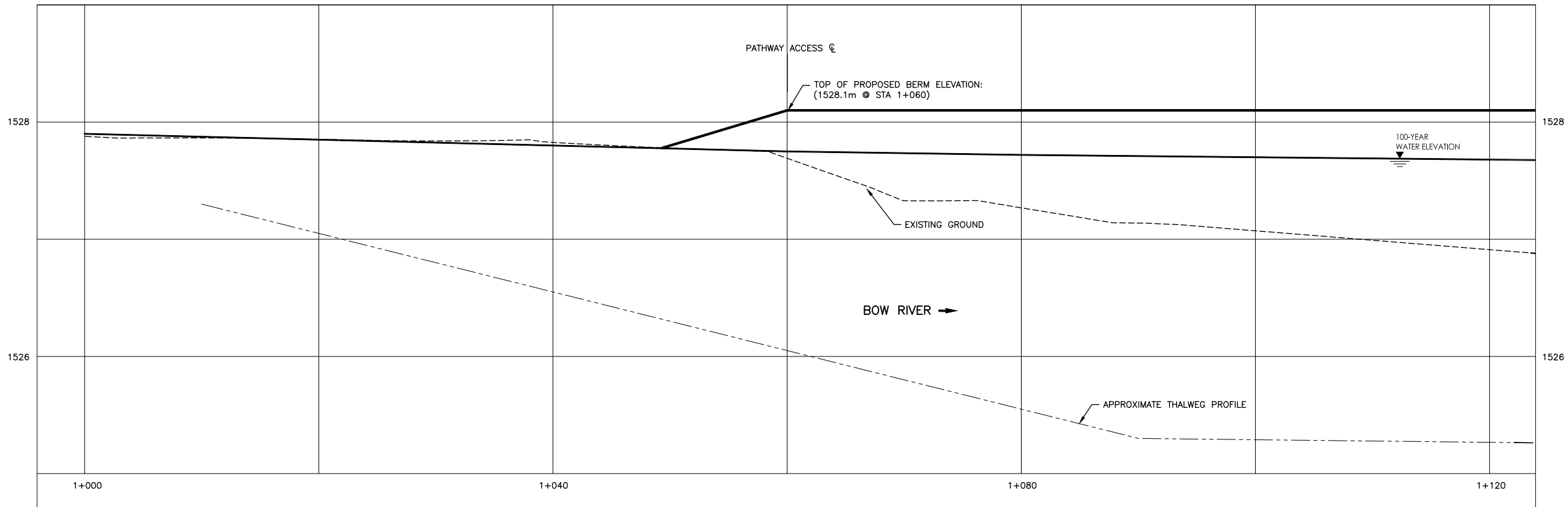
Title
**CIVIL
 PLAN AND PROFILE
 STATION 1+000 TO 1+120**

Project No. 110773391 Scale AS NOTED

Drawing No. 73391C-201 Issue/Revision A / 0



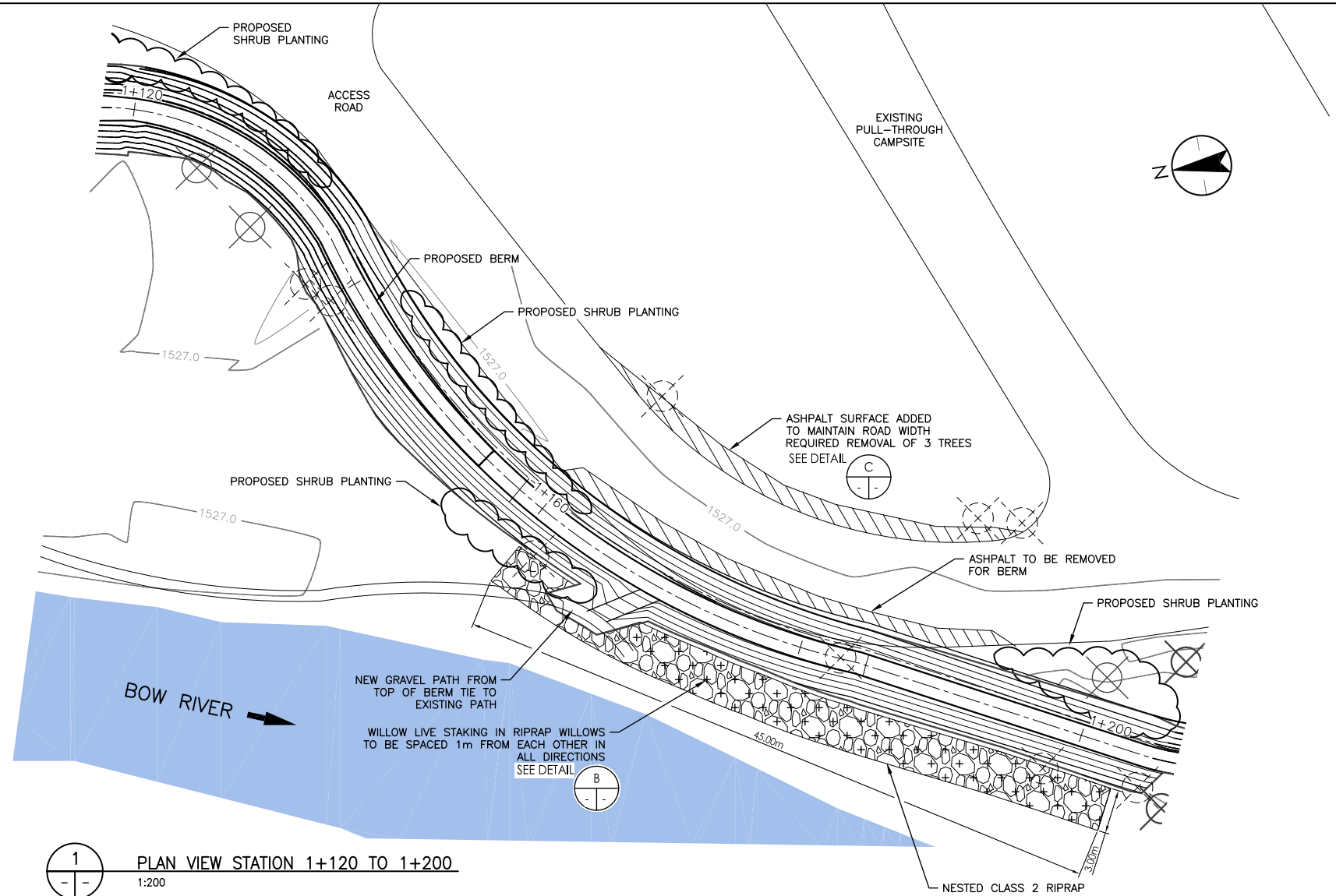
1 PLAN VIEW STATION 1+000 TO 1+120
 1:200



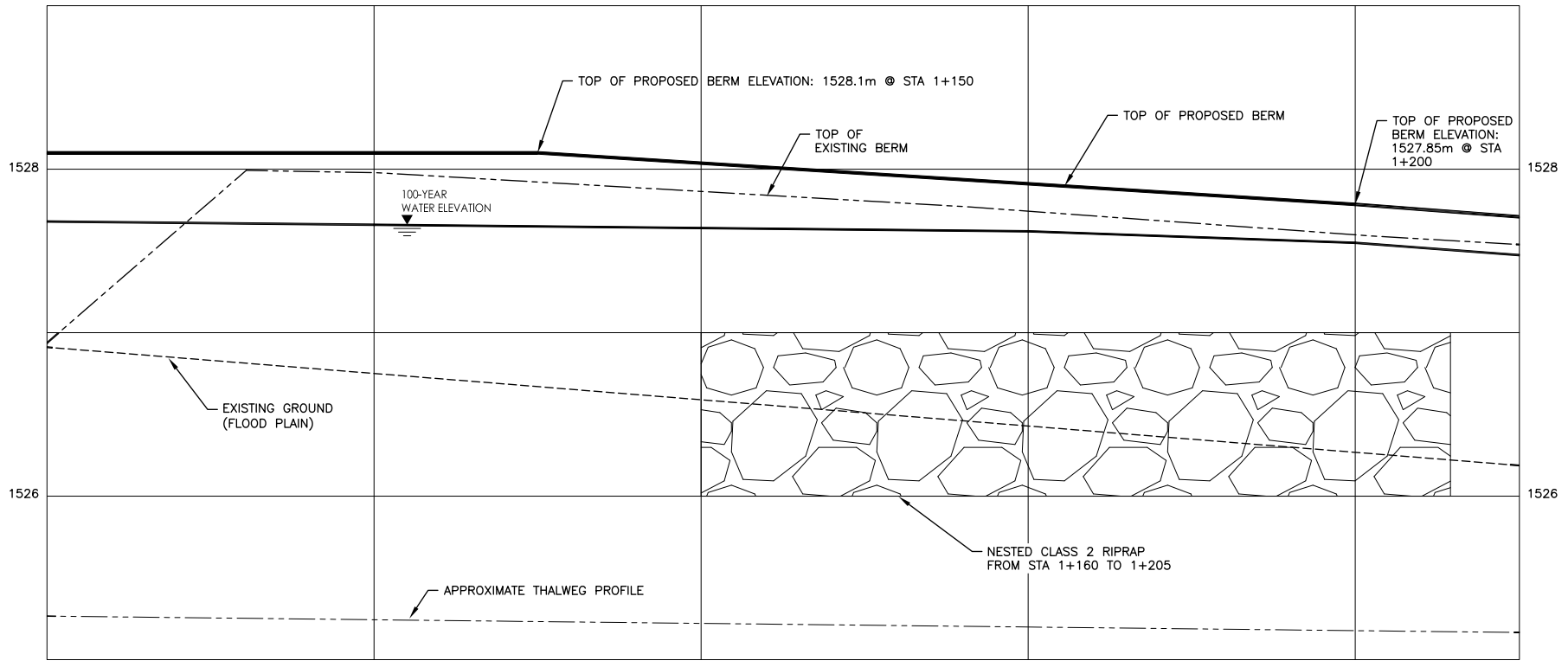
A PROFILE VIEW STATION 1+000 TO 1+120
 HOR 1:200
 VERT 1:20

11/11/2014 11:19 AM By: [unreadable] C:\[unreadable]\[unreadable].dwg

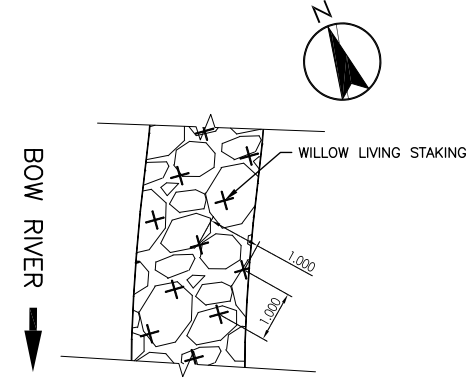
ORIGINAL SHEET - AND 12 2014



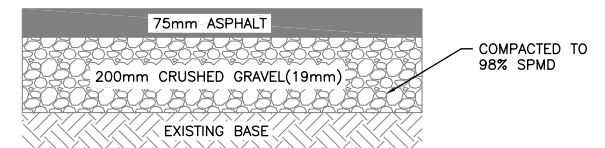
1 PLAN VIEW STATION 1+120 TO 1+200
1:200



A PROFILE VIEW STATION 1+120 TO 1+200
HOR 1:200
VERT 1:20



B WILLOW STAKING DETAIL
NTS



C ROAD RELOCATION DETAIL
NTS

Copyright Reserved
The Contractor shall verify and be responsible for all dimensions. DO NOT scale the drawing - any errors or omissions shall be reported to Stantec without delay.
The Copyrights to all designs and drawings are the property of Stantec. Reproduction or use for any purpose other than that authorized by Stantec is forbidden.

Consultants

Legend

- EXISTING TREE (TO REMAIN)
- EXISTING TREE (TO BE REMOVED)
- PROPOSED BERM
- CONTOUR 0.20m SPACING OF PROPOSED BERM
- CENTERLINE OF PROPOSED BERM

Notes

1. SURVEY COMPLETED BY STANTEC IN JUNE 18, 2014
2. PORTION OF PROPOSED BERM SHALL BECOME NEW TRAIL FOR SUMMER HIKING AND WINTER CROSS COUNTRY SKIING

Disclaimer & Copyright

**ISSUED FOR TENDER/
CONSTRUCTION
2014 NOV 19**

Revision	By	Appd.	YYYY.MM.DD
5			
4			
3			
2			
1			
A	FOR TENDER/CONSTRUCTION	CT MW	2014.11.19
Issued		By Appd.	YYYY.MM.DD

Client No.: 10942 Chandara C Girouard M Wood 2014.11.19
Dwn. Chkd. Dsgn. YYYY.MM.DD

Permit/Seal
APEGA PERMIT P0258
SIGNED BY Francis Rosza 2014 Nov 19
AUTHENTICATED BY Matt Wood 2014 Nov 19

Client/Project
 Parks Canada
Parcs Canada

LAKE LOUISE CAMPGROUND
BERM FLOOD CONTROL
Lake Louise, AB, Canada

Title
CIVIL
PLAN AND PROFILE
STATION 1+120 TO 1+200

Project No. 110773391 Scale AS NOTED

Drawing No. 73391C-202 Issue/Revision A / 0

ORIGINAL SHEET - AND 12 22 04

200 - 325 25th Street SE
 Calgary AB Canada T2A 7H8
 Tel. 403.716.8000
 www.stantec.com

Copyright Reserved
 The Contractor shall verify and be responsible for all dimensions. DO NOT scale the drawing - any errors or omissions shall be reported to Stantec without delay.
 The Copyrights to all designs and drawings are the property of Stantec. Reproduction or use for any purpose other than that authorized by Stantec is forbidden.

Consultants

Legend

- EXISTING TREE (TO REMAIN)
- EXISTING TREE (TO BE REMOVED)
- PROPOSED BERM
- CONTOUR 0.20m SPACING OF PROPOSED BERM
- CENTERLINE OF PROPOSED BERM

Notes

1. SURVEY COMPLETED BY STANTEC IN JUNE 18, 2014
2. PORTION OF PROPOSED BERM SHALL BECOME NEW TRAIL FOR SUMMER HIKING AND WINTER CROSS COUNTRY SKIING

Disclaimer & Copyright

ISSUED FOR TENDER/
 CONSTRUCTION
 2014 NOV 19

Revision	By	Appd.	YYYY.MM.DD
5			
4			
3			
2			
1			
A	CT	MW	2014.11.19

Client No.: 10942
 Client: C Girouard
 Dwn. Chkd. Dsgn. M Wood
 2014.11.19
 8:33 AM
 YYY.MM.DD

Permit/Seal
 APEGA PERMIT P0258
 SIGNED BY Francis Rosza
 2014 Nov 19
 AUTHENTICATED BY Matt Wood
 2014 Nov 19

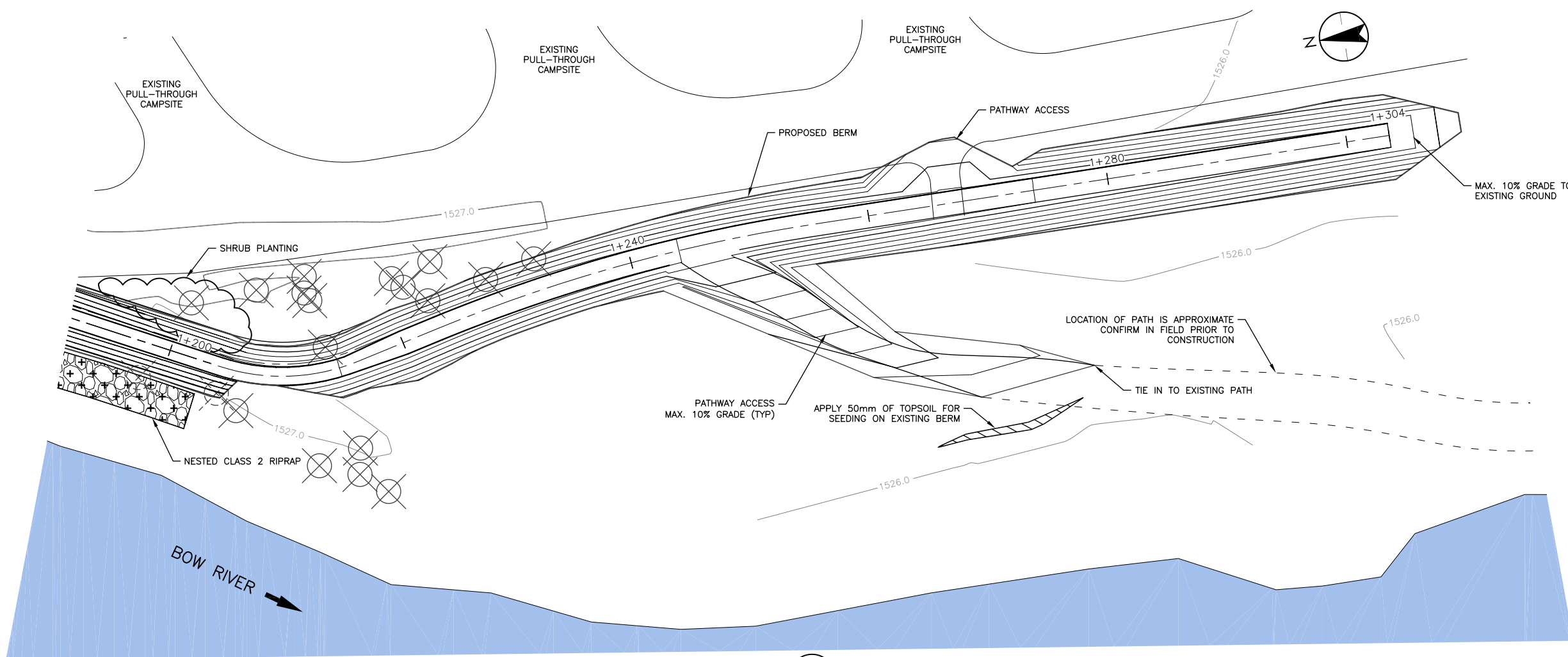
Client/Project

 Parks Canada
 Parcs Canada

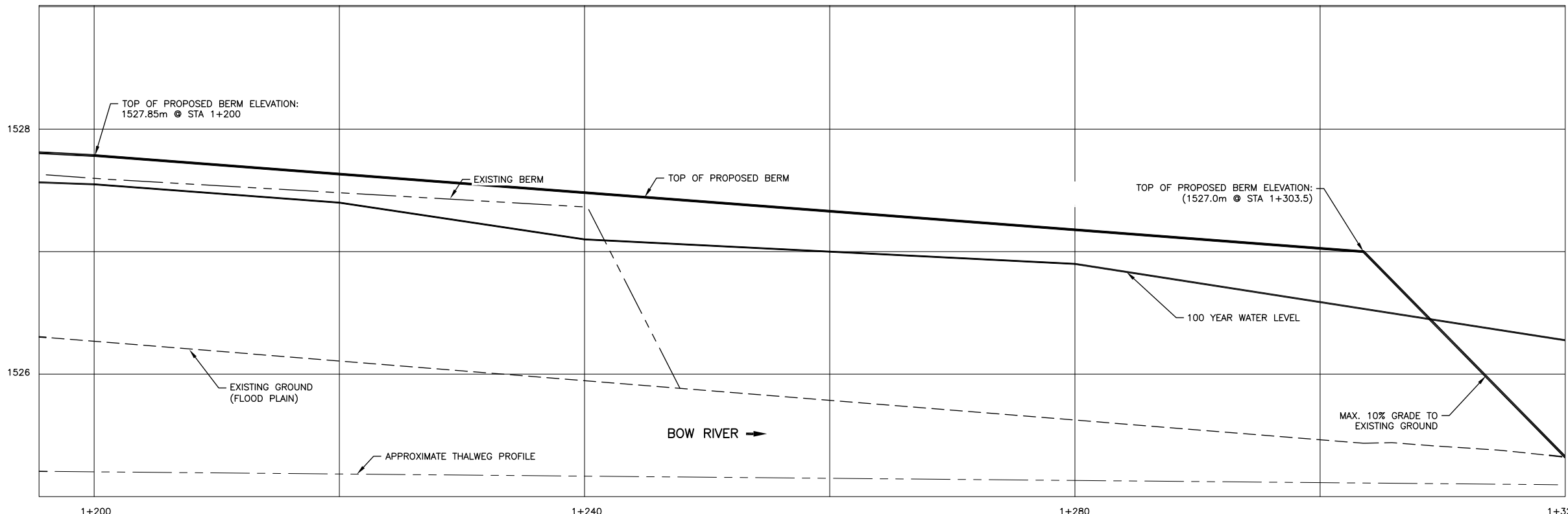
LAKE LOUISE CAMPGROUND
 BERM FLOOD CONTROL
 Lake Louise, AB, Canada

Title
 CIVIL
 PLAN AND PROFILE
 STATION 1+200 TO 1+320

Project No. 110773391
 Drawing No. 73391C-203
 Scale AS NOTED
 Issue/Revision A / 0



1
 PLAN VIEW STATION 1+200 TO 1+320
 1:200



A
 PROFILE VIEW 1+200 TO 1+320
 HOR 1:200
 VERT 1:20

110773391.dwg
 2014/11/19 11:20 AM By: [unreadable]

ISSUED FOR TENDER/
 CONSTRUCTION
 2014 NOV 19

Revision	By	Appd.	YYYY.MM.DD
5			
4			
3			
2			
1			
E			
D			
C			
B			
A	FOR TENDER/CONSTRUCTION	CT	MW 2014.11.19
Issued			8:34 AM 2014.11.19
Client No.	10942	CTandara C Girouard	MWood 2014.11.19
		Dwn.	Chkd. Dsgn. YYYY.MM.DD

Permit/Seal

APEGA PERMIT P0258
 SIGNED BY
 Francis Rosza
 2014 Nov 19

AUTHENTICATED BY
 Matt Wood
 2014 Nov 19

Client/Project



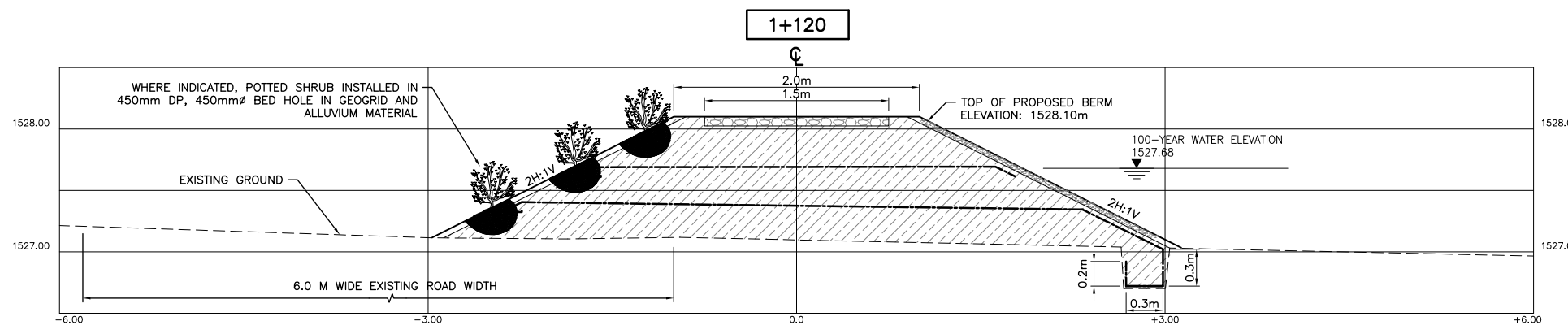
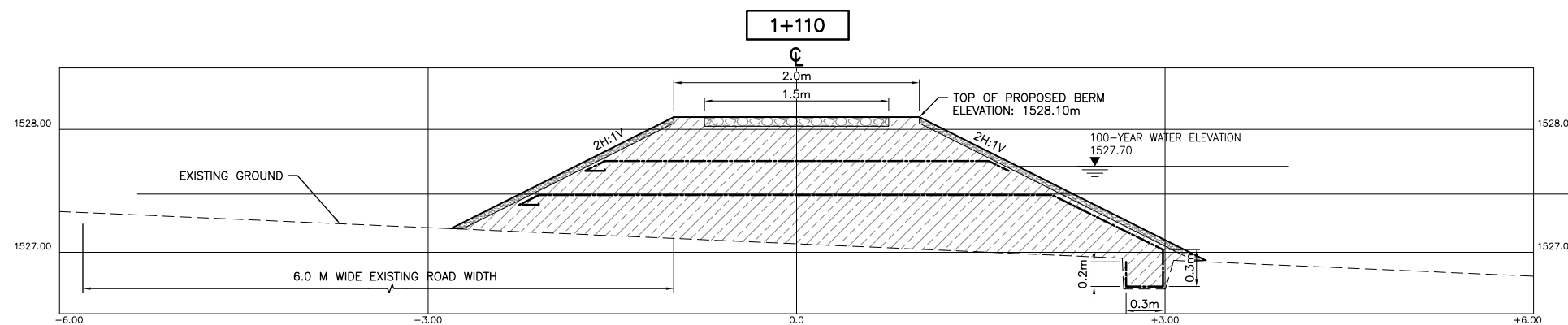
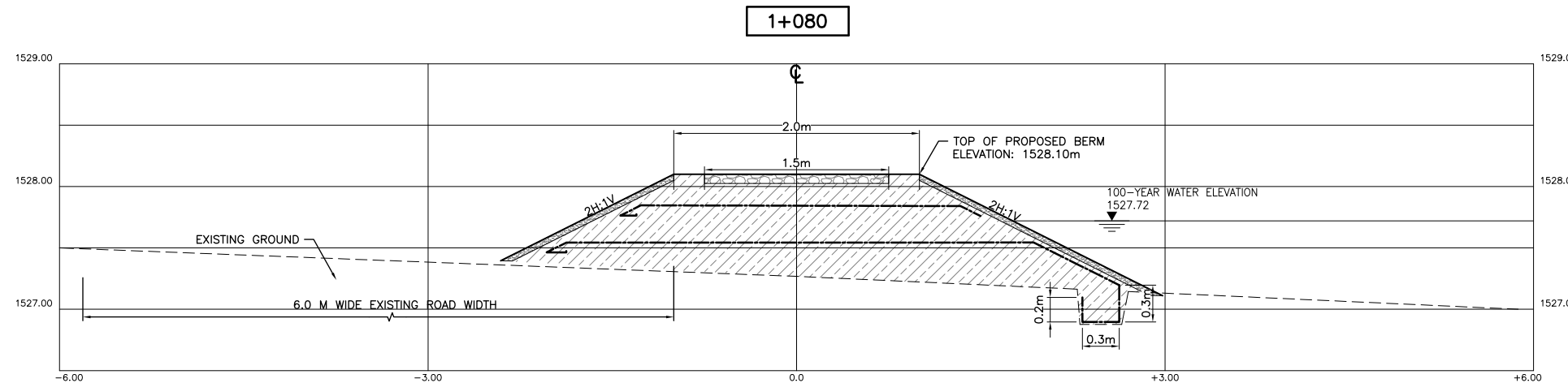
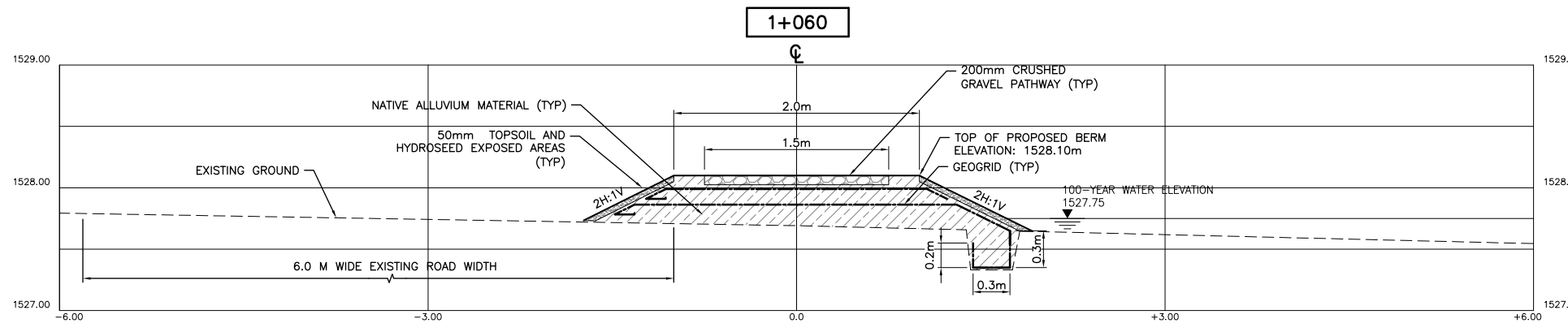
Parks Canada
 Parcs Canada

LAKE LOUISE CAMPGROUND
 BERM FLOOD CONTROL
 Lake Louise, AB, Canada

Title
 CIVIL
 PROPOSED BERM
 SECTIONS - SHEET 1 OF 3

Project No. 110773391 Scale 1:25

Drawing No. 73391C-301 Issue/Revision A / 0



ISSUED FOR TENDER/
 CONSTRUCTION
 2014 NOV 19

Revision	By	Appd.	YYYY.MM.DD
5			
4			
3			
2			
1			
E			
D			
C			
B			
A	FOR TENDER/CONSTRUCTION	CT	MW 2014.11.19
Issued			

Client No.: 10942
 Client: Clondara C/Guard
 Dwn. Chkd. Dsgn. YYY.MM.DD

Permit/Seal
 APEGA PERMIT P0258
 SIGNED BY Francis Rosza 2014 Nov 19
 AUTHENTICATED BY Matt Wood 2014 Nov 19

Client/Project
 Parks Canada
 Parc Canada

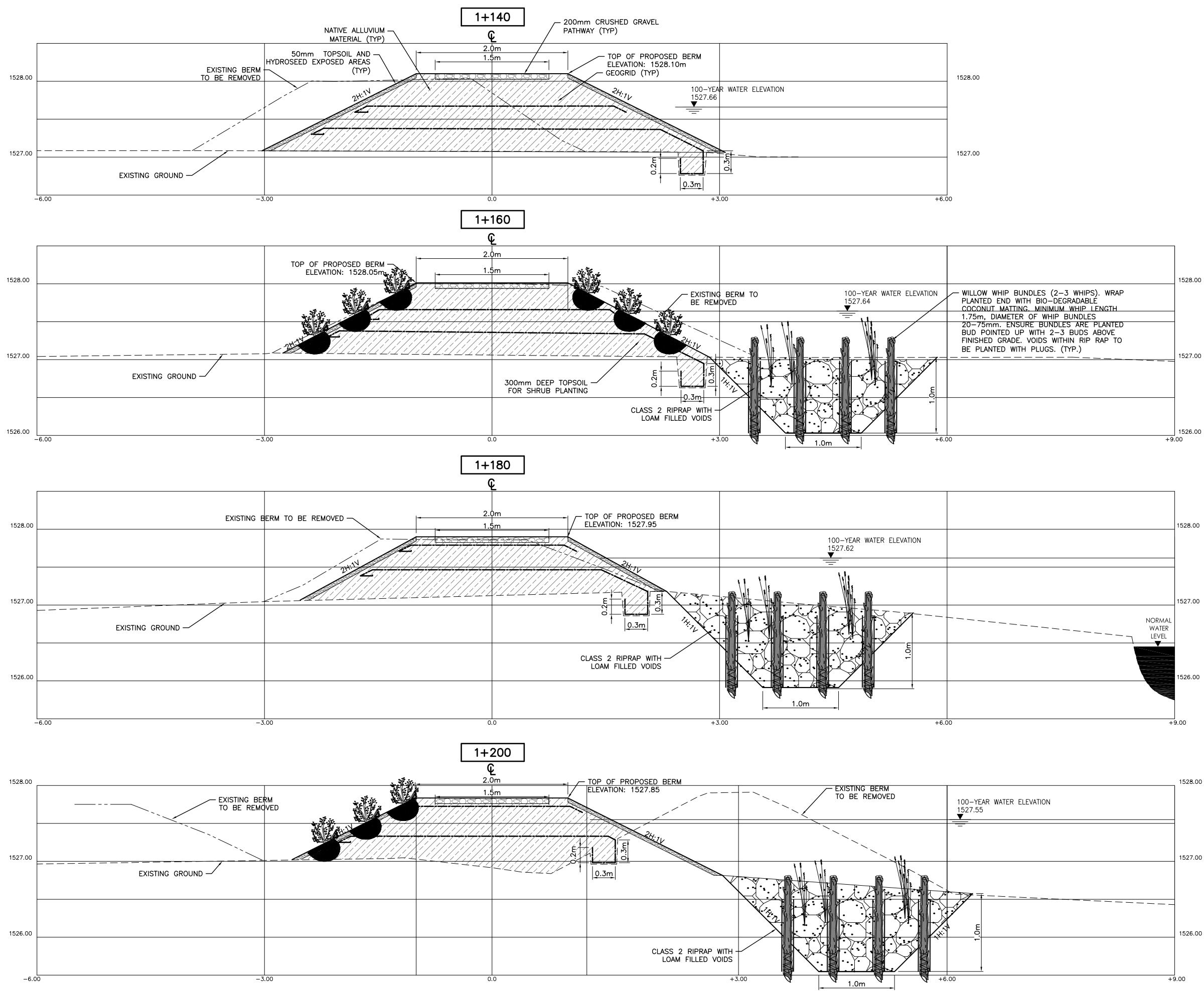
LAKE LOUISE CAMPGROUND
 BERM FLOOD CONTROL
 Lake Louise, AB, Canada

Title
 CIVIL
 PROPOSED BERM
 SECTIONS - SHEET 2 OF 3

Project No. 110773391
 Scale 1:25

Drawing No. 73391C-302
 Issue/Revision A / 0

ORIGINAL SHEET - AND 12 22 04
 I:\110773391\110773391.dwg
 2014/11/19 11:20 AM By: frosza, C:\Users\rosza



1. SURVEY COMPLETED BY STANTEC IN JULY 2014

ISSUED FOR TENDER/
 CONSTRUCTION
 2014 NOV 19

Revision	By	Appd.	YYYY.MM.DD
5			
4			
3			
2			
1			
E			
D			
C			
B			
A	FOR TENDER/CONSTRUCTION	CT MW	2014.11.19
Issued			

Client No.: 10942
 Client: CGrand MWood
 Dwn. Chkd. Dsgn. YYYYY.MM.DD

Permit/Seal
 APEGA PERMIT P0258
 SIGNED BY Francis Rosza
 2014 Nov 19
 AUTHENTICATED BY Matt Wood
 2014 Nov 19

Client/Project

 Parks Canada
 Parc Canada

LAKE LOUISE CAMPGROUND
 BERM FLOOD CONTROL
 Lake Louise, AB, Canada

Title
 CIVIL
 PROPOSED BERM
 SECTIONS - SHEET 3 OF 3

Project No. 110773391
 Scale 1:25
 Drawing No. 73391C-303
 Issue/Revision A / 0

