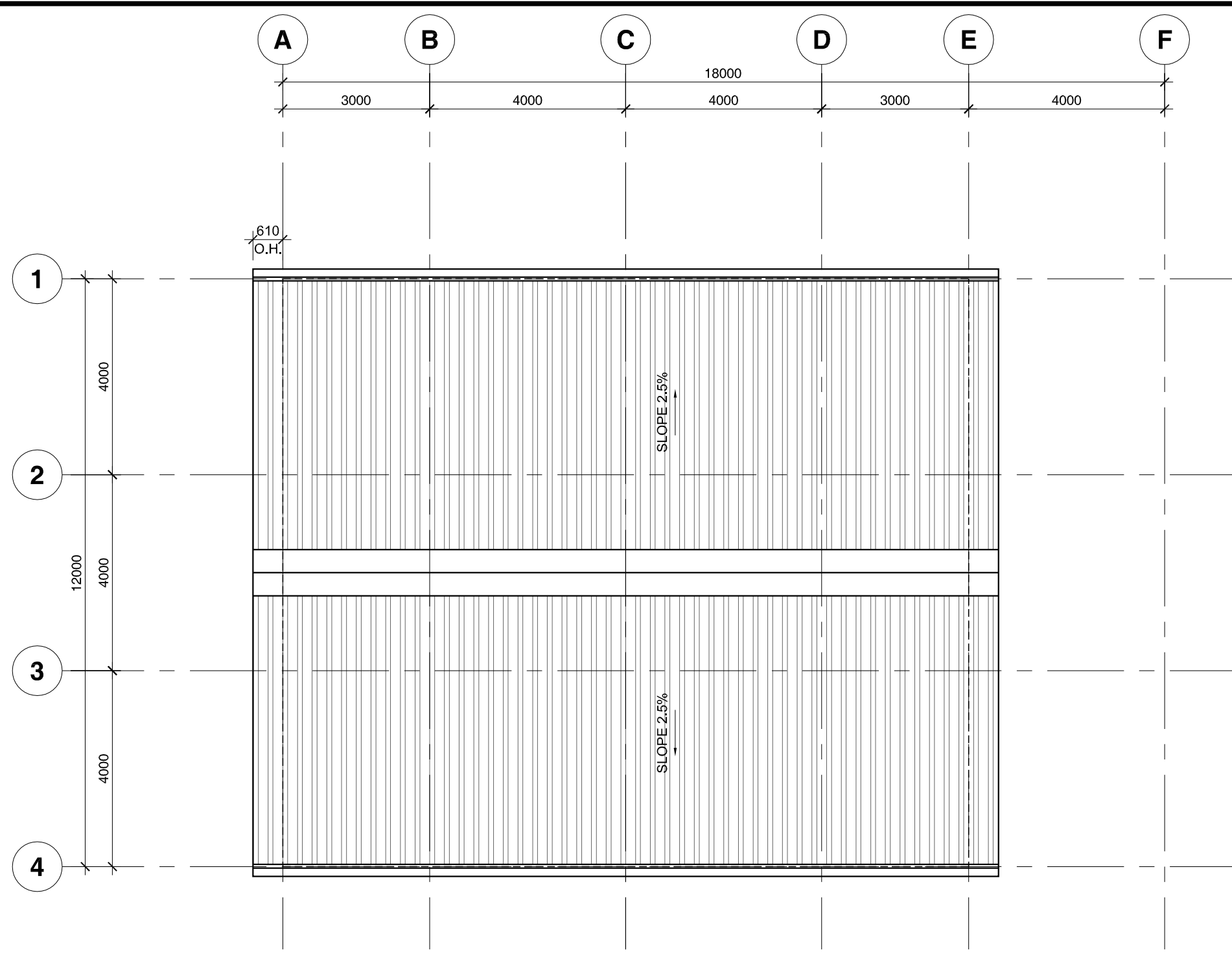


1 NEW CONSTRUCTION PLAN
A2 1:100



2 ROOF PLAN
A2 1:100

CONSTRUCTION PLAN LEGEND

P1 ASSEMBLIES TYPE - Refer to this sheet for construction

NEW DOOR & DOOR NUMBER

GENERAL NOTES:

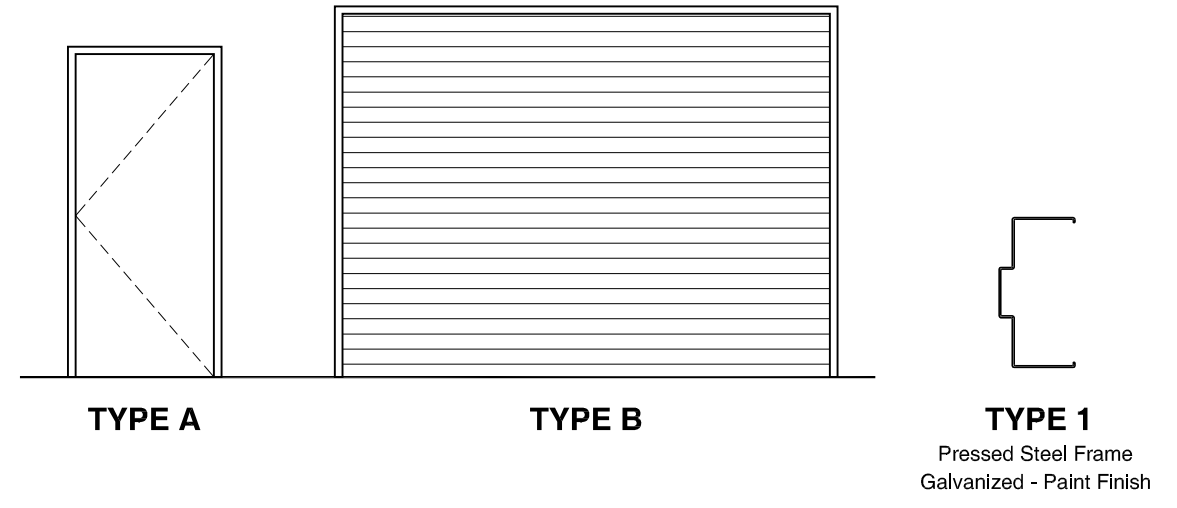
- CONTRACTOR TO SITE VERIFY EXISTING CONDITIONS PRIOR TO DEMOLITION, FABRICATION AND INSTALLATION OF NEW ITEMS OR CONSTRUCTION.
- CONTRACTOR TO COORDINATE MECHANICAL & ELECTRICAL REQUIREMENTS WITH NEW & DEMOLISHED WORK & EQUIPMENT.
- COORDINATE REMOVAL AND/OR RELOCATION OF EXISTING FURNITURE AND EQUIPMENT WITH DEPARTMENTAL REPRESENTATIVE.

CONSTRUCTION ASSEMBLIES

FL1 TYPICAL SLAB ON GRADE

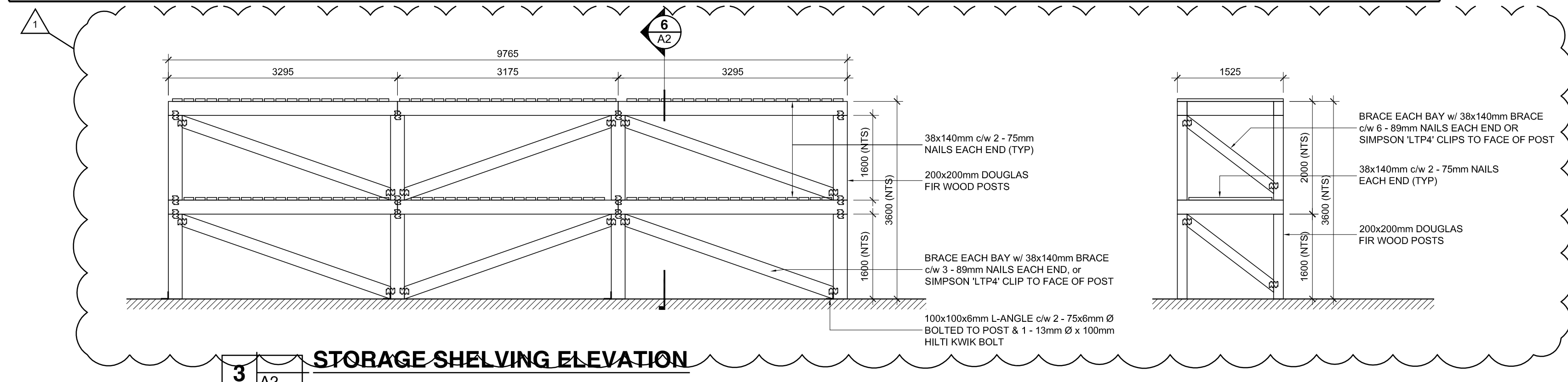
REINFORCED CONCRETE SLAB ON GRADE
10mm POLY VAPOUR BARRIER
6" COMPACTED GRAVEL FILL

DOOR SCHEDULE														FRAME					
DOOR NO.	ROOM NAME	WIDTH	HEIGHT	THICKNESS	TYPE	MATERIAL	FINISH	GLAZING	CLOSERS	LABEL	LOCKSET	DEADBOLT THUMB TURN	THRESHOLD	BUTT/HINGES	REMARKS	TYPE	MATERIAL	FINISH	LABEL
1	STORAGE SHED	915	2135	45	A	HM	PT		•		•				WEATHER STRIPPED	1	PS	PT	
2	STORAGE SHED	4000	4300	45	B	HM	PT								WEATHER STRIPPED, MOTORIZED COIL OVER-HEAD DOOR, INSULATED				
3	STORAGE SHED	4000	4300	45	B	HM	PT								WEATHER STRIPPED, MOTORIZED COIL OVER-HEAD DOOR, INSULATED				
4	STORAGE SHED	915	2135	45	A	HM	PT		•		•				WEATHER STRIPPED	1	PS	PT	

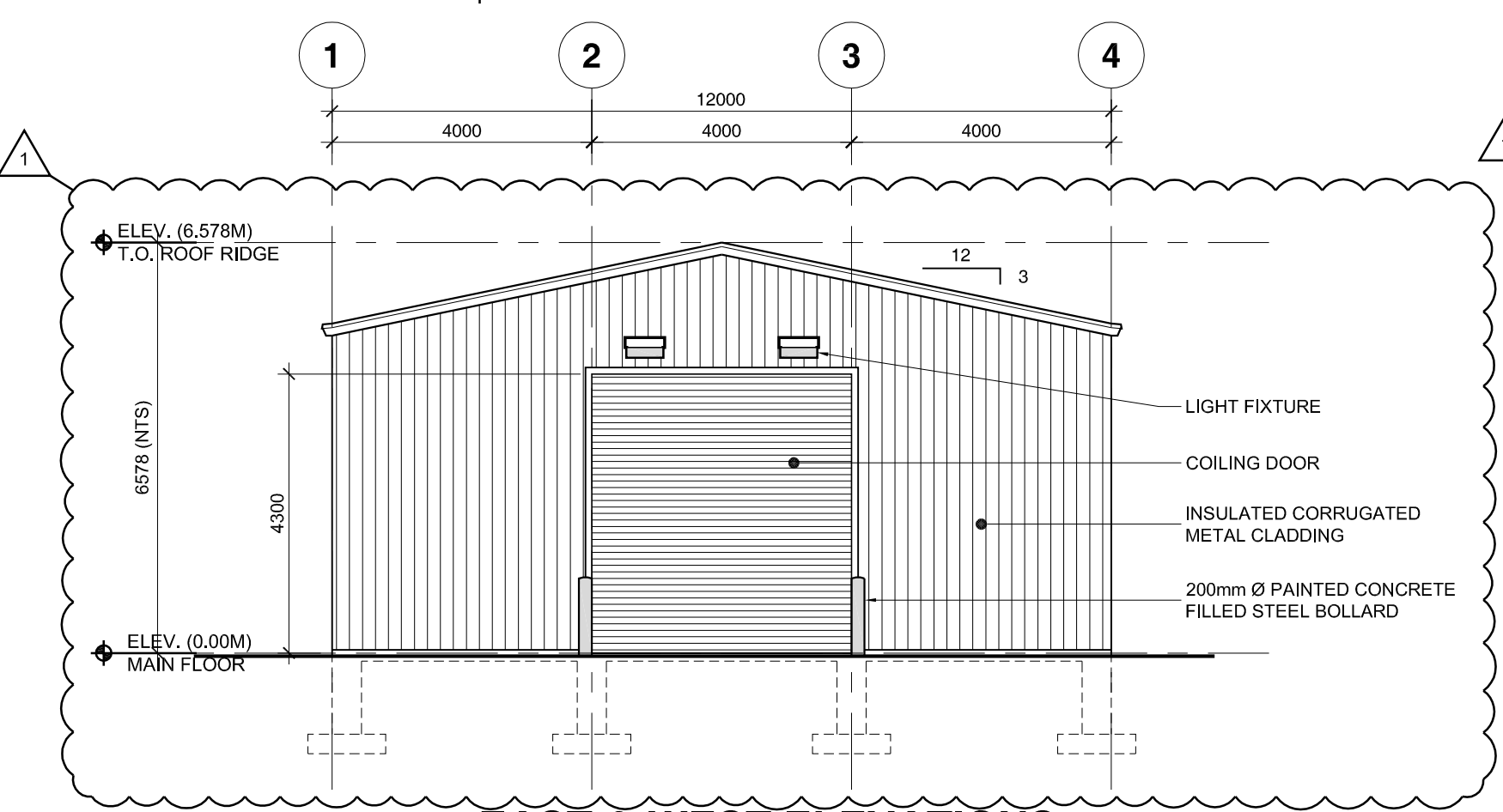


DOOR SCHEDULE NOTES

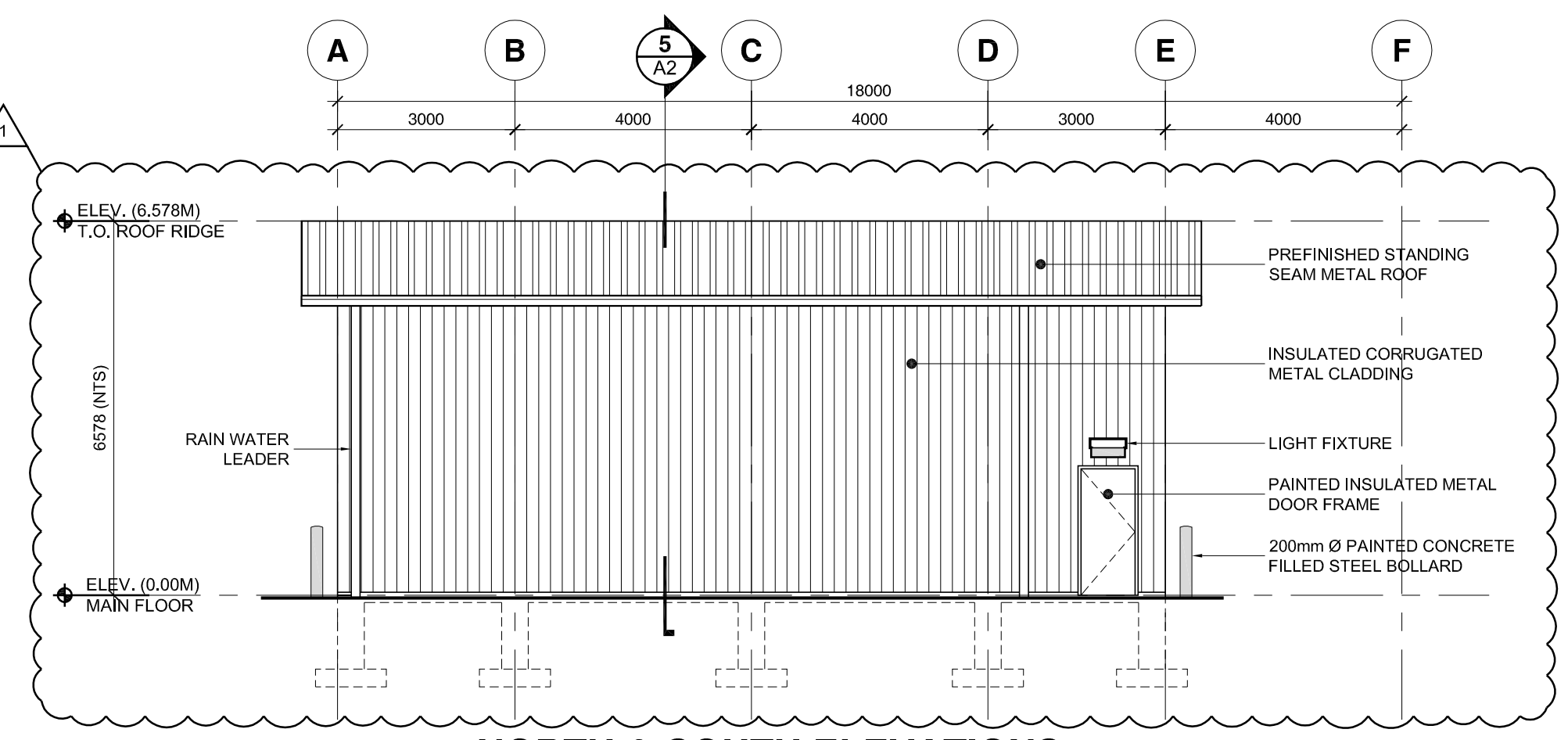
HM HOLLOW METAL
PT PAINT



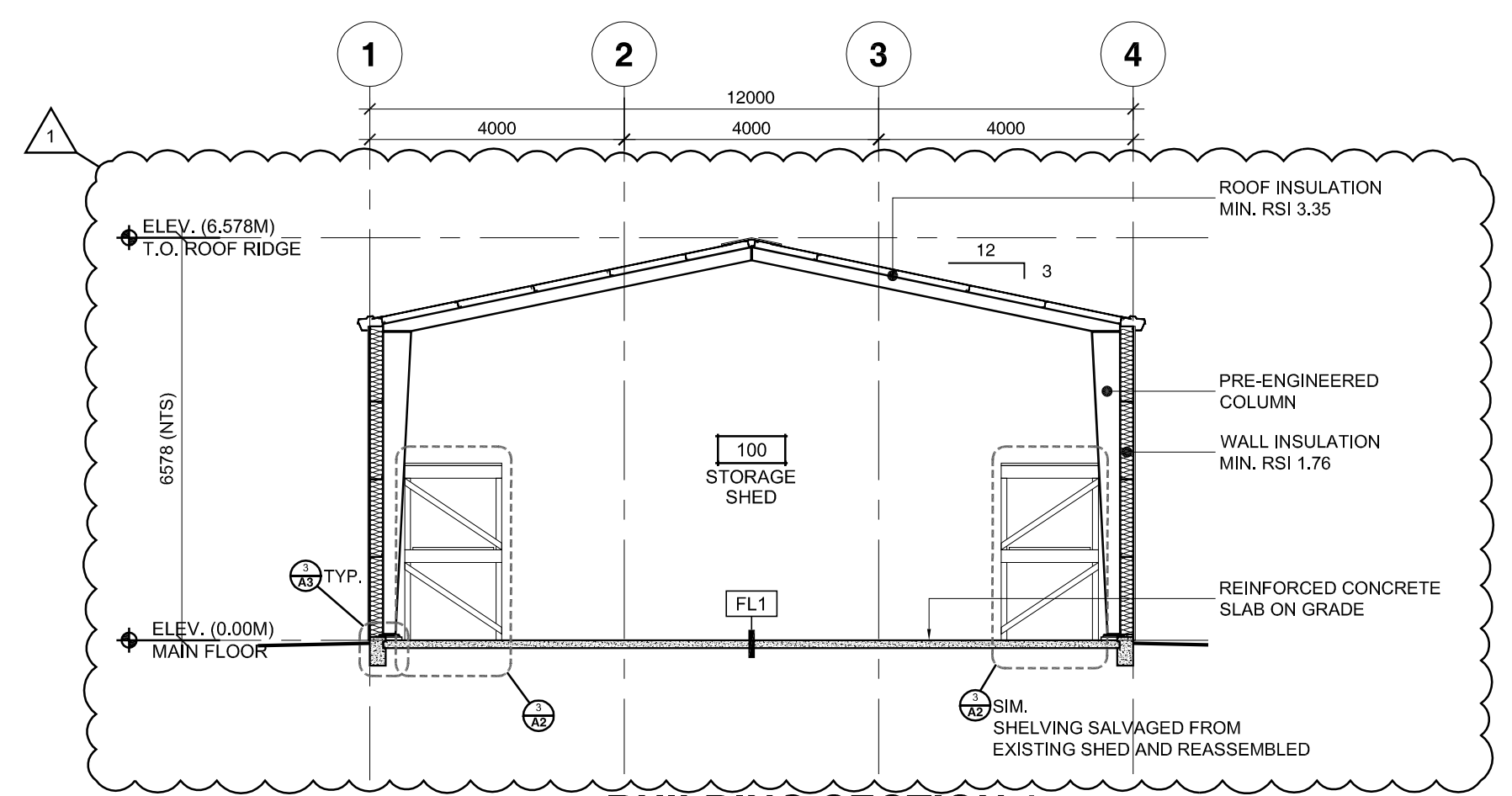
3 STORAGE SHELVING ELEVATION
A2 1:100



4 EAST & WEST ELEVATIONS
A2 1:100



5 NORTH & SOUTH ELEVATIONS
A2 1:100



6 BUILDING SECTION 1
A2 1:100

1	ADDENDUM 1	05 MAY 15
	ISSUED FOR TENDER	16 MAR 15
Revision/Revision	Description/Description	Date/Date
Client/client		
TRANSPORT CANADA		
Project title/Titre du projet		
SANDSPIT AIRPORT SAND SHED REPLACEMENT		
Consultant Signature Only		
Designed by/Concept par CR		
Drawn by/Dessiné par KL		
PWS&C Project Manager/Administrateur de Projets / PWS&C TOM DUNPHY		
Regional Manager, Architectural and Engineering Services Gestionnaire régional, Services d'architecture et de génie, TP&SC PREETIPAL PAUL		
Drawing title/Titre du dessin		
NEW CONSTRUCTION, ROOF PLAN, DOOR SCHEDULE, ELEVATIONS, AND BUILDING SECTION		
Project No./No. du projet	Sheet / Feuille	Revision no./La Révision no.
R.063974.001	A2	2

