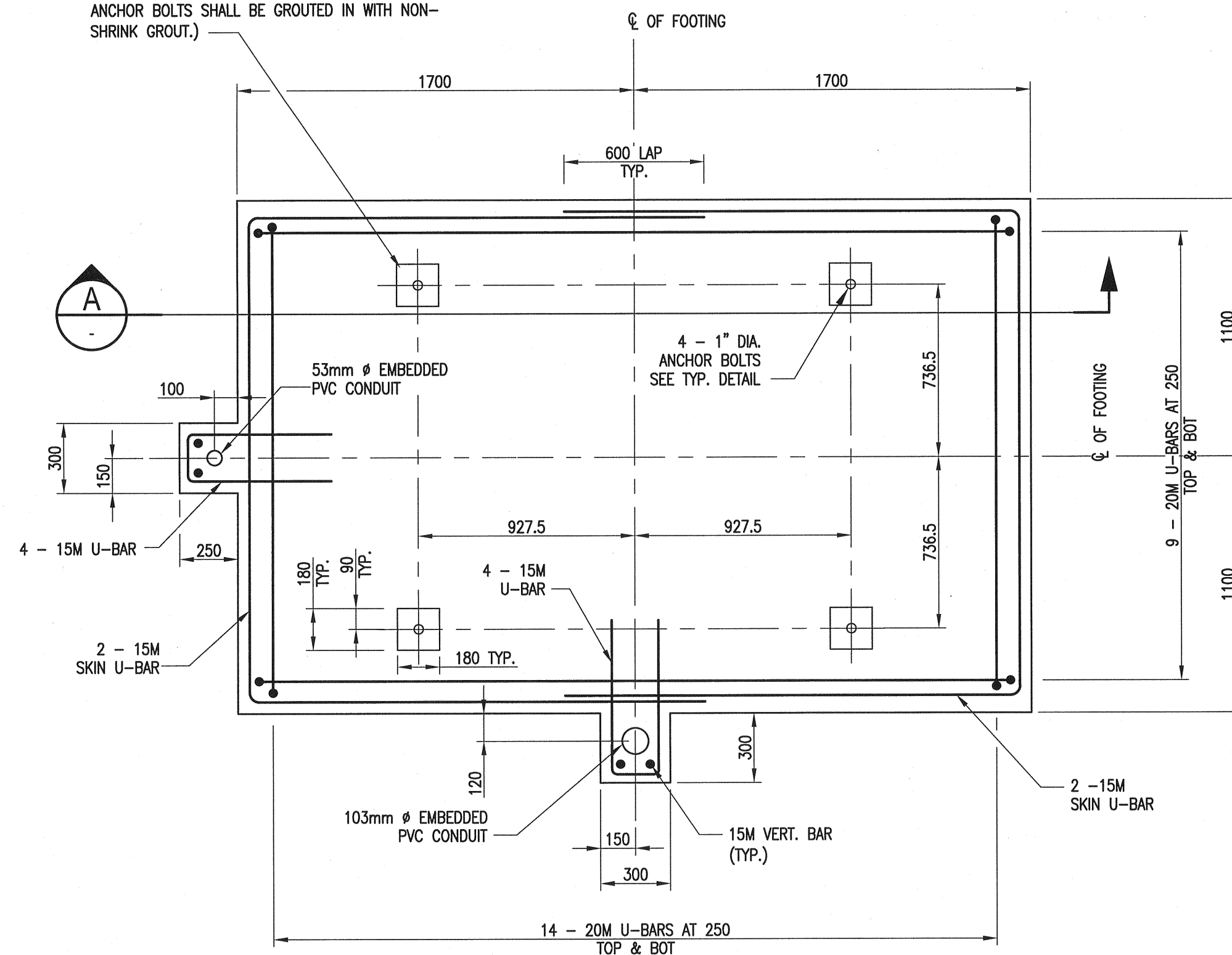


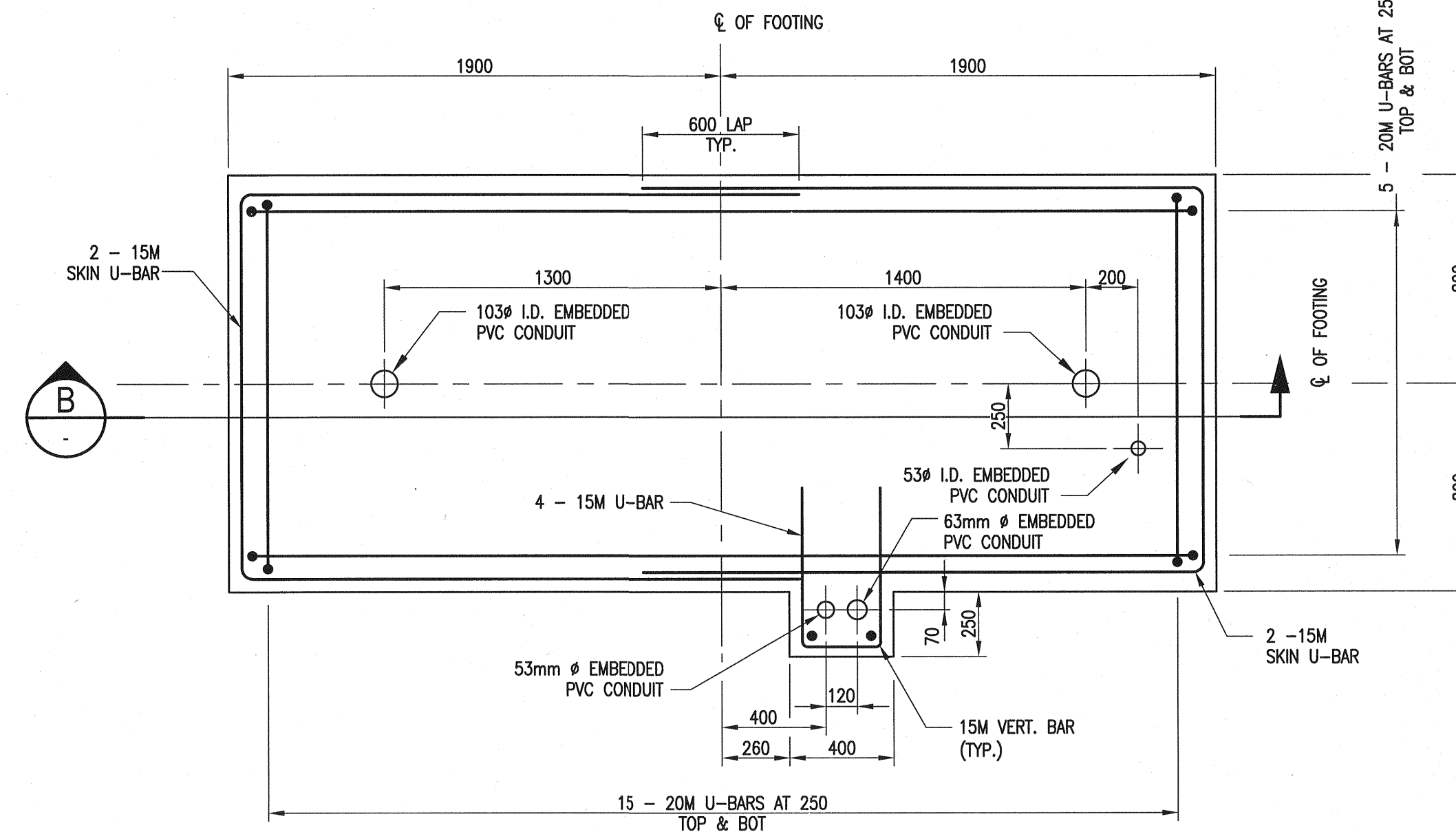
**NOTES:**

- FOR GENERAL NOTES, SEE DWG. 32-18-282.
- ALL DIMENSIONS ARE IN MILLIMETERS.

BLOCKOUTS FILLED WITH STYROFOAM BLOCK.  
(WORK TO BE CARRIED OUT AT A LATER DATE—  
STYROFOAM SHALL BE REMOVED PRIOR TO THE  
POSITIONING OF THE TRANSFORMER AND THE HOLES  
THOROUGHLY CLEANED AND DAMPENED. AFTER THE  
TRANSFORMER IS POSITIONED AND LEVELED, THE  
ANCHOR BOLTS SHALL BE GROUTED IN WITH NON-  
SHRINK GROUT.)

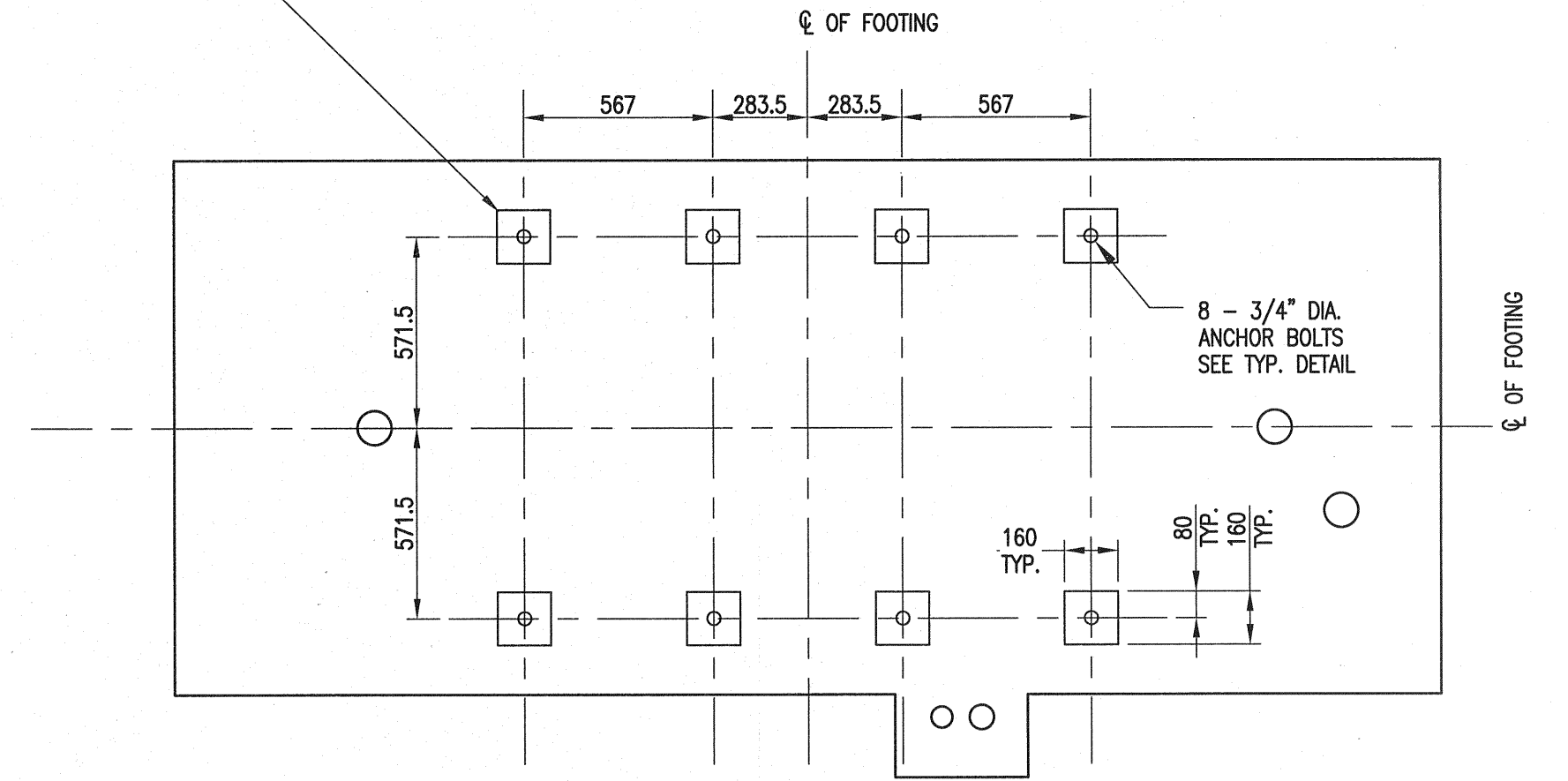


**PLAN**  
1:20

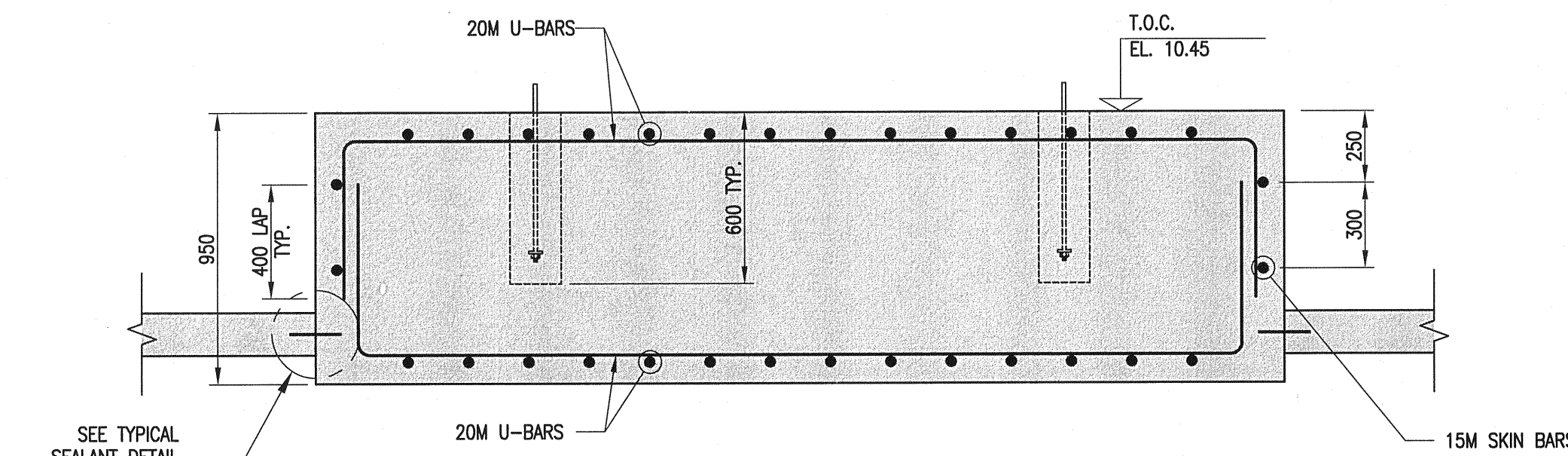


**PLAN**  
1:20

BLOCKOUTS FILLED WITH STYROFOAM BLOCK.  
(WORK TO BE CARRIED OUT AT A LATER DATE—  
STYROFOAM SHALL BE REMOVED PRIOR TO THE  
POSITIONING OF THE TRANSFORMER AND THE HOLES  
THOROUGHLY CLEANED AND DAMPENED. AFTER THE  
TRANSFORMER IS POSITIONED AND LEVELED, THE  
ANCHOR BOLTS SHALL BE GROUTED IN WITH NON-  
SHRINK GROUT.)

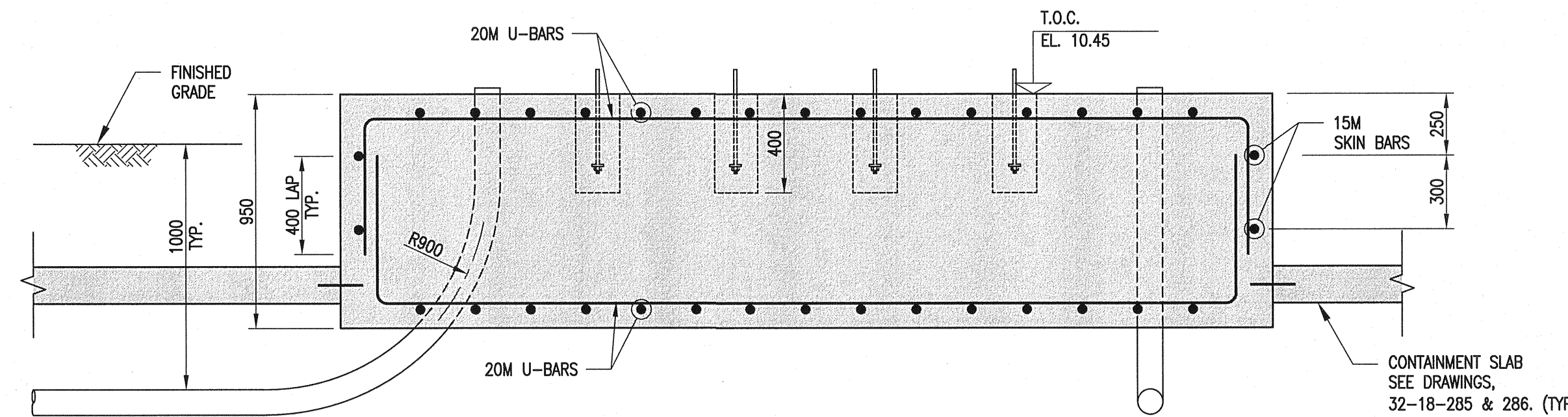


**ANCHOR BOLTS LAYOUT**  
1:20



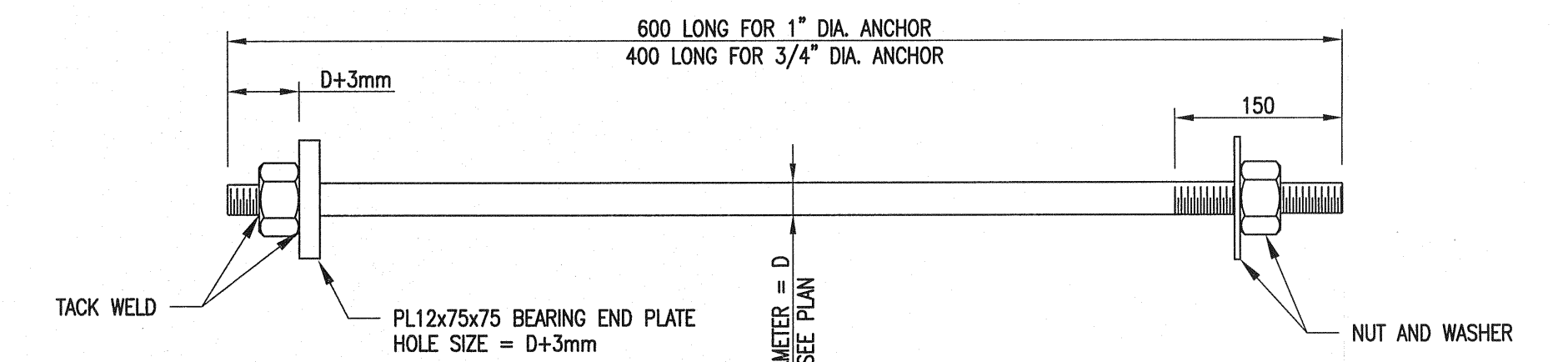
**SECTION A-A**  
1:20

**4MVA TRANSFORMER (T1) FOOTING**

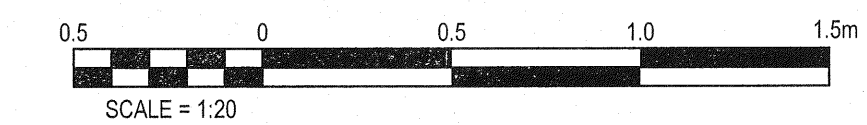


**SECTION B-B**  
1:20

**500kVA TRANSFORMER (T2) FOOTING**



**ANCHOR BOLT TYPICAL DETAIL**  
N.T.S.



**ISSUED FOR  
TENDER ONLY**

**PRELIMINARY**

PROFESSIONAL  
ENGINEER  
M. MOUSAVI-JARRAHI  
# 33415  
May 25, 15

ENGINEERING CONSULTANT  
**Ausenco**  
PROJECT / DRAWING NO: 101101-02-0000-S-104

**FISHERIES AND OCEANS CANADA**  
REAL PROPERTY AND TECHNICAL SUPPORT

<b>CONUMA RIVER HATCHERY</b>		SCALE
CONTRACT NO. F1700-150694		AS SHOWN
TRANSFORMER FOOTINGS		DATE
DETAILS		APRIL 2015
		DRAWING NUMBER
		32-18-287
		REVISION
		0

DWG. NO.	DRAWING REFERENCES	NOTES	NO.	DATE	REVISIONS	DESIGNED M. MOUSAVI
32-18-285	FOUNDATION AND OIL CONTAINMENT SYSTEM LAYOUT PLAN		0	MAY 25/2015	ISSUED FOR TENDER	DRAWN K. LIN
						CHECKED —
						RECOMMENDED
						APPROVED J. LOPEZ
						APPROVED