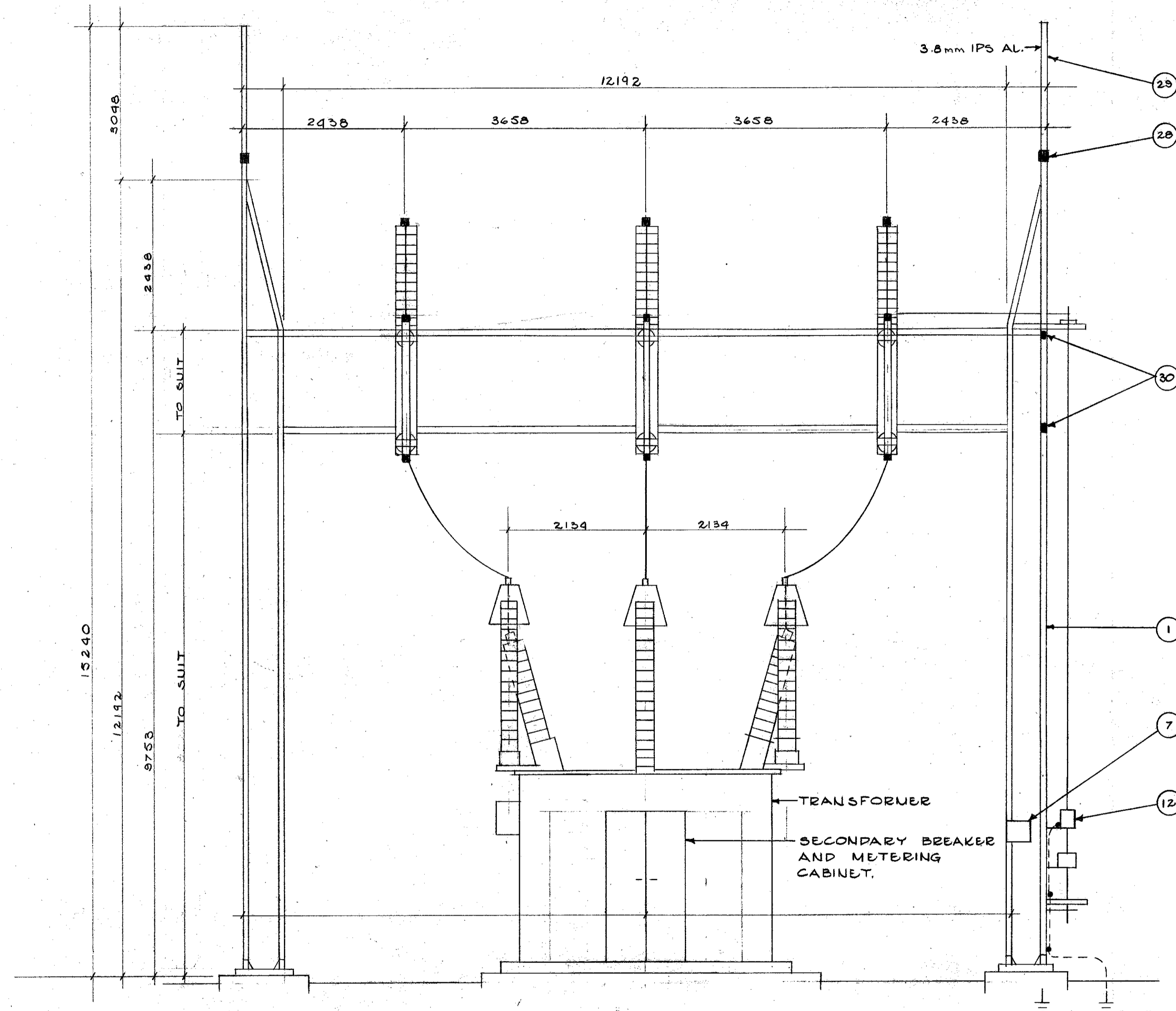
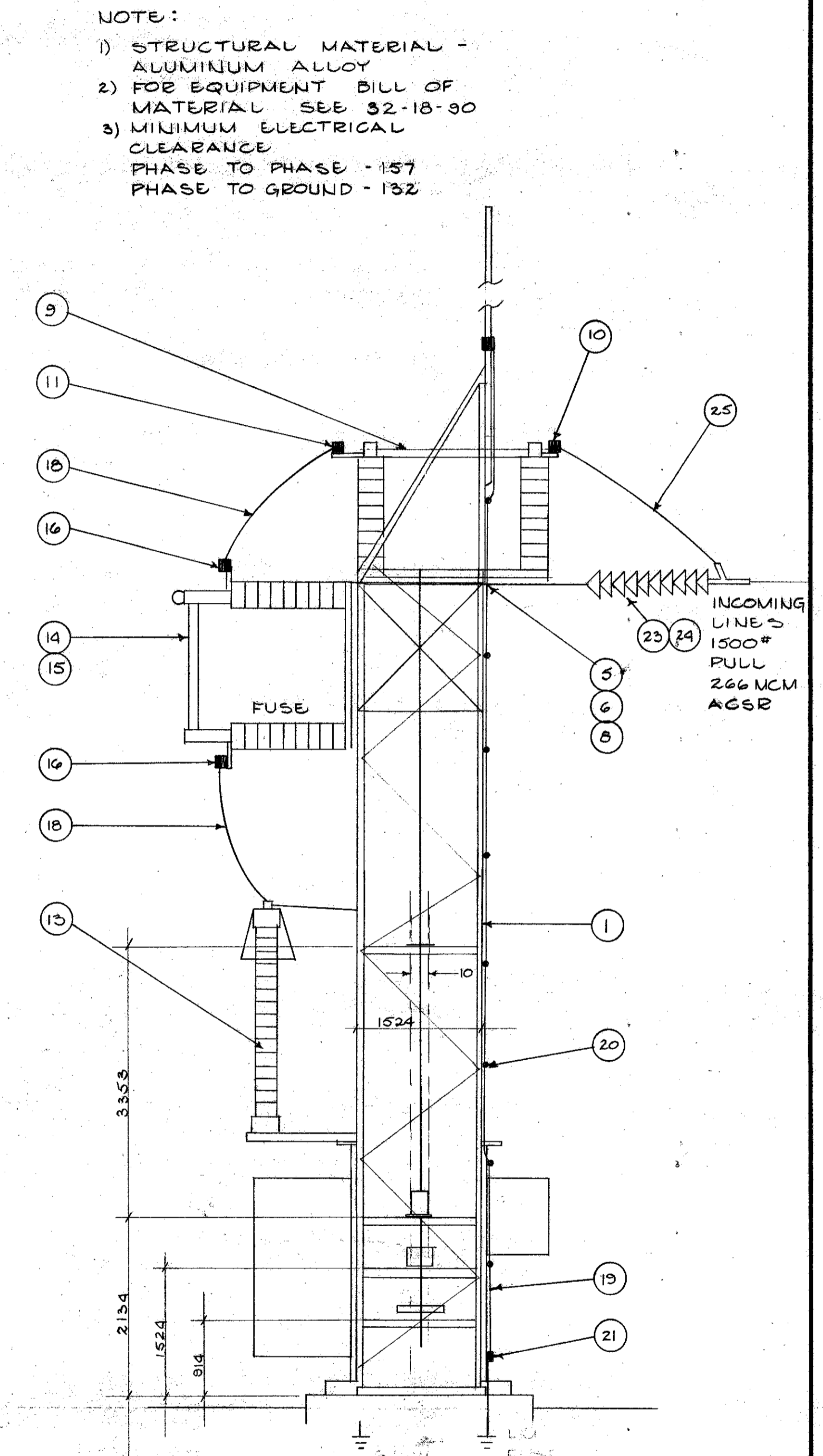


SECTION A-A



SECTION B-B



SECTION C-C

EMCO ENGINEERING LTD.

DEPARTMENT OF FISHERIES AND OCEANS SALMONID ENHANCEMENT PROGRAM		DESIGNED R.R.	SCALE 1/4" = 1'-0"
		DRAWN E.R.	DATE OCT. 1979
CONUMA RIVER HATCHERY CONTRACT NO. 3 138 K.V. SUBSTATION SECTIONS		CHECKED R.R.	DRAWING NUMBER 32-18-92
		RECOMMENDED	REVISION
DWG. NO. REFERENCE DRAWINGS		APPROVED	NO. DATE REVISIONS

SCL 02081 - D.F.O.