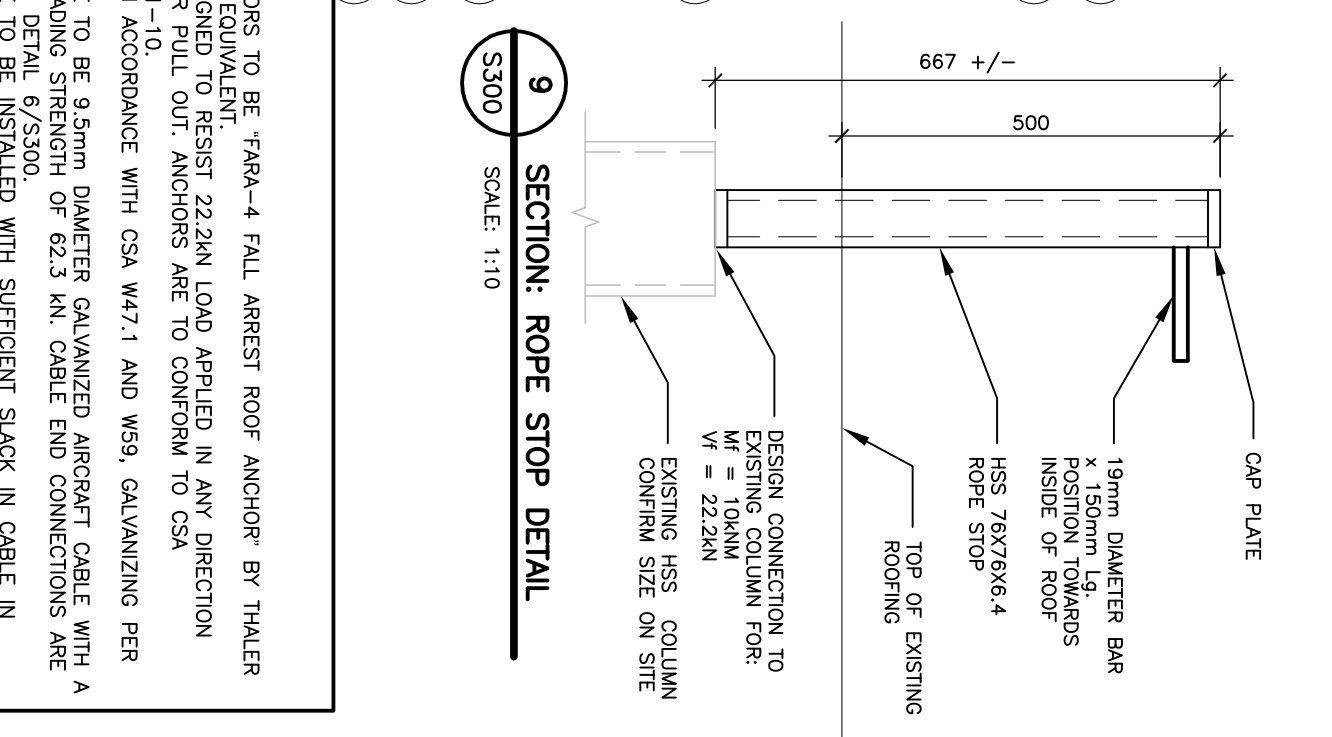
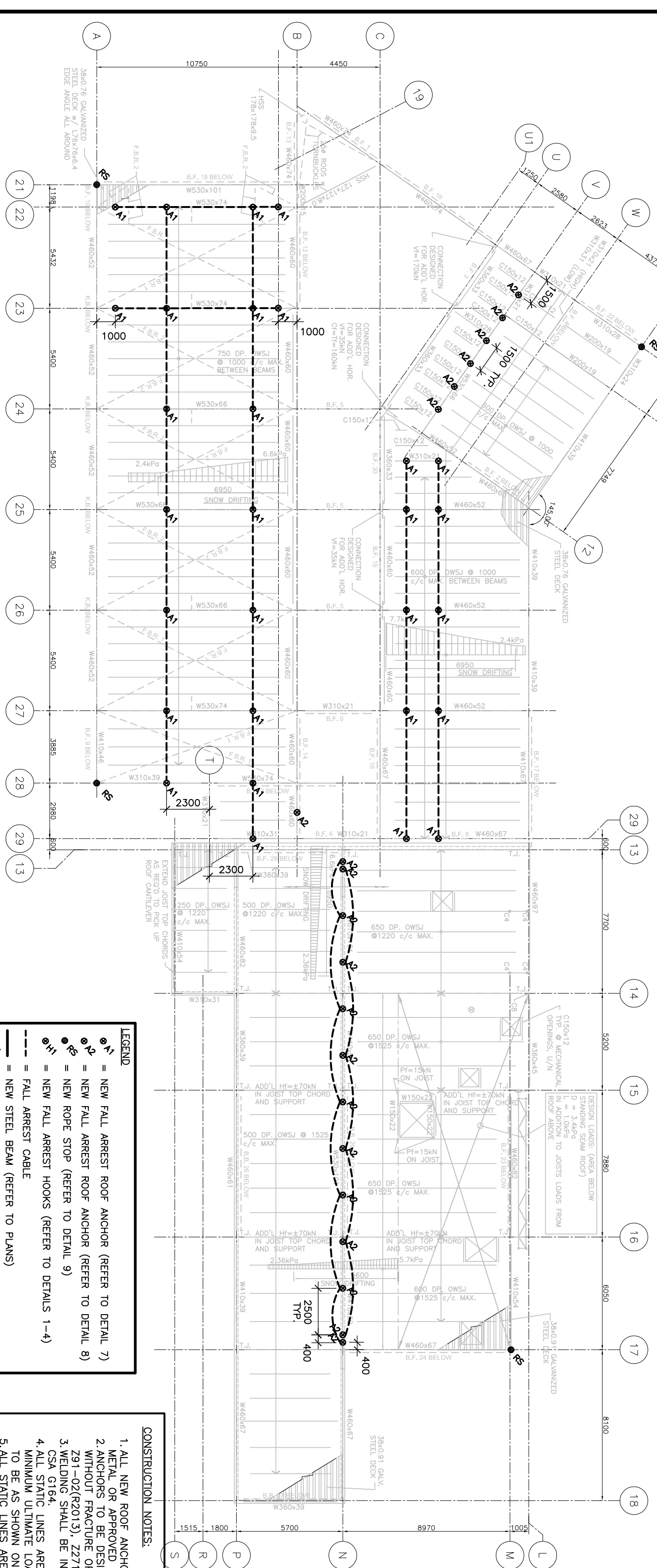


5 SECTION: TYPICAL CABLE SLACK DETAIL  
S300 SCALE: NTS

6 DETAIL: CABLE CONNECTION  
S300 SCALE: NTS

8 DETAIL: FALL ARREST ROOF ANCHOR A1  
S300 SCALE: 1:10



**LEGEND**

- = NEW FALL ARREST ROOF ANCHOR (REFER TO DETAIL 7)
- = NEW FALL ARREST ROOF ANCHOR (REFER TO DETAIL 8)
- = NEW ROPE STOP (REFER TO DETAIL 9)
- = NEW FALL ARREST HOOKS (REFER TO DETAILS 1-4)
- = FALL ARREST CABLE
- = NEW STEEL BEAM (REFER TO PLANS)
- = NEW HSS 152x152x6.4 STUB COLUMN

**CONSTRUCTION NOTES:**

1. ALL NEW FALL ARREST ROOF ANCHORS TO BE FARA-4 FALL ARREST ROOF ANCHOR BY THALER METAL OR APPROVED EQUIVALENT.
2. ANCHORS TO BE DESIGNED TO RESIST 22.2kN LOAD APPLIED IN ANY DIRECTION WITHOUT FRACTURE OR PULL OUT. ANCHORS ARE TO CONFORM TO CSA Z91-02(R2013), Z271-10.
3. WELDING SHALL BE IN ACCORDANCE WITH CSA W47.1 AND W59, GALVANIZING PER CSA G184.
4. ALL STATIC LINES ARE TO BE 9.5mm DIAMETER GALVANIZED AIRCRAFT CABLE WITH A MINIMUM ULTIMATE TENSILE STRENGTH OF 62.3 kN. CABLE END CONNECTIONS ARE TO BE AS SHOWN ON DETAIL 6/S300.
5. ALL STATIC LINES ARE TO BE INSTALLED WITH SUFFICIENT SLACK IN CABLE IN ORDER TO ACHIEVE A 30 DEGREE ANGLE FROM THE HORIZONTAL WHEN PULLED FROM THE MIDPOINT OF THE CABLE. REFER TO DETAIL 5/S300.
6. CONTRACTOR IS TO PERFORM LOAD TESTING OF ALL NEWLY INSTALLED ROOF ANCHORS AFTER THE INSTALLATION IN ACCORDANCE WITH CSA Z91-HEALTH AND SAFETY CODE FOR SUSPENDED EQUIPMENT OPERATION.
7. PROVIDE SHOP DRAWINGS, STAMPED BY A PROFESSIONAL ENGINEER LICENSED IN ONTARIO, SHOWING THE ANCHOR DETAILS PRIOR TO INSTALLATION.

The Contractor shall check and verify all dimensions on site. Do not scale drawings. Copyright reserved. This drawing is the exclusive property of Cleland Jardine Engineering Ltd.

**CLELAND JARDINE ENGINEERING LIMITED**  
560 TERRY FOX DRIVE, SUITE 200  
KAMATHA, ONTARIO, K2L 4B8  
TEL: 905.882.4533 FAX: 905.881-1793  
C/O: 132-9884

**PROJECT:**  
10ALUIT RCMP BUILDING  
FALL ARREST ANCHORS

**DRAWING:**  
PARTIAL PLANS, GENERAL NOTES & DETAILS

**DESIGNER:** M.E.  
**DATE:** MAY 29/2015  
**SCALE:** AS INDICATED  
**PRODUCT NO.:** 1004305

**S300**

No.	DATE	REVISIONS	BY	ME
1	JUN 01/15	ISSUED FOR REVIEW	ME	
2	JUN 10/15	ISSUED FOR TENDER	ME	

STAMP