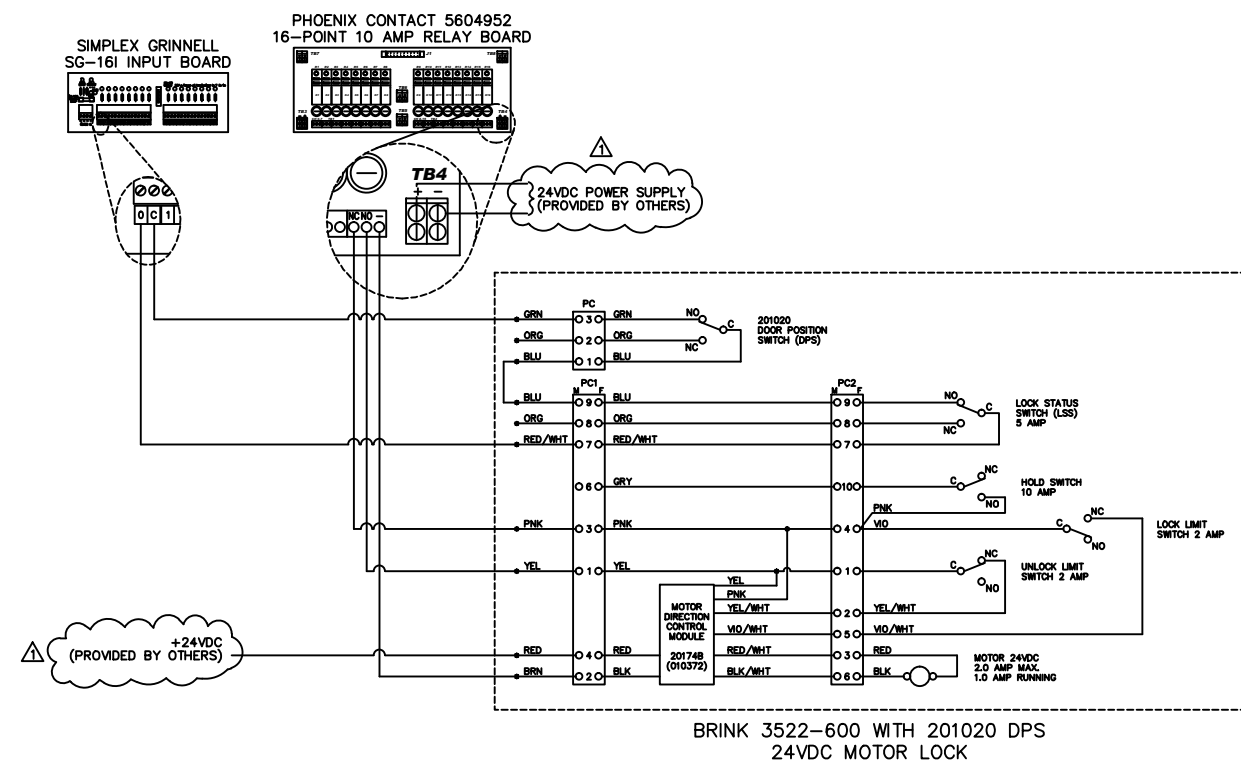
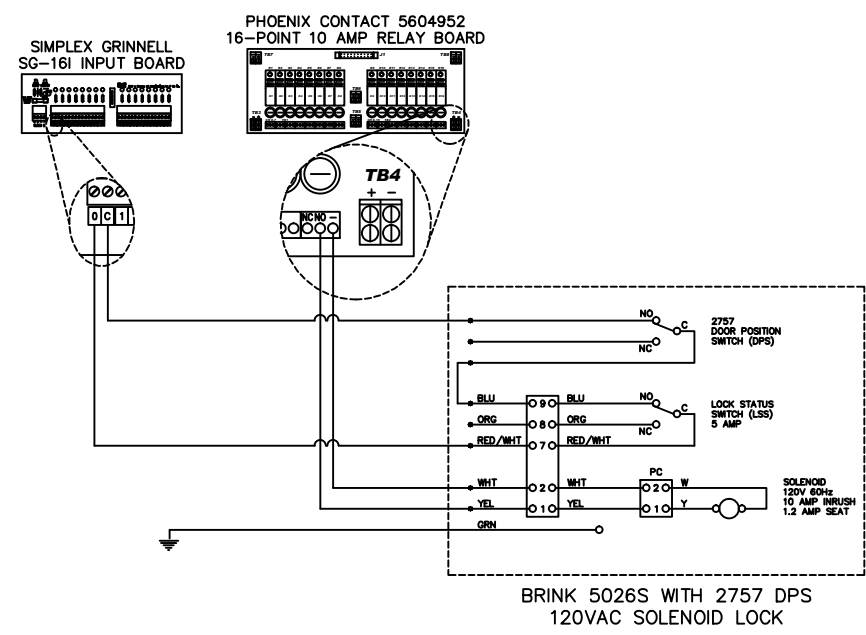


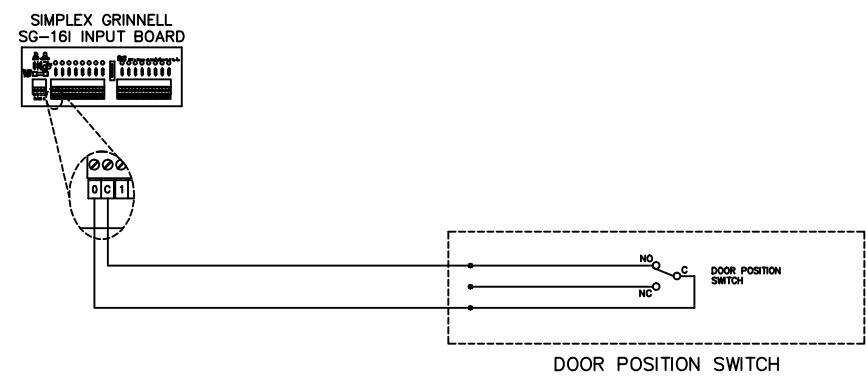
BRINK 5026M WITH 201020 DPS
24VDC MOTOR LOCK



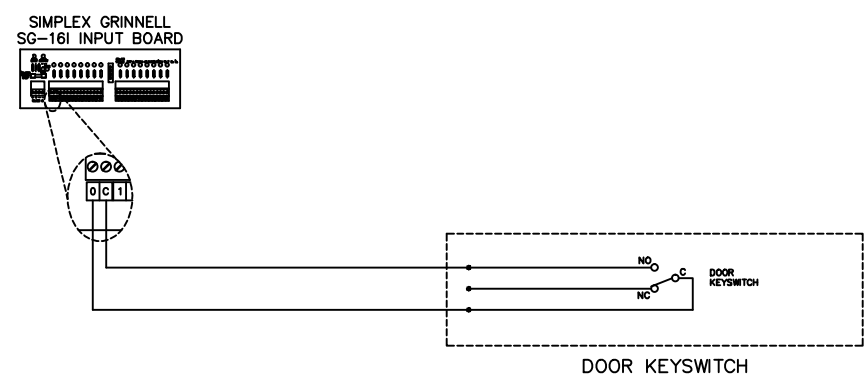
BRINK 3522-600 WITH 201020 DPS
24VDC MOTOR LOCK



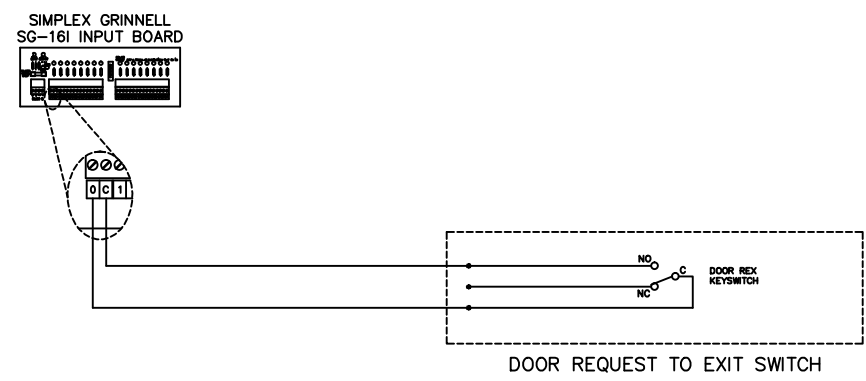
BRINK 5026S WITH 2757 DPS
120VAC SOLENOID LOCK



DOOR POSITION SWITCH



DOOR KEYSWITCH



DOOR REQUEST TO EXIT SWITCH

- GENERAL NOTES:**
1. ALL DOORS SHOWN IN THE CLOSED AND LOCKED POSITION.
 2. SEE DRAWING 7.1, 7.2, & 7.3 FOR HEADEND TERMINATION POINTS FOR EACH DOOR.

tyco		Fire & Security / SimplexGrinnell	
		600 WINDMILL ROAD UNIT G DARTMOUTH, NS B3B 1B5 (902) 468-9100	
NO.	DATE	REVISION DESCRIPTION	
1	6/21/06	REVISED PER MISC CHANGES, RETURNED SUBMITTAL, & RFT'S	
2	1/17/07	ASBUILT REVISIONS	
DRAWN BY:		DATE:	
KP		2/10/06	
DESIGNED BY:		DATE:	
CH		2/10/06	
APPROVED BY:		DATE:	
CH		2/10/06	
PROJECT NUMBER:			
SHEET TITLE: LOCKING CONTROL PERIPHERAL WIRING DETAILS			
SHEET NUMBER: 7.4			
LOCKING CONTROL PERIPHERAL WIRING DETAILS UNITS A & B SPRINGHILL INSTITUTION REDEVELOPMENT PHASE II SPRINGHILL, NOVA SCOTIA			