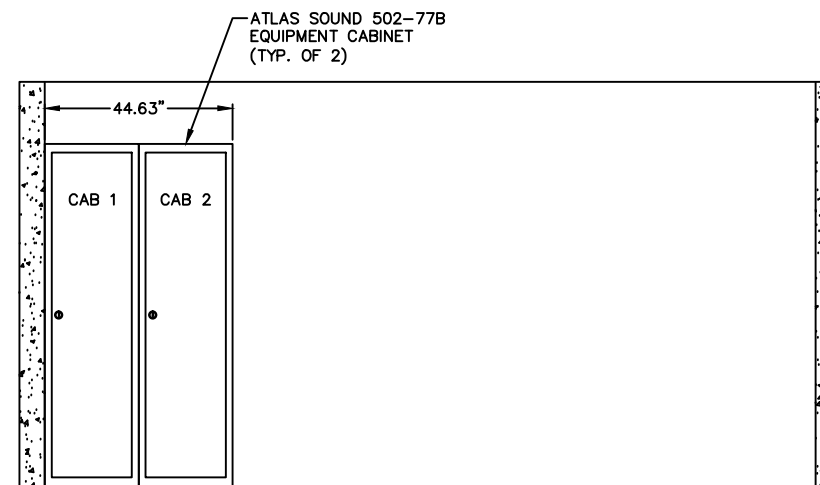
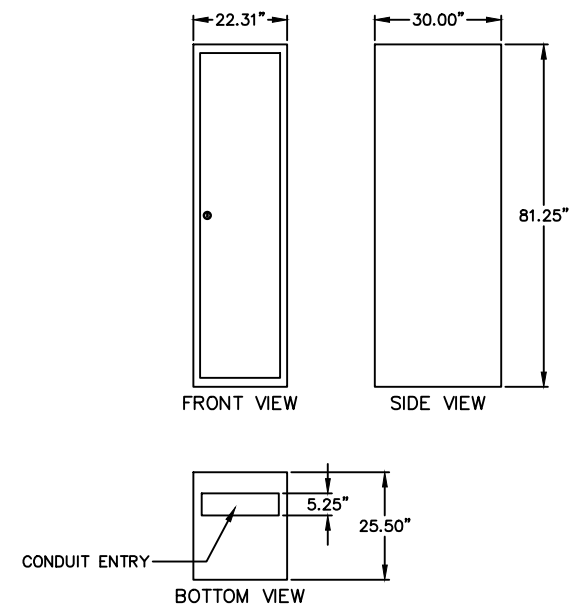


COMMUNICATION ROOM 303
NTS



ELEVATION VIEW A
NTS



CABINET DETAIL
NTS

GENERAL NOTES:

- EQUIPMENT LOCATIONS SUBJECT TO CHANGE BASED ON SITE CONDITIONS AND OWNER APPROVAL.

tyco		Fire & Security / SimplexGrinnell	
600 WINDMILL ROAD		UNIT G	
DARTMOUTH, NS B3B 1B5		(902) 468-9100	
ALL RIGHTS RESERVED			
NO.	DATE	REVISION DESCRIPTION	
COMMUNICATION ROOM 303 EQUIPMENT ROOM LAYOUT UNITS A & B		SPRINGHILL INSTITUTION REDEVELOPMENT PHASE II SPRINGHILL, NOVA SCOTIA	
DRAWN BY:	DATE:		
KP	2/10/06		
DESIGNED BY:	DATE:		
CH	2/10/06		
APPROVED BY:	DATE:		
CH	2/10/06		
PROJECT NUMBER:			
SHEET TITLE:			
COMMUNICATION ROOM 303 EQUIP. RM LAYOUT			
SHEET NUMBER:			
5.1			