

DRAWING LIST:

DWG# DRAWING TITLE

GENERAL

BE-0.01 DRAWING INDEX
ROOF SCHEDULE

PLANS & ELEVATIONS

BE-1.01 ROOF PLAN

ROOF DETAILS

BE-2.01 ROOF RIDGE
ROOF EAVES

BE-2.02 ROOF EDGE

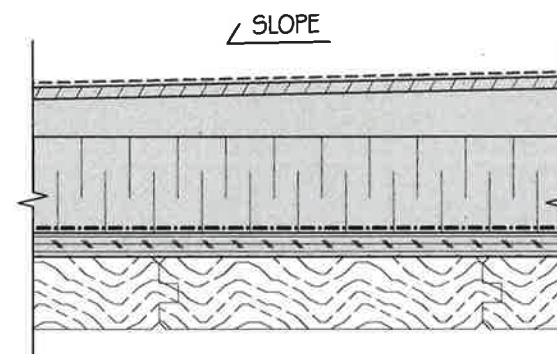
BE-2.03 CURBED ROOF VENT

BE-2.04 ROOF @ BACK WALL
PLUMBING STACK @ PITCHED ROOF

BE-2.05 ROOF PARAPET
SCUPPER

BE-2.06 BASE OF WALL @ ROOF
PLUMBING STACK @ LOW-SLOPE ROOF

ROOF SCHEDULE:

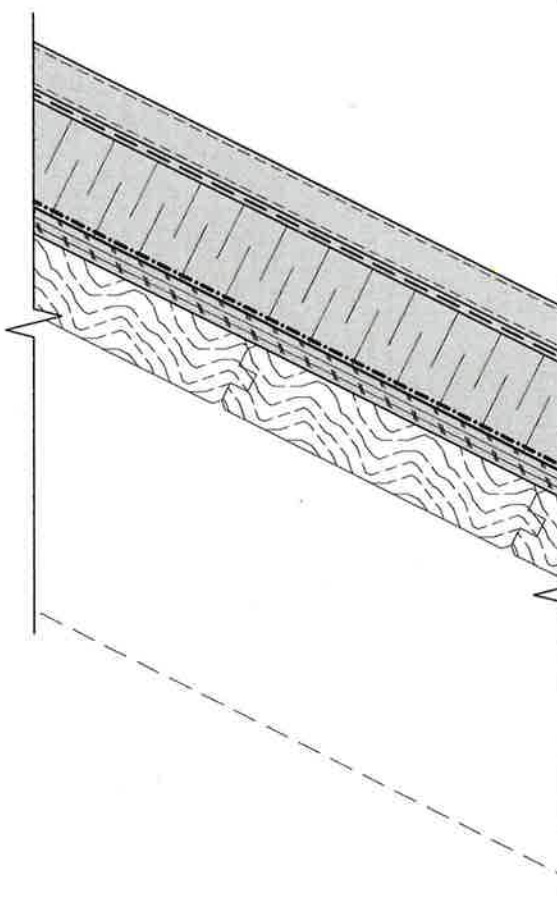


R1

LOW-SLOPE ROOF

SCALE: 3"=1'-0"

NEW TPO MEMBRANE
NEW GYPSUM OVERLAY BOARD
NEW CRICKETS (MIN 2% SLOPE AS REQUIRED)
NEW FLAT STOCK POLYISO INSULATION
NEW SA AIR/VAPOUR BARRIER
NEW PLYWOOD SHEATHING
EXISTING WOOD DECKING
EXISTING WOOD STRUCTURE (SLOPED)



R2

PITCHED METAL ROOF

SCALE: 3"=1'-0"

NEW STANDING SEAM METAL PANEL
NEW SYNTHETIC UNDERLAYMENT
NEW POLYISO INSULATION
NEW SA MEMBRANE
NEW PLYWOOD SHEATHING
EXISTING WOOD DECKING
EXISTING WOOD STRUCTURE



2	TENDER	05/26/15
1	CLIENT REVIEW	05/01/15
No.	ISSUE / REVISION	DATE

NOT TO BE USED FOR CONSTRUCTION

ALL RIGHTS RESERVED, PROPERTY OF JRS ENGINEERING GROUP, USE OR REPRODUCTION PROHIBITED WITHOUT PRIOR WRITTEN PERMISSION.

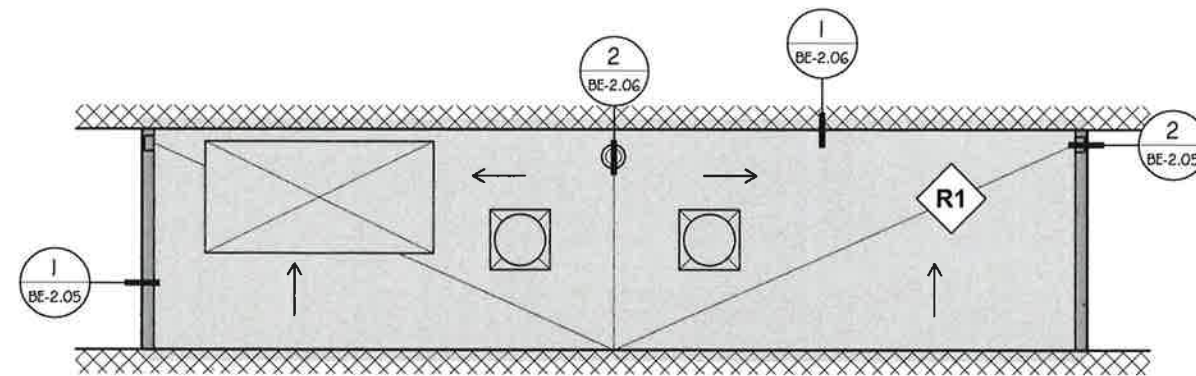
BUILDING 27

GRANVILLE ISLAND, VANCOUVER, BC

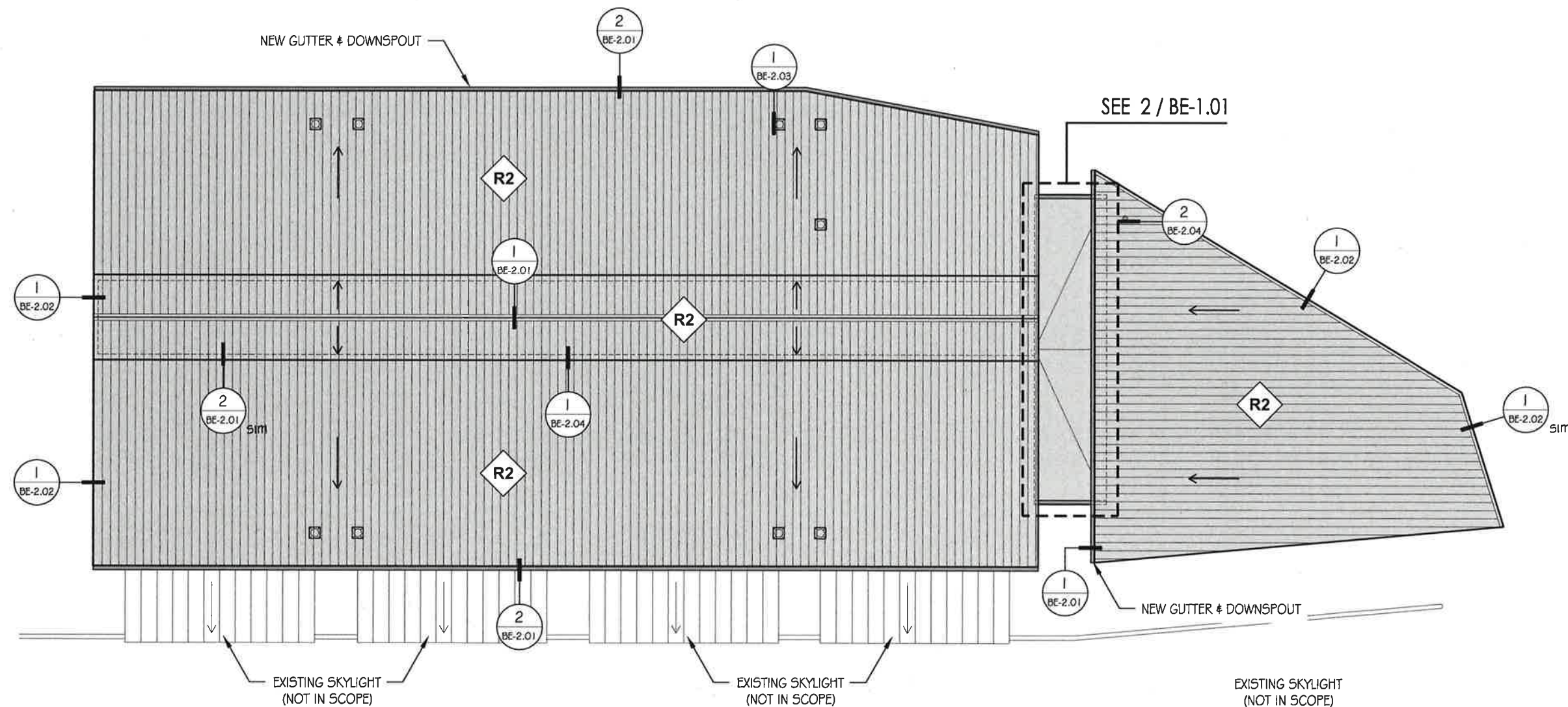
ROOF REPLACEMENT

DRAWING LIST / ROOF SCHEDULE

DATE:	MAR	DRAWING No:
SCALE:	AS NOTED	BE-0.01
DESIGNED:	JJ	
DRAWN:	KW	PROJECT No:
REVIEWED:	JJ	VR15067



2 LOW-SLOPE ROOF PLAN
SCALE: 1/8"=1'-0"



1 PITCHED ROOF PLAN
SCALE: 1/16"=1'-0"



2	TENDER	05/26/15
1	CLIENT REVIEW	05/01/15
No.	ISSUE / REVISION	DATE

NOT TO BE USED FOR CONSTRUCTION

ALL RIGHTS RESERVED, PROPERTY OF JRS ENGINEERING GROUP. USE OR REPRODUCTION PROHIBITED WITHOUT PRIOR WRITTEN PERMISSION.

BUILDING 27

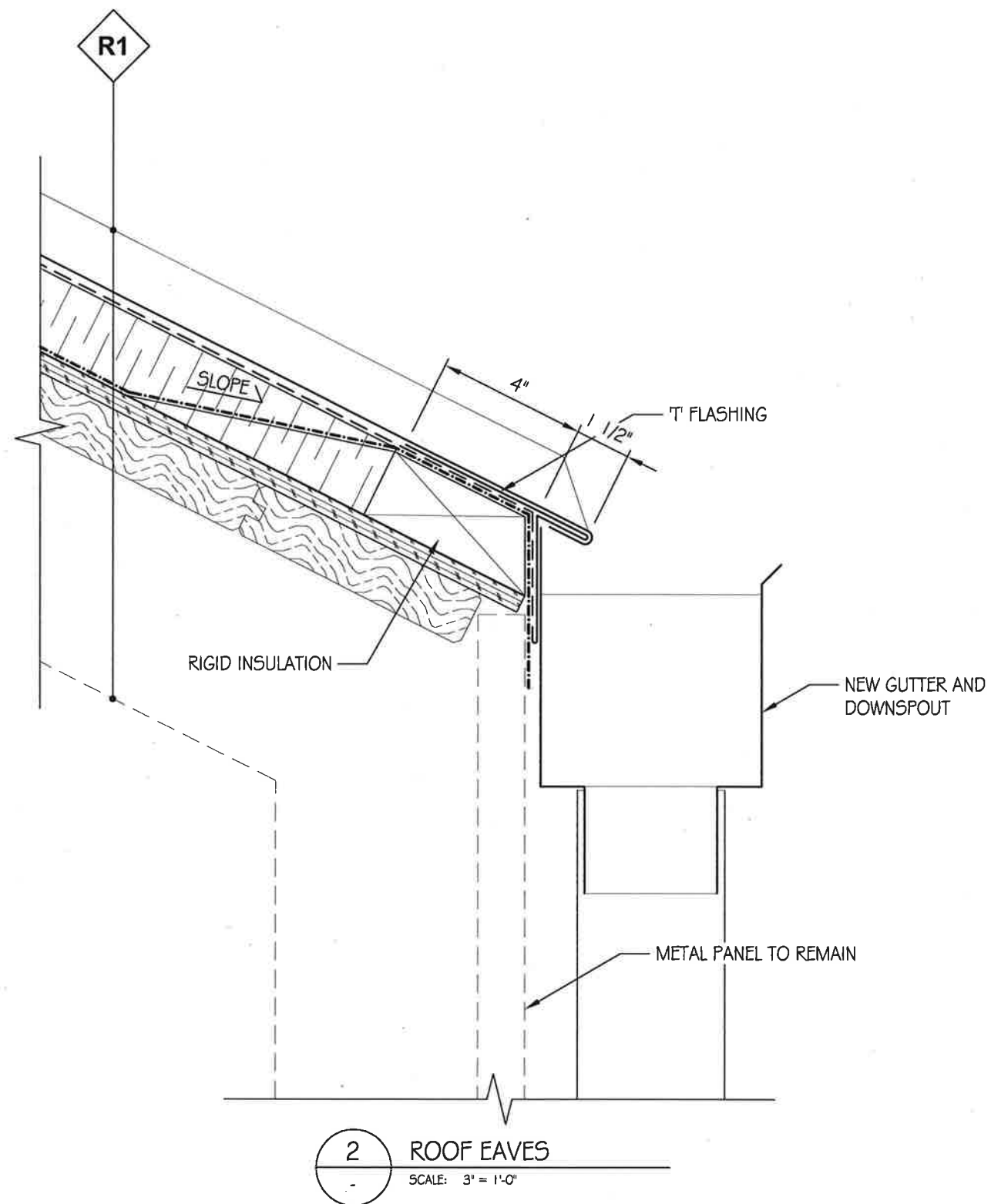
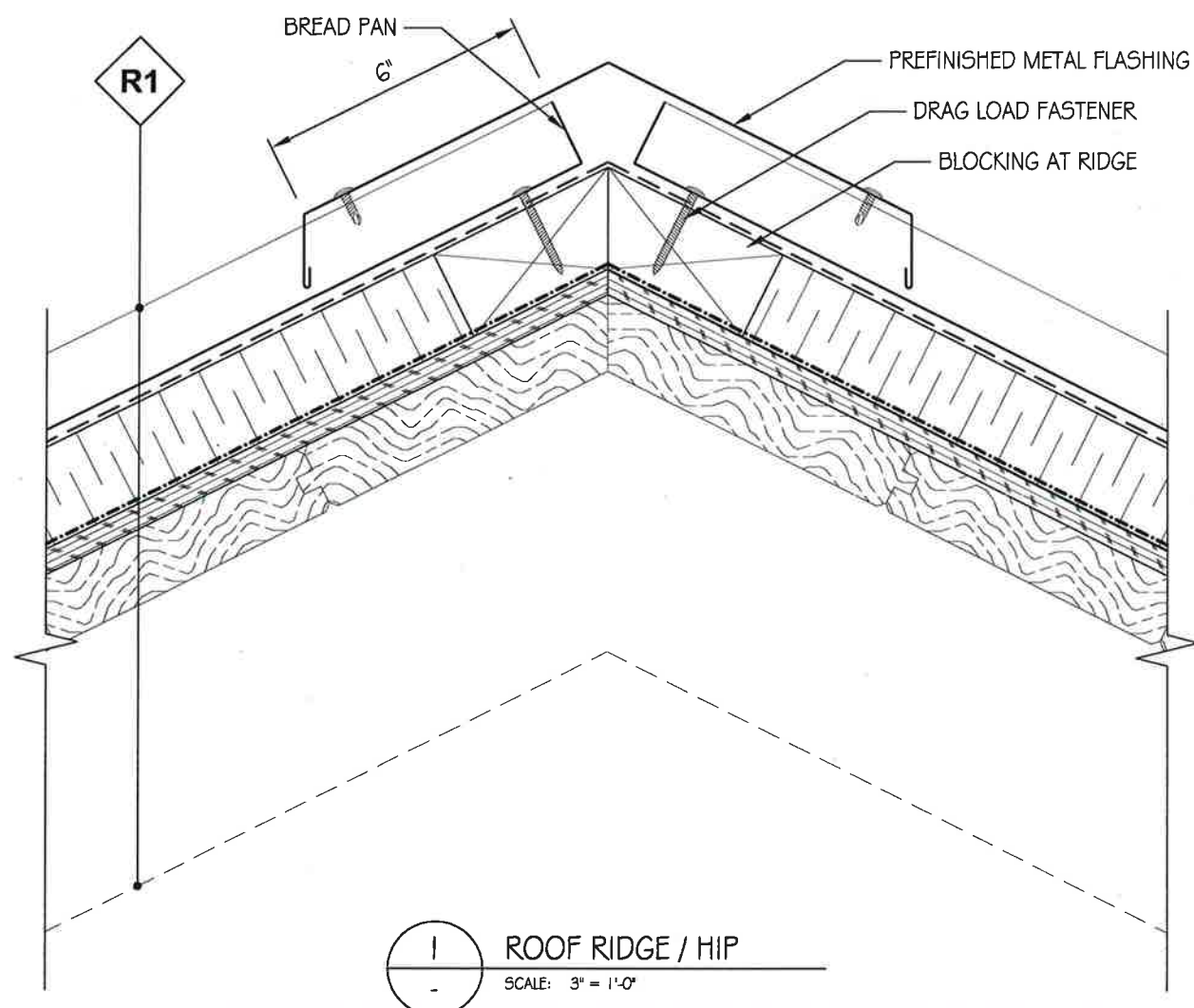
GRANVILLE ISLAND, VANCOUVER, BC

ROOF REPLACEMENT

ROOF PLAN

DATE:	MAR	DRAWING No:	BE-1.01
SCALE:	AS NOTED	DESIGNED:	JJ
DESIGNED:	JJ	DRAWN:	KW
DRAWN:	KW	PROJECT No:	VR15067
REVIEWED:	JJ		

NOTE: DO NOT SCALE FROM DRAWING. ALL DIMENSIONS TO BE OBTAINED AND VERIFIED ON SITE.



2	TENDER	05/26/15
1	CLIENT REVIEW	05/01/15
No.	ISSUE / REVISION	DATE

NOT TO BE USED FOR CONSTRUCTION

ALL RIGHTS RESERVED, PROPERTY OF JRS ENGINEERING GROUP. USE OR REPRODUCTION PROHIBITED WITHOUT PRIOR WRITTEN PERMISSION.

BUILDING 27
GRANVILLE ISLAND, VANCOUVER, BC

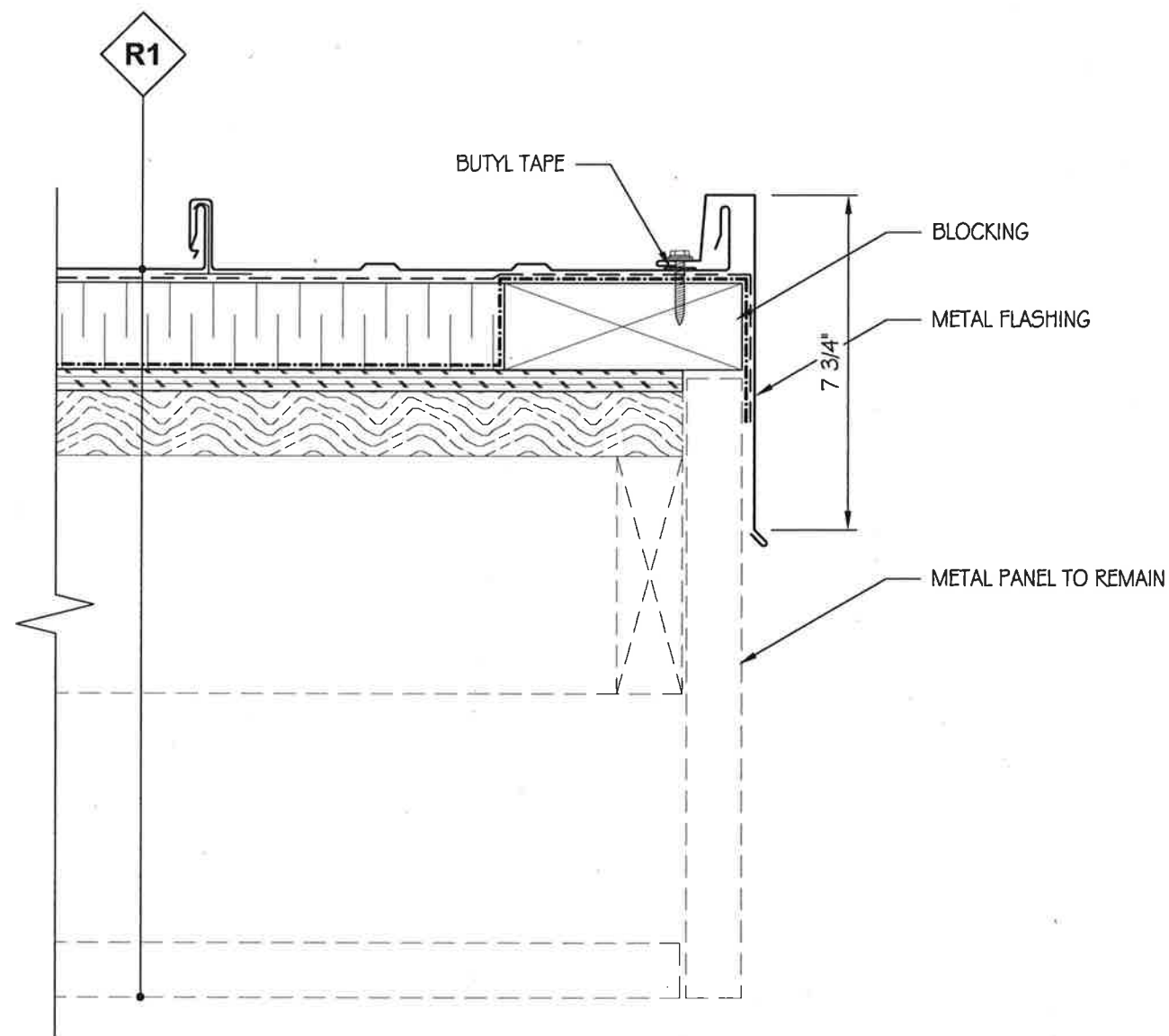
ROOF REPLACEMENT

ROOF PLAN

DATE:	MAR	DRAWING No:	BE-2.01
SCALE:	AS NOTED		
DESIGNED:	JJ	PROJECT No:	VR15067
DRAWN:	KW		
REVIEWED:	JJ		

NOTE: DO NOT SCALE FROM DRAWING. ALL DIMENSIONS TO BE OBTAINED AND VERIFIED ON SITE.

\\vancouver\Projects\LD\2015\VR15067\Building 27\Project Documents\02 Tender Drawings\Project Documents - Building 27.dwg, 2015-05-27 11:21:04 AM, kwhite



1 ROOF EDGE
SCALE: 3" = 1'-0"

NOTE: DO NOT SCALE FROM DRAWING. ALL DIMENSIONS TO BE OBTAINED AND VERIFIED ON SITE.



No.	ISSUE / REVISION	DATE
2	TENDER	05/26/15
1	CLIENT REVIEW	05/01/15

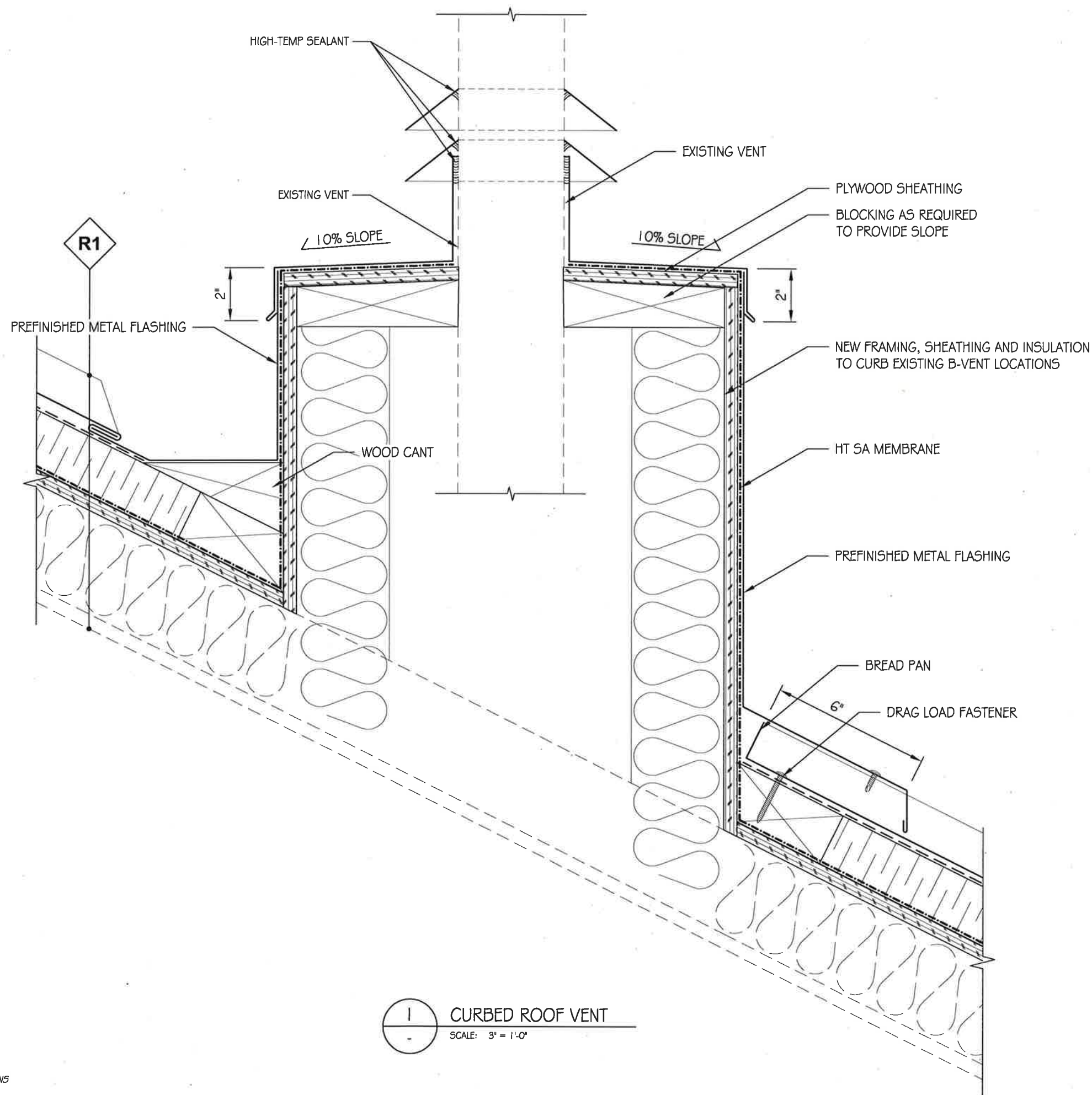
NOT TO BE USED FOR CONSTRUCTION

ALL RIGHTS RESERVED, PROPERTY OF JRS ENGINEERING GROUP. USE OR REPRODUCTION PROHIBITED WITHOUT PRIOR WRITTEN PERMISSION.

BUILDING 27
GRANVILLE ISLAND, VANCOUVER, BC
ROOF REPLACEMENT

ROOF PLAN

DATE:	MAR	DRAWING No:	BE-2.02
SCALE:	AS NOTED		
DESIGNED:	JJ	PROJECT No:	VR15067
DRAWN:	KW		
REVIEWED:	JJ		



R1

1 CURBED ROOF VENT
SCALE: 3" = 1'-0"

NOTE: DO NOT SCALE FROM DRAWING. ALL DIMENSIONS TO BE OBTAINED AND VERIFIED ON SITE.



2	TENDER	05/26/15
1	CLIENT REVIEW	05/01/15
No.	ISSUE / REVISION	DATE

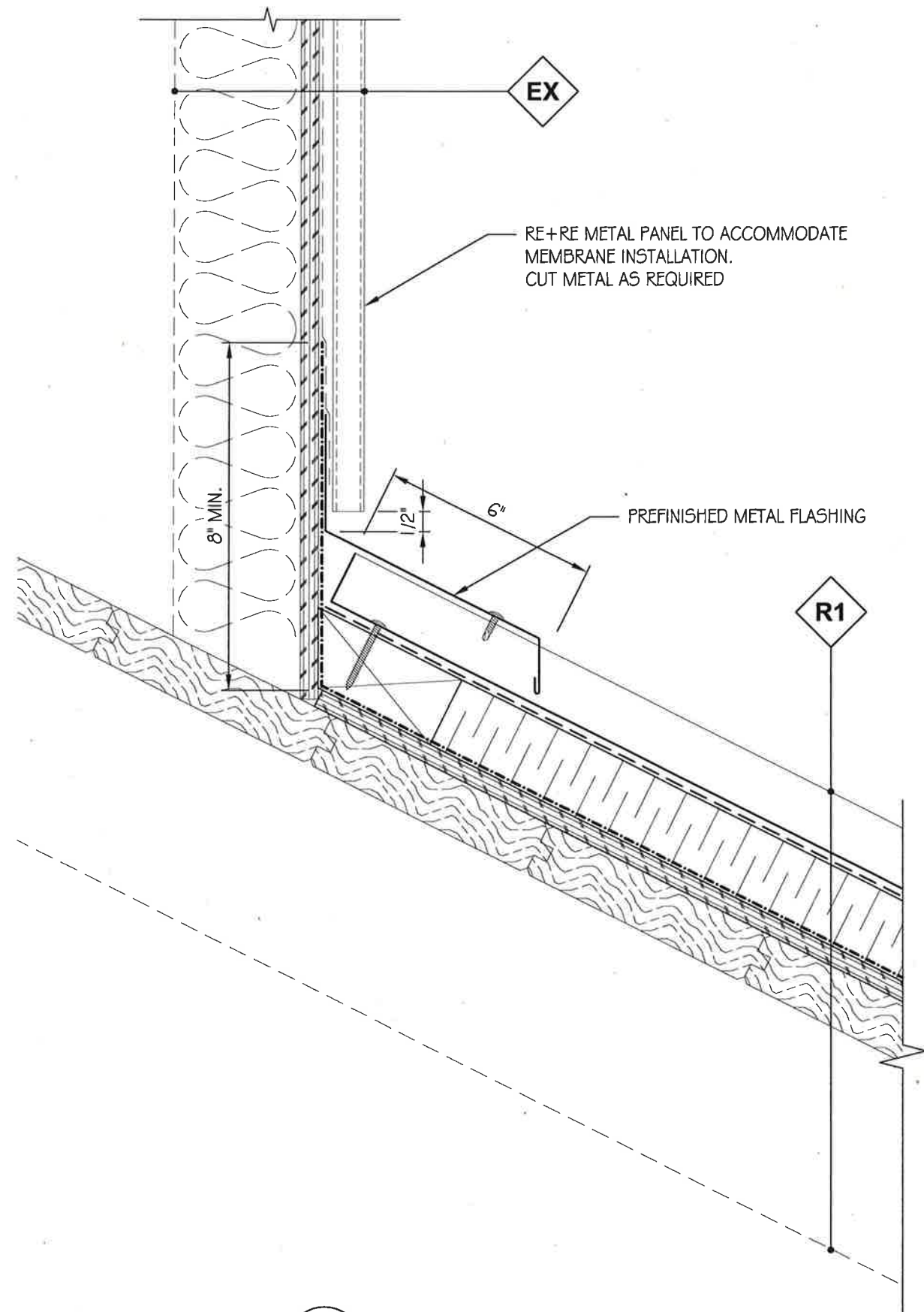
NOT TO BE USED FOR CONSTRUCTION

ALL RIGHTS RESERVED, PROPERTY OF JRS ENGINEERING GROUP. USE OR REPRODUCTION PROHIBITED WITHOUT PRIOR WRITTEN PERMISSION.

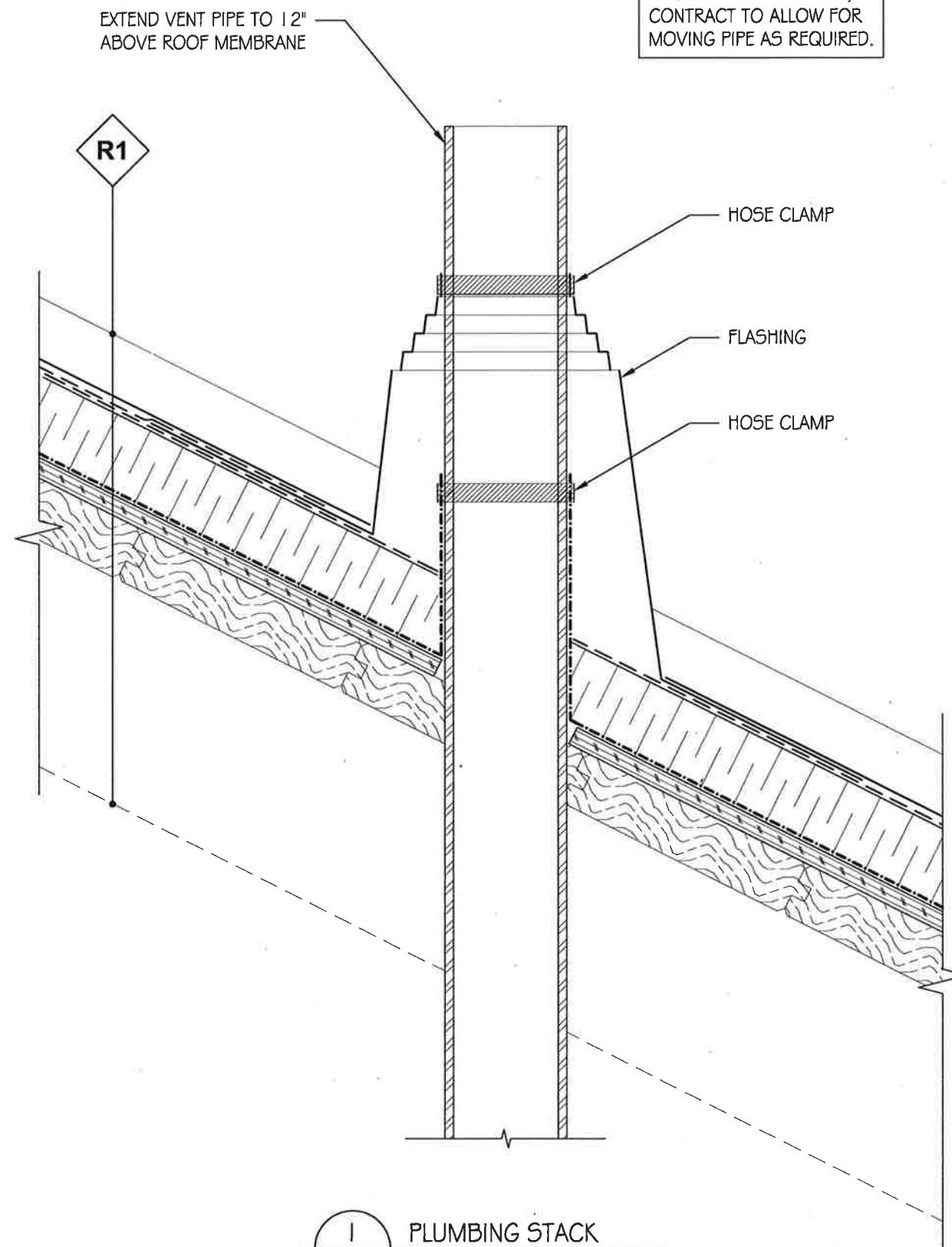
BUILDING 27
GRANVILLE ISLAND, VANCOUVER, BC
ROOF REPLACEMENT

ROOF PLAN

DATE:	MAR	DRAWING No:	BE-2.03
SCALE:	AS NOTED		
DESIGNED:	JJ	PROJECT No:	VR15067
DRAWN:	KW		
REVIEWED:	JJ		



I ROOF @ BACK WALL
SCALE: 3" = 1'-0"



I PLUMBING STACK
SCALE: 3" = 1'-0"

NOTE:
MUST FIT BETWEEN RIBS,
CONTRACT TO ALLOW FOR
MOVING PIPE AS REQUIRED.



2	TENDER	05/26/15
1	CLIENT REVIEW	05/01/15
No.	ISSUE / REVISION	DATE

NOT TO BE USED FOR CONSTRUCTION

ALL RIGHTS RESERVED, PROPERTY OF JRS ENGINEERING GROUP. USE OR REPRODUCTION PROHIBITED WITHOUT PRIOR WRITTEN PERMISSION.

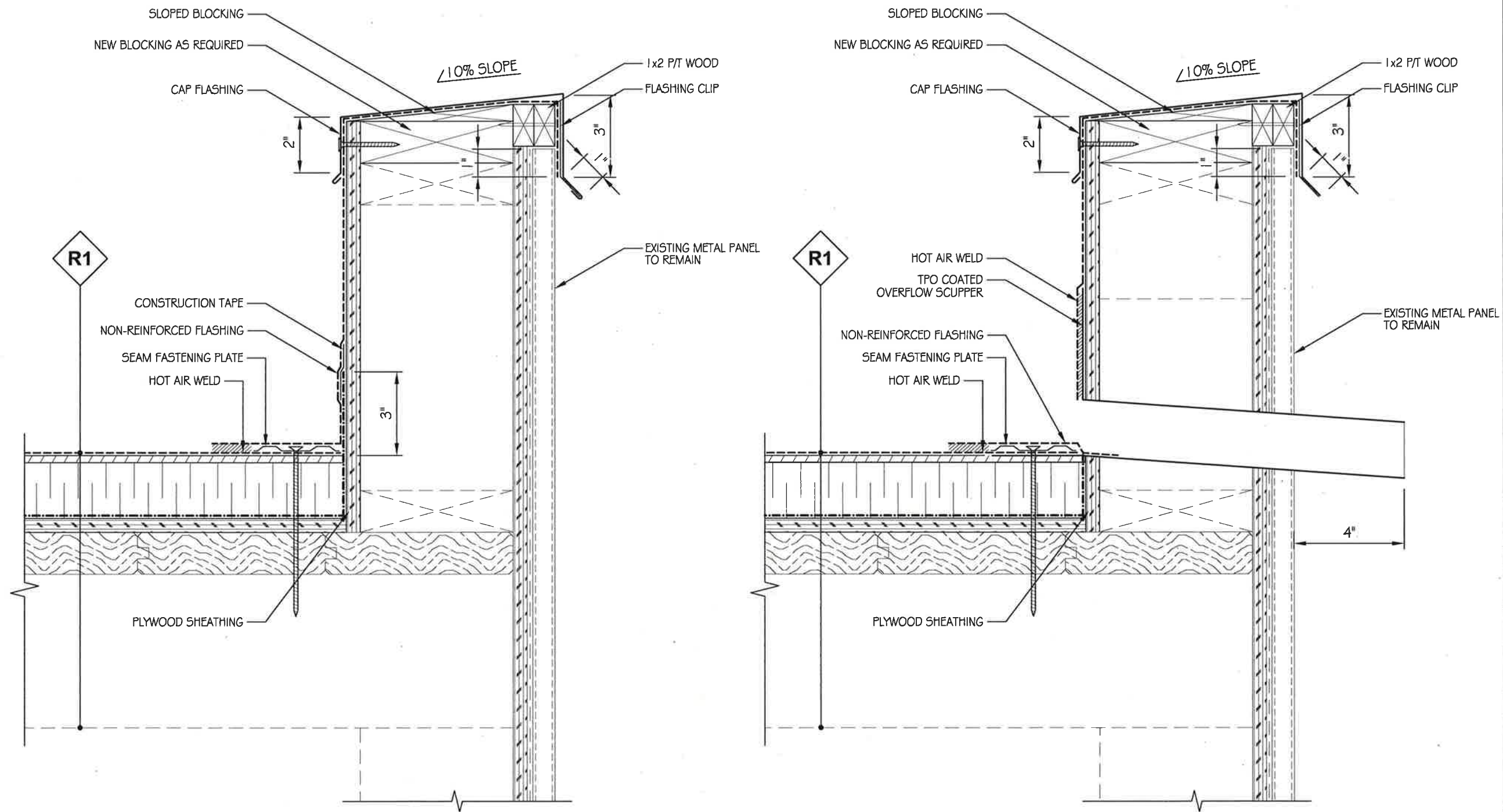
BUILDING 27

GRANVILLE ISLAND, VANCOUVER, BC

ROOF REPLACEMENT

ROOF PLAN

DATE:	MAR	DRAWING No:	BE-2.04
SCALE:	AS NOTED		
DESIGNED:	JJ		
DRAWN:	KW	PROJECT No:	VR1 5067
REVIEWED:	JJ		



1 ROOF PARAPET
SCALE: 3" = 1'-0"

2 SCUPPER
SCALE: 3" = 1'-0"

NOTE: DO NOT SCALE FROM DRAWING. ALL DIMENSIONS TO BE OBTAINED AND VERIFIED ON SITE.



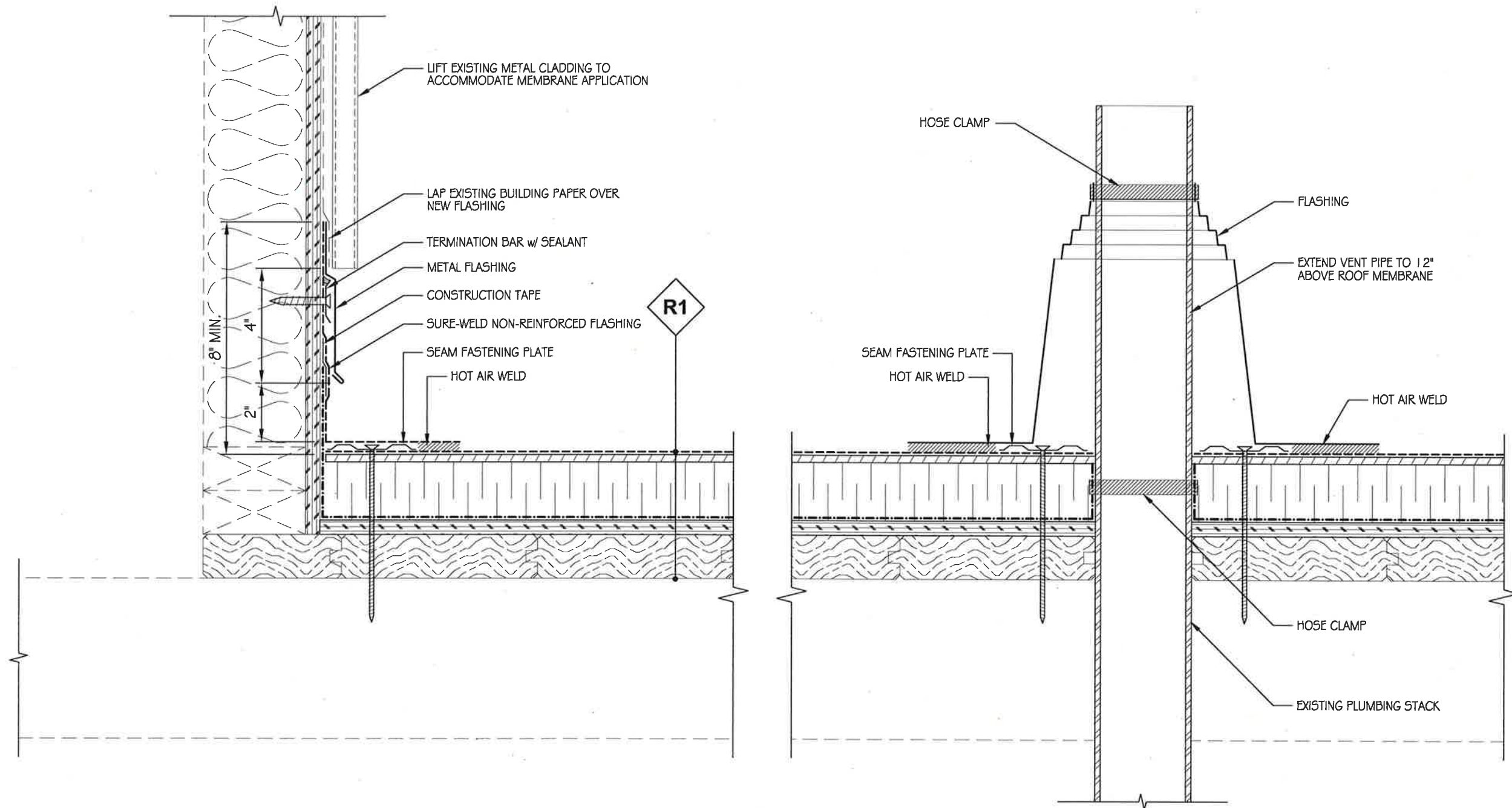
2	TENDER	05/26/15
1	CLIENT REVIEW	05/01/15
No.	ISSUE / REVISION	DATE

NOT TO BE USED FOR CONSTRUCTION
ALL RIGHTS RESERVED, PROPERTY OF JRS ENGINEERING GROUP. USE OR REPRODUCTION PROHIBITED WITHOUT PRIOR WRITTEN PERMISSION.

BUILDING 27
GRANVILLE ISLAND, VANCOUVER, BC
ROOF REPLACEMENT

ROOF PLAN	
DATE: MAR	DRAWING No: BE-2.05
SCALE: AS NOTED	DESIGNED: JJ
DRAWN: KW	PROJECT No: VR15067
REVIEWED: JJ	

\\vancouver\Projects\LD\2015\VR15067 Building 27\Project Documents\02 Tender\Drawings\Project Documents - Building 27.dwg, 2015-05-27 11:19:17 AM, kwhite



1 BASE OF WALL @ ROOF
SCALE: 3" = 1'-0"

2 PLUMBING STACK
SCALE: 3" = 1'-0"

NOTE: DO NOT SCALE FROM DRAWING. ALL DIMENSIONS TO BE OBTAINED AND VERIFIED ON SITE.



2	TENDER	05/26/15
1	CLIENT REVIEW	05/01/15
No.	ISSUE / REVISION	DATE

NOT TO BE USED FOR CONSTRUCTION
ALL RIGHTS RESERVED, PROPERTY OF JRS ENGINEERING GROUP. USE OR REPRODUCTION PROHIBITED WITHOUT PRIOR WRITTEN PERMISSION.

BUILDING 27
GRANVILLE ISLAND, VANCOUVER, BC
ROOF REPLACEMENT

ROOF PLAN	
DATE: MAR	DRAWING No: BE-2.06
SCALE: AS NOTED	
DESIGNED: JJ	
DRAWN: KW	PROJECT No: VR15067
REVIEWED: JJ	

\\vancouver\Projects\LTD\2015\VR15067 Building 27\Project Documents\02 Tender\Drawings\Project Documents - Building 27.dwg, 2015-05-27 11:19:18 AM, kwhite