

Proposed Winter Holding Area

West Block, Grasslands National Park, 2015

Proposed Holding Area

646 Ha

Facility

20 Ha

Existing

12.6 km of pagewire total
10 game crossings

Legend

- ★ Game Crossings
- Small Holding field
- Roads
- ▭ Proposed Winter Holding Area
- ▭ Existing Fences
- ▭ GNP Proposed Boundary
- ▭ Quarters



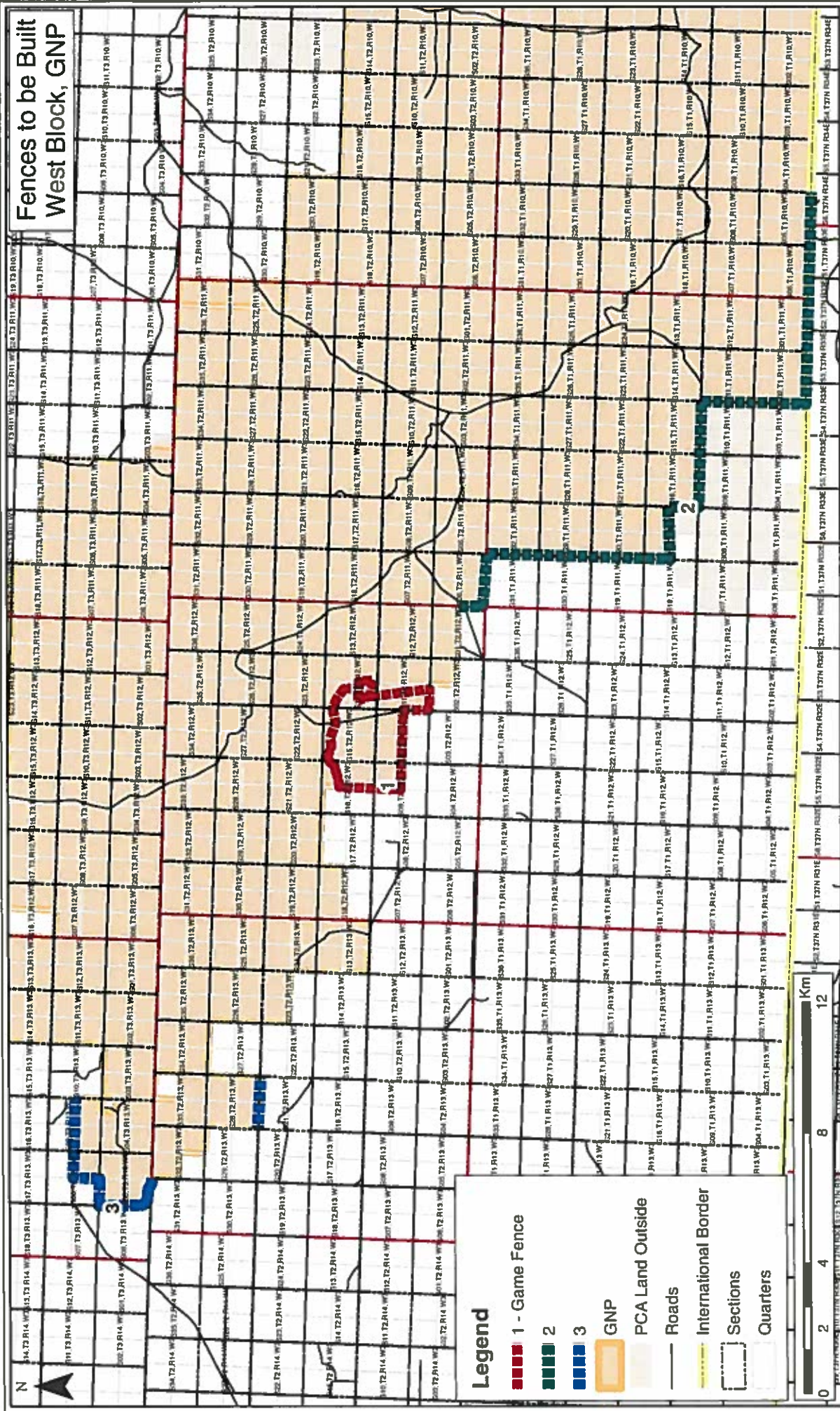
0

1

2

Kilometers

Fences to be Built West Block, GNP



Source: Grasslands National Park, 2015
Projection: NAD 83 UTM Zone 13N



Side	Qtr	Section	Township	Range	Miles	Miles
W	SW	6	2	11	0.5	
S	S 1/2	6	2	11	1.0	
W		32, 29, 20	1	11	3.0	
W	NW	17	1	11	0.5	
S	N 1/2	17	1	11	1.0	
W	SW	16	1	11	0.5	
S	S 1/2	16	1	11	1.0	
S	S 1/2	15	1	11	1.0	
W		11, 2	1	11	2.0	
S		2, 1	1	11	2.0	
S		6, 5	1	10	2.0	
					<u>14.5</u>	14.5

2

S	SW	5	3	13	0.5	
W		5	3	13	1	
N	NW	5	3	13	0.5	
W	SE	8	3	13	0.5	
N	SE	8	3	13	0.5	
N	S	9	3	13	1	
S		28	2	13	1	
					<u>5</u>	5

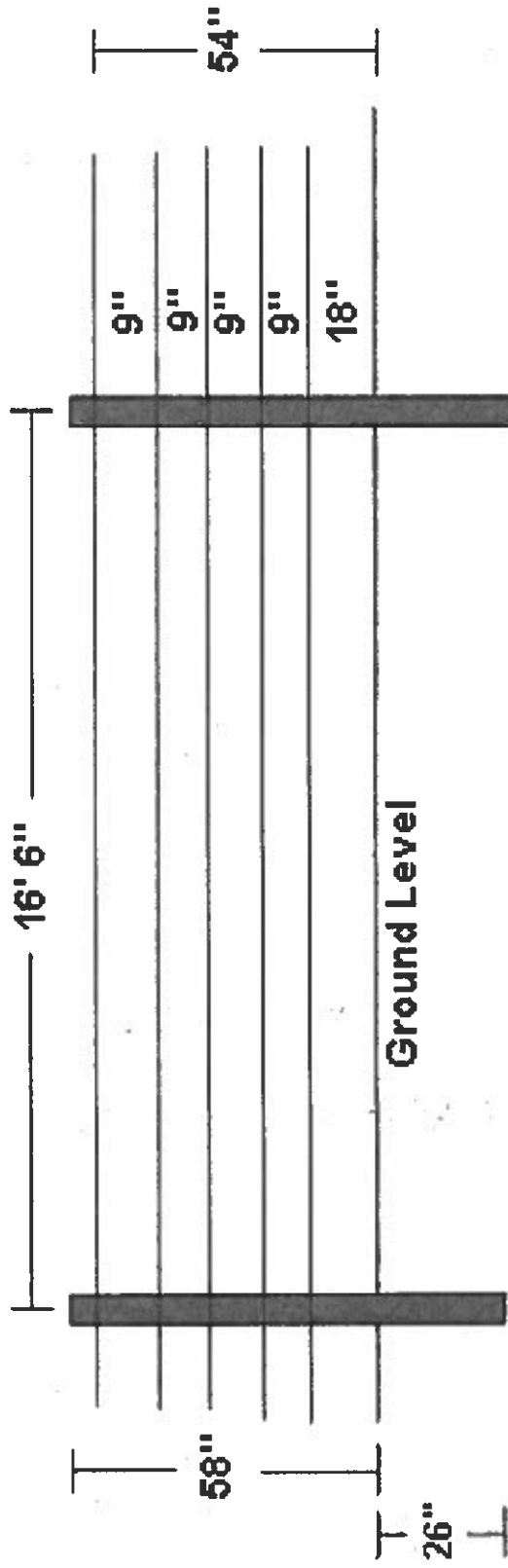
3

Annex II - General Fence Specifications

Prepared by R. Cherepak,
June 2004

GNP Fence Specifications - Bison Standard

**General - Wire height and spacing
Post height, depth and spacing**



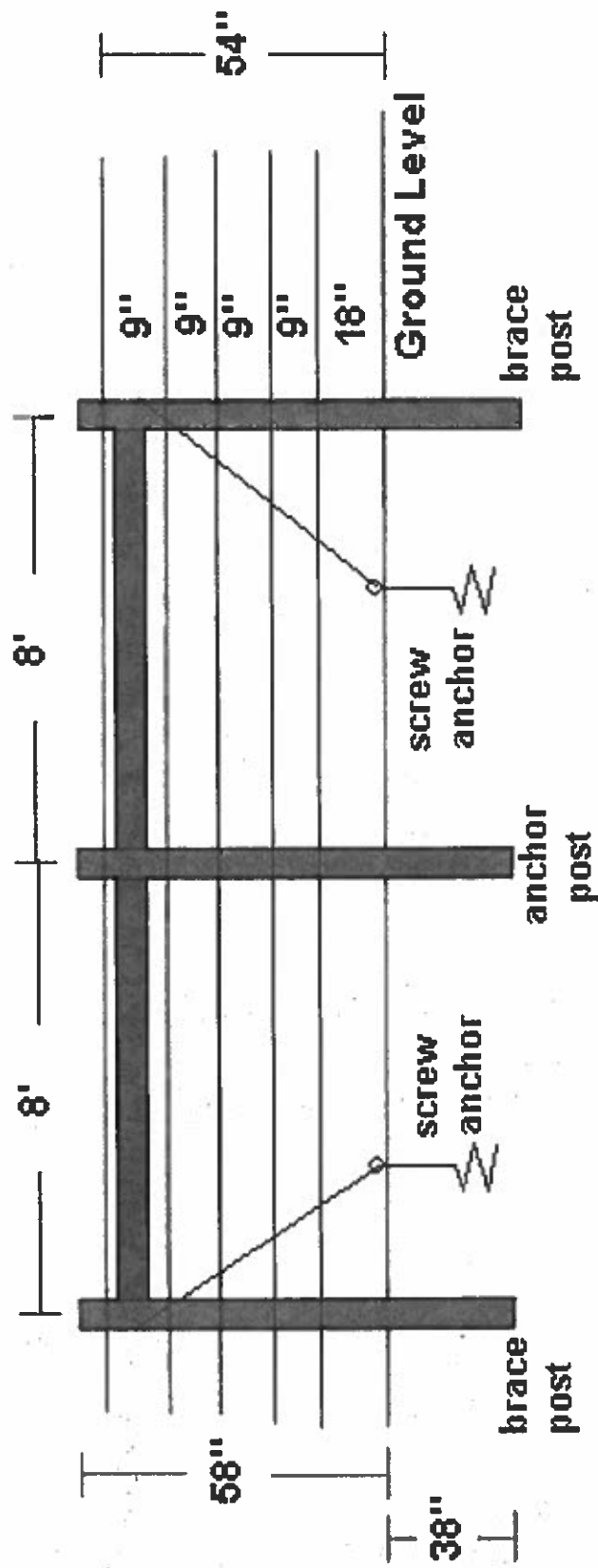
**Note: numeric values are accurate and reflect requirement,
drawing not to scale**

Annex III - Anchor and Brace Post Specifications

Prepared by R. Cherepak,
June 2004

GNP Fence Specifications - Bison Standard

Anchor and Brace Posts - spacing, configuration



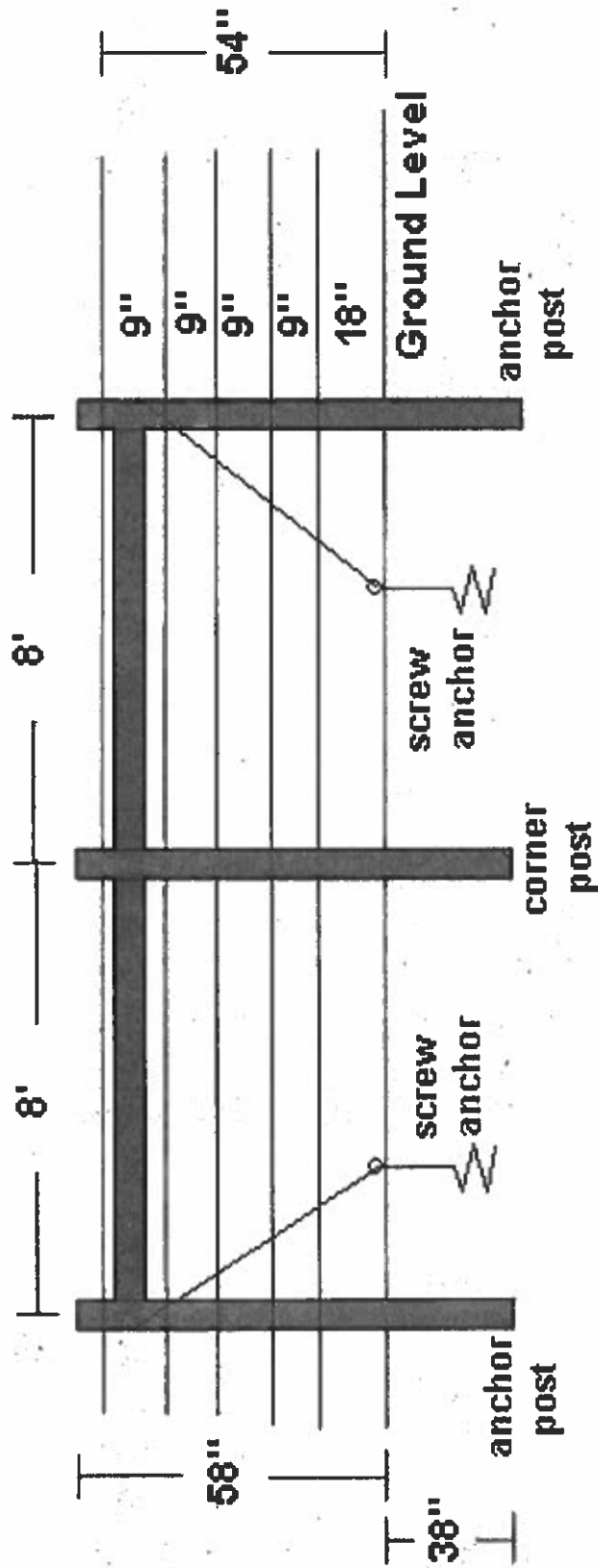
Note: numeric values are accurate and reflect requirement, drawing not to scale

GNP Fence Specifications - Bison Standard

Corner Posts - anchors, spacing and configuration

side view

see next page for top view



**Note: numeric values are accurate and reflect requirement,
drawing not to scale**

Annex V - Corner Post Specifications (Top View)

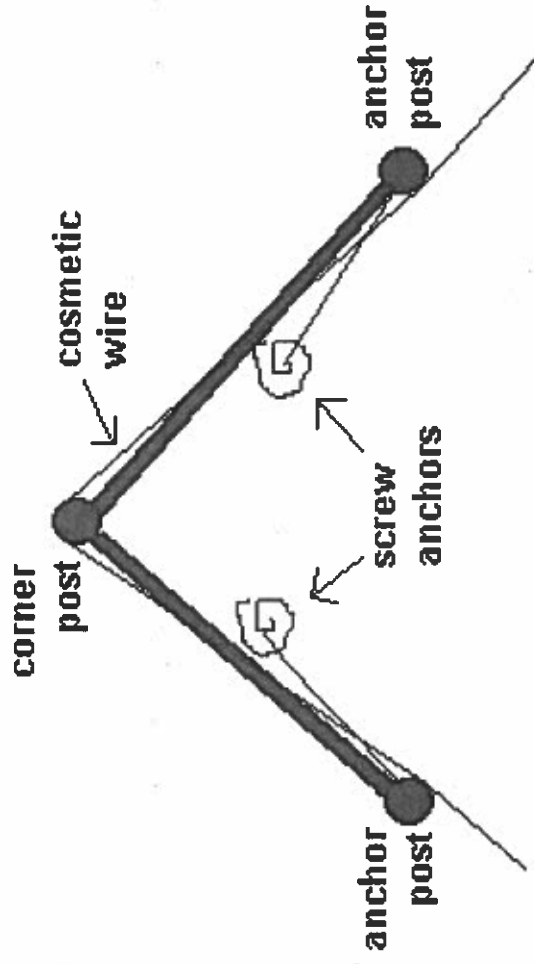
GNP Fence Specifications - Bison Standard

Prepared by R. Cherepak,
June 2004

Corner Posts - anchors, spacing and configurator

top view

see previous page for side view

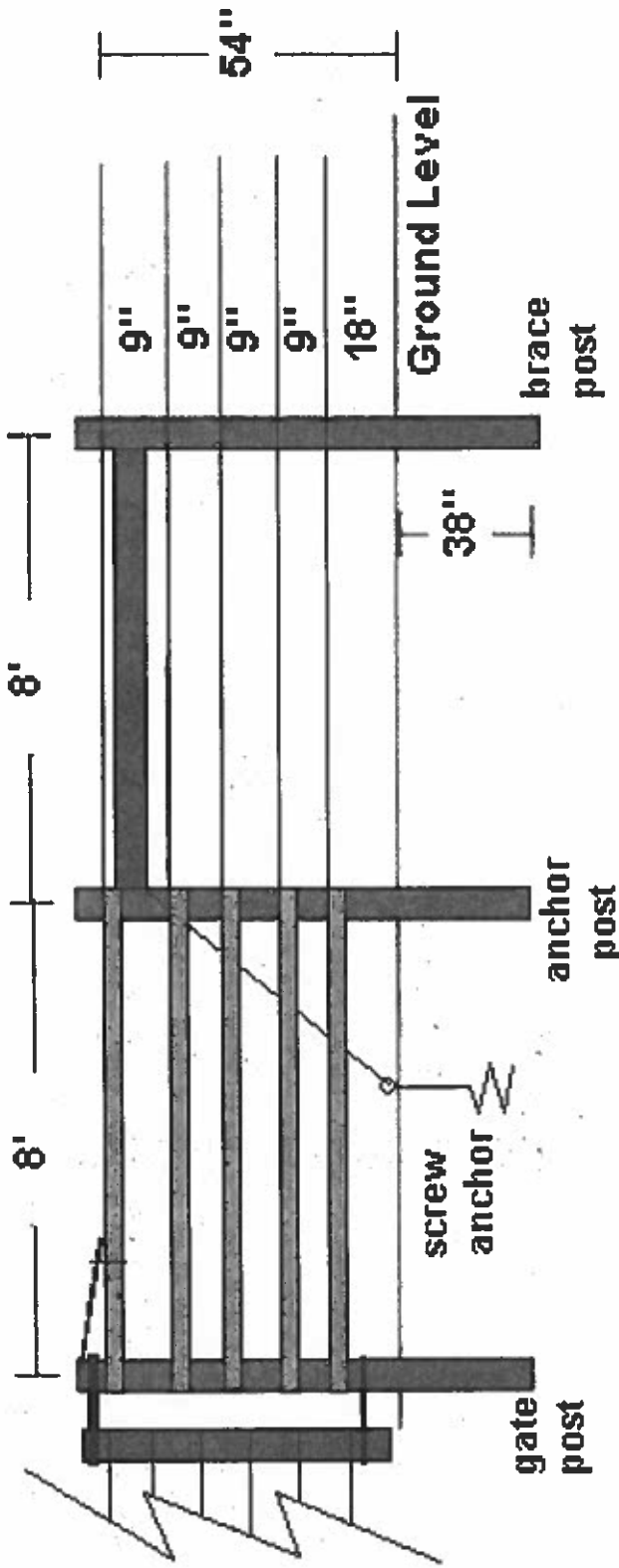


**Note: numeric values are accurate and reflect requirement,
drawing not to scale**

Prepared by R. Cherepak,
June 2004

GNP Fence Specifications - Biscr. Standard

End of Fence at Wire Gate - rails, spacing and anchors

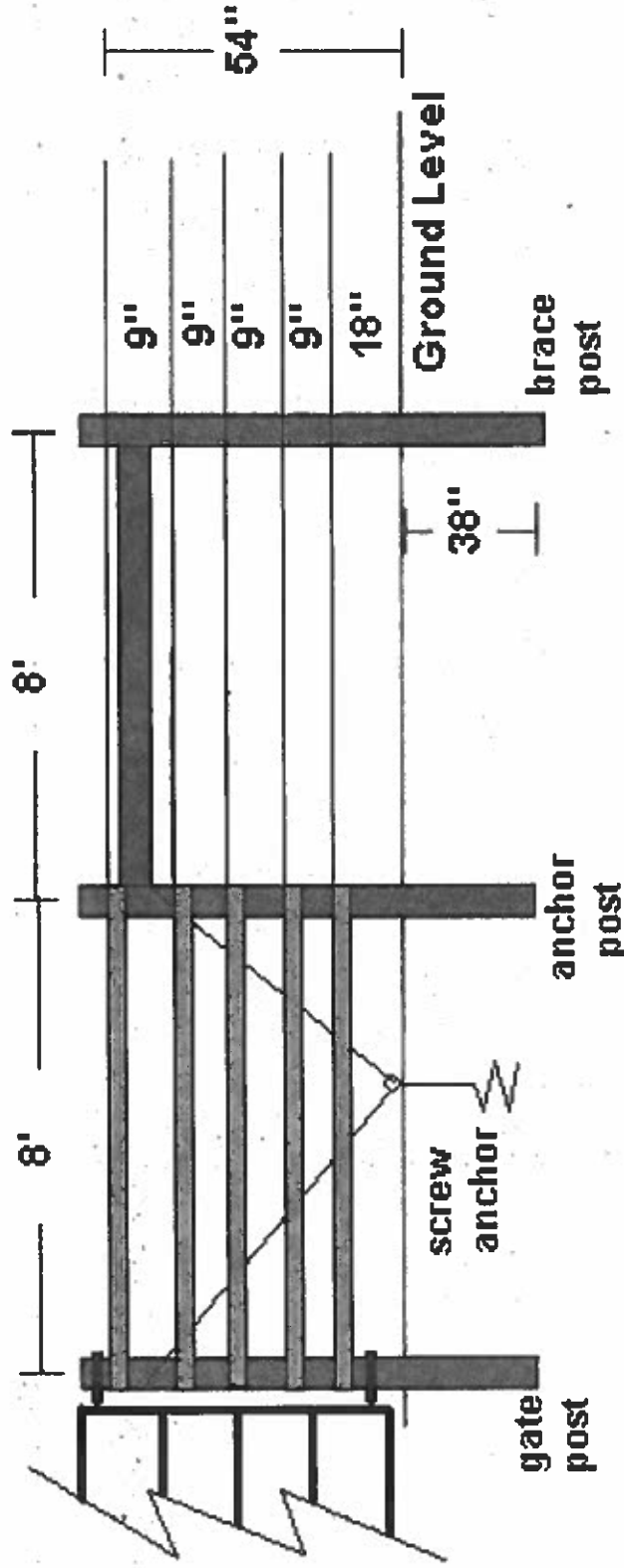


**Note: numeric values are accurate and reflect requirement,
drawing not to scale**

Prepared by R. Cherepak,
June 2004

GNP Fence Specifications - Bison Standard

End of Fence at Metal Gate - rails, spacing and anchors



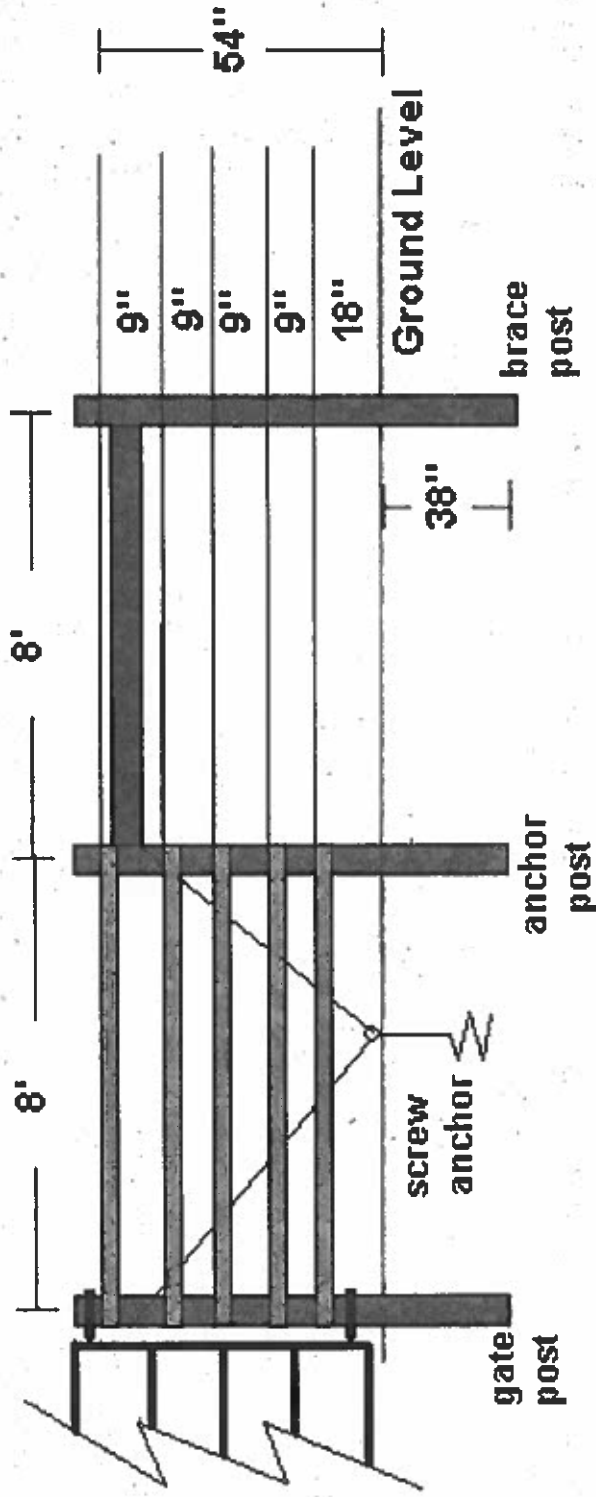
**Note: numeric values are accurate and reflect requirement,
drawing not to scale**

Annex VII - End of Fence at Metal Gate

Prepared by R. Cherepak,
June 2004

GNP Fence Specifications - Bison Standard

End of Fence at Metal Gate - rails, spacing and anchors

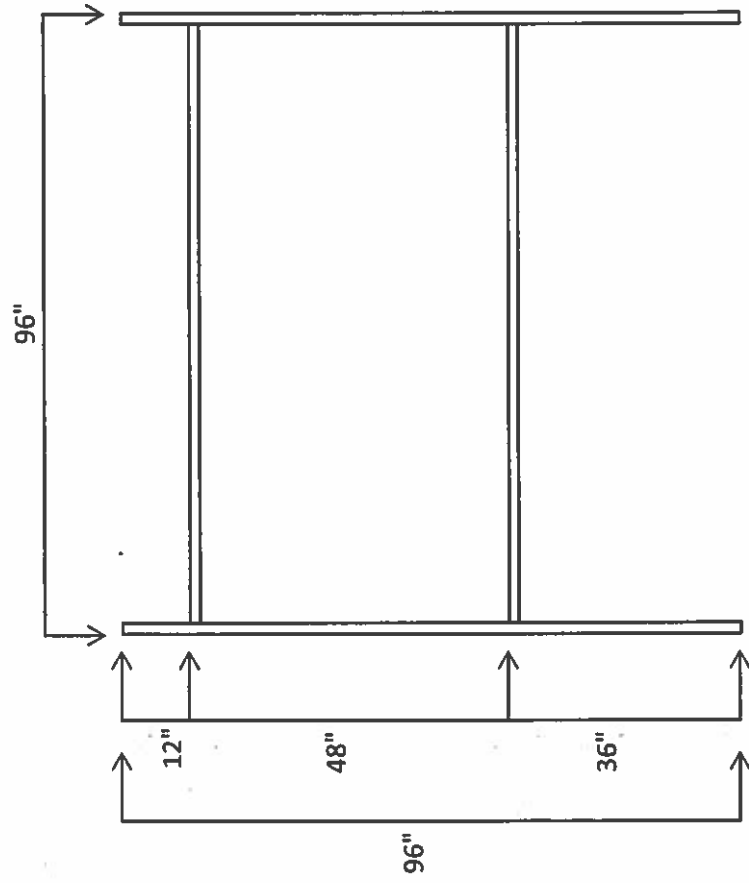


Note: numeric values are accurate and reflect requirement,
drawing not to scale

Appendix A

Braces for Game Fence

Scale: 1 cm = 1 foot



Materials:

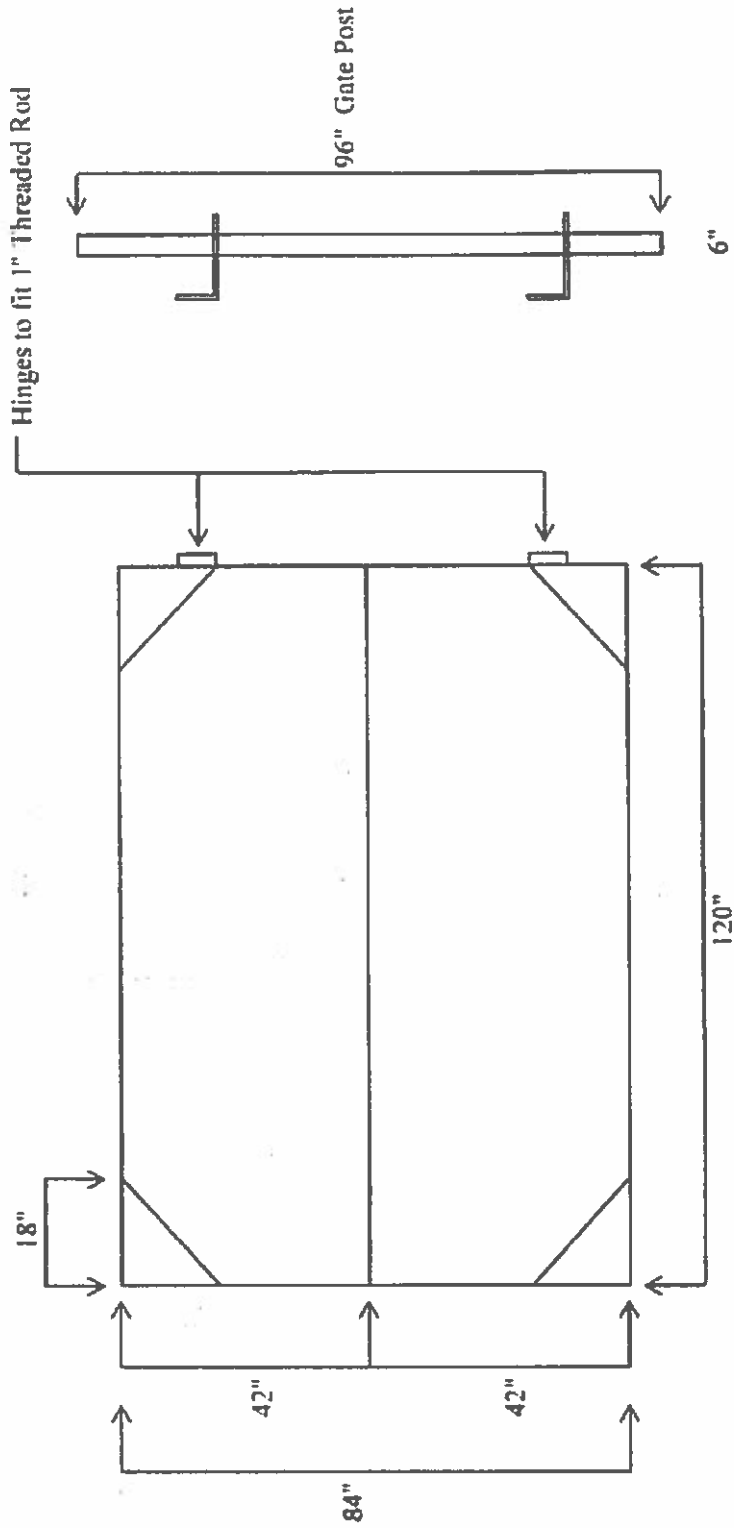
2 3/8" or 2 7/8" Drill Stem

Cross-members to be prebuilt and bolted in place or welded on site. (fire could be an issue with drier conditions)

Brace Post is to be 144" in length (96" above ground, 48" in ground)

Appendix B Gates for Game Fence

Scale: 1 cm = 1 foot



Materials:

- 1.5" Square Tubing .125 wall on Hinge End
- 1.5" Square Tubing .100 wall for rest of Gate
- Covered with Game Fence Wire
- Gate Post is 6" diameter with .25" thickness
- Gate Post is to be 144" in length (96" above ground, 48" in ground)
- Threaded Rod is 1" diameter and 18" in length