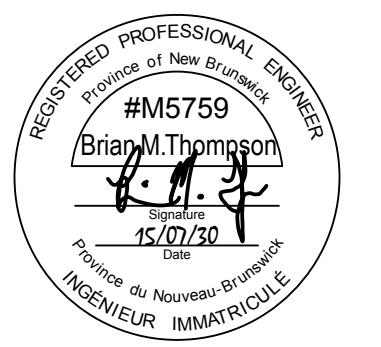


Documents prepared by Tek Consultants Limited as instruments of service shall remain the property of the design professional.
This design document is prepared solely for use by the party with whom Tek Consultants Limited has entered into an agreement and there are no representations of any kind made by the design professional to any party with whom the design professional has not entered into an agreement.



GENERAL NOTES:

- SITE IS TO REMAIN OPERATIONAL FOR FISHERMEN DURING RENOVATION. INSTALL NEW WORK WHILE MAINTAINING EXISTING ELECTRICAL. ONCE FISHING SEASON IS FINISHED, REMOVE EXISTING ELECTRICAL MADE OBSOLETE INCLUDING CONDUIT AND WIRING.
- ARRANGE WITH NB POWER FOR REMOVAL OF EXISTING POLES AND LUMINAIRES. REMOVE ALL OBSOLETE ELECTRICAL, CONDUIT AND WIRING.

NOTES

- COORDINATE WITH UTILITIES FOR OVERHEAD SERVICES.
- PROVIDE SEPARATE PRICE FOR REPLACEMENT OF METERED SERVICE 'MS1'.
- PROVIDE 0 DEGREE CONNECTION TO NB POWER SCP ED25-54 FOR POLE 2.
- PROVIDE 90 DEGREE TURN TO NB POWER SCP ED25-71 FOR POLE 5.
- REMOVE AND REINSTALL EXISTING BOULDERS AS REQUIRED FOR WORK (TYPICAL).
- LOCATE POLE AS CLOSE TO SHORE LINE AS POSSIBLE TO ALLOW TRUCKS / TRAILERS TO BACK OUT FROM WHARF IN A STRAIGHT LINE.
- INSTALL ON SIDE OF EXISTING WINCH STRUCTURE. PROVIDE ADDITIONAL STAINLESS STEEL UNISTRUT SUPPORT AS REQUIRED.

0	ISSUED FOR TENDER	JUL 30 2015
revisions		date

project **ELECTRICAL UPGRADES CAP-DES-CAISSIE WHARF** project

KENT CO., NB

drawing **WHARF PLAN ELECTRICAL** design

designed BMT	conçu
date JULY 2015	
drawn DD	dessiné
date JULY 2015	
approved BMT	approuvé
date JULY 2015	
Tender	Soumission

Project Manager Administrateur de projets
project number no. du projet
721541

drawing no. no. du dessin
E1 OF 7

GENERAL SUBSCRIPTS

- E - INDICATES EXISTING TO REMAIN
- W - INDICATES WEATHERPROOF COVER
- X - EXISTING TO BE REMOVED

LEGEND

- CONDUIT AND WIRING UNDERGROUND
- CONDUIT AND WIRING RUN SURFACE
- AERIAL WIRING
- WOOD POLE: 1 - INDICATES POLE NUMBER
- POLE MOUNTED TRANSFORMER
- GUY WIRE
- ELECTRICAL PANEL, SURFACE MOUNTED: MS2 - INDICATES PANEL DESIGNATION
- MS2-1 INDICATES CIRCUIT 1 IN PANEL 'MS2'
- 2#10 TWO CONDUCTORS NUMBER 10 AWG WIRING
- UTILITY METER

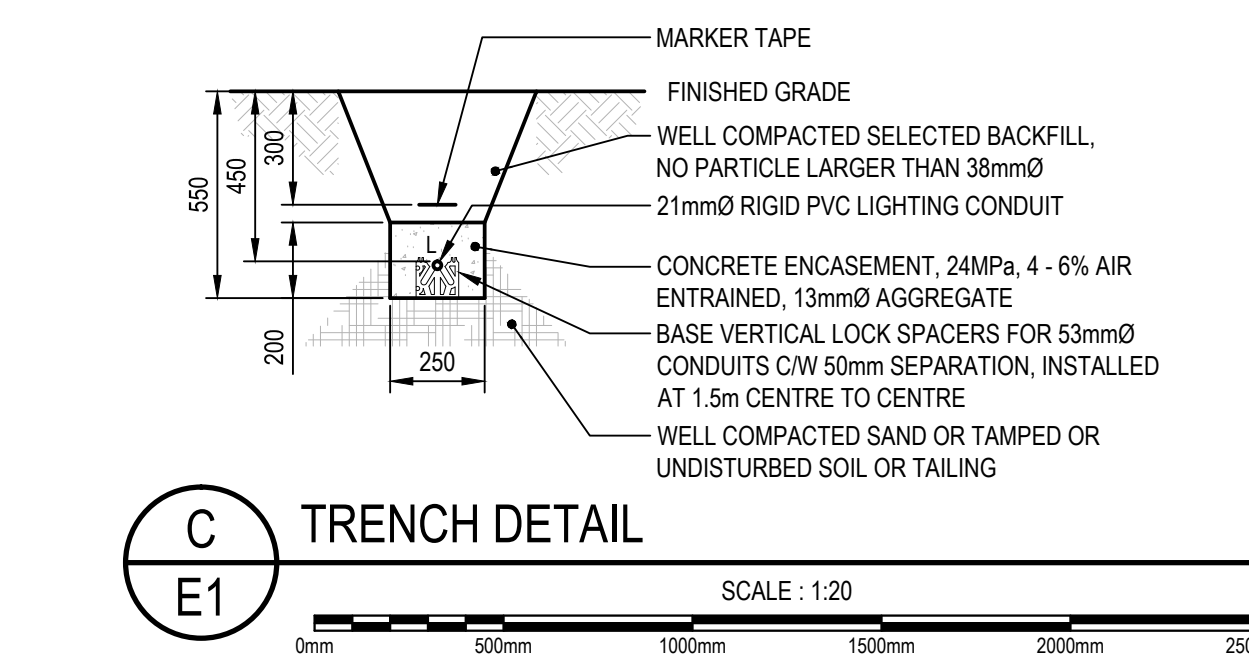
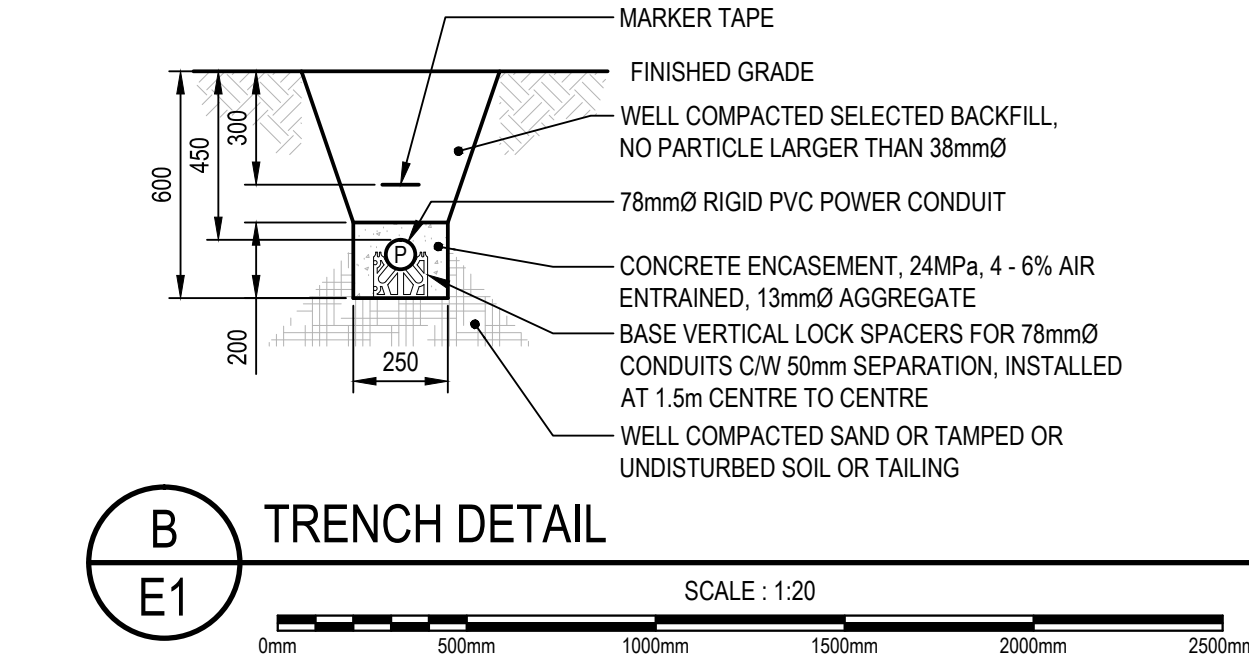
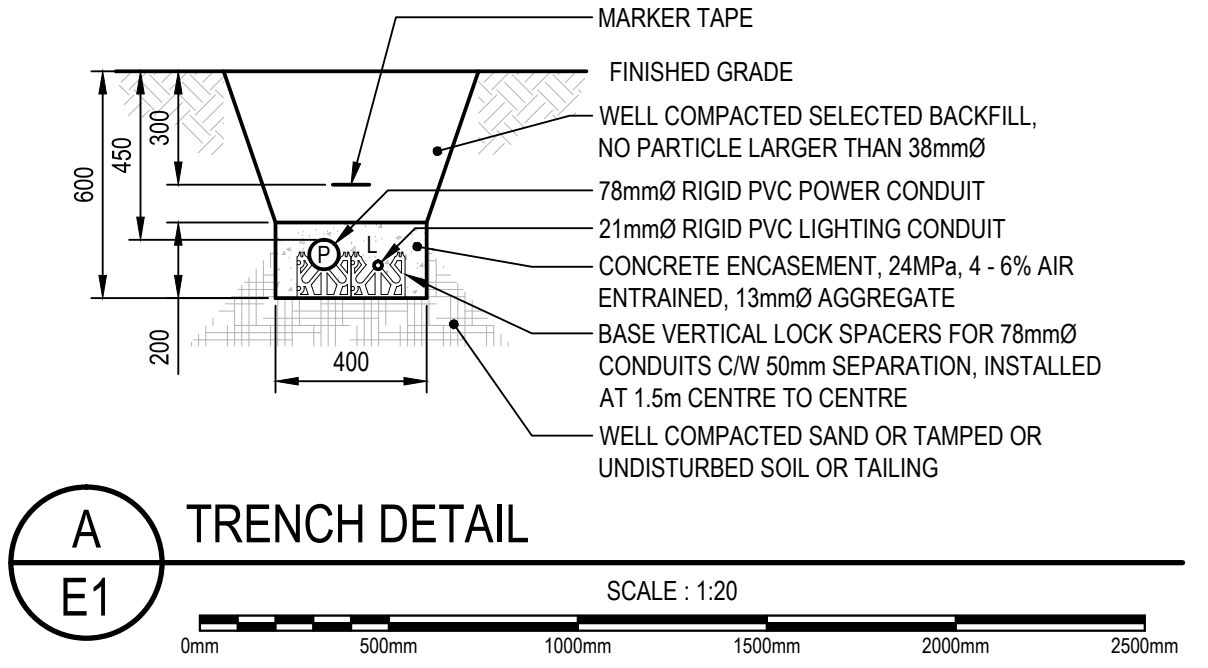
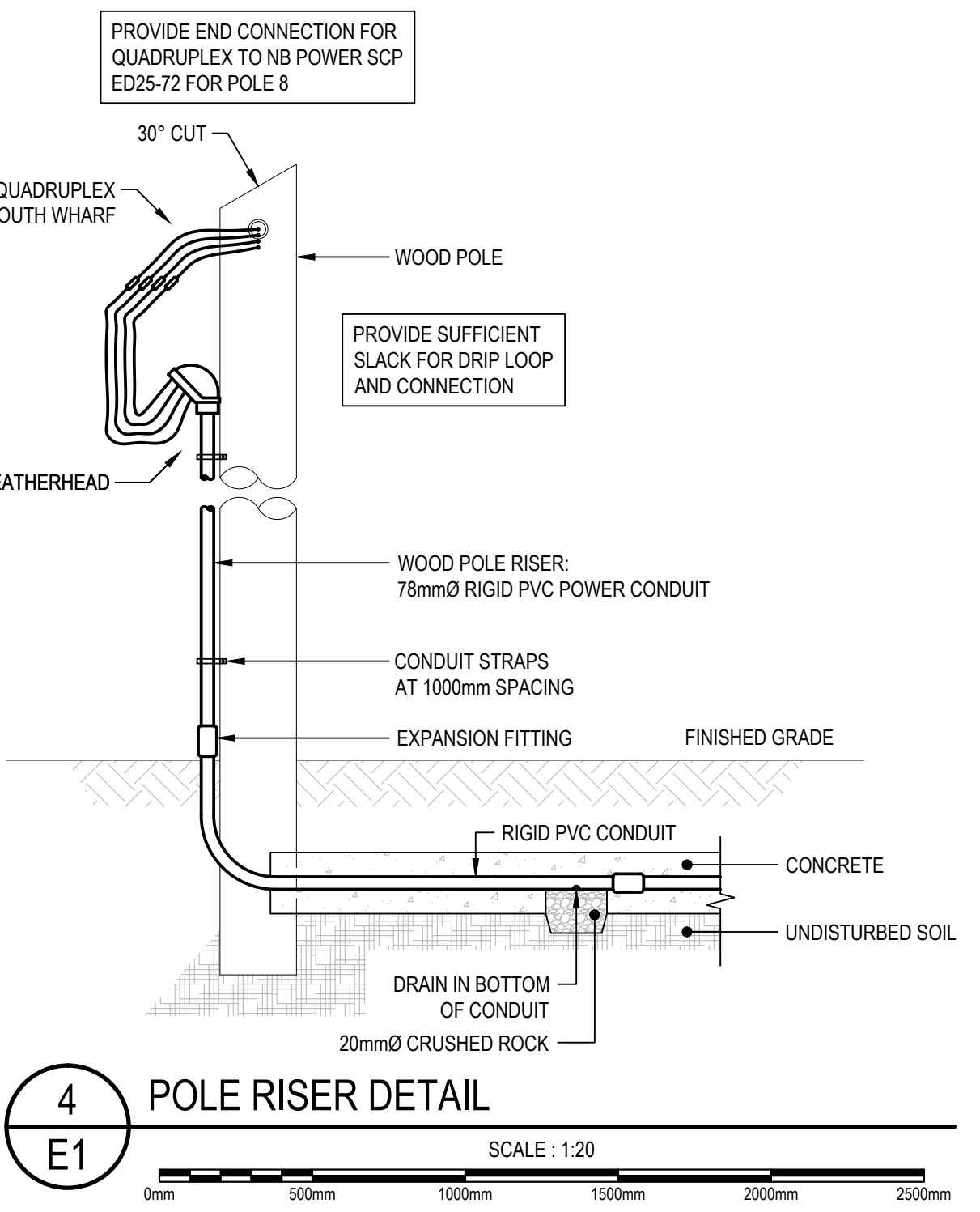
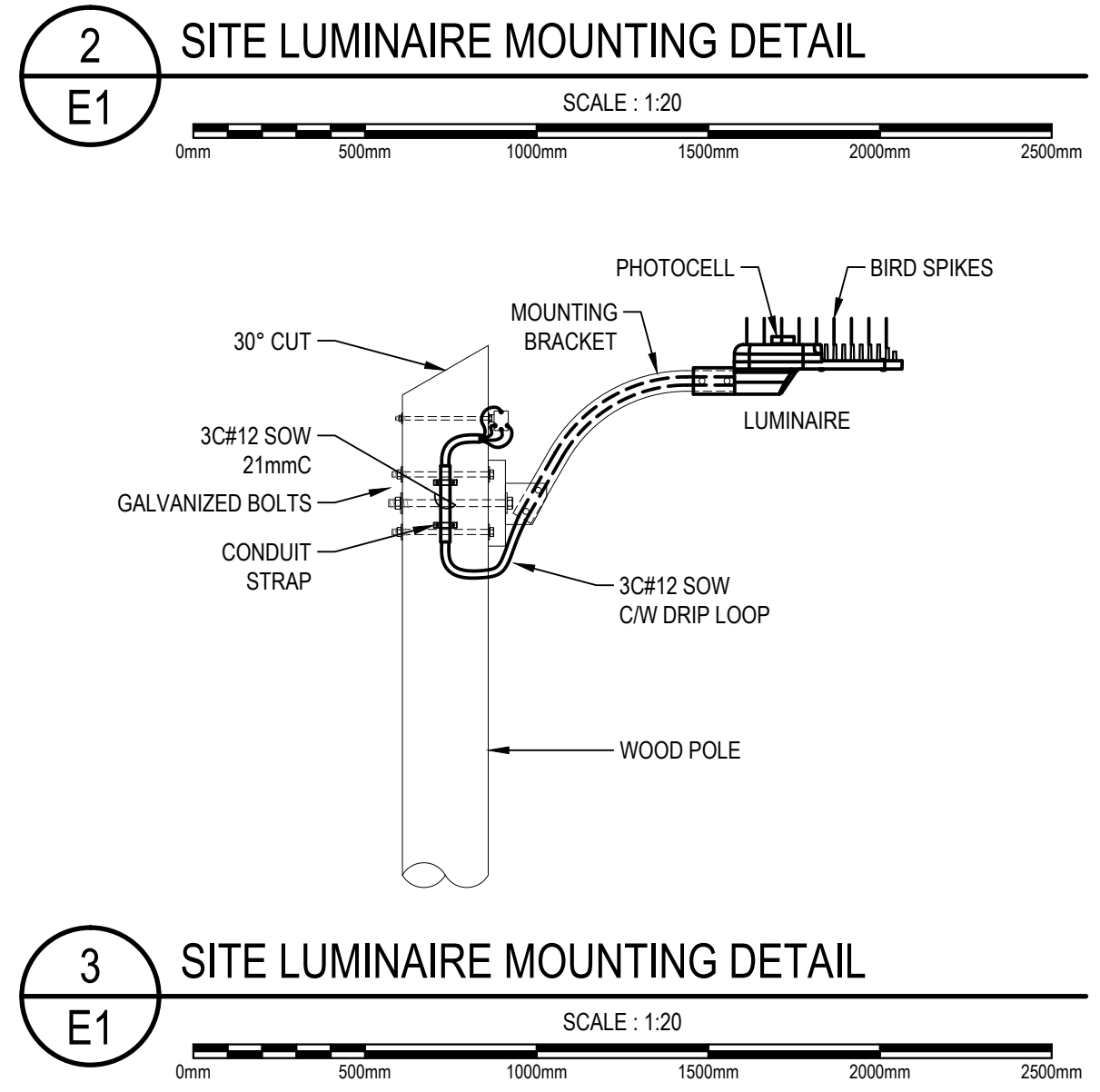
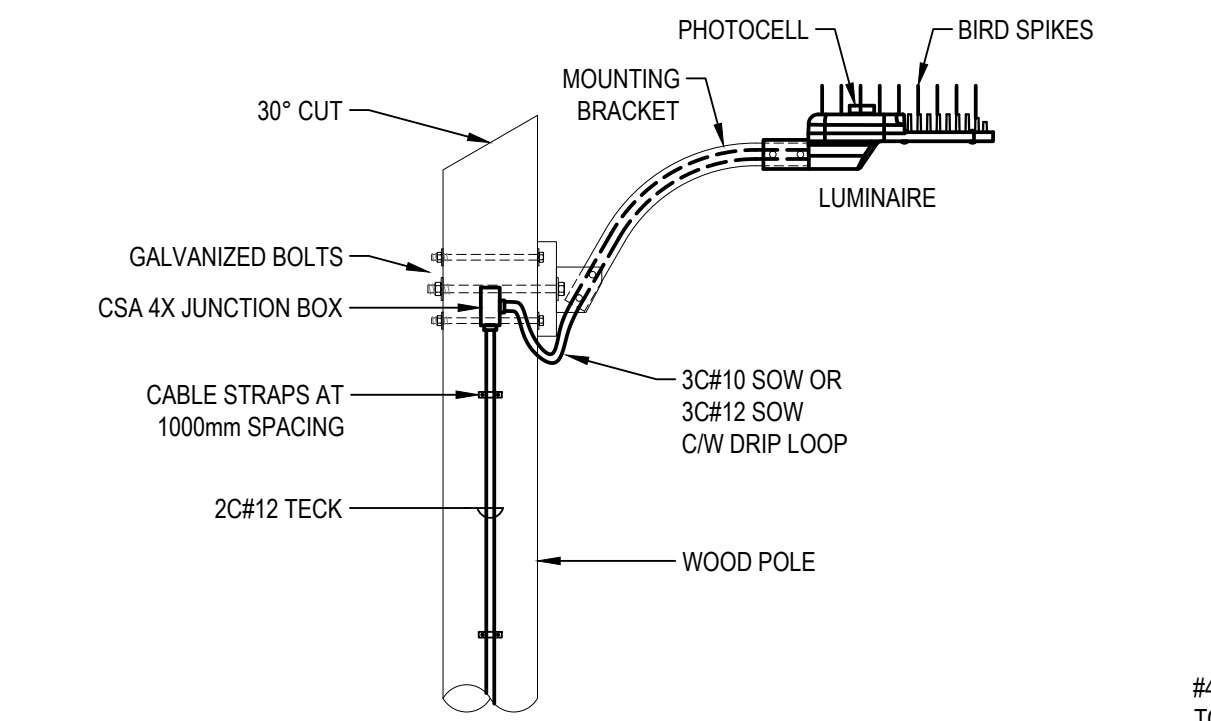
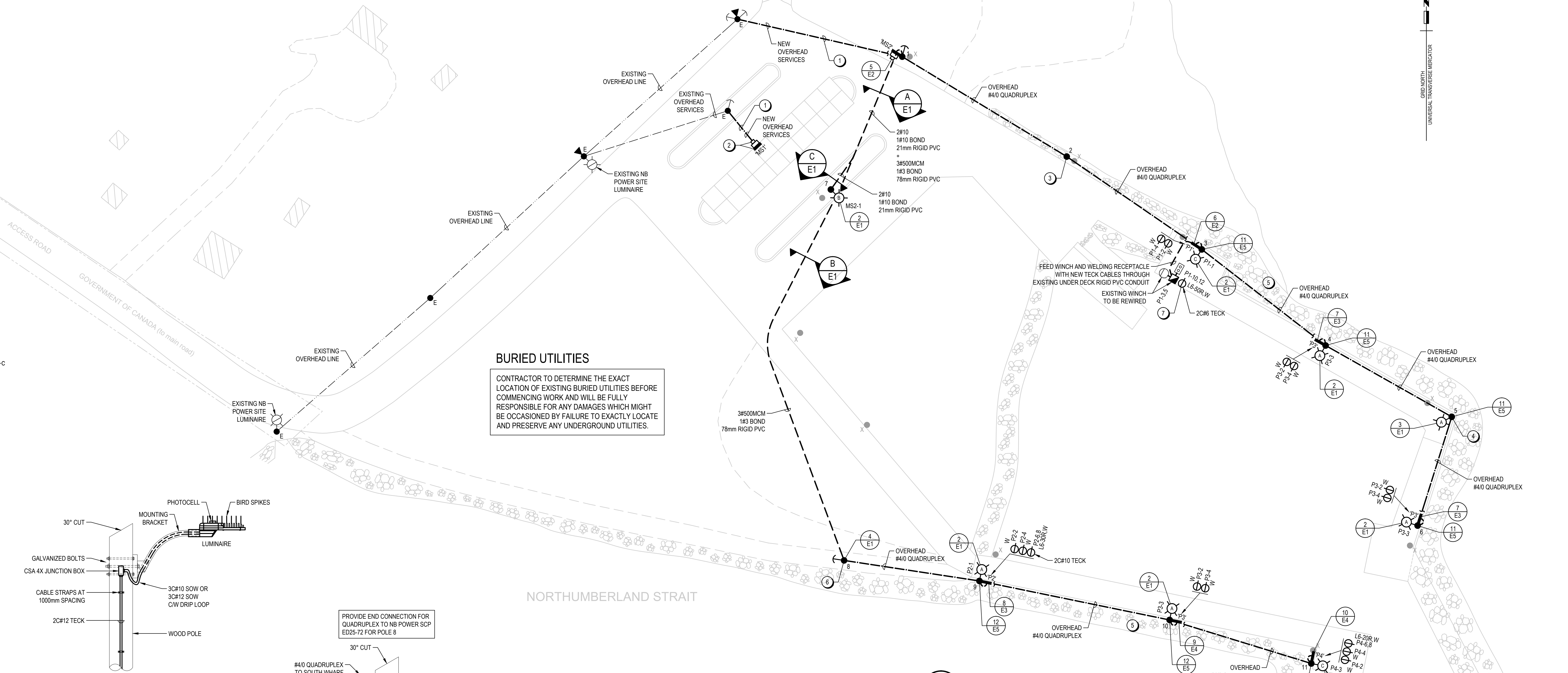
- LIGHT INDICATES EXISTING
- BOLD INDICATES NEW WORK

- SINGLE PHASE MOTOR
- MANUAL MOTOR STARTER
- PUSHBUTTON STATION
- DUPLEX RECEPTACLE
- SINGLE CSA TYPE L5-15R RECEPTACLE (TWISTLOCK): 50 - INDICATES SINGLE CSA TYPE 6-50R RECEPTACLE
- L6-20R - INDICATES SINGLE CSA TYPE L6-20R RECEPTACLE (TWISTLOCK)
- L6-30R - INDICATES SINGLE CSA TYPE L6-30R RECEPTACLE (TWISTLOCK)
- L6-50R - INDICATES SINGLE CSA TYPE L6-50R RECEPTACLE (TWISTLOCK)
- SITE LIGHTING LUMINAIRE ON WOOD POLE: A - INDICATES TYPE IN LUMINAIRE SCHEDULE
- EXISTING SITE LIGHTING LUMINAIRE ON WOOD POLE

BURIED UTILITIES

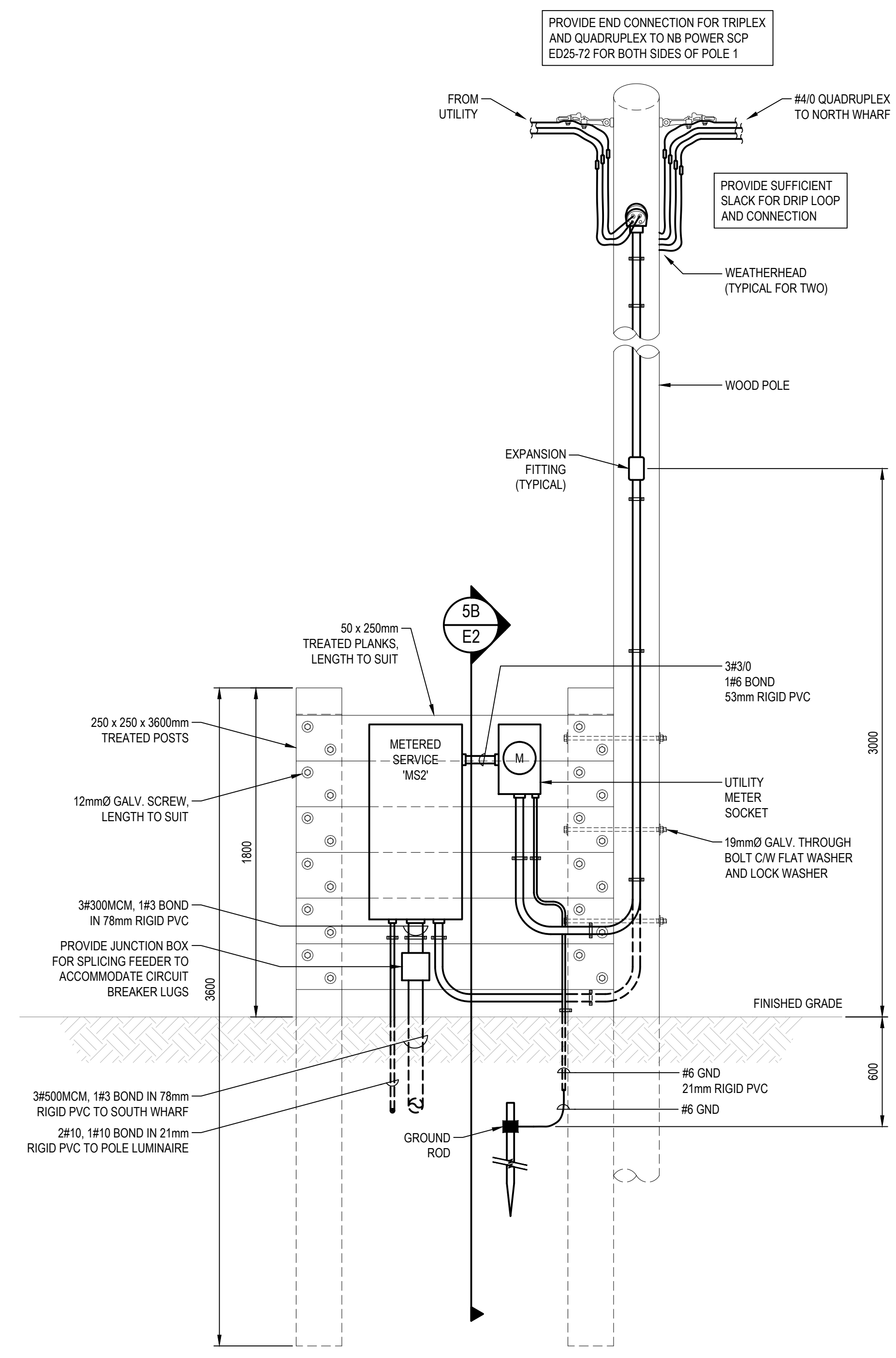
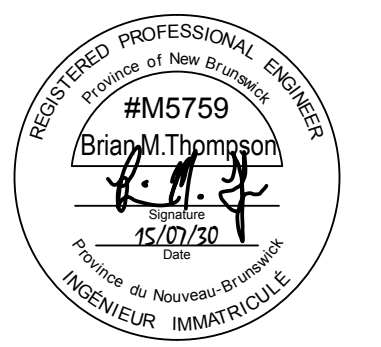
CONTRACTOR TO DETERMINE THE EXACT LOCATION OF EXISTING BURIED UTILITIES BEFORE COMMENCING WORK AND WILL BE FULLY RESPONSIBLE FOR ANY DAMAGES WHICH MIGHT BE OCCASIONED BY FAILURE TO EXACTLY LOCATE AND PRESERVE ANY UNDERGROUND UTILITIES.

NORTHUMBERLAND STRAIT

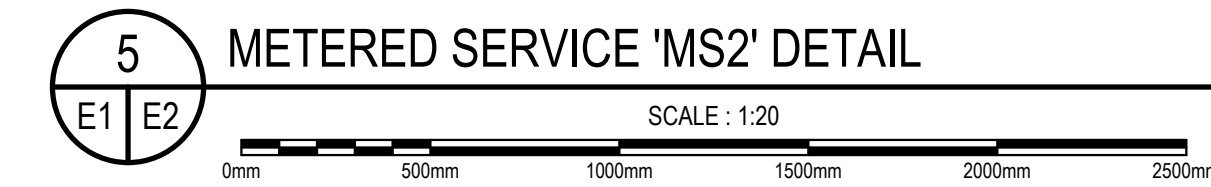


GÉNÉRALISTE UNIVERSAL TRANSDUCTION MÉTRIQUE

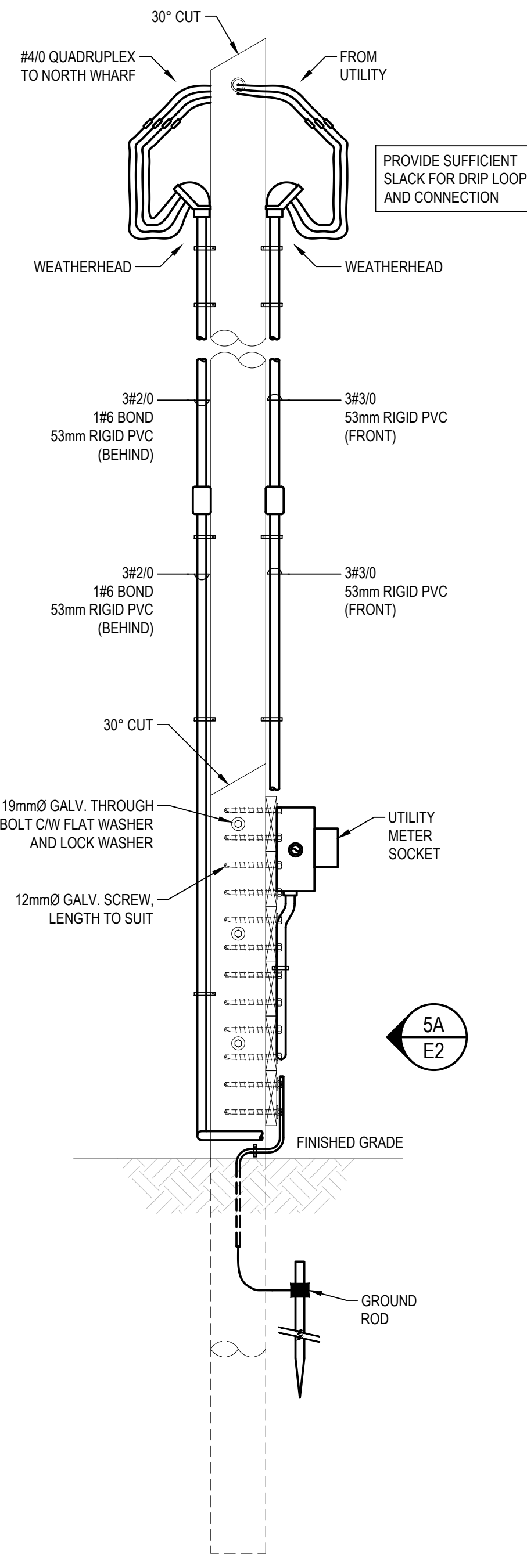
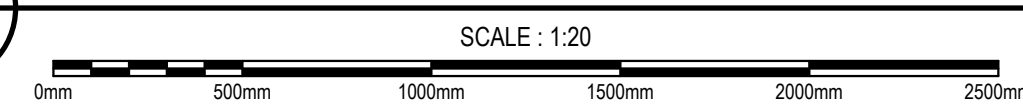
Documents prepared by Tek Consultants Limited as instruments of service shall remain the property of the design professional.
This design document is prepared solely for use by the party with whom Tek Consultants Limited has entered into an agreement and there are no representations of any kind made by the design professional to any party with whom the design professional has not entered into an agreement.



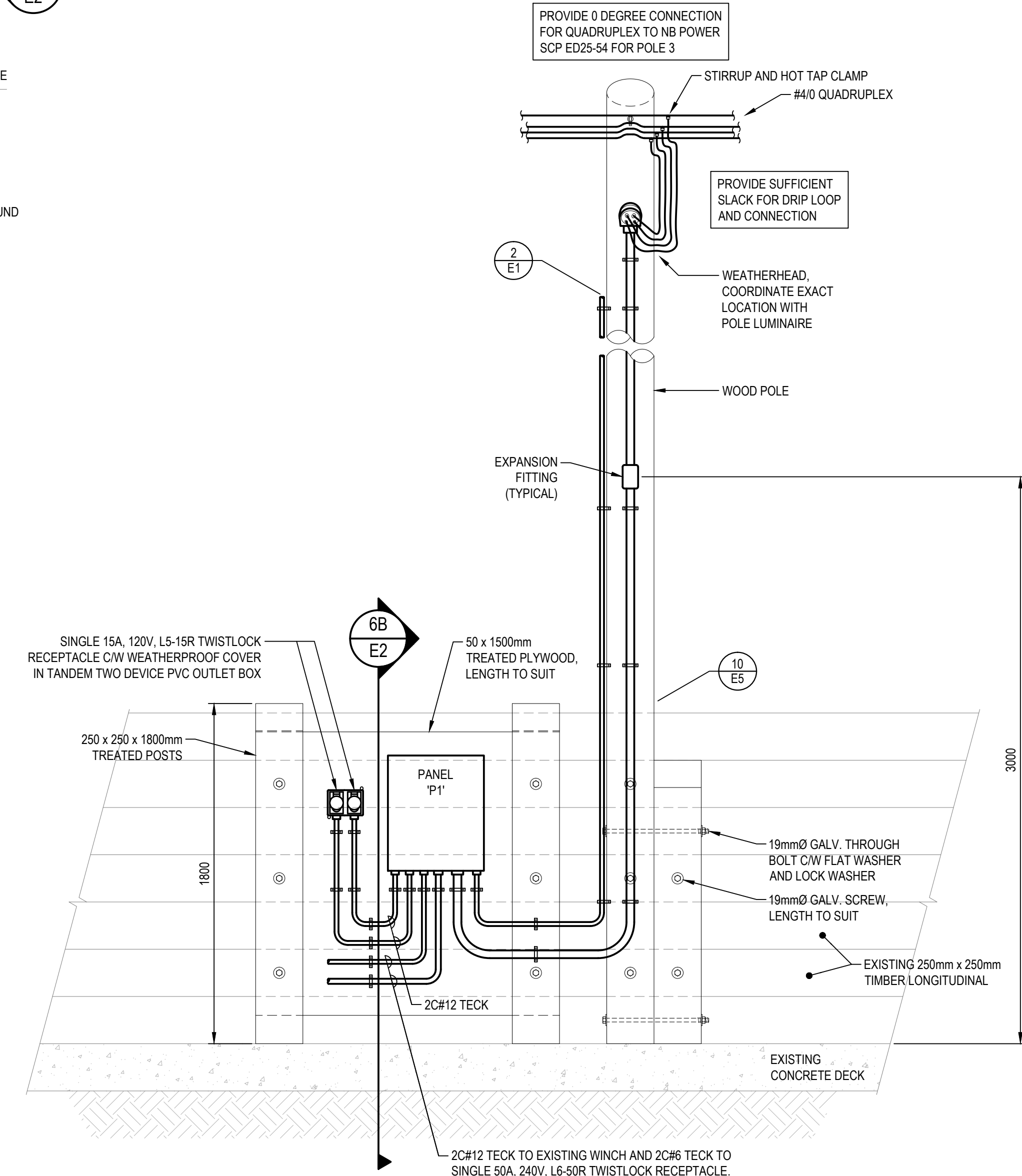
5A FRONT VIEW
E2



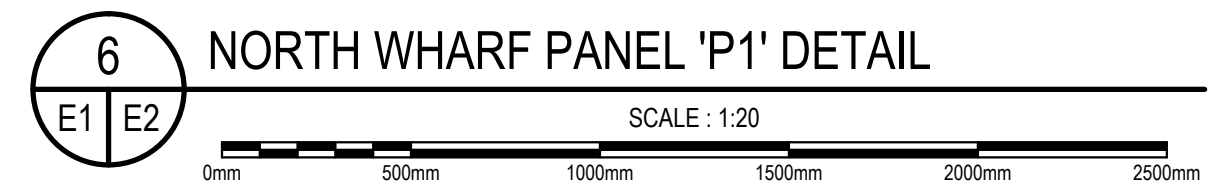
5 METERED SERVICE 'MS2' DETAIL



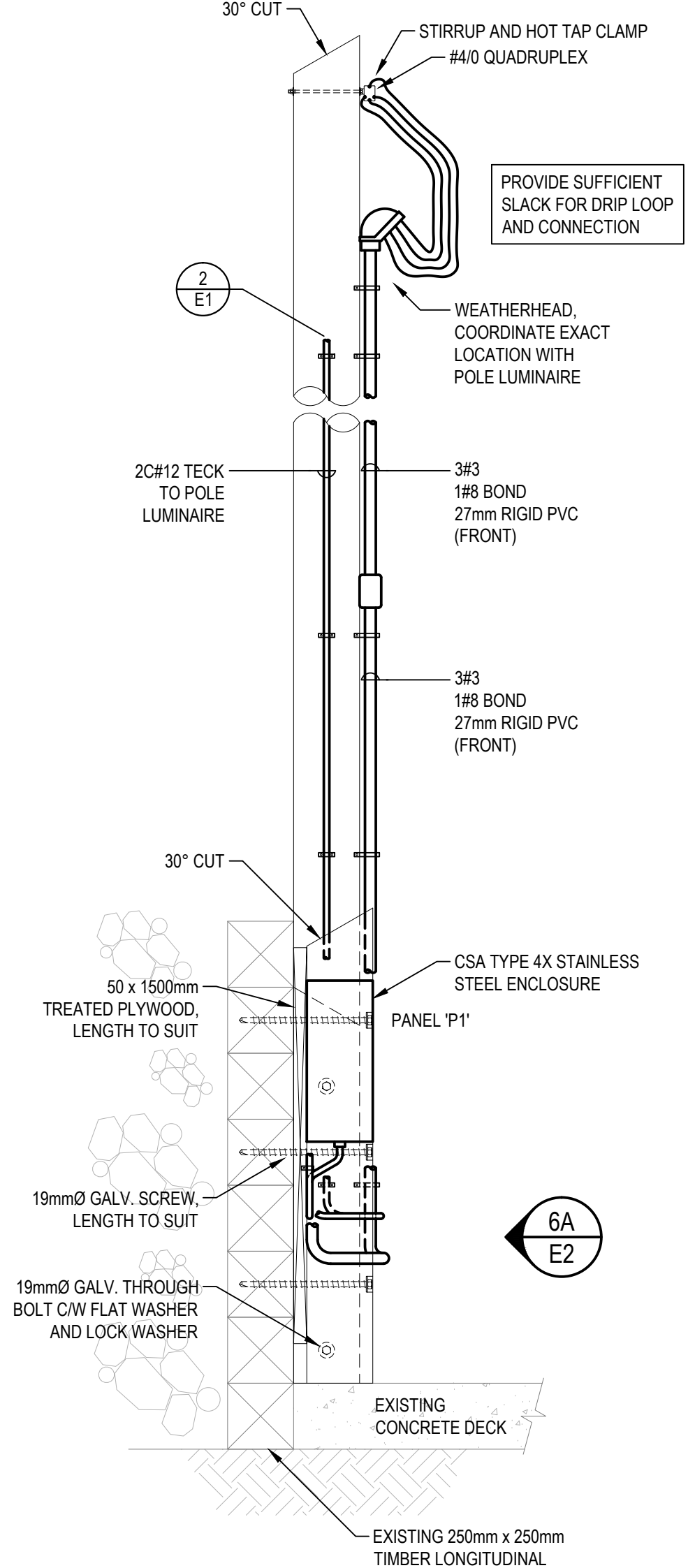
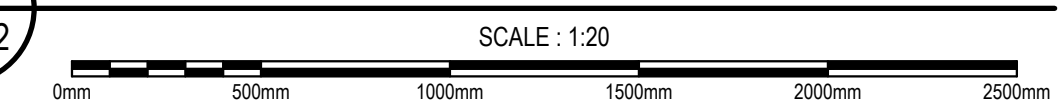
5B SIDE VIEW
E2



6A FRONT VIEW
E2



6 NORTH WHARF PANEL 'P1' DETAIL



6B SIDE VIEW
E2

0	ISSUED FOR TENDER	JUL 30 2015
revisions		date

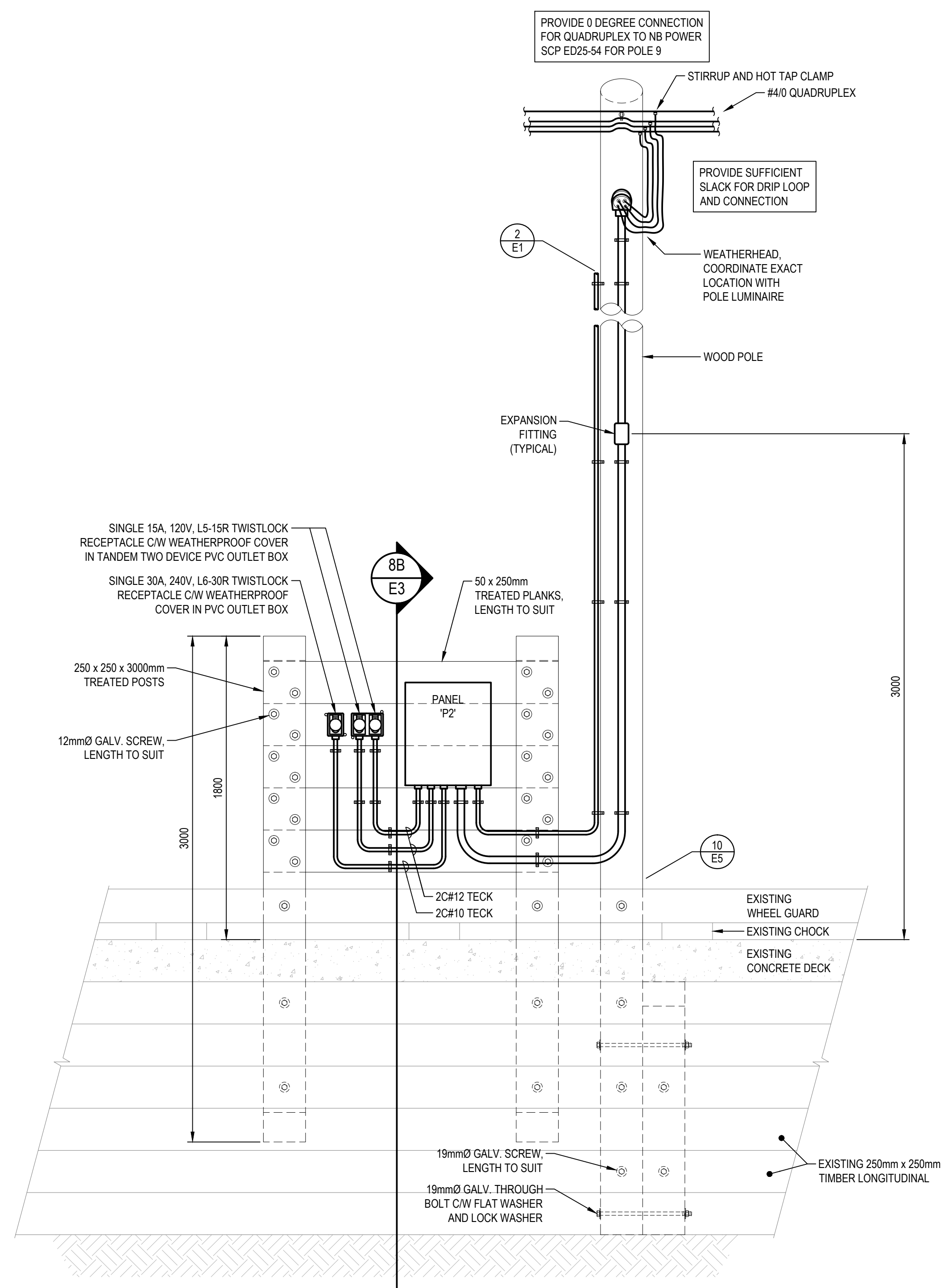
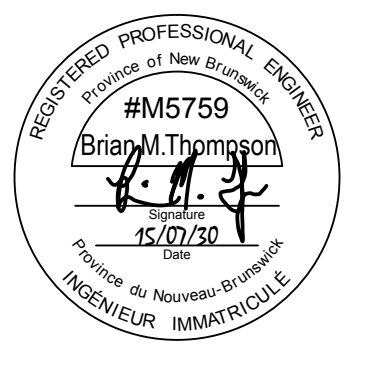
project
**ELECTRICAL UPGRADES
CAP-DES-CAISSIE
WHARF**
KENT CO., NB

drawing
**ELECTRICAL
DETAILS**
design

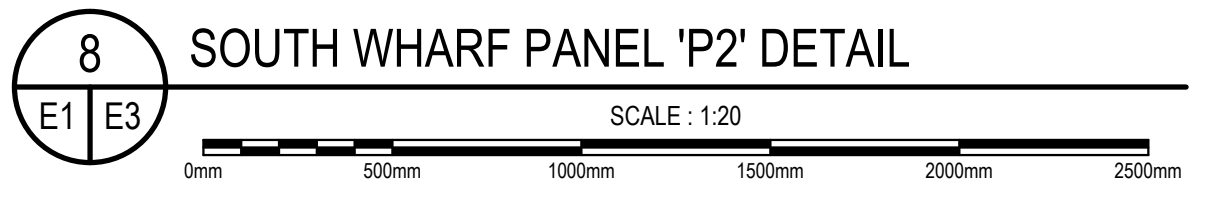
designed	BMT	conçu
date	JULY 2015	
drawn	DD	dessiné
date	JULY 2015	
approved	BMT	approuvé
date	JULY 2015	
Tender		Soumission
Project Manager	Administrateur de projets	no. du projet
		721541
drawing no.		no. du dessin
		E2 OF 7

Documents prepared by Tek Consultants Limited as instruments of service shall remain the property of the design professional.

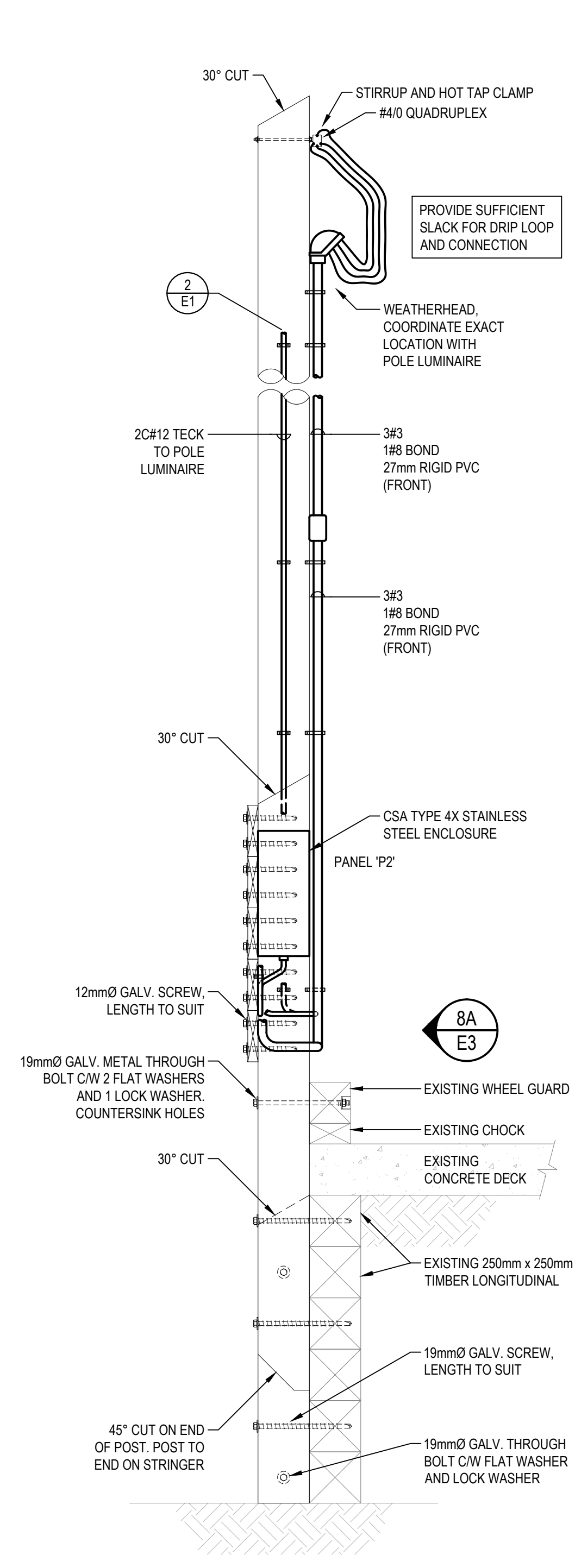
This design document is prepared solely for use by the party with whom Tek Consultants Limited has entered into an agreement and there are no representations of any kind made by the design professional to any party with whom the design professional has not entered into an agreement.



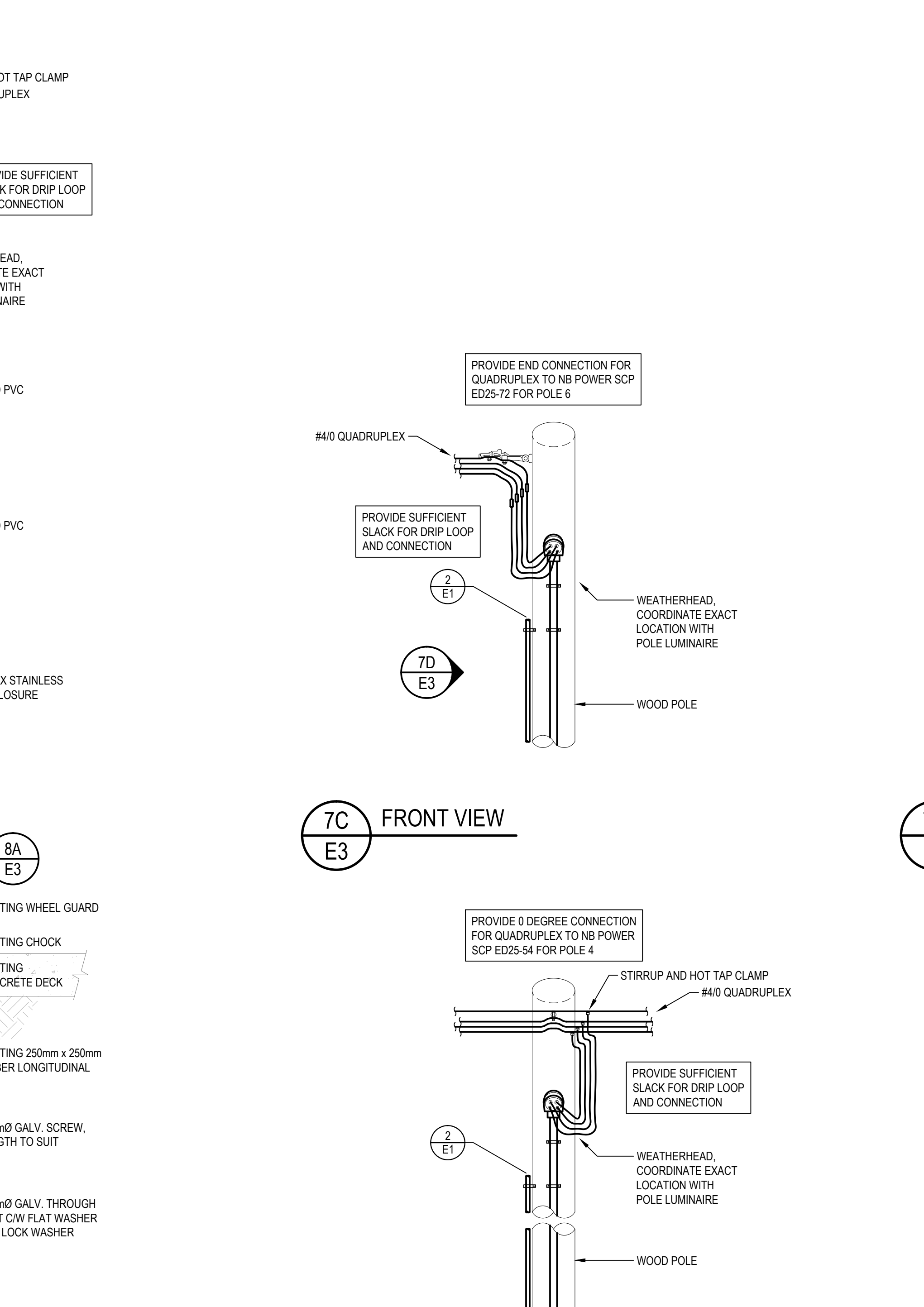
8A FRONT VIEW
E3



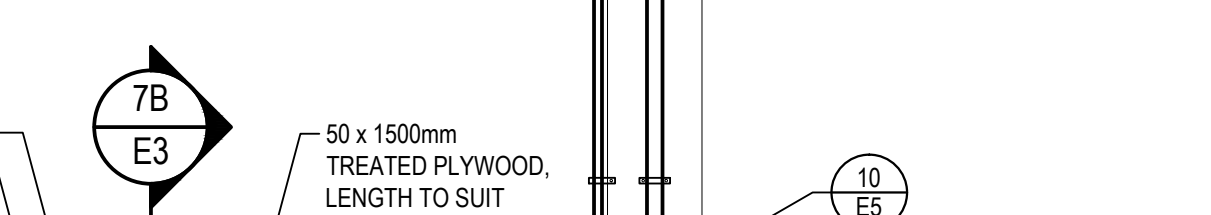
8 SOUTH WHARF PANEL 'P2' DETAIL
SCALE: 1:20



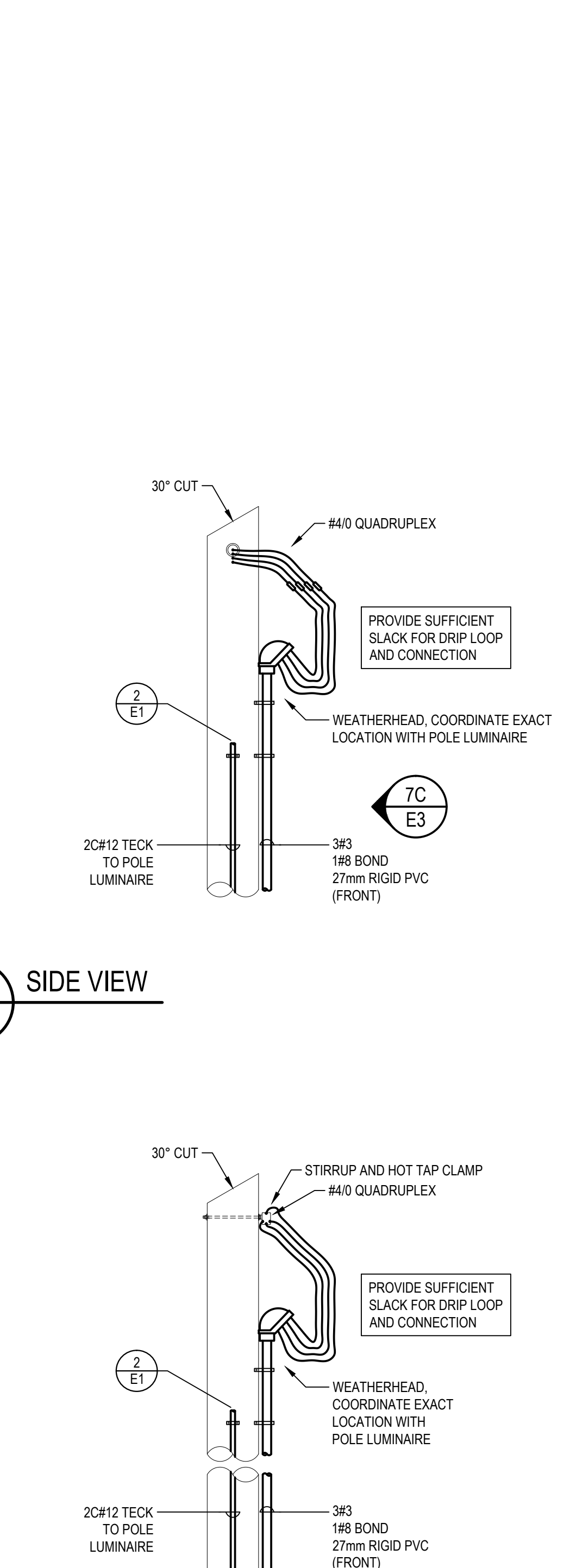
8B SIDE VIEW
E3



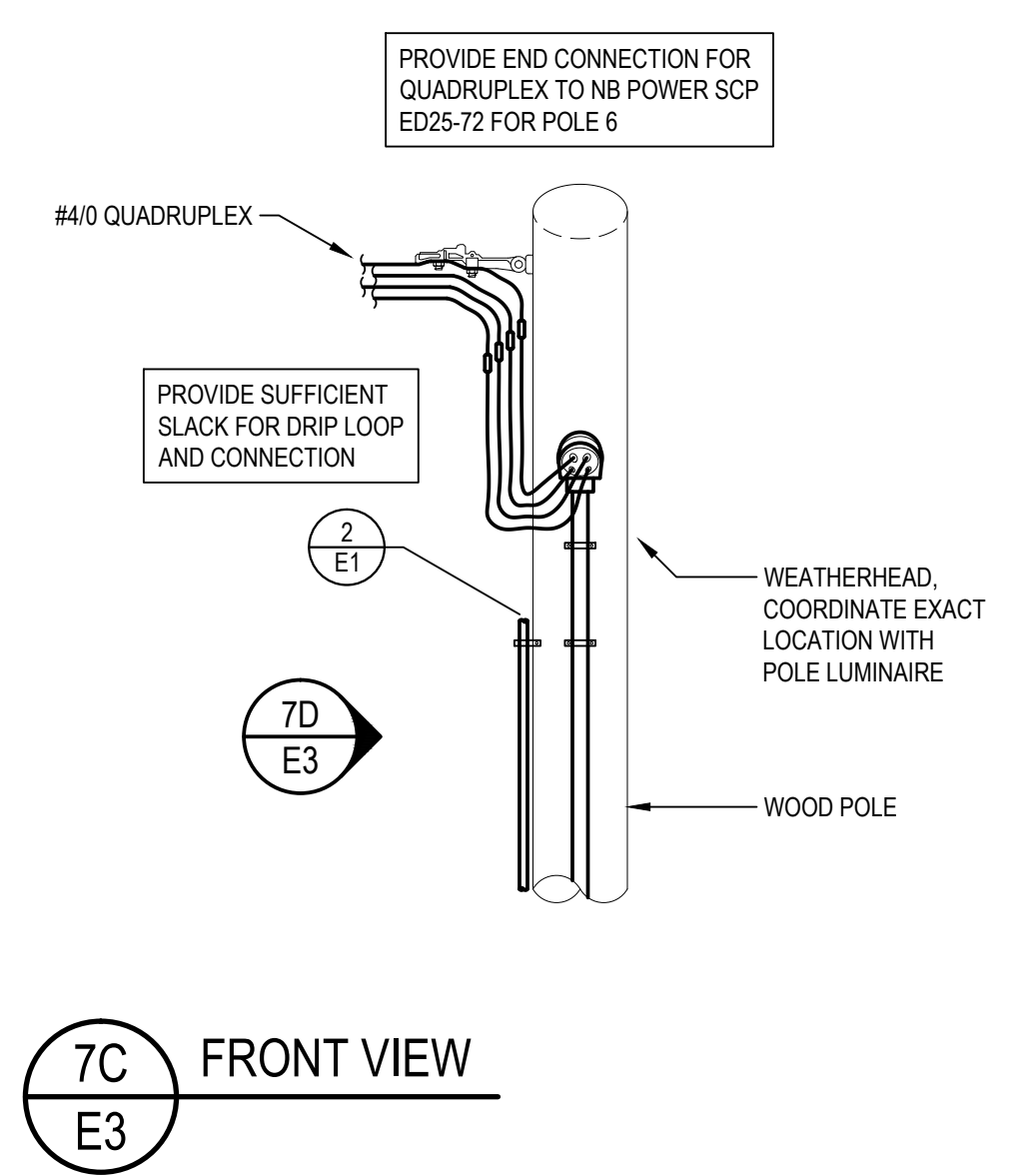
7A FRONT VIEW
E3



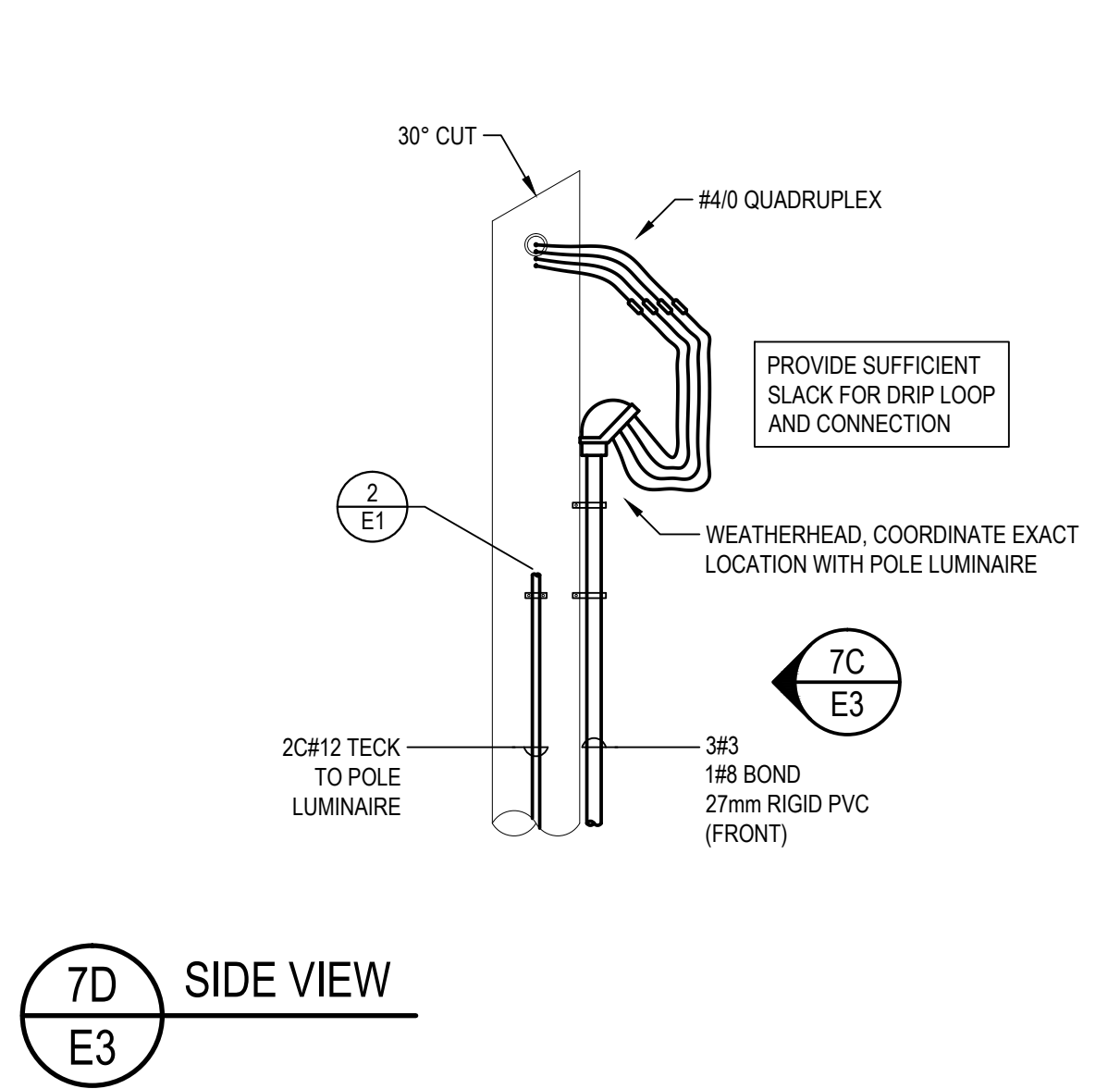
7 NORTH WHARF PANEL 'P3' DETAIL
SCALE: 1:20



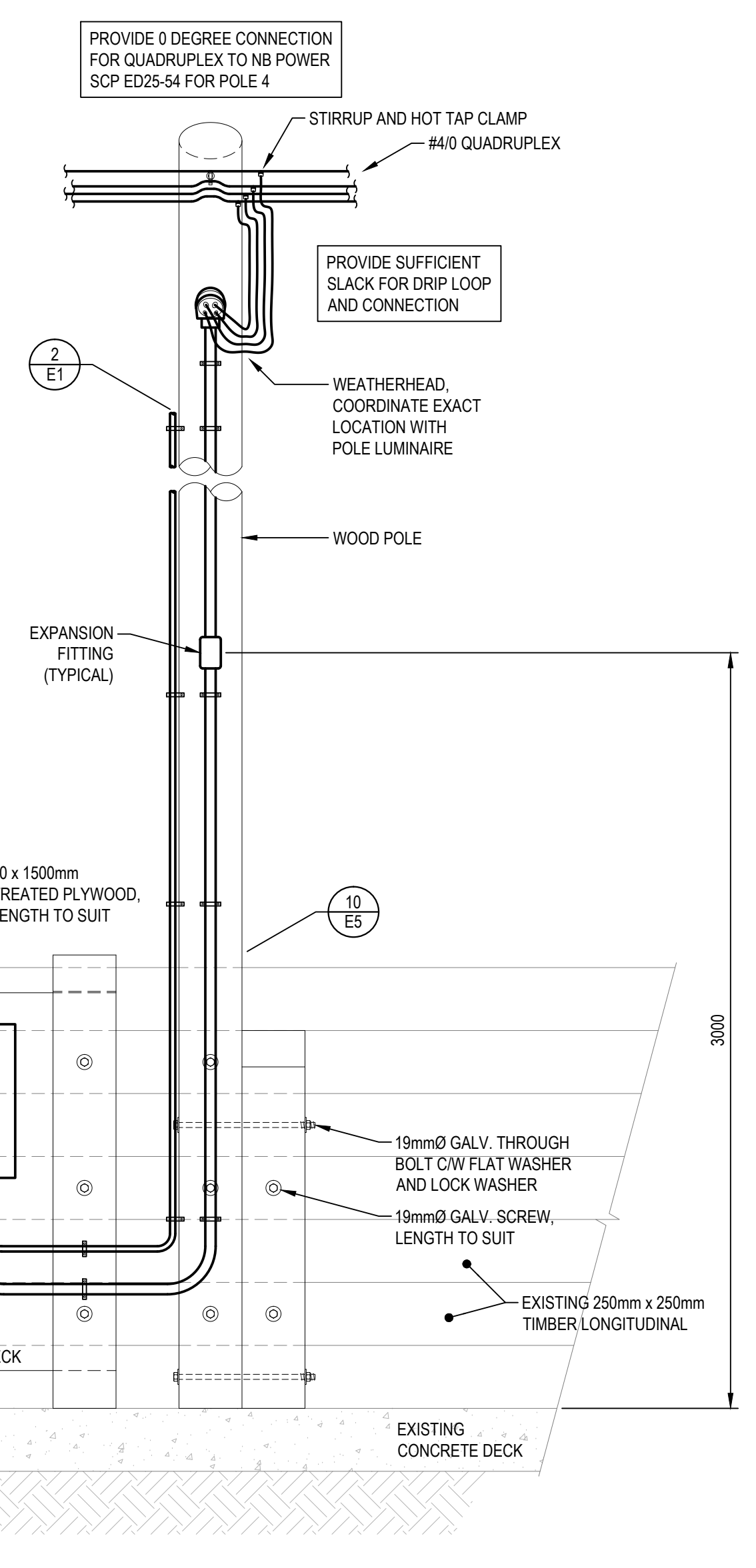
7B SIDE VIEW
E3



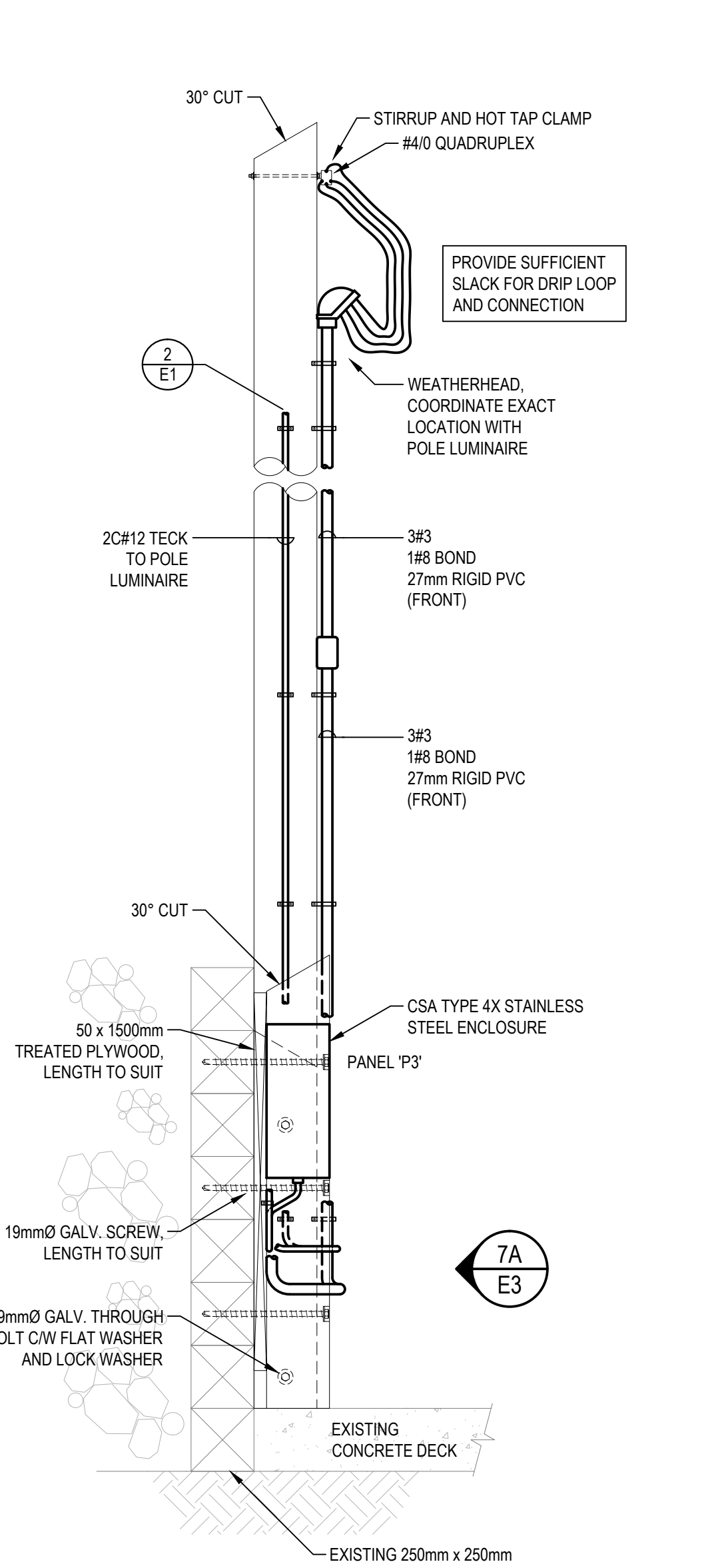
7C FRONT VIEW
E3



7D SIDE VIEW
E3



7A FRONT VIEW
E3



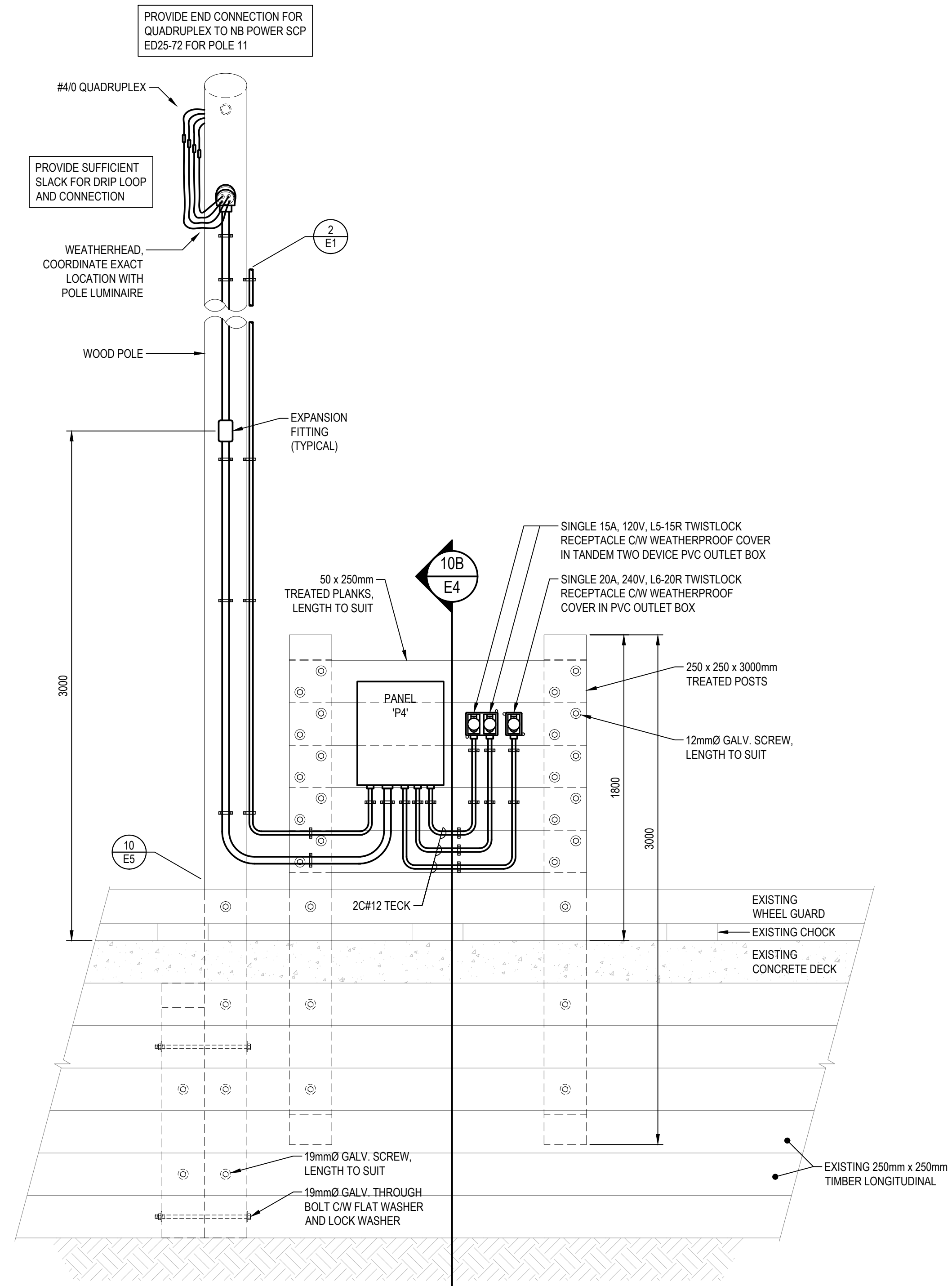
7B SIDE VIEW
E3

0	ISSUED FOR TENDER	JUL 30 2015
revisions		date

project	ELECTRICAL UPGRADES CAP-DES-CAISSIE WHARF	project
	KENT CO., NB	

drawing	ELECTRICAL DETAILS	design
designed	BMT	conçu
date	JULY 2015	
drawn	DD	dessiné
date	JULY 2015	
approved	BMT	approuvé
date	JULY 2015	
Tender		Soumission
Project Manager	Administrateur de projets	no. du projet
	721541	
drawing no.	E3 OF 7	no. du dessin

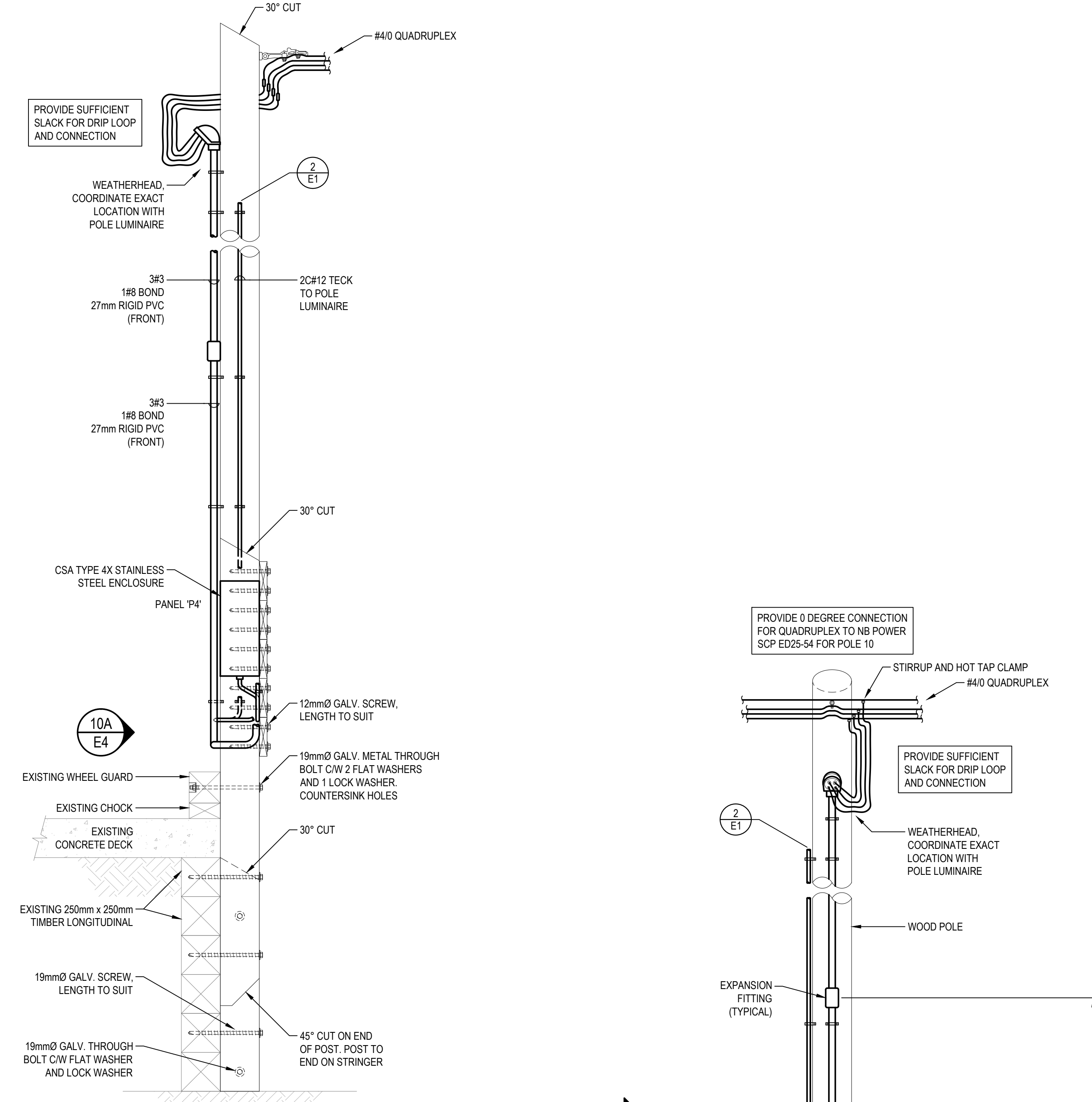
Documents prepared by Tek Consultants Limited as instruments of service shall remain the property of the design professional.
This design document is prepared solely for use by the party with whom Tek Consultants Limited has entered into an agreement and there are no representations of any kind made by the design professional to any party with whom the design professional has not entered into an agreement.



10A FRONT VIEW
E4

10B SIDE VIEW
E4

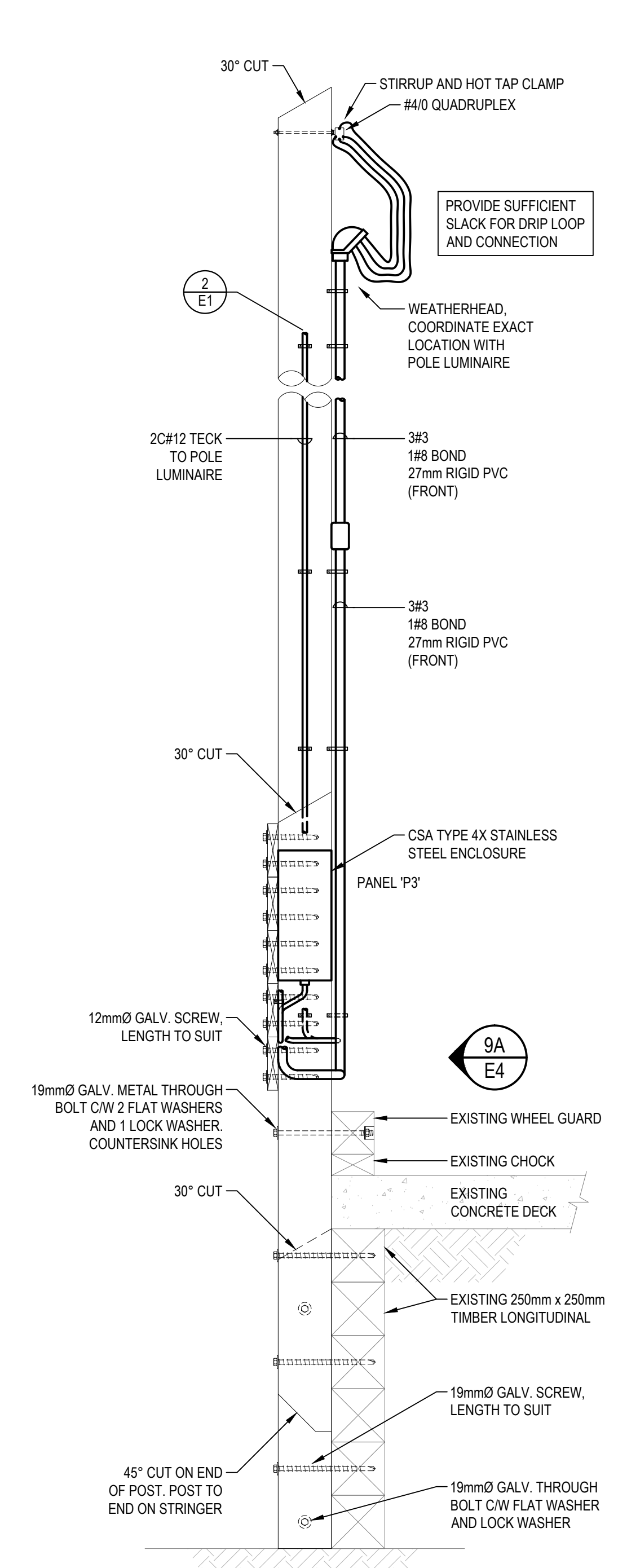
10 SOUTH WHARF PANEL 'P4' DETAIL
SCALE: 1:20



9A FRONT VIEW
E4

9B SIDE VIEW
E4

9 SOUTH WHARF PANEL 'P3' DETAIL
SCALE: 1:20



9A FRONT VIEW
E4

9B SIDE VIEW
E4

9 SOUTH WHARF PANEL 'P3' DETAIL
SCALE: 1:20

0	ISSUED FOR TENDER	JUL 30 2015
revisions		date

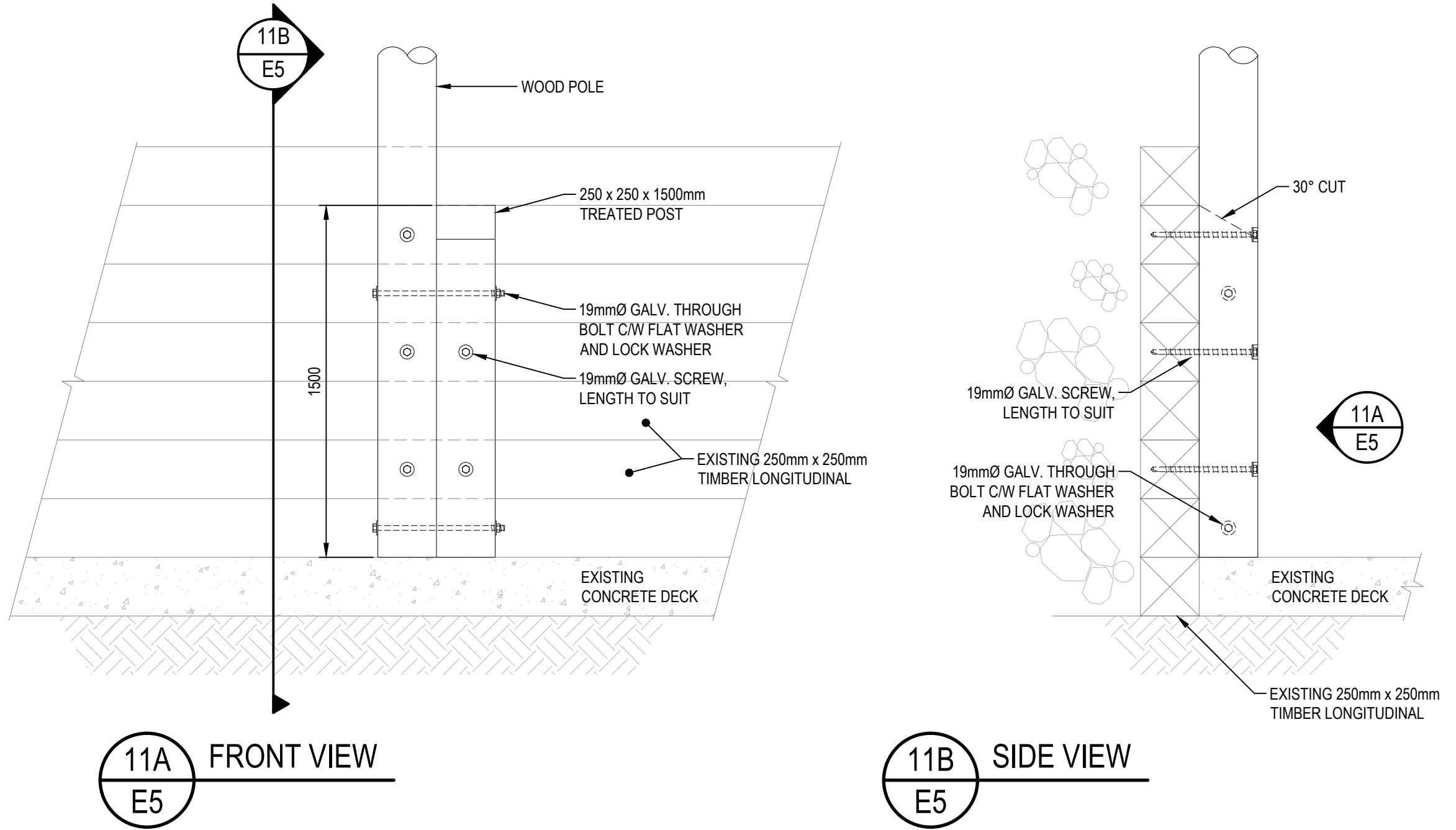
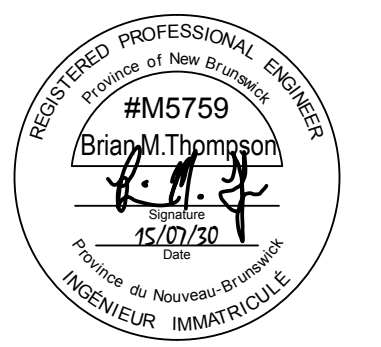
project
**ELECTRICAL UPGRADES
CAP-DES-CAISSIE
WHARF**
KENT CO., NB

drawing
**ELECTRICAL
DETAILS**
designé

designed BMT	conçu
date JULY 2015	
drawn DD	dessiné
date JULY 2015	
approved BMT	approuvé
date JULY 2015	
Tender	Soumission

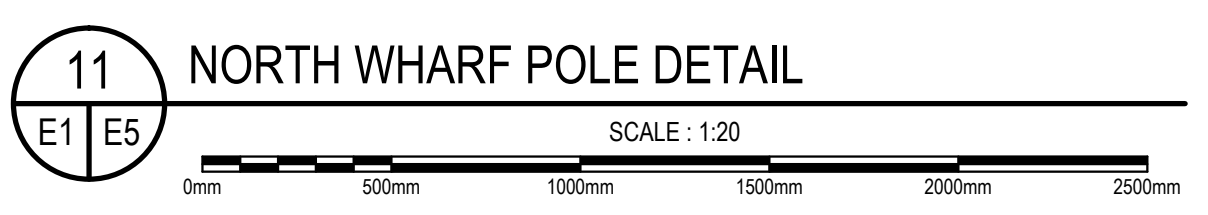
Project Manager Administrateur de projets
project number no. du projet
721541
drawing no. no. du dessin
E4 OF 7

Documents prepared by Tek Consultants Limited as instruments of service shall remain the property of the design professional.
 This design document is prepared solely for use by the party with whom Tek Consultants Limited has entered into an agreement and there are no representations of any kind made by the design professional to any party with whom the design professional has not entered into an agreement.

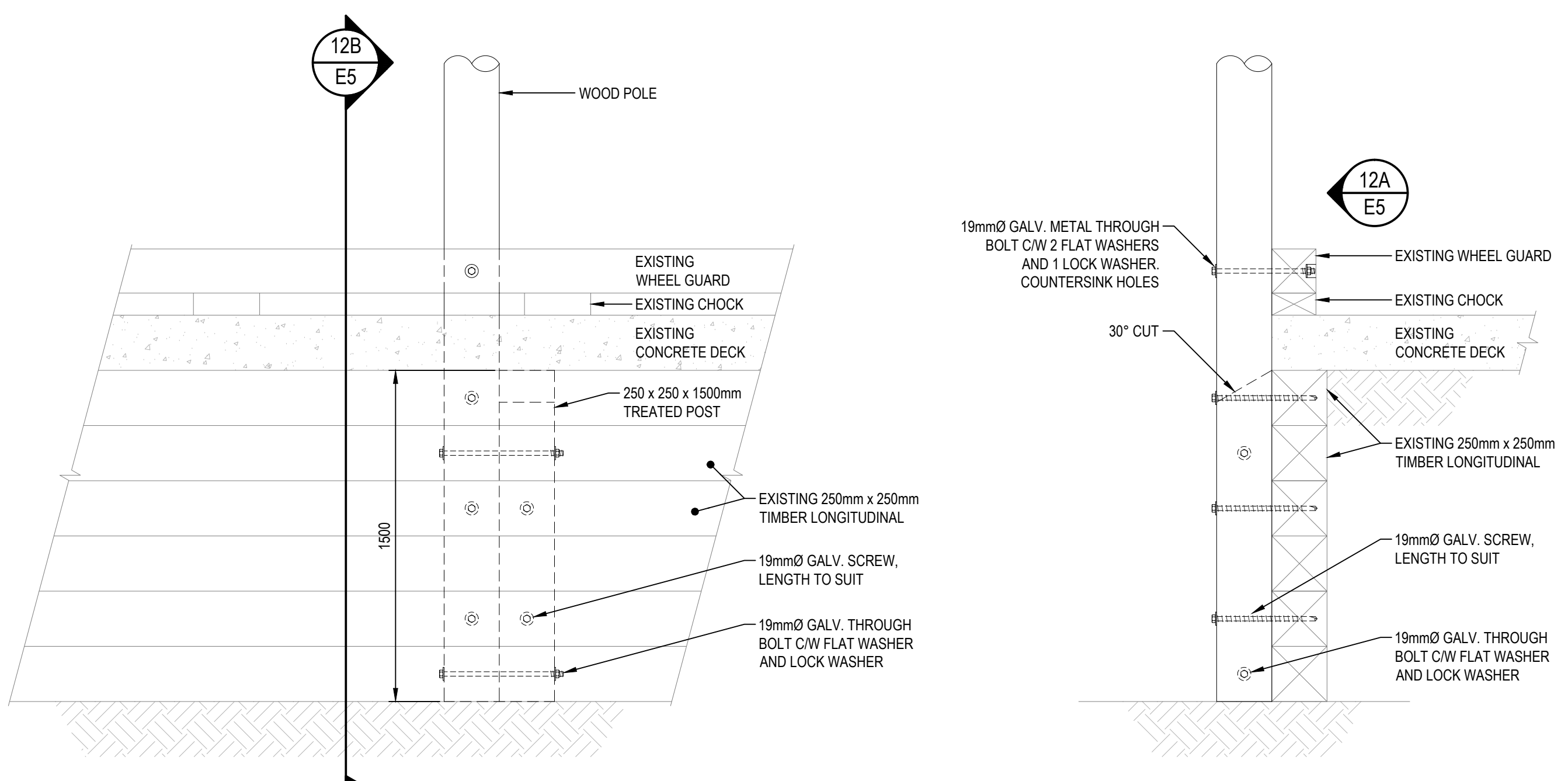


11A FRONT VIEW
E5

11B SIDE VIEW
E5

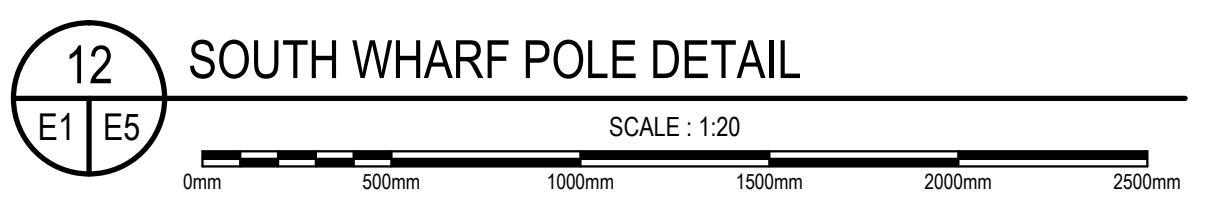


11 NORTH WHARF POLE DETAIL
E1 E5



12A FRONT VIEW
E5

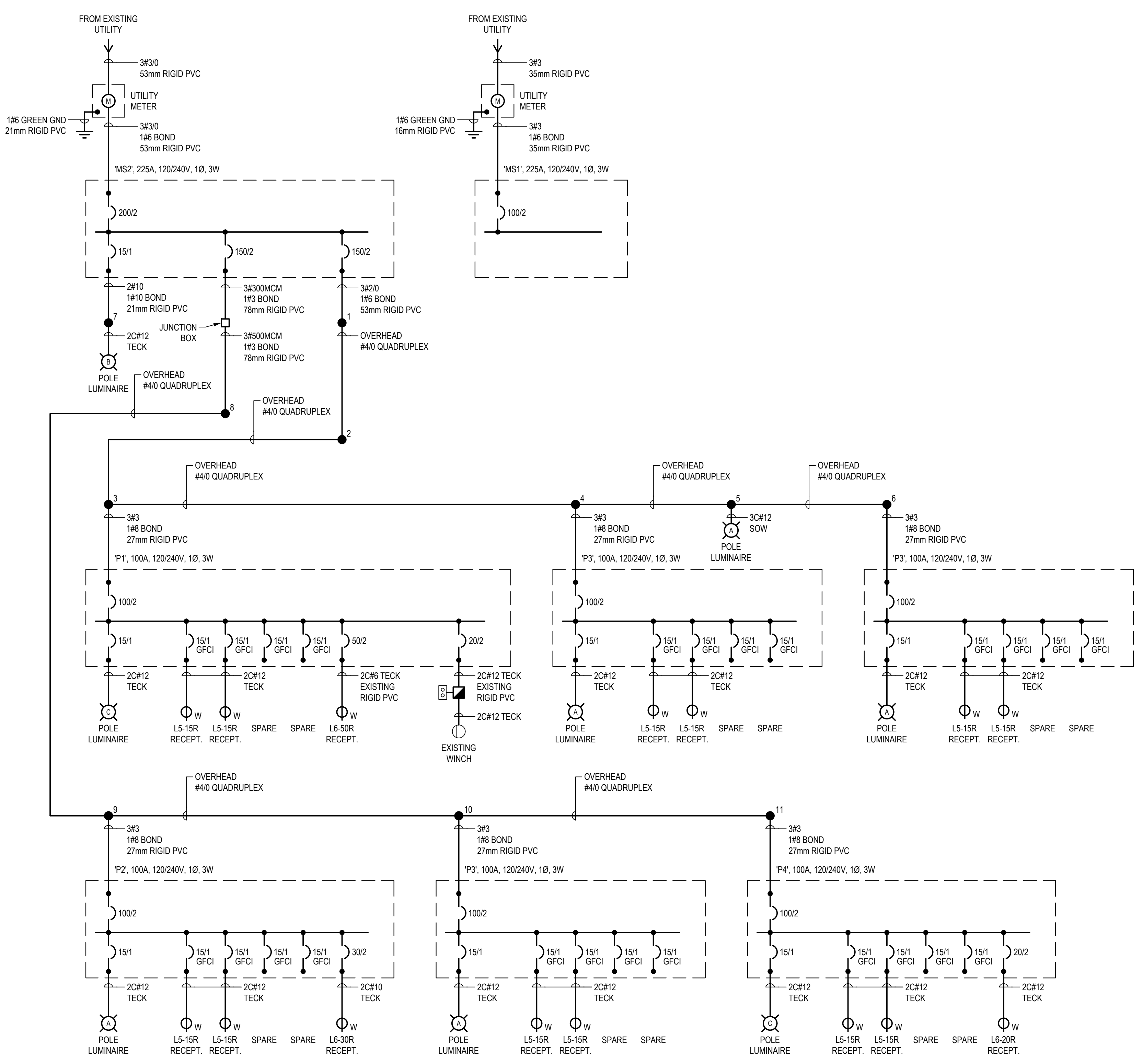
12B SIDE VIEW
E5



12 SOUTH WHARF POLE DETAIL
E1 E5

DEMAND CALCULATION
C.E.C. SECTION 78-056, WHARVES

(1) (a)	100% OF FIRST 4 RECEPTACLES: (1 x 50A x 240V) + (1 x 30A x 240V) + (1 x 20A x 240V) + (1 x 15A x 120V) =	25.8kW x 1.00 = 25.8kW	
(b)	65% OF NEXT 4 RECEPTACLES: (4 x 15A x 120V) =	7.2kW x 0.65 = 4.7kW	
(c)	50% OF NEXT 5 RECEPTACLES: (5 x 15A x 120V) =	9kW x 0.50 = 4.5kW	
(d)	25% OF REMAINING 5 RECEPTACLES: (2 x 15A x 120V) =	3.6kW x 0.25 = 0.9kW	
SUB-TOTAL = 25.8kW + 4.7kW + 4.5kW + 0.9kW =		35.9kW	
SITE LIGHTING =		1.7kW	
WINCH =		3.9kW	
TOTAL = 35.9kW + 1.7kW + 3.9kW =		41.5kW	
		41.5kW ÷ 240V =	172.9A



1 POWER DISTRIBUTION SINGLE LINE DIAGRAM
 SCALE: N.T.S.

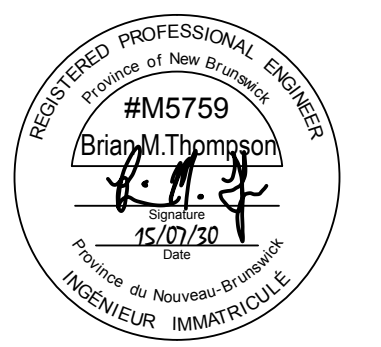
0	ISSUED FOR TENDER	JUL 30 2015
revisions		date

project
**ELECTRICAL UPGRADES
 CAP-DES-CAISSIE
 WHARF**
 KENT CO., NB

drawing
**ELECTRICAL DETAILS
 AND POWER
 DISTRIBUTION
 SINGLE LINE
 DIAGRAM**
 design

designed BMT	conçu
date JULY 2015	
drawn DD	dessiné
date JULY 2015	
approved BMT	approuvé
date JULY 2015	
Tender	Soumission
Project Manager	Administrateur de projets
project number	no. du projet
721541	
drawing no.	no. du dessin
E5 OF 7	

Documents prepared by Tek Consultants Limited as instruments of service shall remain the property of the design professional.
This design document is prepared solely for use by the party with whom Tek Consultants Limited has entered into an agreement and there are no representations of any kind made by the design professional to any party with whom the design professional has not entered into an agreement.



POWER SUPPLY: 120/240V, 1ø, 3w
MAINS: 100A, 100A MAIN BREAKER
NUMBER OF CCTS: 30

PANEL: "MS1" MOUNTING SURFACE: LOCATION: BAIT SHED
REMARKS: CSA 4X STAINLESS STEEL ENCLOSURE

DESCRIPTION	WATTAGE		# P	BKR AMP	CIRCUIT	BKR AMP	# P	WATTAGE		DESCRIPTION
	A	B						A	B	
PUMP ROOM			1	15	1 a 2	15	1			SHED 16,17
SHED 2			1	15	3 b 4	15	1			SHED 12,13
SHED 1,3,11			1	15	5 a 6	15	1			SHED 14,15
SHED 4,5			1	15	7 b 8	15	1			SHED 6,7
WATER PUMP			1	20	9 a 10	20	1			SHED 8,9
					11 b 12	20	1			SHED 10,20
					13 a 14	20	1			SHED 18,19
					15 b 16					
					17 a 18					
					19 b 20					
					21 a 22					
					23 b 24					
					25 a 26					
					27 b 28					
					29 a 30					
PHASE LOADS:										
TOTAL LOAD:										
TOTAL PHASE LOADS										(*) - SWITCHING BREAKER (GFCI) - GROUND FAULT CIRCUIT INTERRUPT (+) - LOCKING BREAKER
CURRENT (A) @ 240V:										

POWER SUPPLY: 120/240V, 1Ø, 3W
MAINS: 100A, 100A MAIN BREAKER
NUMBER OF CCTS: 12

PANEL: "PZ" MOUNTING SURFACE EXTERIOR
LOCATION: REMARKS: CSA 4X STAINLESS STEEL ENCLOSURE

DESCRIPTION	WATTAGE		# P	BKR AMP	CIRCUIT	BKR AMP	# P	WATTAGE		DESCRIPTION
	A	B						A	B	
SITE LIGHTING POLE LUMINAIRE	200		1	15	1 a 2	15	1	1440		RECEPTACLE (GFCI)
					3 b 4	15	1	1440		RECEPTACLE (GFCI)
					5 a 6	30	2	2880		WELDING RECEPTACLE
					7 b 8	15	1	2880		SPARE (GFCI)
					9 a 10	15	1			SPARE (GFCI)
					11 b 12	15	1			
PHASE LOADS:	200							4320	4320	
TOTAL LOAD:	8840									
TOTAL PHASE LOADS	4520	4320								(*) - SWITCHING BREAKER (GFCI) - GROUND FAULT CIRCUIT INTERRUPT (+) - LOCKING BREAKER
CURRENT (A) @ 240V:	37									

POWER SUPPLY: 120/240V, 1Ø, 3W
MAINS: 225A, 200A MAIN BREAKER
NUMBER OF CCTS: 18

PANEL: "MSZ" MOUNTING SURFACE: LOCATION: METERED SERVICE #2 BACKBOARD
REMARKS: CSA 4X STAINLESS STEEL ENCLOSURE

DESCRIPTION	WATTAGE		# P	BKR AMP	CIRCUIT	BKR AMP	# P	WATTAGE		DESCRIPTION
	A	B						A	B	
NORTH WHARF	9420	9420	2	150	1 a 2	150	2	9420	9420	SOUTH WHARF
SITE LIGHTING POLE LUMINAIRE	200		1	15	3 b 4	15	1	9420		SPARE
					5 a 6	15	1			SPARE
					7 b 8	15	1			SPARE
					9 a 10	15	1			
					11 b 12					
					13 a 14					
					15 b 16					
					17 a 18					
PHASE LOADS:	9620	9420						9420	9420	
TOTAL LOAD:	37880									
TOTAL PHASE LOADS	19040	18840								(*) - SWITCHING BREAKER (GFCI) - GROUND FAULT CIRCUIT INTERRUPT (+) - LOCKING BREAKER
CURRENT (A) @ 240V:	158									

POWER SUPPLY: 120/240V, 1Ø, 3W
MAINS: 100A, 100A MAIN BREAKER
NUMBER OF CCTS: 12

PANEL: "P3" MOUNTING SURFACE EXTERIOR
LOCATION: REMARKS: CSA 4X STAINLESS STEEL ENCLOSURE

DESCRIPTION	WATTAGE		# P	BKR AMP	CIRCUIT	BKR AMP	# P	WATTAGE		DESCRIPTION
	A	B						A	B	
SITE LIGHTING POLE LUMINAIRE	200		1	15	1 a 2	15	1	1440		RECEPTACLE (GFCI)
					3 b 4	15	1	1440		RECEPTACLE (GFCI)
					5 a 6	15	1			SPARE (GFCI)
					7 b 8	15	1			SPARE (GFCI)
					9 a 10					
					11 b 12					
PHASE LOADS:	200							1440	1440	
TOTAL LOAD:	3080									
TOTAL PHASE LOADS	1440	1640								(*) - SWITCHING BREAKER (GFCI) - GROUND FAULT CIRCUIT INTERRUPT (+) - LOCKING BREAKER
CURRENT (A) @ 240V:	13									

POWER SUPPLY: 120/240V, 1Ø, 3W
MAINS: 100A, 100A MAIN BREAKER
NUMBER OF CCTS: 12

PANEL: "P1" MOUNTING SURFACE EXTERIOR
LOCATION: REMARKS: CSA 4X STAINLESS STEEL ENCLOSURE

DESCRIPTION	WATTAGE		# P	BKR AMP	CIRCUIT	BKR AMP	# P	WATTAGE		DESCRIPTION
	A	B						A	B	
SITE LIGHTING POLE LUMINAIRE	200	1920	1	15	1 a 2	15	1	1440		RECEPTACLE (GFCI)
WINCH	1920		2	20	3 b 4	15	1	1440		RECEPTACLE (GFCI)
					5 a 6	15	1			SPARE (GFCI)
					7 b 8	15	1			SPARE (GFCI)
					9 a 10	50	2	2880		WELDING RECEPTACLE
					11 b 12			2880		
PHASE LOADS:	2120	1920						4320	4320	
TOTAL LOAD:	12680									
TOTAL PHASE LOADS	6440	6240								(*) - SWITCHING BREAKER (GFCI) - GROUND FAULT CIRCUIT INTERRUPT (+) - LOCKING BREAKER
CURRENT (A) @ 240V:	53									

POWER SUPPLY: 120/240V, 1Ø, 3W
MAINS: 100A, 100A MAIN BREAKER
NUMBER OF CCTS: 12

PANEL: "P4" MOUNTING SURFACE EXTERIOR
LOCATION: REMARKS: CSA 4X STAINLESS STEEL ENCLOSURE

DESCRIPTION	WATTAGE		# P	BKR AMP	CIRCUIT	BKR AMP	# P	WATTAGE		DESCRIPTION
	A	B						A	B	
SITE LIGHTING POLE LUMINAIRE	200		1	15	1 a 2	15	1	1440		RECEPTACLE (GFCI)
					3 b 4	15	1	1440		RECEPTACLE (GFCI)
					5 a 6	20	2	1920		RECEPTACLE
					7 b 8	15	1	1920		SPARE (GFCI)
					9 a 10	15	1			SPARE (GFCI)
					11 b 12	15	1			
PHASE LOADS:	200							3360	3360	
TOTAL LOAD:	6920									
TOTAL PHASE LOADS	3360	3560								(*) - SWITCHING BREAKER (GFCI) - GROUND FAULT CIRCUIT INTERRUPT (+) - LOCKING BREAKER
CURRENT (A) @ 240V:	29									

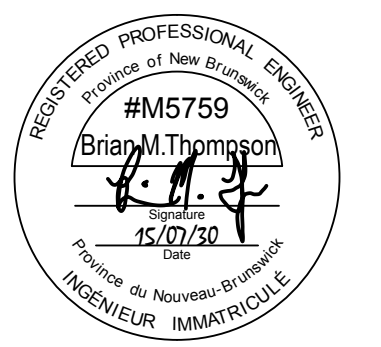
0	ISSUED FOR TENDER	JUL 30 2015
revisions		date

project project
**ELECTRICAL UPGRADES
CAP-DES-CAISSIE
WHARF**
KENT CO., NB

drawing dessin
**ELECTRICAL
PANEL
SCHEDULES**

designed BMT	conçu
date JULY 2015	
drawn DD	dessiné
date JULY 2015	
approved BMT	approuvé
date JULY 2015	
Tender	Soumission
Project Manager	Administrateur de projets
project number	no. du projet
721541	
drawing no.	no. du dessin
E6 OF 7	

Documents prepared by Tek Consultants Limited as instruments of service shall remain the property of the design professional.
This design document is prepared solely for use by the party with whom Tek Consultants Limited has entered into an agreement and there are no representations of any kind made by the design professional to any party with whom the design professional has not entered into an agreement.

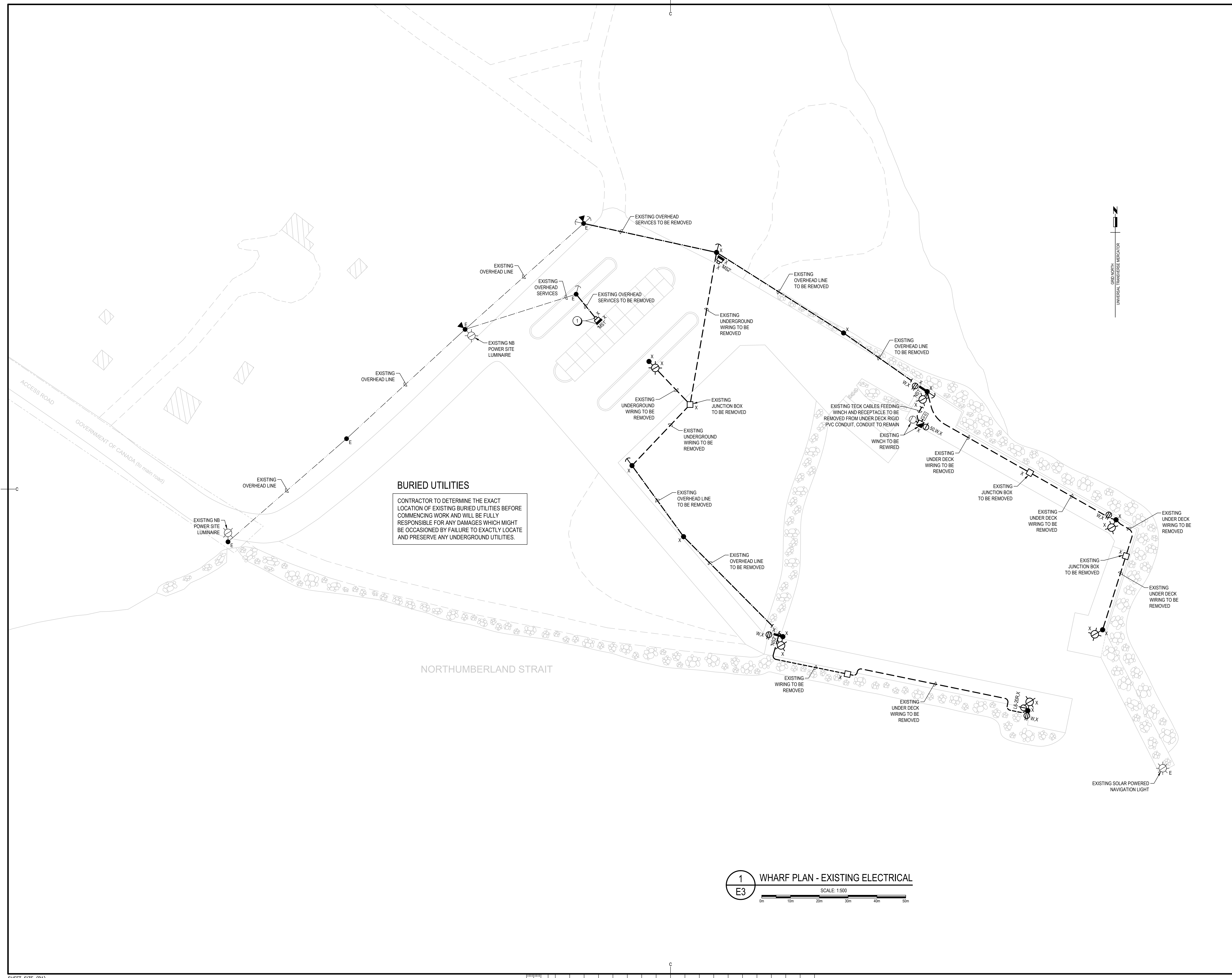


GENERAL NOTES:

- EXISTING PLAN IS ISSUED FOR INFORMATION ONLY AND SHOW MAJOR ITEMS ONLY. CONTRACTOR TO EXAMINE ELECTRICAL DRAWINGS, VISIT THE SITE TO VERIFY EXISTING EQUIPMENT AND CONDITIONS AND SCOPE OF WORK INVOLVED IN DEMOLITION PRIOR TO SUBMITTING A TENDER. EXTRAS WILL NOT BE CONSIDERED BECAUSE ACTUAL CONDITIONS DIFFER FROM DRAWINGS AND ALL COSTS RELATING TO EXISTING SITE CONDITIONS MUST BE INCLUDED IN TOTAL TENDERED PRICE.
- SITE IS TO REMAIN OPERATIONAL FOR FISHERMEN DURING RENOVATION. INSTALL NEW WORK WHILE MAINTAINING EXISTING ELECTRICAL. ONCE FISHING SEASON IS FINISHED, REMOVE EXISTING ELECTRICAL MADE OBSOLETE INCLUDING CONDUIT AND WIRING.
- ARRANGE WITH NB POWER FOR REMOVAL OF EXISTING POLES AND LUMINAIRES. REMOVE ALL OBSOLETE ELECTRICAL, CONDUIT AND WIRING.

NOTES

- PROVIDE SEPARATE PRICE FOR REPLACEMENT OF METERED SERVICE 'MS1'.



1 WHARF PLAN - EXISTING ELECTRICAL
E3
SCALE: 1:500
0m 10m 20m 30m 40m 50m

0	ISSUED FOR TENDER	JUL 30 2015
revisions		date

project	project
ELECTRICAL UPGRADES CAP-DES-CAISSIE WHARF	
KENT CO., NB	
drawing	dessin

WHARF PLAN EXISTING ELECTRICAL	
designed BMT	conçu
date JULY 2015	
drawn DD	dessiné
date JULY 2015	
approved BMT	approuvé
date JULY 2015	

Tender	Soumission
Project Manager	Administrateur de projets
project number	no. du projet
721541	
drawing no.	no. du dessin

E7 OF 7
