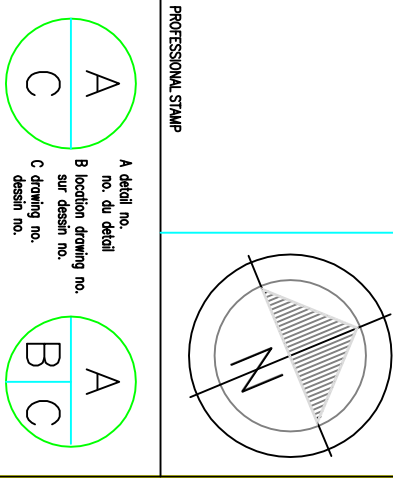


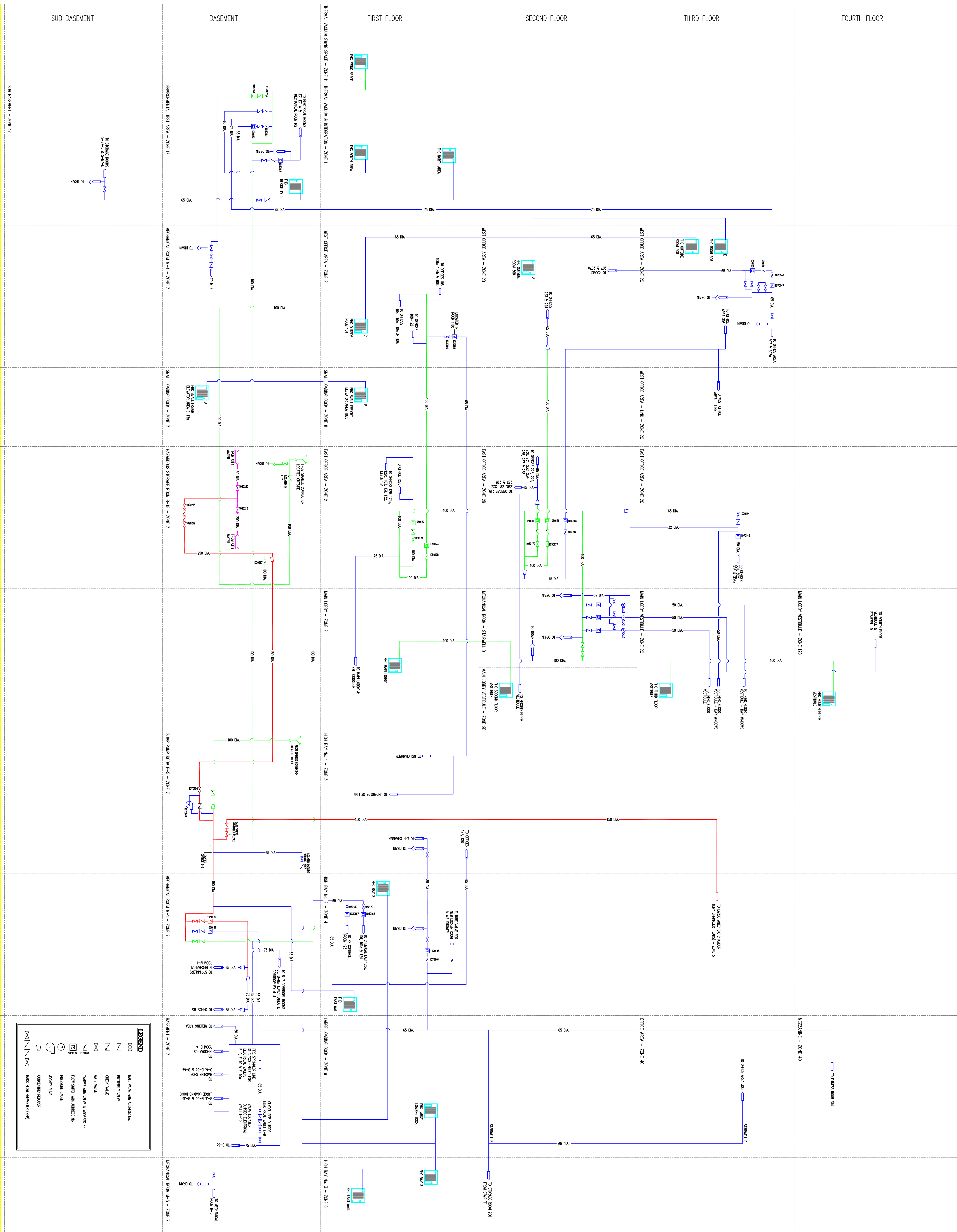
No.	Revision	Date
1.	ISSUED FOR AS BUILT	JUN/99
2.	UPDATED AS BUILT	NOV/07
3.	UPDATED AS BUILT	DEC/11
4.		
5.		



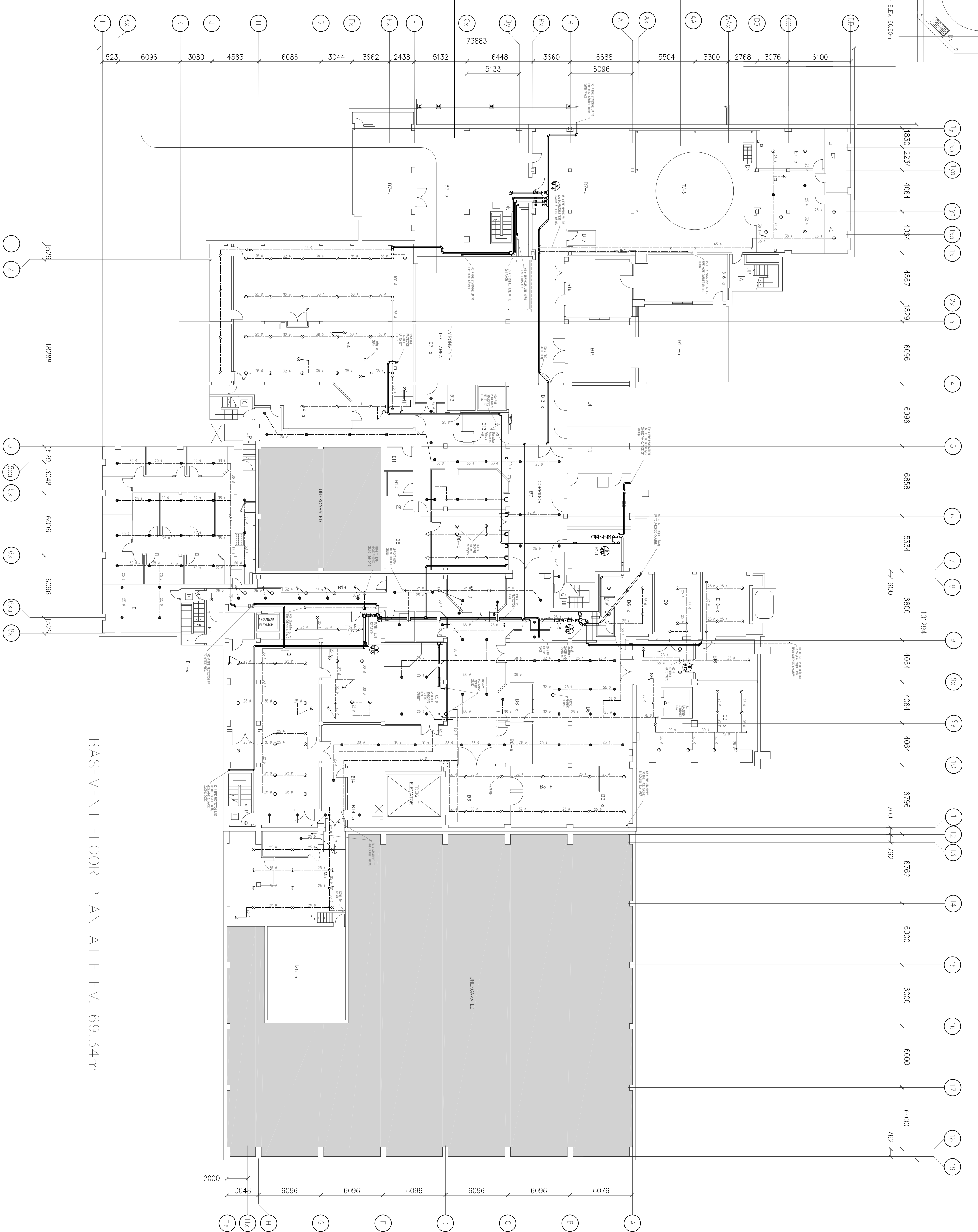
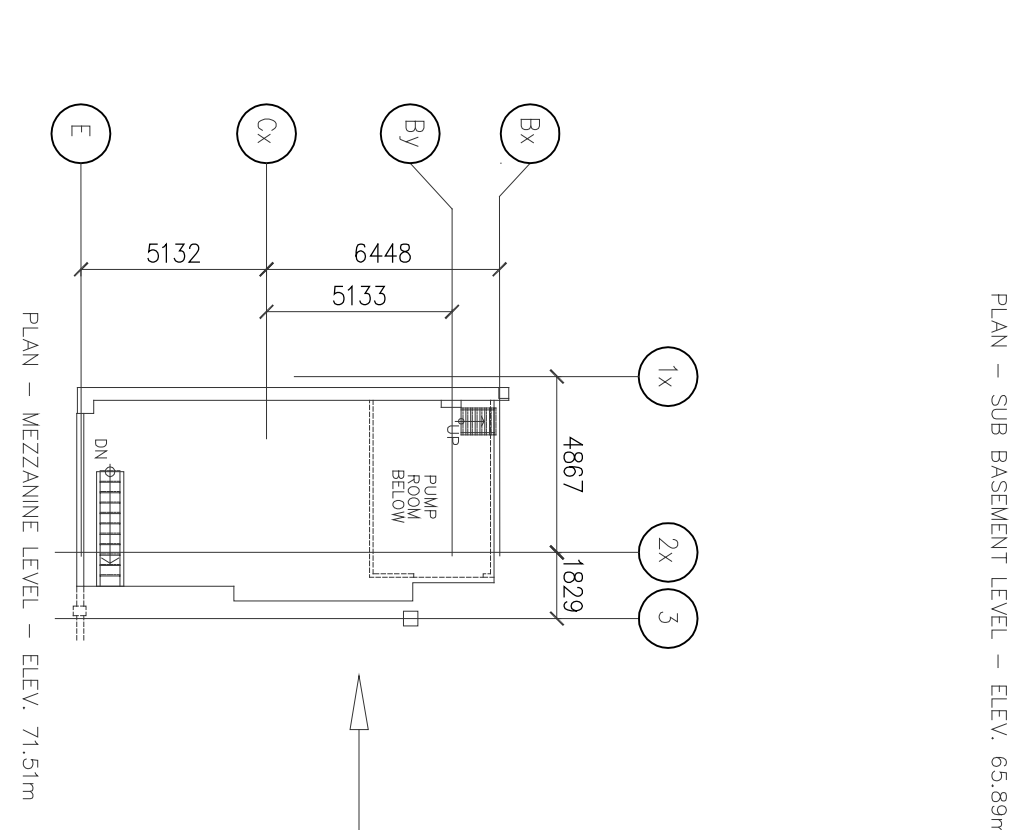
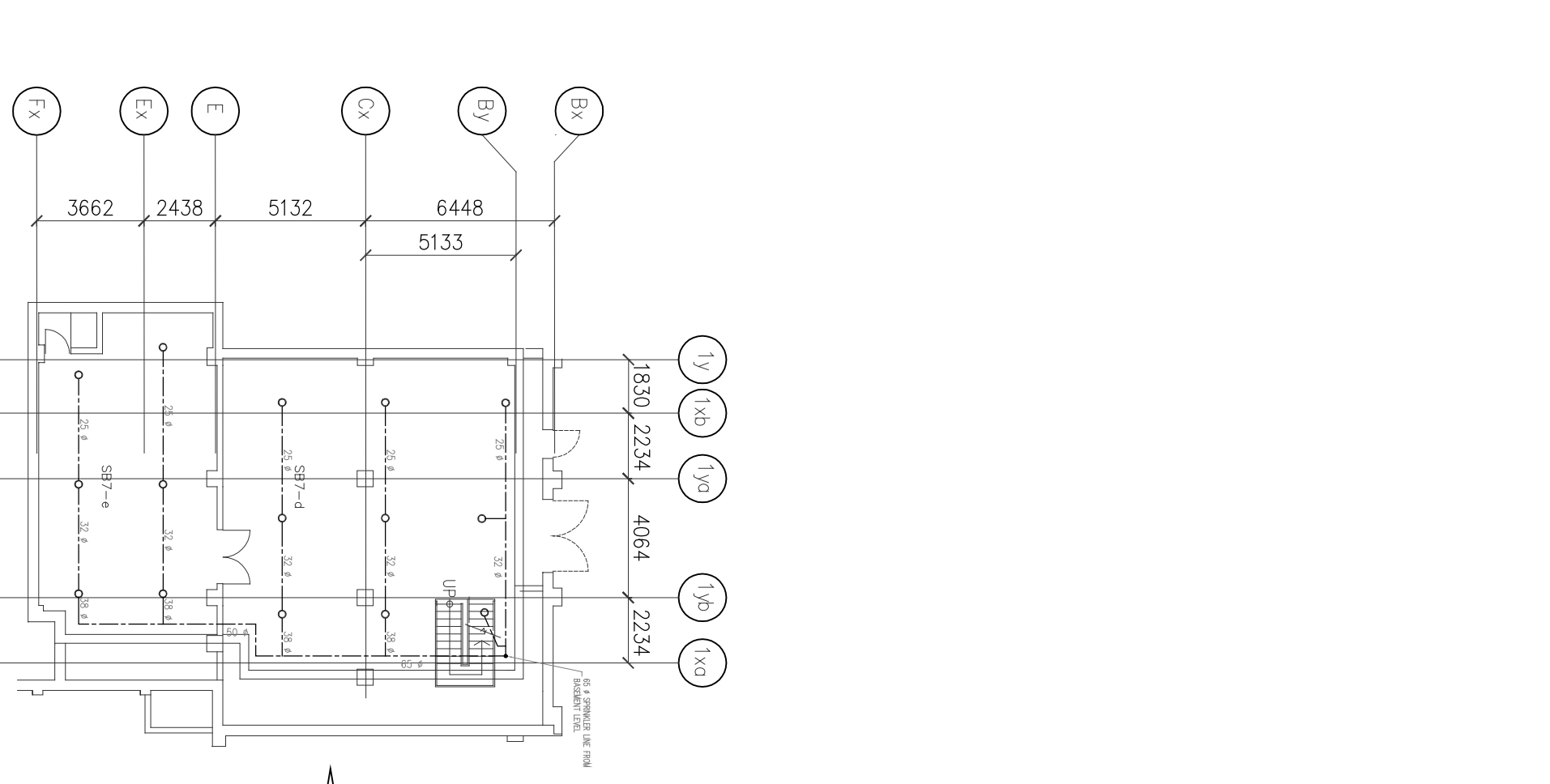
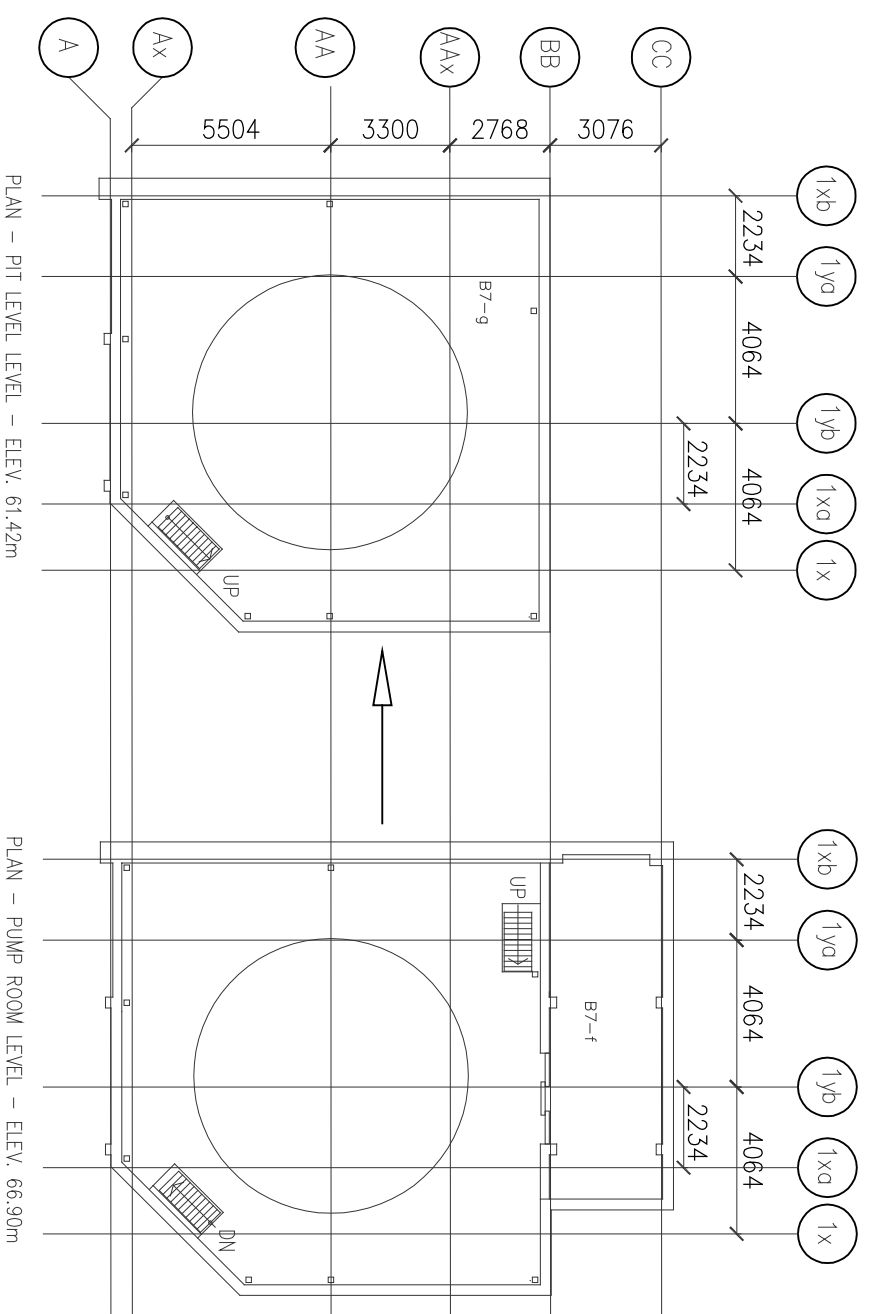
PROJECT NO. 05-01
PROJECT NAME: CSA - SPRINK/FE - BUILT
DRAWING NO. M/3

**RISER DIAGRAM
FIRE PROTECTION
LAYOUT**

description	status
DESIGNED	COMPL.
DRAWN	COMPL.
CHECKED	COMPL.
REVIEWED	COMPL.
APPROVED	COMPL.

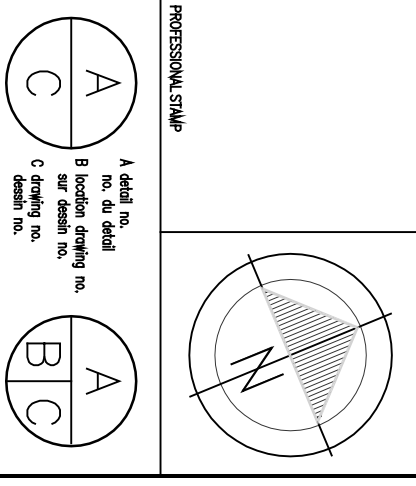


DESIGNED: N.T.S.
DRAWN: N.T.S.
CHECKED: N.T.S.
REVIEWED: N.T.S.
APPROVED: N.T.S.



BASEMENT FLOOR PLAN AT ELEV. 69.34m

No.	Revision	Date
1.	ISSUED FOR AS BUILT	JAN/98
2.	UPDATED AS BUILT	
3.		
4.		



project
**DAVID FLORIDA LABORATORY
AND LIFE REPT PROJECTS - PHASE VIII**
BUILDING NO. 65, SHIRLEY'S BAY, ONTARIO

designed
drawn
checked
approved
date

designed
drawn
checked
approved
date

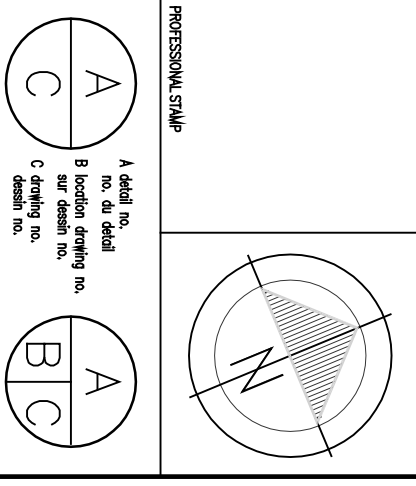
BASEMENT LEVEL
FIRE PROTECTION
LAYOUT

project
**DAVID FLORIDA LABORATORY
AND LIFE REPT PROJECTS - PHASE VIII**
BUILDING NO. 65, SHIRLEY'S BAY, ONTARIO

FIRE PROTECTION AS BUILT SET

drawing no. **M4**

5.		
4.	LOBBY/LINK ADDITION	DEC/11
3.	UPDATED AS BUILT	MAY/07
2.	ISSUED FOR AS BUILT	JUN/09
1.	ISSUED FOR AS BUILT	JAN/99
No.	Revision	Date



PROJECT NAME
 A 1000 sq. ft. addition to the existing building.
 1000 sq. ft. addition to the existing building.
 1000 sq. ft. addition to the existing building.

PROJECT
 DAVID FLORIDA LABORATORY
 AND LIFE REPT PROJECTS - PHASE VII
 BUILDING NO. 65, SHERRIFFS BAY, ONTARIO

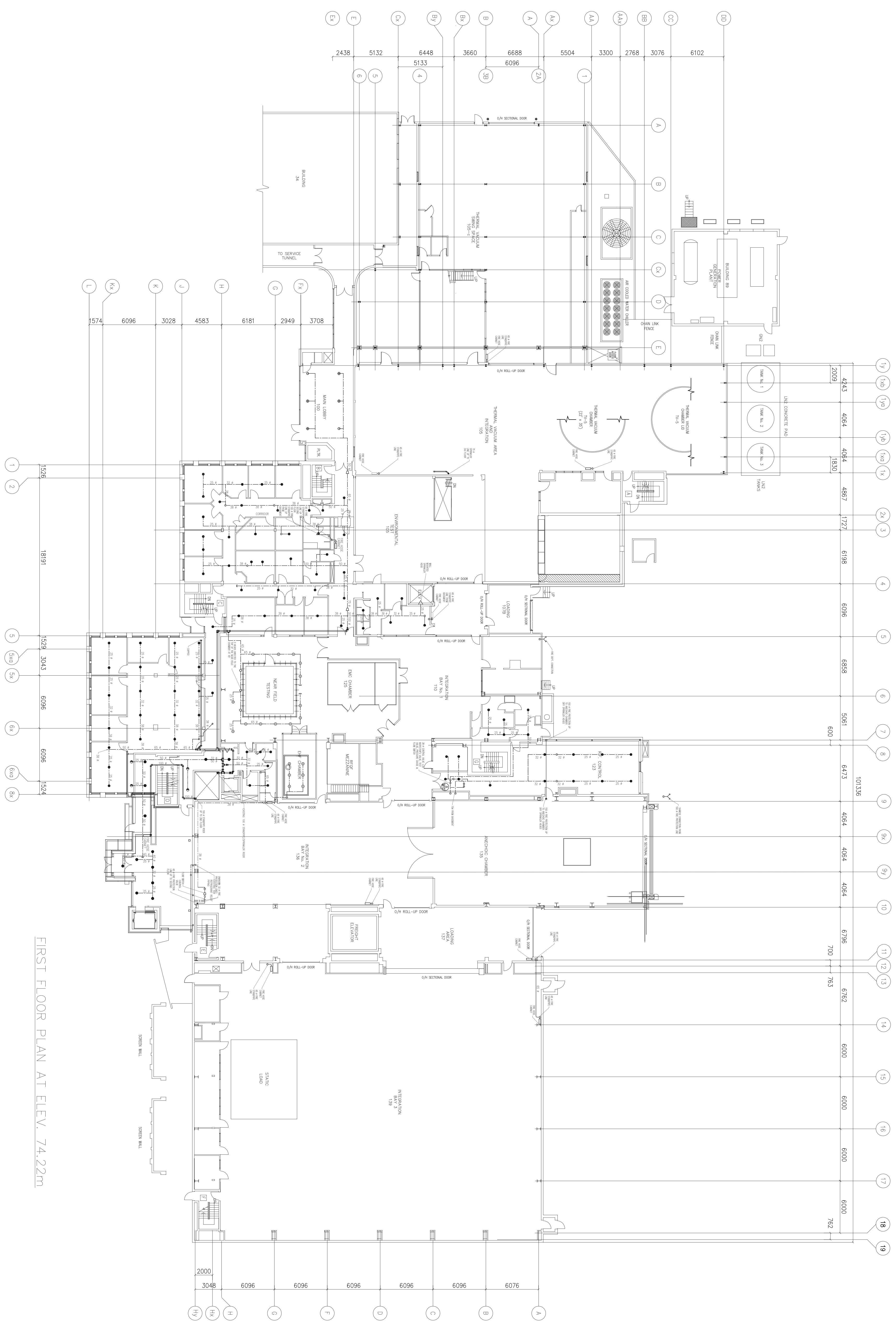
FIRE PROTECTION AS BUILT SET

**FIRST FLOOR
 FIRE PROTECTION
 LAYOUT**

designed: **CONOR**
 drawn: **DEBRA**
 checked: **ESTHER**
 approved: **CONOR**

DATE: 11/15/09
 SCALE: 1/8" = 1'-0"
 0 1.5 3.0 6.0m

PROJECT NO.: **SPRKL/FE - BUILT**
 NO. TO PROJECT: **M/5**
 DRAWING NO.: **no. 50**



FIRST FLOOR PLAN AT ELEV. 74.22m

No.	Revision	Date
1.	ISSUED FOR AS BUILT	JAN/98
2.	UPDATED AS BUILT	MAY/97
3.	LOBBY/LINK ADDITION	DEC/71
4.		
5.		

PROTECTIVE CODE

A Add no. 1
 B Add no. 2
 C Add no. 3

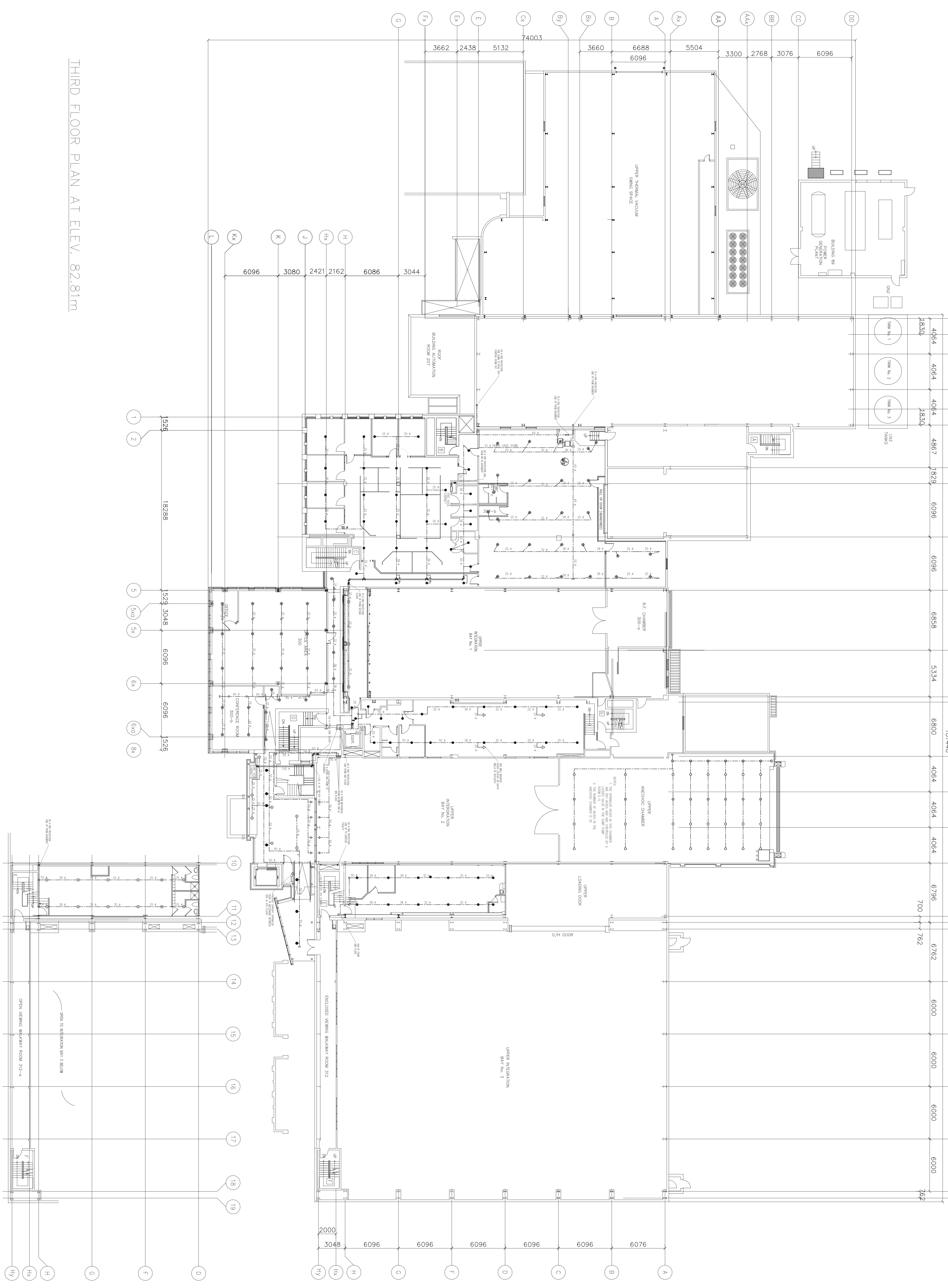
A Add no. 1
 B Add no. 2
 C Add no. 3

Project: **DAVID FLORIDA LABORATORY AND LIFE REPT PROJECTS - PHASE VII**
 Building No. 65, SHIVERS' BAY, ONTARIO

Project: **THIRD FLOOR FIRE PROTECTION AS BUILT SET**

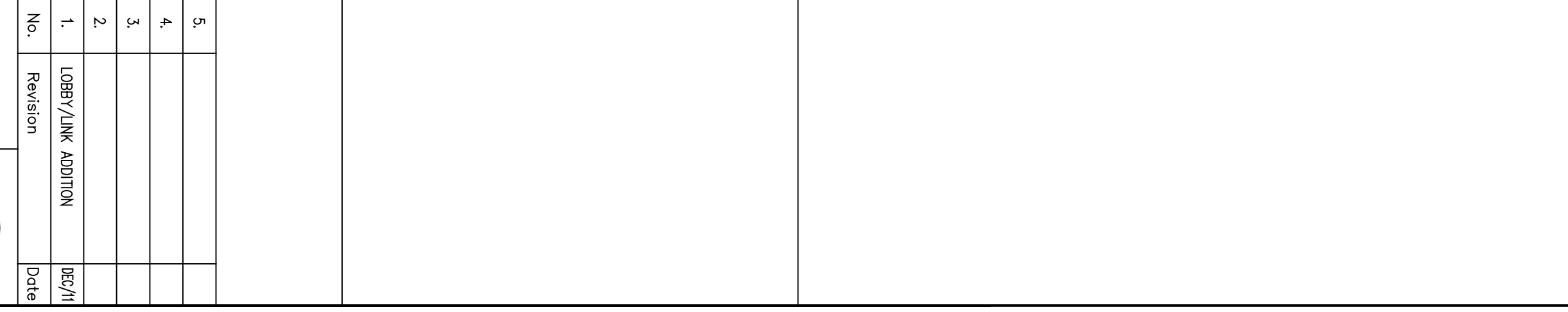
THIRD FLOOR
 FIRE PROTECTION
 LAYOUT

designed	checked	drawn	date	date	date	date
designed	checked	drawn	date	date	date	date
designed	checked	drawn	date	date	date	date
designed	checked	drawn	date	date	date	date

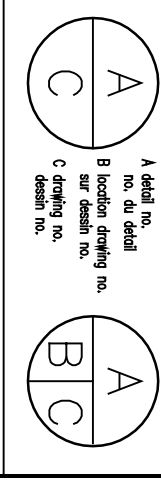


THIRD FLOOR PLAN AT ELEV. 82.81m

THIRD FLOOR MEZZANINE PART PLAN AT ELEV. 85.81m



No.	Revision	Date
1.	LOBBY/JUNK ADDITION	DEC/11
2.		
3.		
4.		
5.		



PROFESSIONAL ENGINEER
 A. Farid, P. Eng.
 1111 10th Avenue S.E.
 Calgary, Alberta T2G 1P9, Canada
 (403) 243-1111
 www.aefarid.com

PROJECT
 DAVID FLORIDA LABORATORY
 MID LIFE REFIT PROJECTS - PHASE VII
 BUILDING No. 65, SHIRLEY'S BAY, ONTARIO
 FIRE PROTECTION AS BUILT SET

THIRD FLOOR
 FIRE PROTECTION
 LAYOUT

designed: [blank] checked: [blank]
 drawn: [blank] examined: [blank]
 date: [blank] approved: [blank]
 scale: 1:100
 sheet: 1 of 10
 project no.: 1.5 3.0
 no. in project: 6.0m
 CSA - SPRKL/FE - Built
 drawing no.: [blank] no. of sheets: [blank]