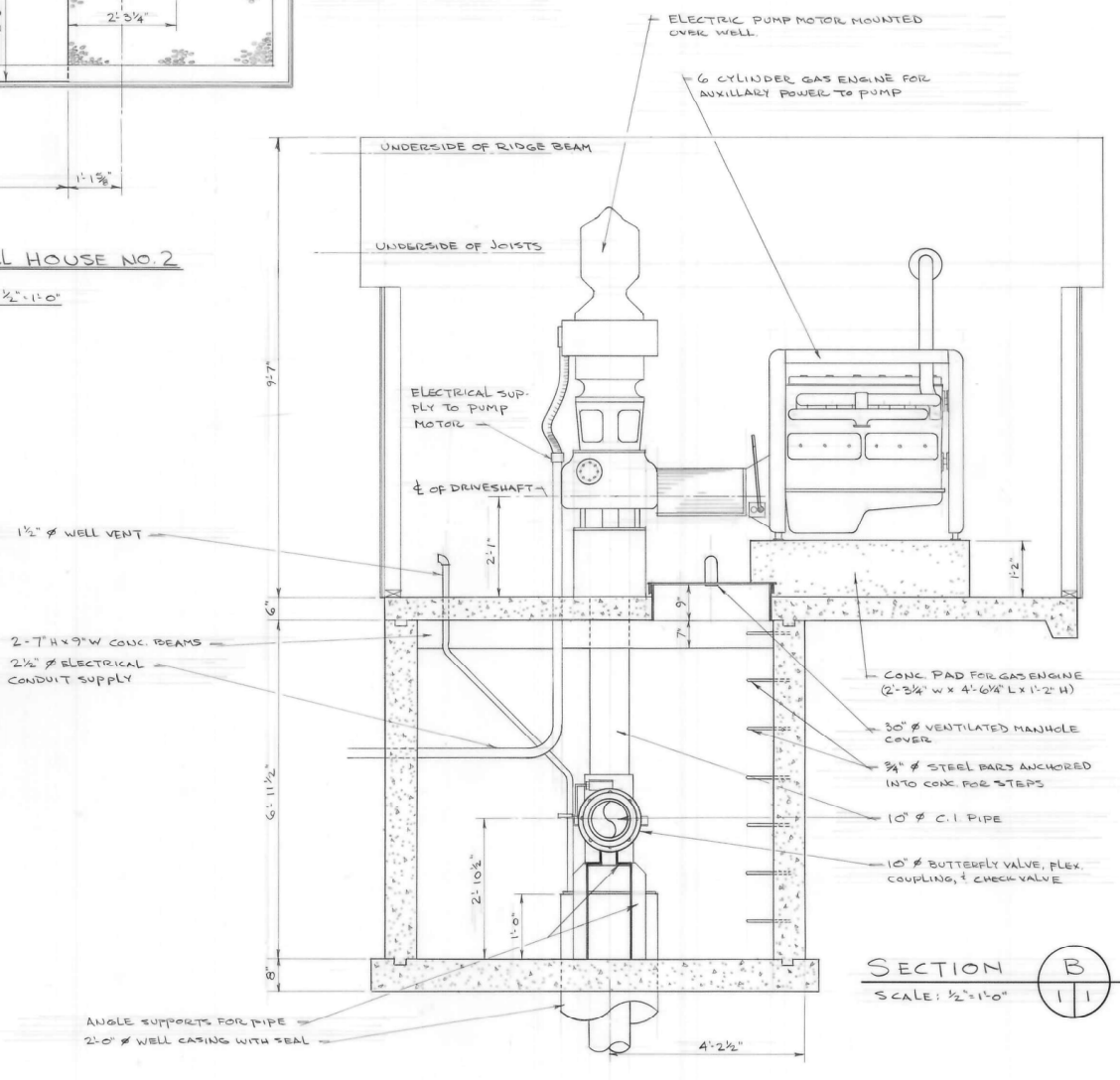


PUMP & ENGINE SPECIFICATIONS

PUMP # 1 - LAYNE & BOWLER-VERTILINE, MODEL 14 R; SERIAL NO. D18232, 2 STAGE 14 RM BOWLS; 2000 U.S. G.P.M. COLUMN IN 10' LENGTHS 10" Ø. TOTAL COLUMN LENGTH 45'. LINESHAFT IN 10' LENGTHS 1 1/2" Ø, MAX. BOWL ASSEM. O.D. 14". SUCTION PIPE 10" Ø IN 1' LENGTHS CONICAL STRAINER 10" Ø. TOTAL OVERALL LENGTH 52' 8". MOTOR ON PUMP # 1 - TAMPER ELECTRIC MOTOR (HOLLOW SHAFT), MODEL 445 UPR-DALE, SERIAL NO. T-142921-1, TYPE BKG 4512, 100 H.P.; 600 V.; 3 PHASE; 60 HZ.

PUMP # 2 - LAYNE & BOWLER-VERTILINE, MODEL 14 R; SERIAL NO. D18231. PUMP SPECIFICATIONS ARE THE SAME AS FOR PUMP # 1. MOTOR ON PUMP # 2 - TAMPER ELECTRIC MOTOR (HOLLOW SHAFT), MODEL 445 UPR-DALE, SERIAL NO. T-142921-2, TYPE BKG 4512, 100 H.P.; 600 V.; 3 PHASE; 60 HZ. AUXILIARY MOTOR - THIS PUMP ALSO HAS A JOHNSON RIGHT ANGLE DRIVE MODEL 11090, SERIAL NO. 41908 WHICH IS DRIVEN BY A CONVENTIONAL GASOLINE MOTOR MODEL 15427; SERIAL NO. 12016; SPEC 4106.



No.	revisions révisions	date	by par

GOVERNMENT OF CANADA
FISHERIES AND OCEANS
FISHERIES AND MARINE SERVICE

GOUVERNEMENT DU CANADA
PÊCHES ET OCÉANS
SERVICE DES PÊCHES ET DE LA MER

consultant
expert-conseil

designed by
conçu par

drawn by
dessiné par L D H

checked by
vérifié par

approved by
approuvé par

departmental approval
approbation du département

scale
échelle As Shown

date Feb. 6, 1980

A detail no.
no. du détail

B sheet no. - where detail required
no. de la feuille - où détail exigé

C sheet no. - where detailed
no. de la feuille - où détaillé

project
projet

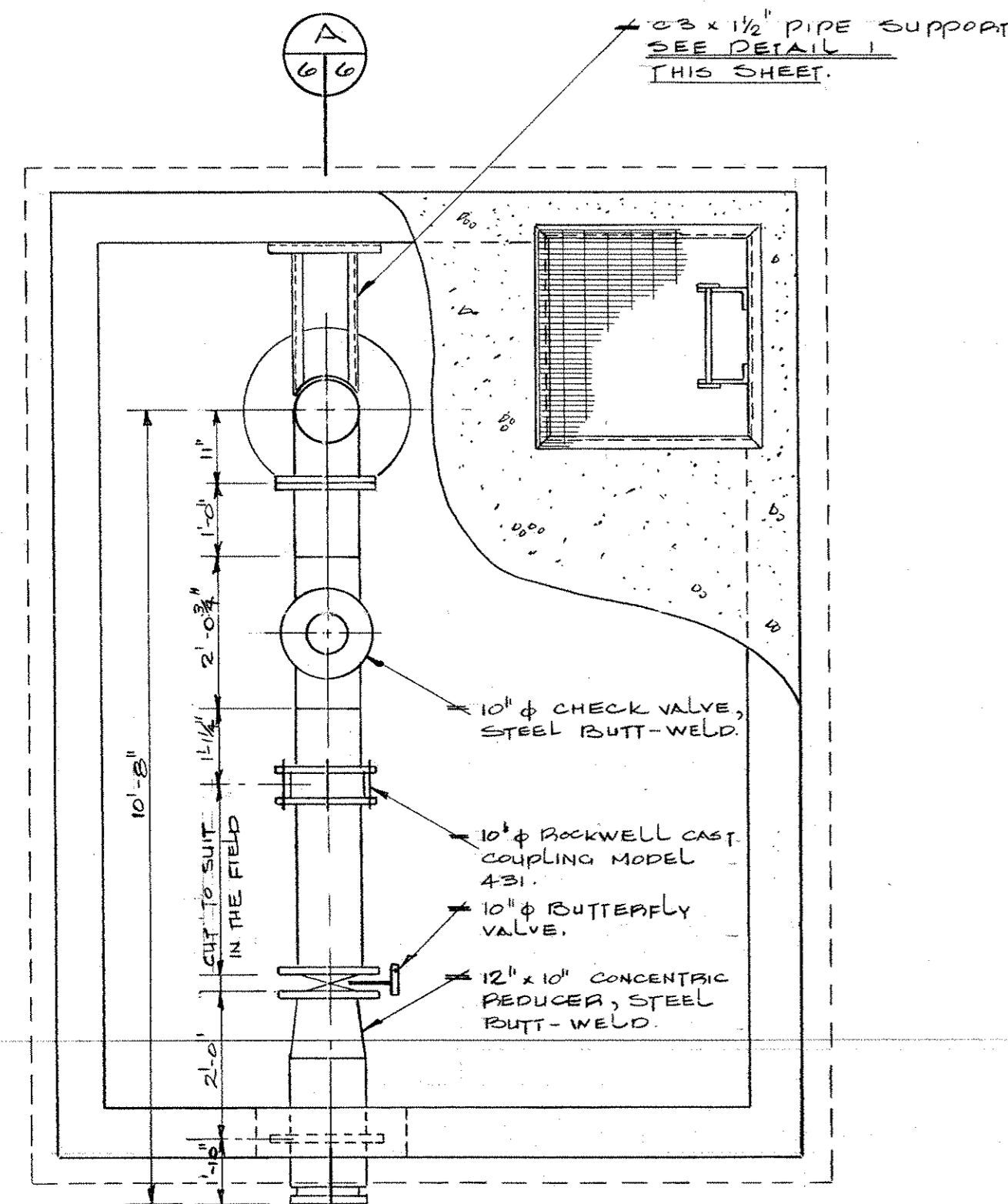
**MACTAQUAC F. C. STATION
AS BUILT DRAWINGS OF
WELL HOUSES NO. 1 & 2**

drawing
dessin

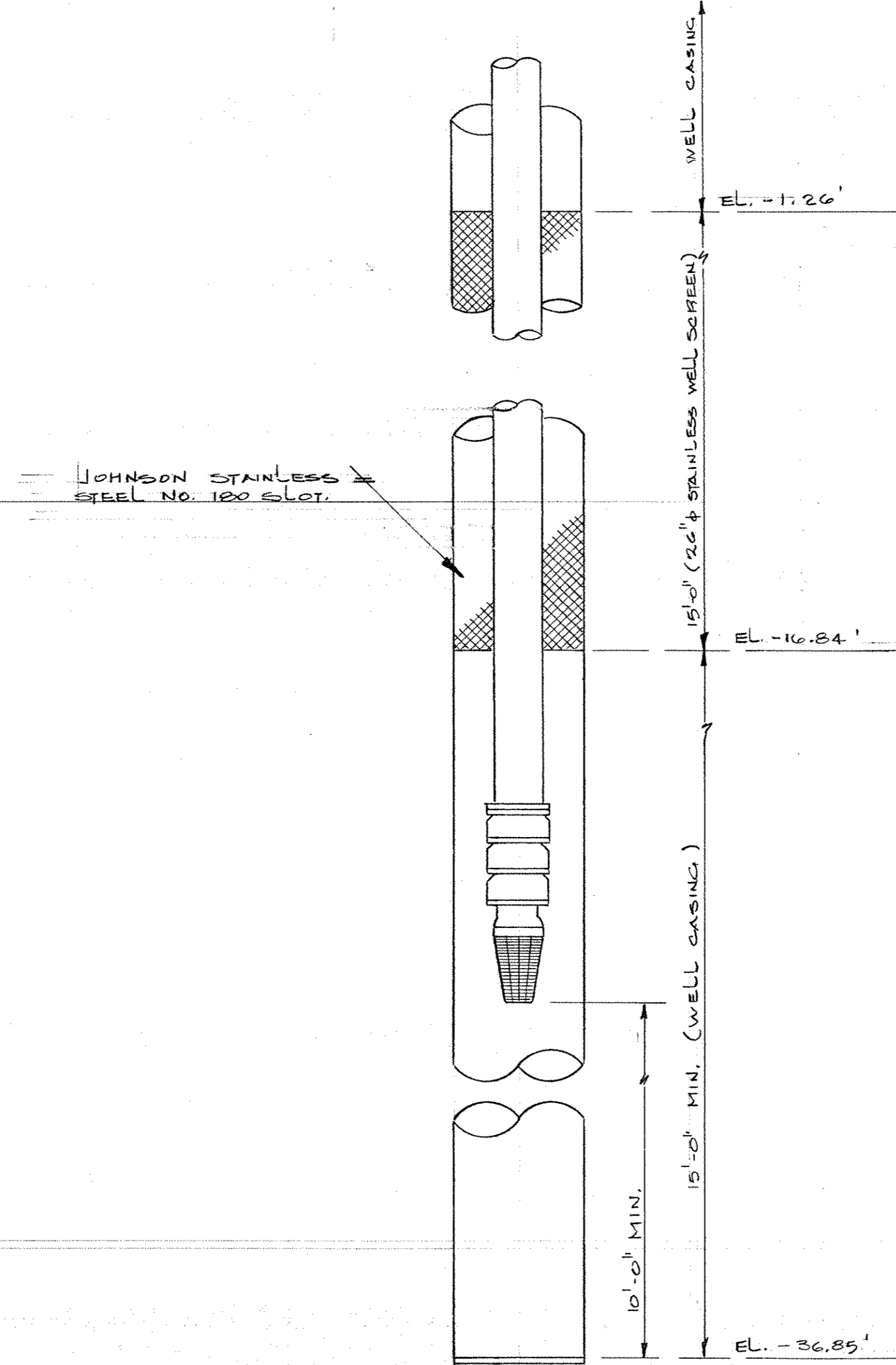
PLANS & SECTIONS

sheet No. de la feuille 1 OF 1

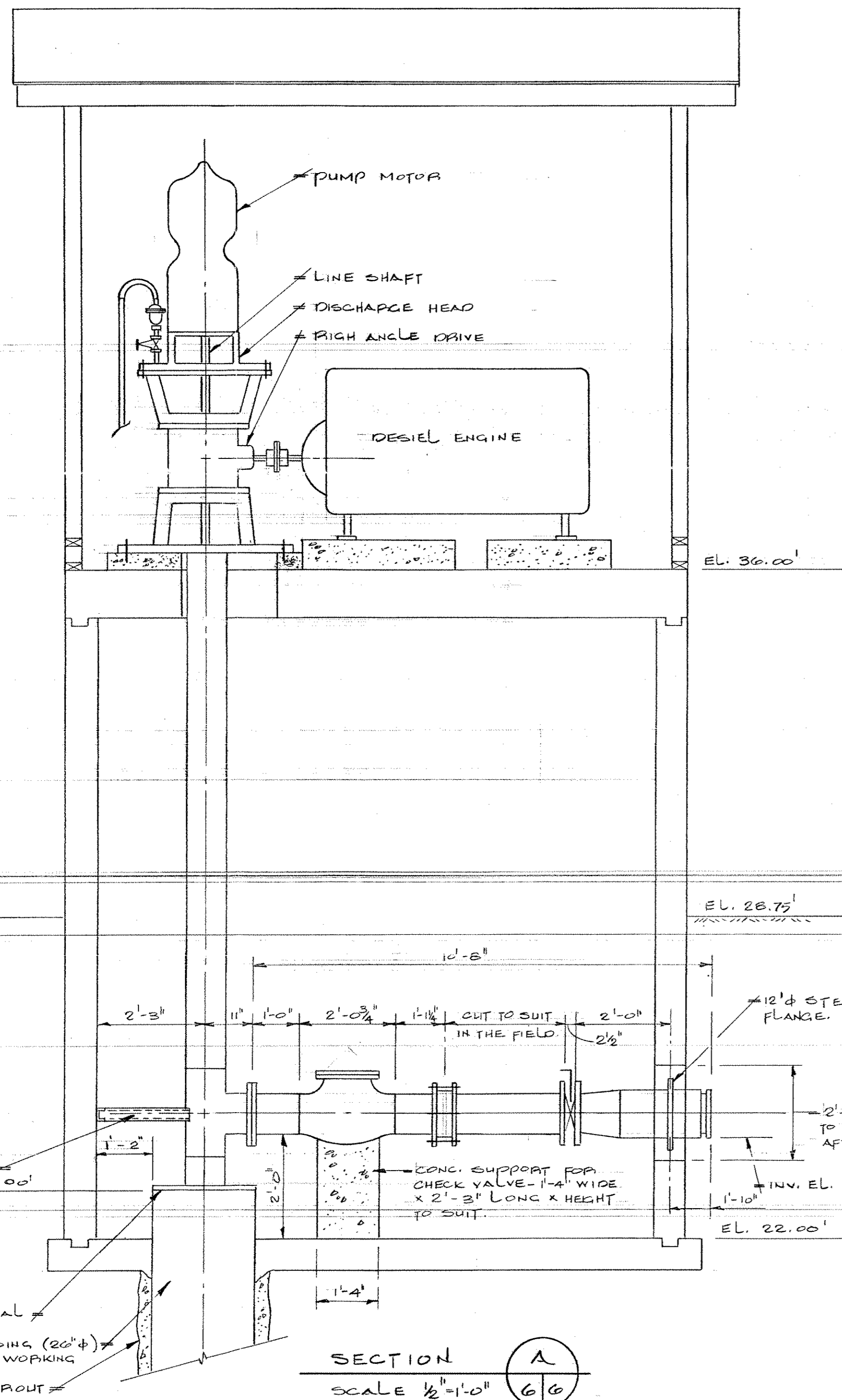
dwg. No. du dessin M-2436



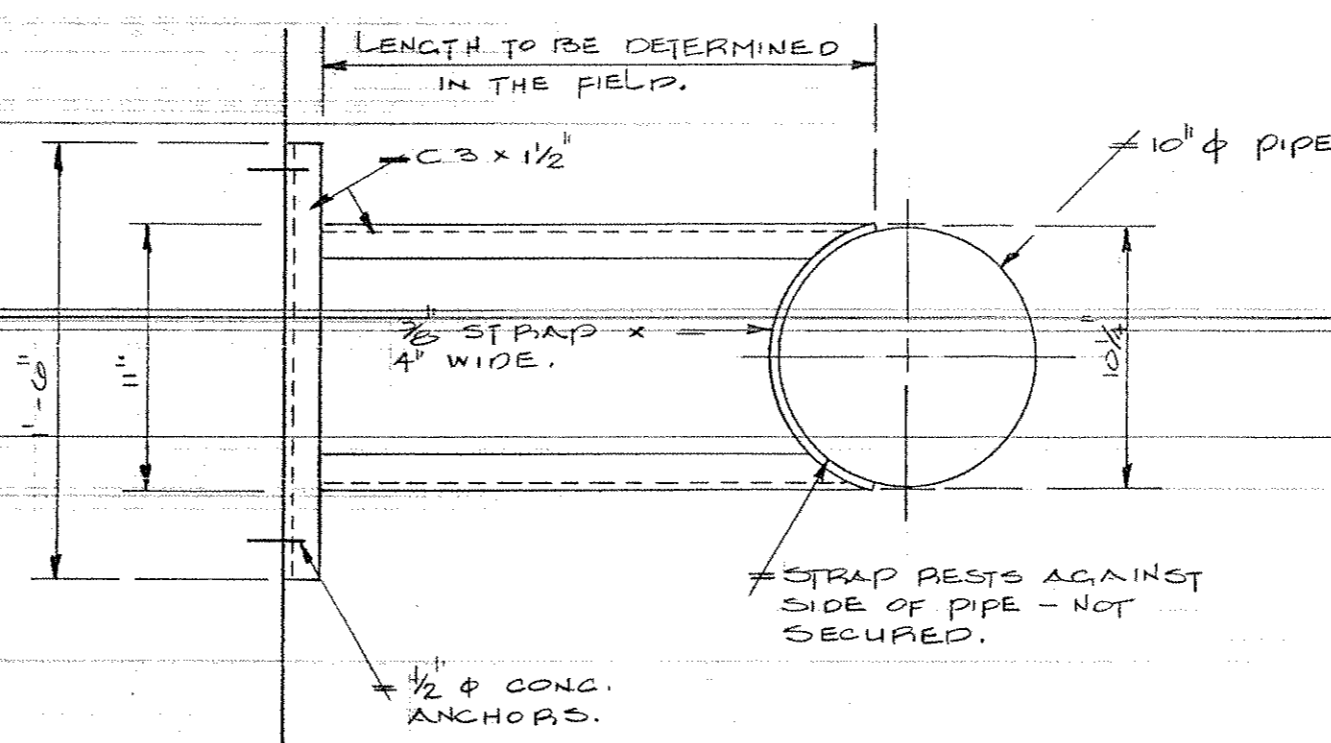
PLAN
SCALE 1/2" = 1'-0"



DETAIL AT FOOT OF WELL
SCALE 1/2" = 1'-0"



SECTION
SCALE 1/2" = 1'-0"



DETAIL
SCALE 1/2" = 1'-0"

No.	revisions révisions	date	by par

GOVERNMENT OF CANADA
FISHERIES AND OCEANS
FISHERIES MANAGEMENT

GOVERNEMENT DU CANADA
PÊCHES ET OCÉANS
GESTION DES PÊCHES

consultant
expert-conseil

designed by
conçu par
drawn by
dessiné par
checked by
vérifié par
approved by
approuvé par

JRC

departmental approval
approbation du département

scale AS SHOWN échelle date NOV. 28, 1984

A detail no. no. du détail
B sheet no. - where detail required no. de la feuille - où détail exigé
C sheet no. - where detailed no. de la feuille - où détaillé

project
projet

MACTAQUAC F. C. STATION, N.B.
PROPOSED INSTALLATION OF
WELL NO. 5

drawing
dessin PUMP BLDG.
MECHANICAL LAYOUT

sheet No. de la feuille 6
dwg. No. du dessin M-2552