

LOCATION PLAN



AERIAL VIEW

LEGEND

- ① REPLACE ALL BULL RAILS ON OLD FLOATS
- ② REPLACE ALL RUB BOARDS ON OLD FLOATS
- ③ REPLACE ALL DECKING ON OLD FLOATS

NOTES

1. ALL DIMENSIONS IN METERS.
2. FLOAT LAYOUT APPROXIMATE AND REFERENCED TO SCH TRANSFER PLAN.
3. LEGEND NUMBERING REFERENCED TO THE SCHEDULE OF QUANTITIES AND PRICES.

Public Works and Government Services Canada / Travaux publics et Services gouvernementaux Canada

REAL PROPERTY SERVICES
Western Region
SERVICES IMMOBILIERS
Région de l'ouest

DO NOT SCALE DRAWINGS

Revision/Revision	Description/Description	Date/Date

Client/client

Fisheries & Oceans Canada
Small Craft Harbours Branch
Pacific Division

200 - 401 Burrard Street
Vancouver, Canada, V6C 3S4

Project title/Titre du projet

CAMPBELL RIVER (DISCOVERY)
SMALL CRAFT HARBOUR

Approved by/Approuvé par
M.B.

Designed by/Concept par
A.S.

Drawn by/Dessiné par
WSL

PWOSC Project Manager/Administrateur de Projets TPSGC

PWOSC, Architectural and Engineering Resources Manager/
Ressources Architectural et de Directeur d'ingénierie, TPSGC

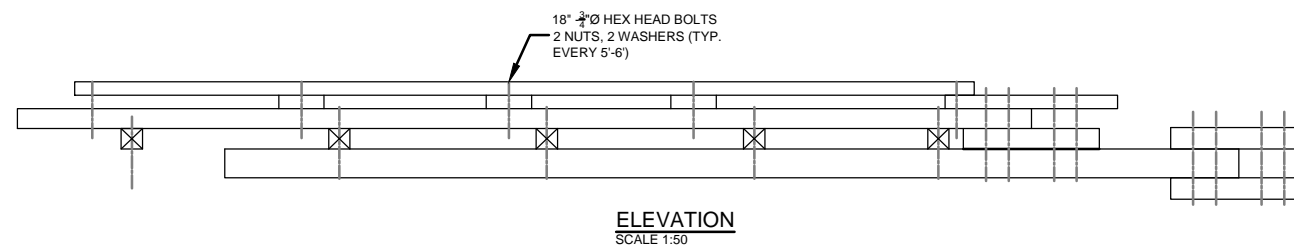
Client/client

Drawing title/Titre du dessin

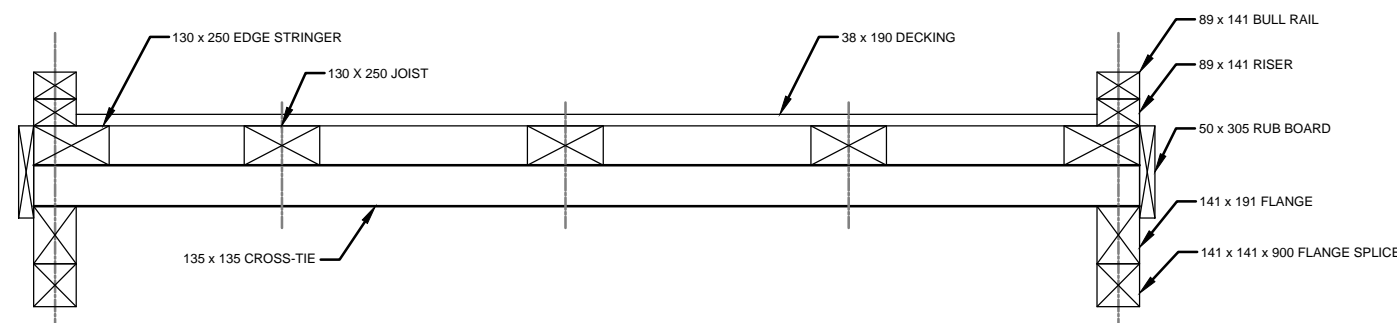
GENERAL ARRANGEMENT
FLOAT RECONSTRUCTION

Project No./No. du projet CR-D-FR	Sheet/Feuille 001 OF	Revision no./ La Révision no.
---	-----------------------------------	----------------------------------

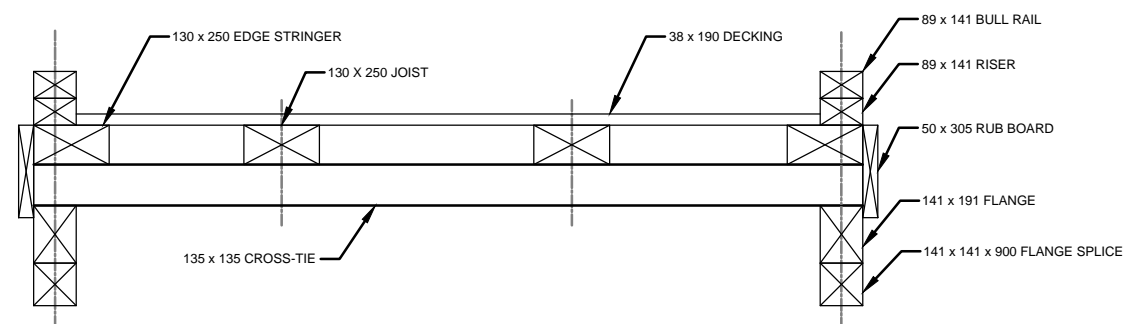




ELEVATION
SCALE 1:50



TYPICAL SECTION FLOAT A1 - 3.65m (12FT)
SCALE 1:25



TYPICAL SECTION FLOAT A2, B, & C - 2.74m (9FT)
SCALE 1:25

DO NOT SCALE DRAWINGS

Revision/ Révision	Description/ Description	Date/ Date

Client/ client

Fisheries & Oceans Canada
Small Craft Harbours Branch
Pacific Division

200 - 401 Burrard Street
Vancouver, Canada, V6C 3S4

Project title/ Titre du projet

CAMPBELL RIVER (DISCOVERY)
SMALL CRAFT HARBOUR

Approved by/ Approuvé par

M.B.

Designed by/ Concept par

A.S.

Drawn by/ Dessiné par

WSL

PWSC Project Manager/ Administrateur de Projets TPSGC

PWSC, Architectural and Engineering Resources Manager/
Ressources Architectural et de Directeur d'ingénierie, TPSGC

Client/ client

Drawing title/ Titre du dessin

GENERAL ARRANGEMENT
FLOAT RECONSTRUCTION

Project No./ No. du projet

CR-D-FR

Sheet/ Feuille

002

OF

Revision no./
La Révision no.

