

Public Works and  
Government Services  
Canada

Travaux publics et  
Services gouvernementaux  
Canada

**TRACADIE  
LAUNCH FACILITY  
CONSTRUCTION 502P  
TRACADIE  
QUEENS COUNTY, PEI**

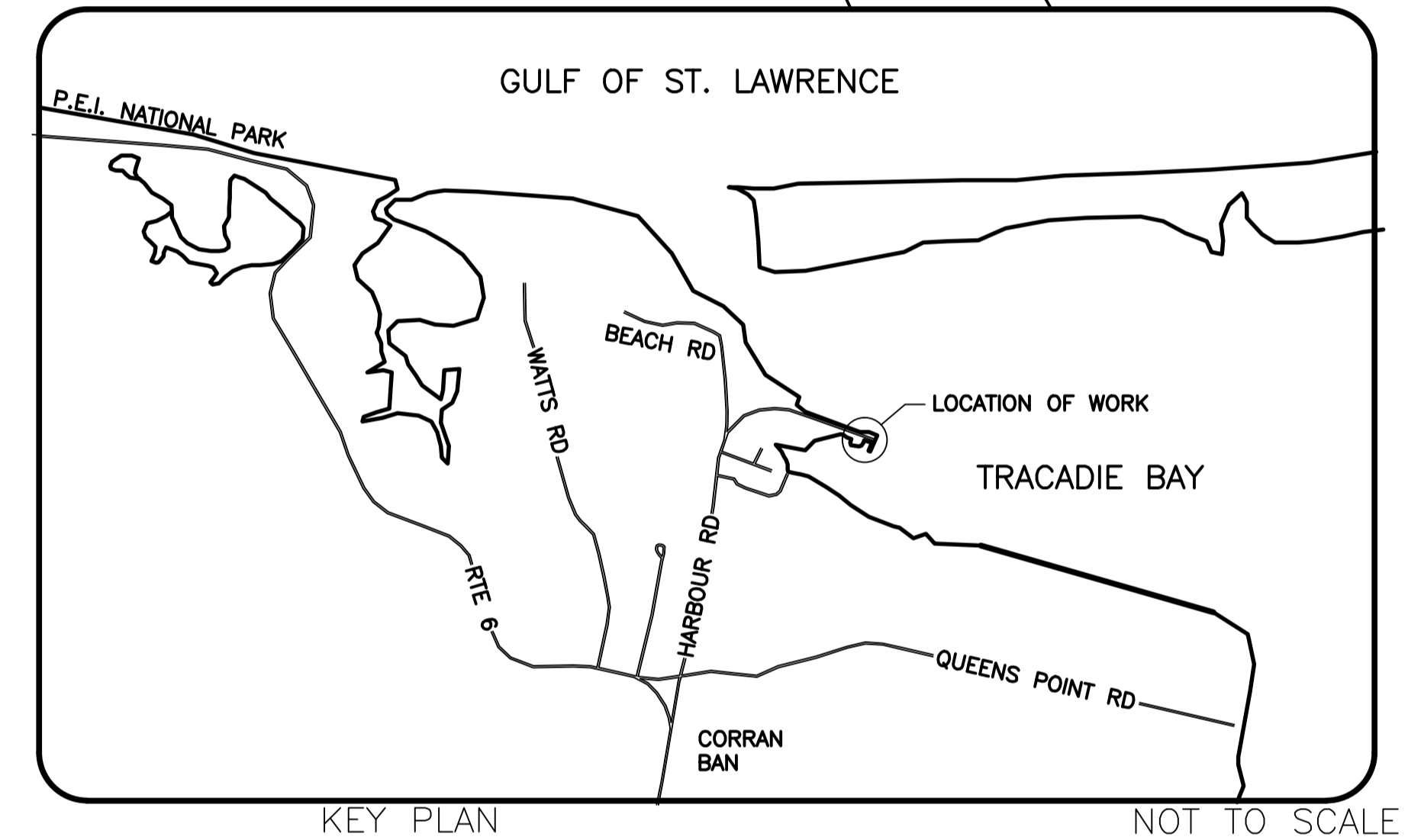
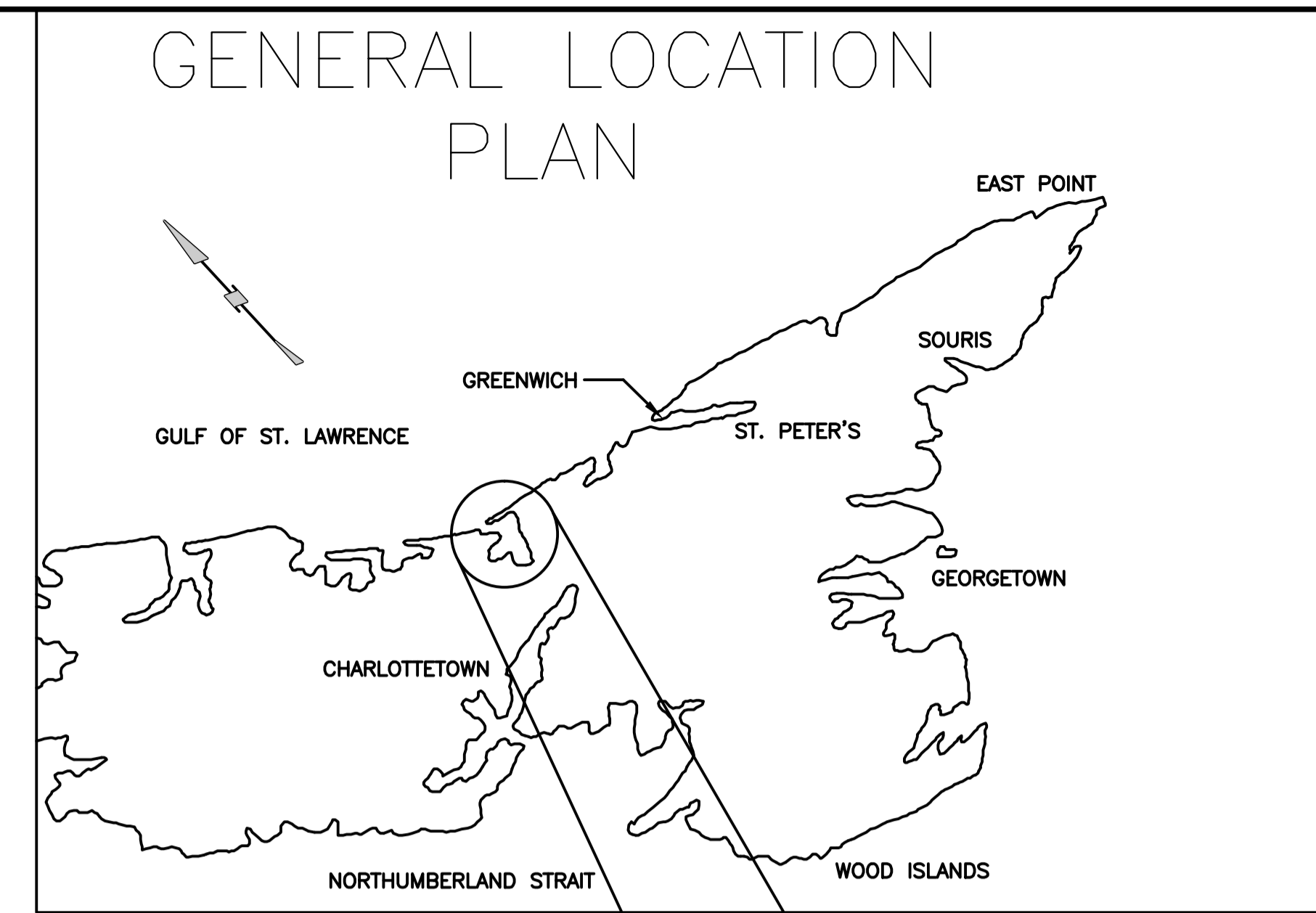
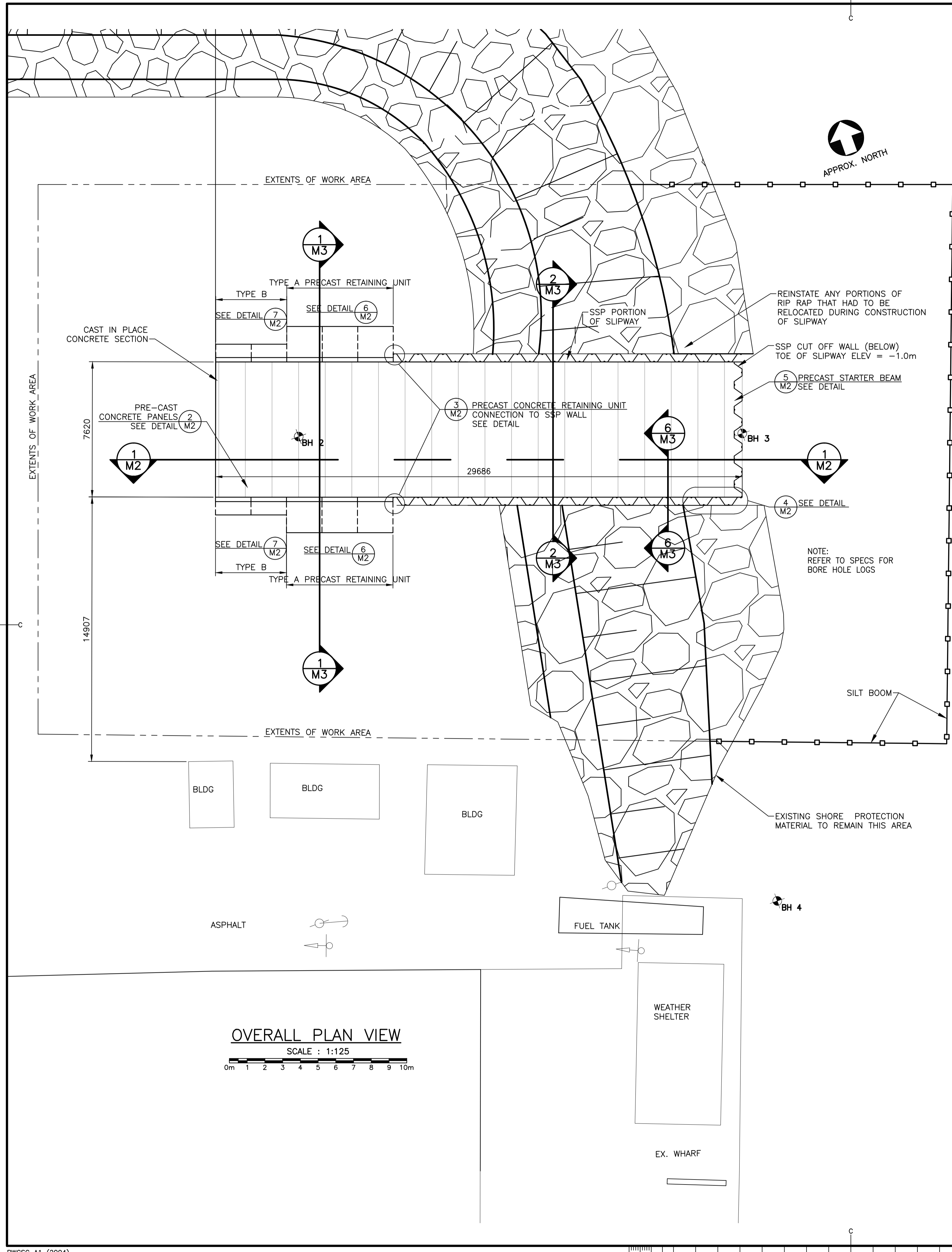
**Sheet List Table**

Sheet Number	Sheet Title
C1	COVER
M1	OVERALL PLAN VIEW GENERAL LOCATION PLAN KEY PLAN
M2	SLIPWAY DETAILS & CONNECTIONS
M3	SLIPWAY SECTIONS & DETAILS

**PROJECT NO. 721672**

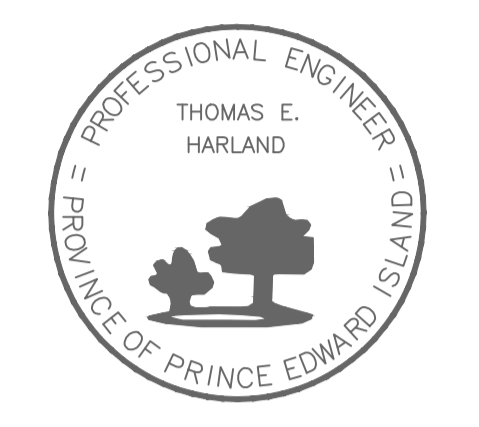
**ISSUED FOR TENDER 09/11, 2015**

**Canada**



Public Works and Government Services Canada / Travaux Publics et Services gouvernementaux Canada

**HARLAND ENGINEERING SERVICES INC.**  
 ENGINEERS • PROJECT MANAGERS  
 P.O. Box 1653  
 Charlottetown, PE  
 C1A 7N4  
 Tel: 902.368.3365  
 Fax: 902.626.3412

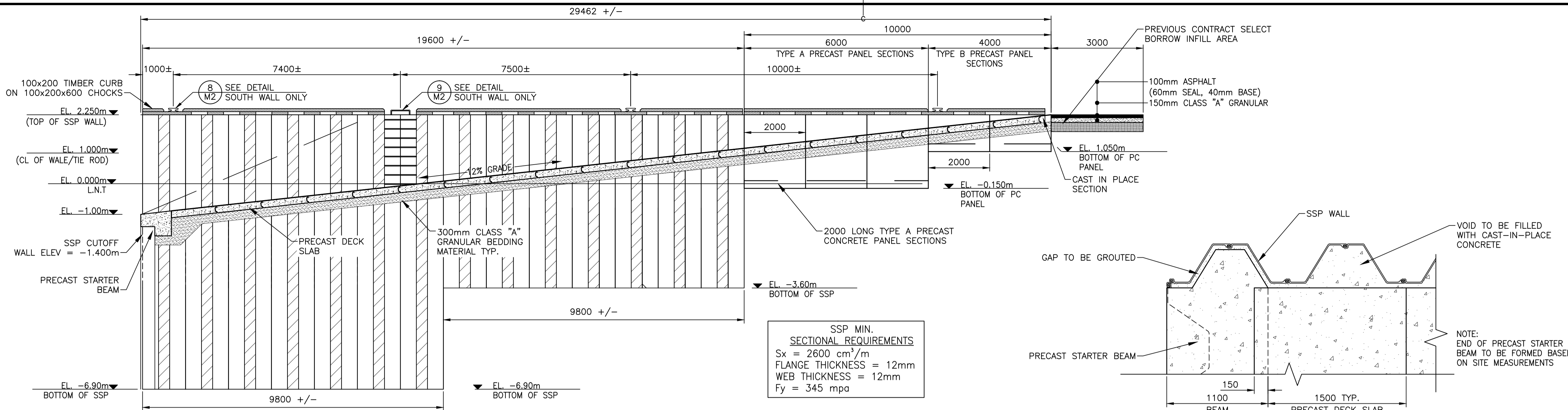
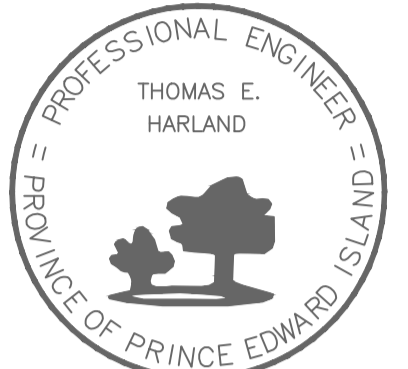


revisions	date
4	ISSUED FOR TENDER 09/11/2015
3	ISSUED FOR 100% REVIEW 09/02/2015
2	ISSUED FOR 99% REVIEW 08/18/2015
1	ISSUED FOR 60% REVIEW 08/04/2015
0	ISSUED FOR REVIEW 07/21/2015

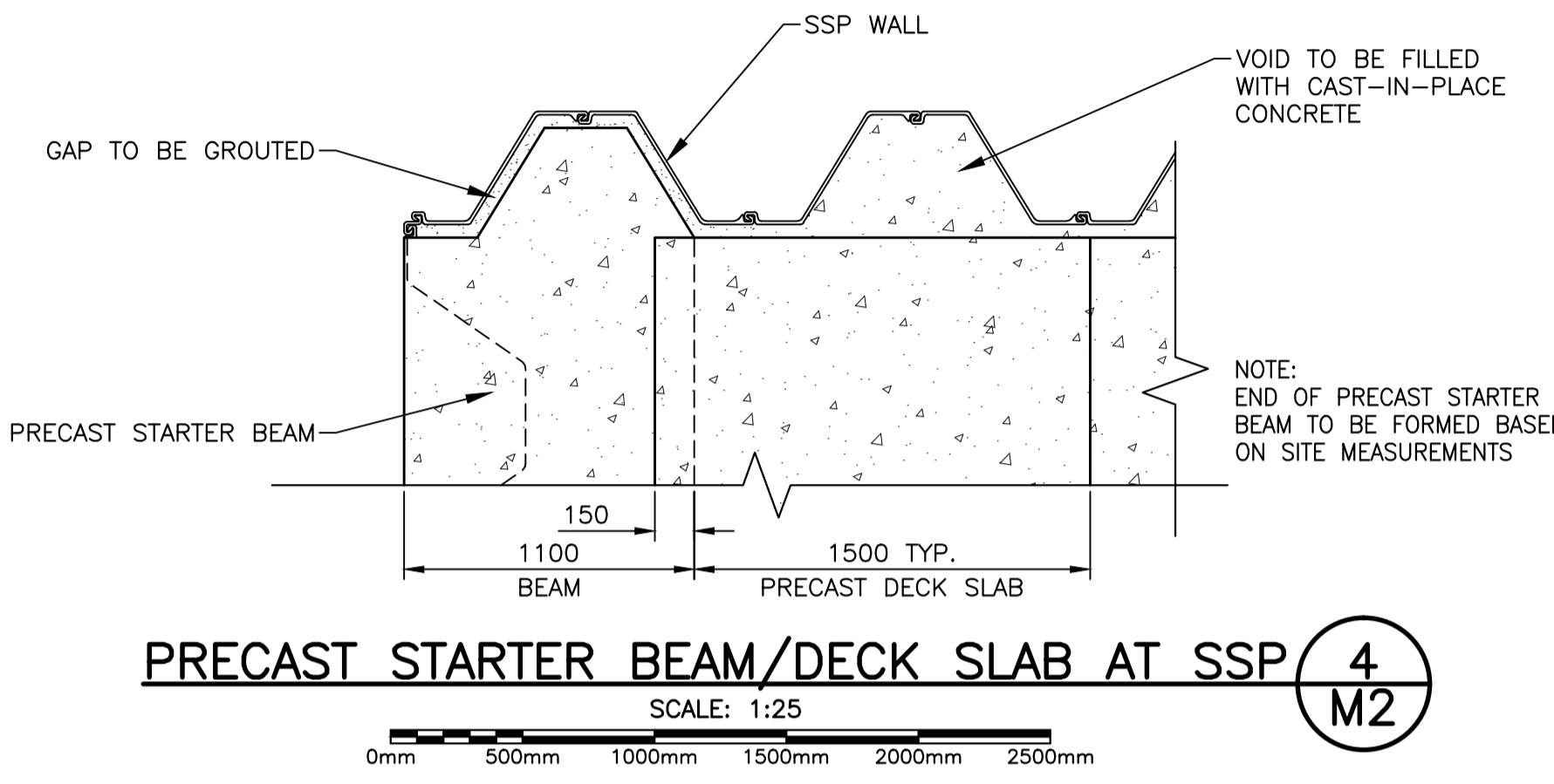
project  
**TRACADIE LAUNCH FACILITY CONSTRUCTION 502P TRACADIE QUEENS COUNTY, PEI**  
 projet

drawing  
**OVERALL PLAN VIEW GENERAL LOCATION PLAN KEY PLAN**  
 dessin

designed T. HARLAND conçu  
 date JULY 20, 2015  
 drawn M. MACKAY / E. BALDERSTON dessiné  
 date SEPTEMBER 2, 2015  
 approved  
 approuvé  
 date  
 Tender  
 Soumission  
 PWGSC Project Manager / Administrateur de projets TPSGC  
 project number no. du projet  
**721672**  
 drawing no. no. du dessin  
**M1**

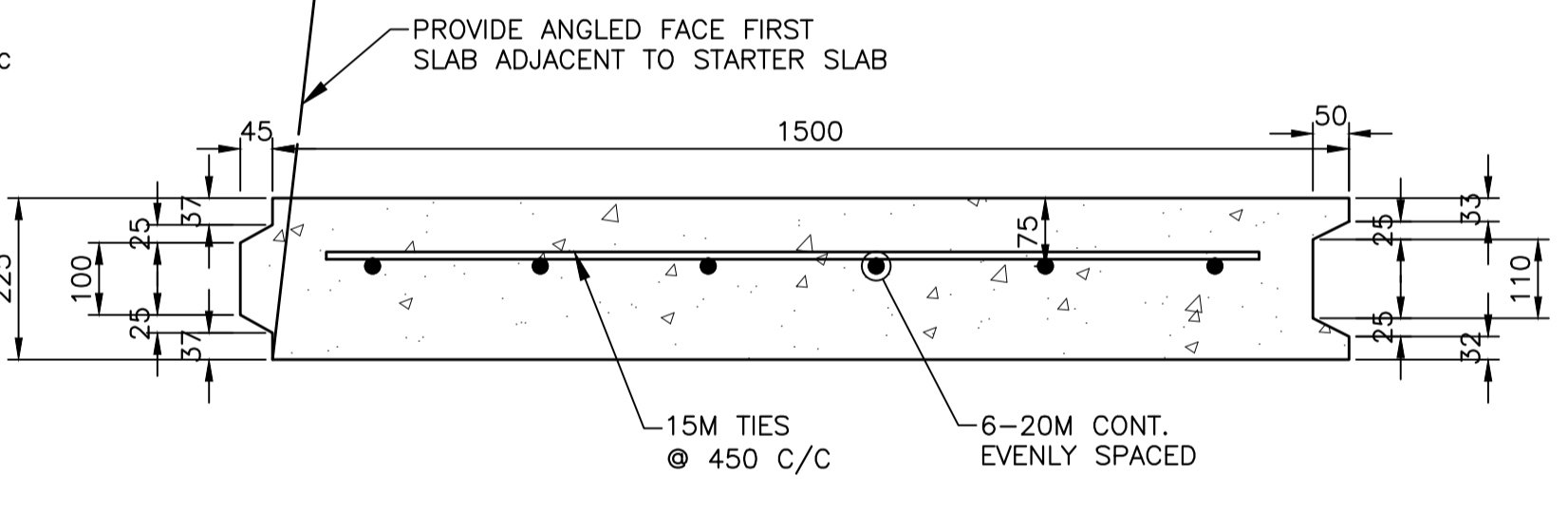


**LONGITUDINAL SLIPWAY SECTION** (1 M2)  
 SCALE: 1:75

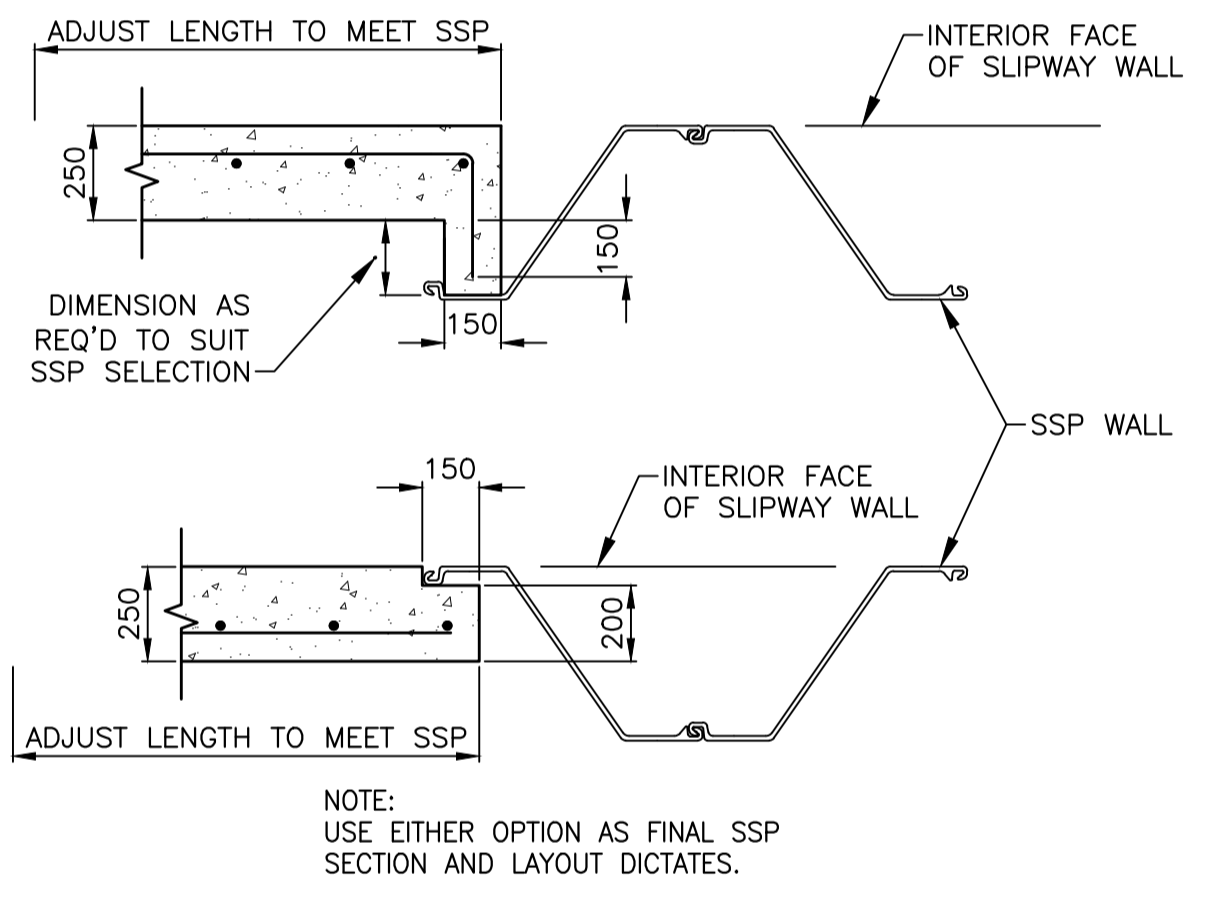


**PRECAST STARTER BEAM/DECK SLAB AT SSP** (4 M2)  
 SCALE: 1:25

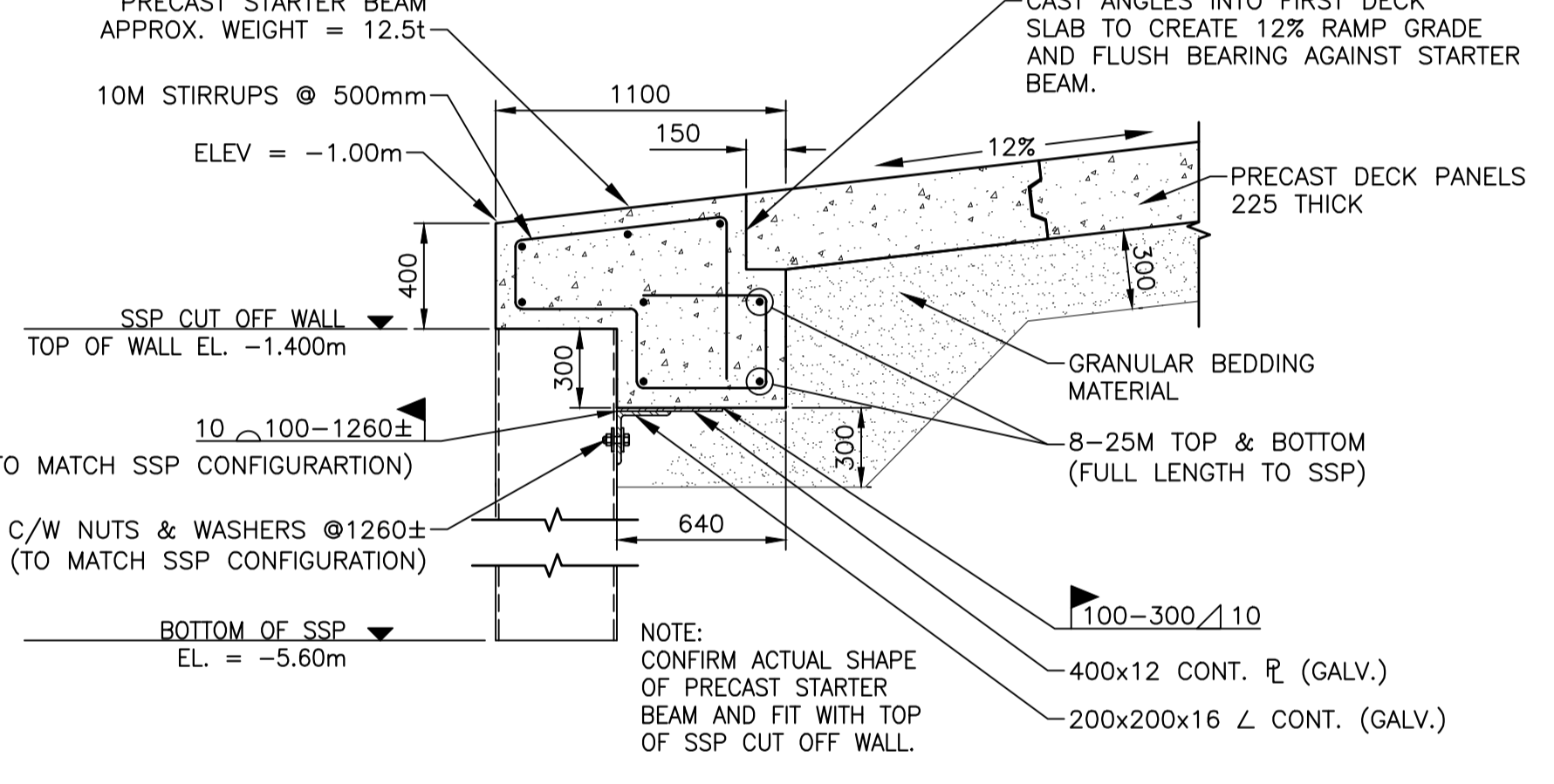
- NOTE:
1. TOP OF PRECAST SLAB TO BE FINISHED WITH COARSE BROOM SURFACE.
  2. ENSURE THAT REINFORCING IS LOCATED IN THE TOP THIRD OF THE PRECAST SLAB.
  3. LIFTING POINTS TO BE PROVIDED AT QUARTER POINTS.
  4. APPROX. WEIGHT OF PRECAST DECK SLAB = 6.5t
  5. DECK PANELS CAN BE CONSTRUCTED 100 NARROWER THAN SLIPWAY (7520) FOR EASE OF PLACEMENT.



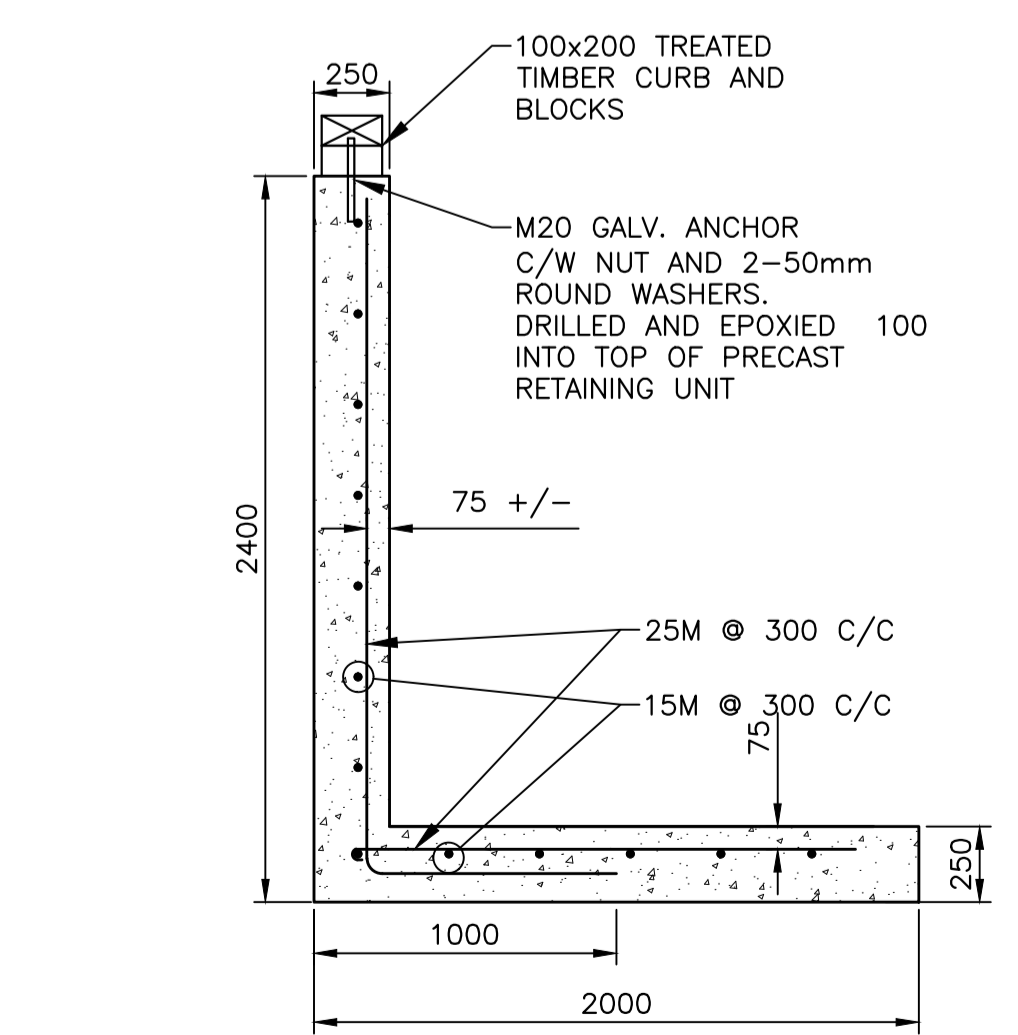
**SECTION - PRECAST SLAB DETAILS** (2 M2)  
 SCALE: 1:10



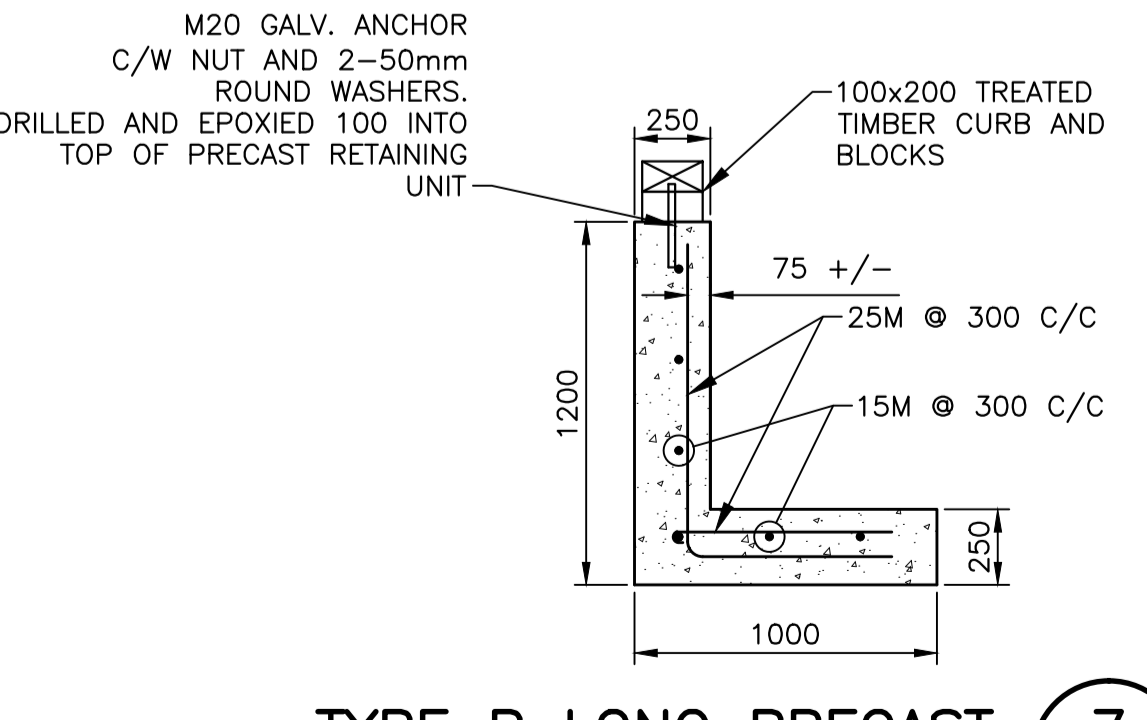
**SSP - PRECAST CONCRETE RETAINING UNIT CONNECTION** (3 M2)  
 SCALE: 1:20



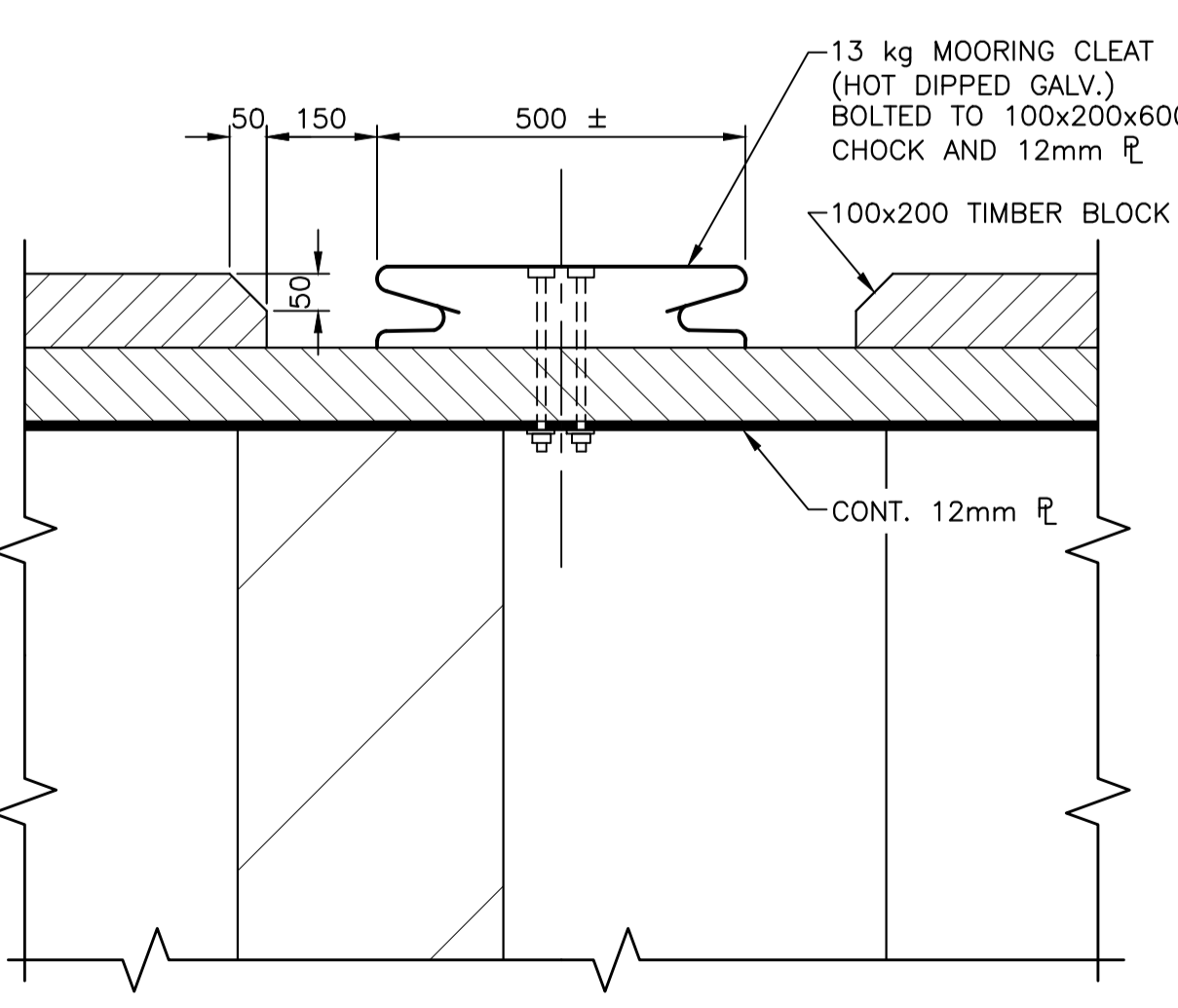
**PRECAST STARTER BEAM DETAIL** (5 M2)  
 SCALE: 1:25



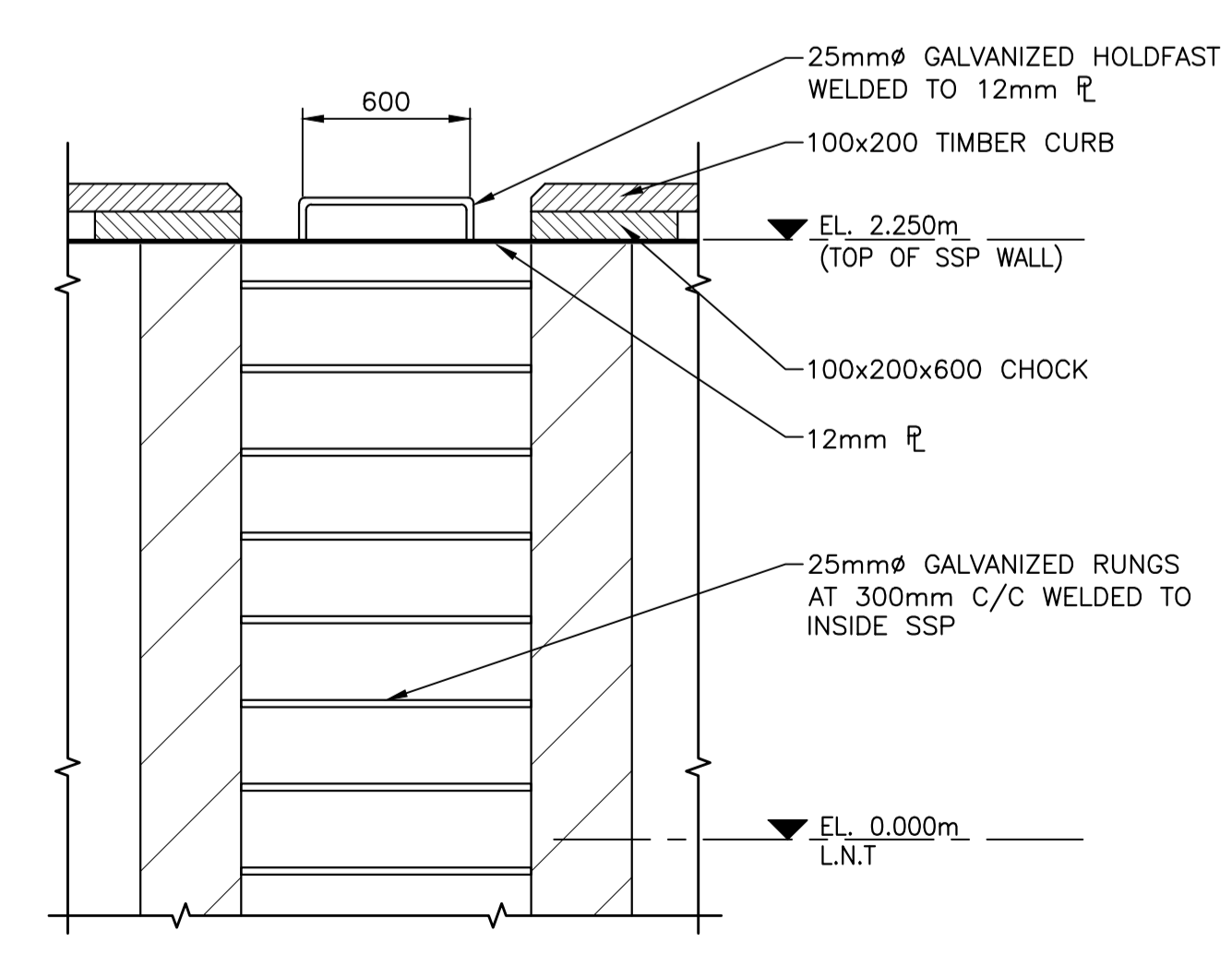
**TYPE A PRECAST RETAINING UNIT** (6 M2)  
 SCALE: 1:25



**TYPE B LONG PRECAST RETAINING UNIT** (7 M2)  
 SCALE: 1:25



**MOORING CLEAT DETAIL** (8 M2)  
 SCALE: 1:10

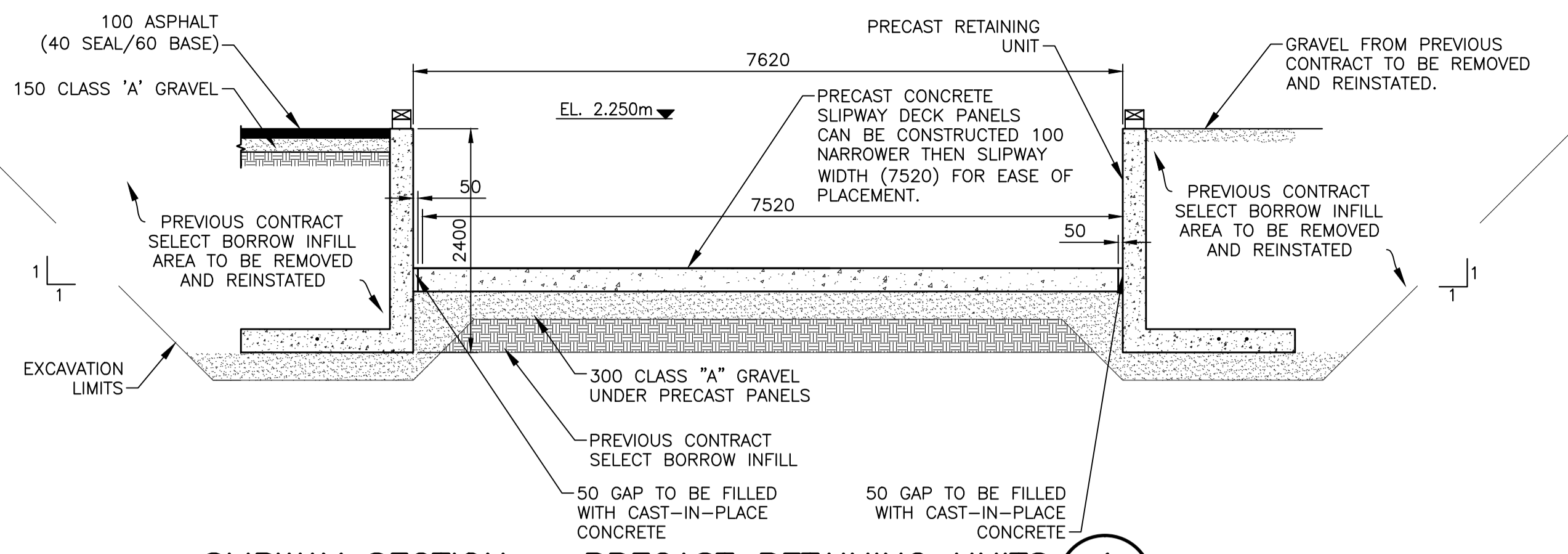


**LADDER DETAIL** (9 M2)  
 SCALE: 1:25

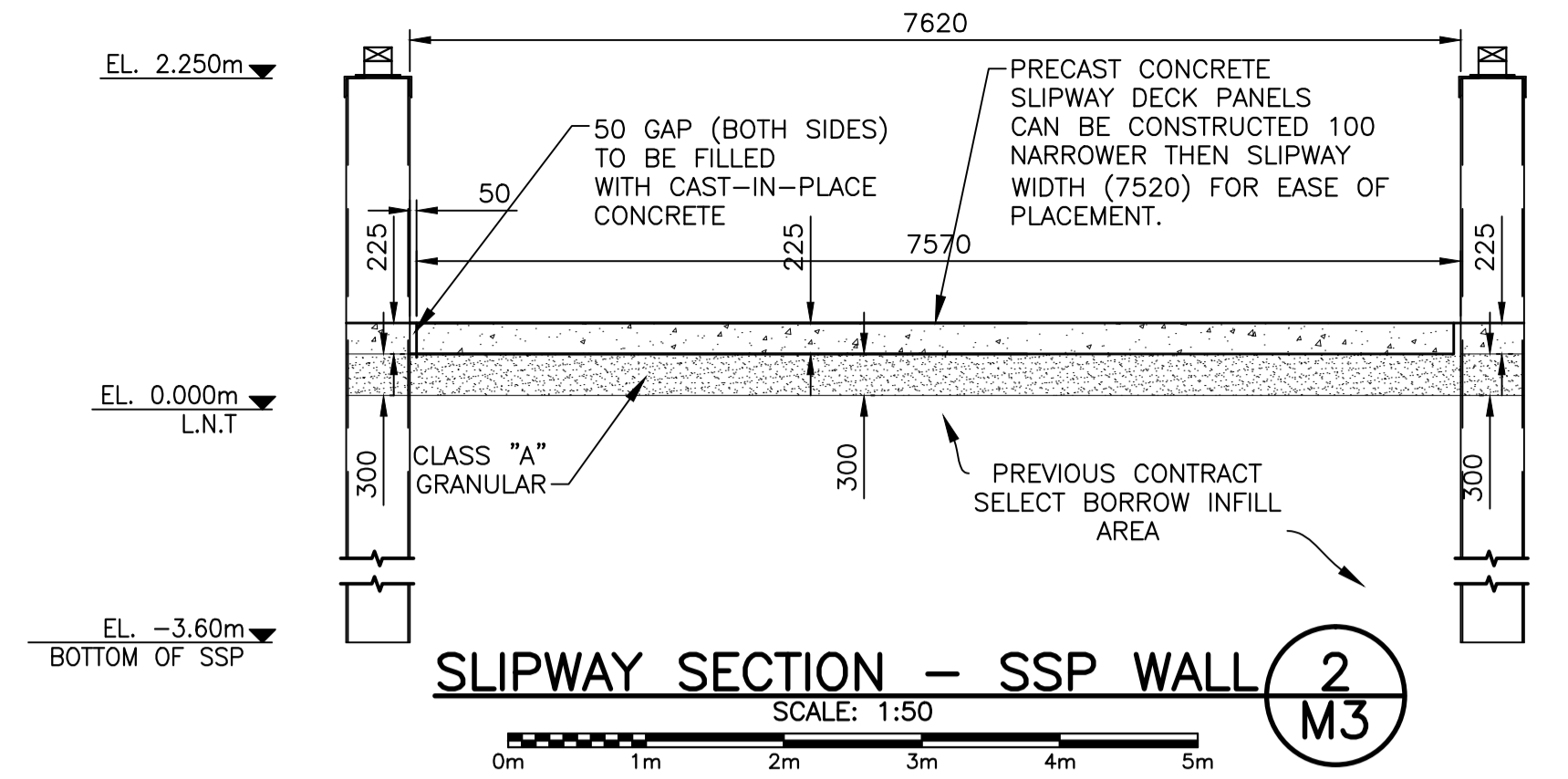
revisions	date	description
4	09/11/2015	ISSUED FOR TENDER
3	09/02/2015	ISSUED FOR 100% REVIEW
2	08/18/2015	ISSUED FOR 99% REVIEW
1	08/04/2015	ISSUED FOR 60% REVIEW
0	07/21/2015	ISSUED FOR REVIEW

project: **TRACADIE LAUNCH FACILITY CONSTRUCTION 502P TRACADIE QUEENS COUNTY, PEI**

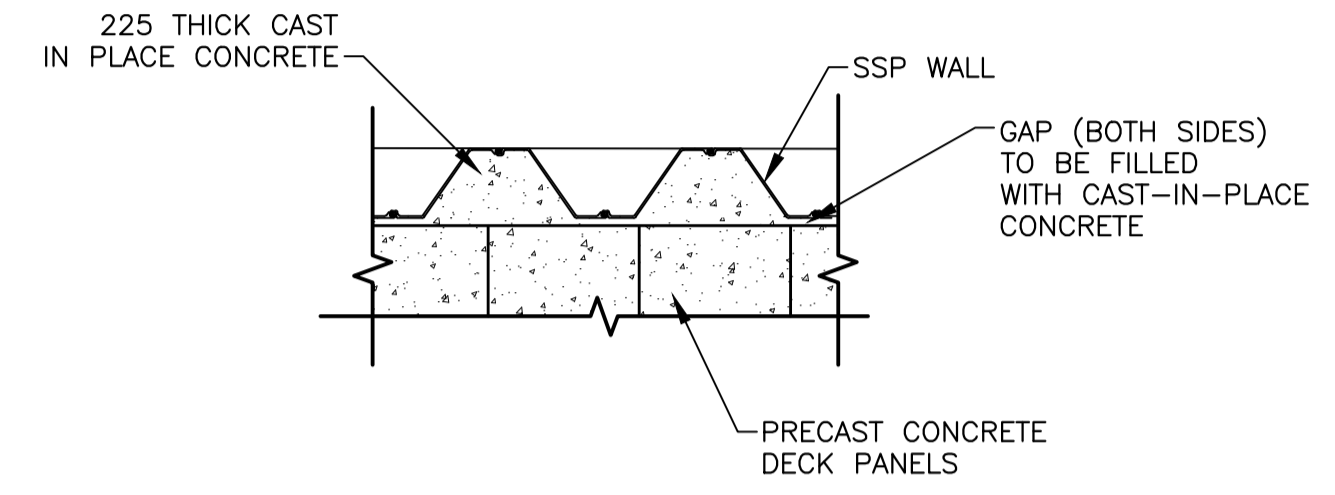
designed: T. HARLAND  
 date: JULY 20, 2015  
 drawn: M. MACKAY / E. BALDERSTON  
 date: SEPTEMBER 2, 2015  
 approved: [Signature]  
 date: [Date]  
 Tender: [Signature]  
 PWSC Project Manager: [Signature]  
 project number: 721672  
 drawing no.: M2



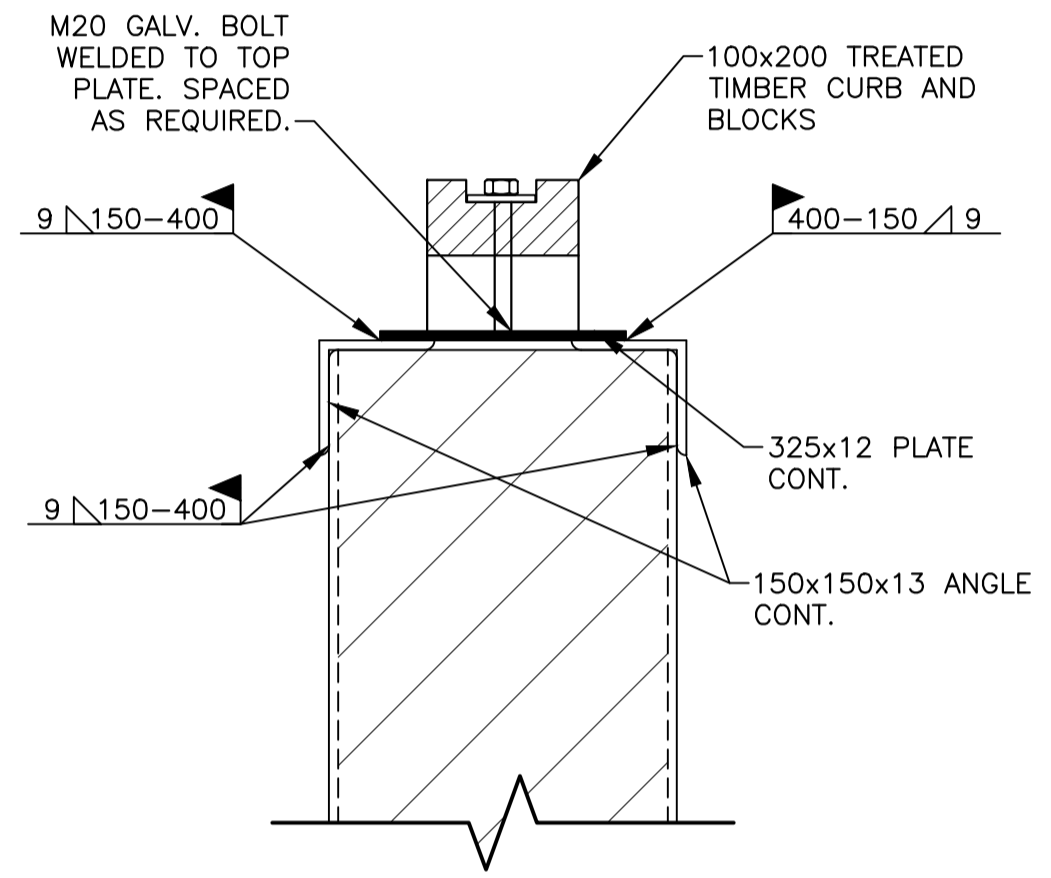
**SLIPWAY SECTION - PRECAST RETAINING UNITS** (1) M3  
SCALE: 1:50



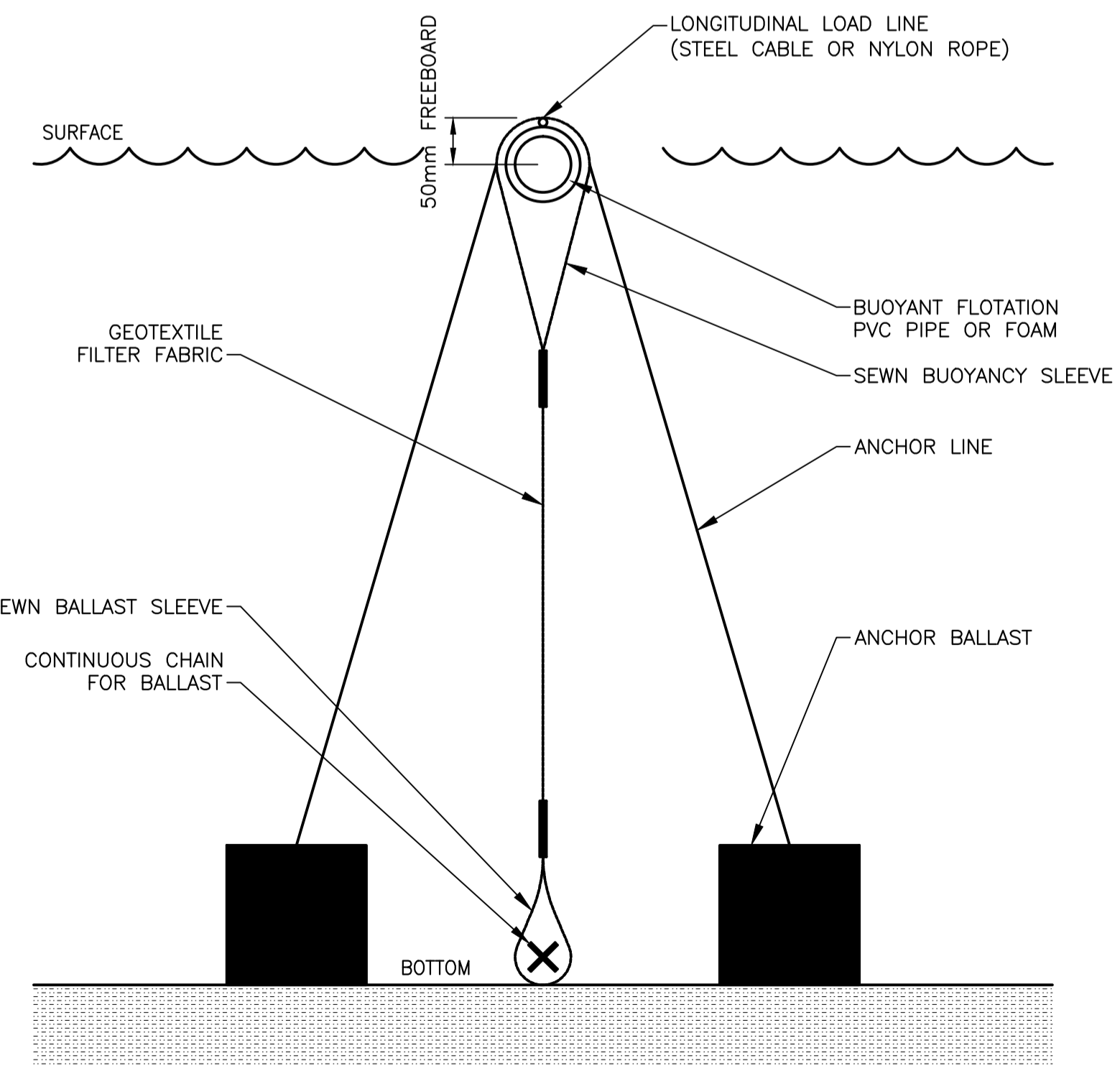
**SLIPWAY SECTION - SSP WALL** (2) M3  
SCALE: 1:50



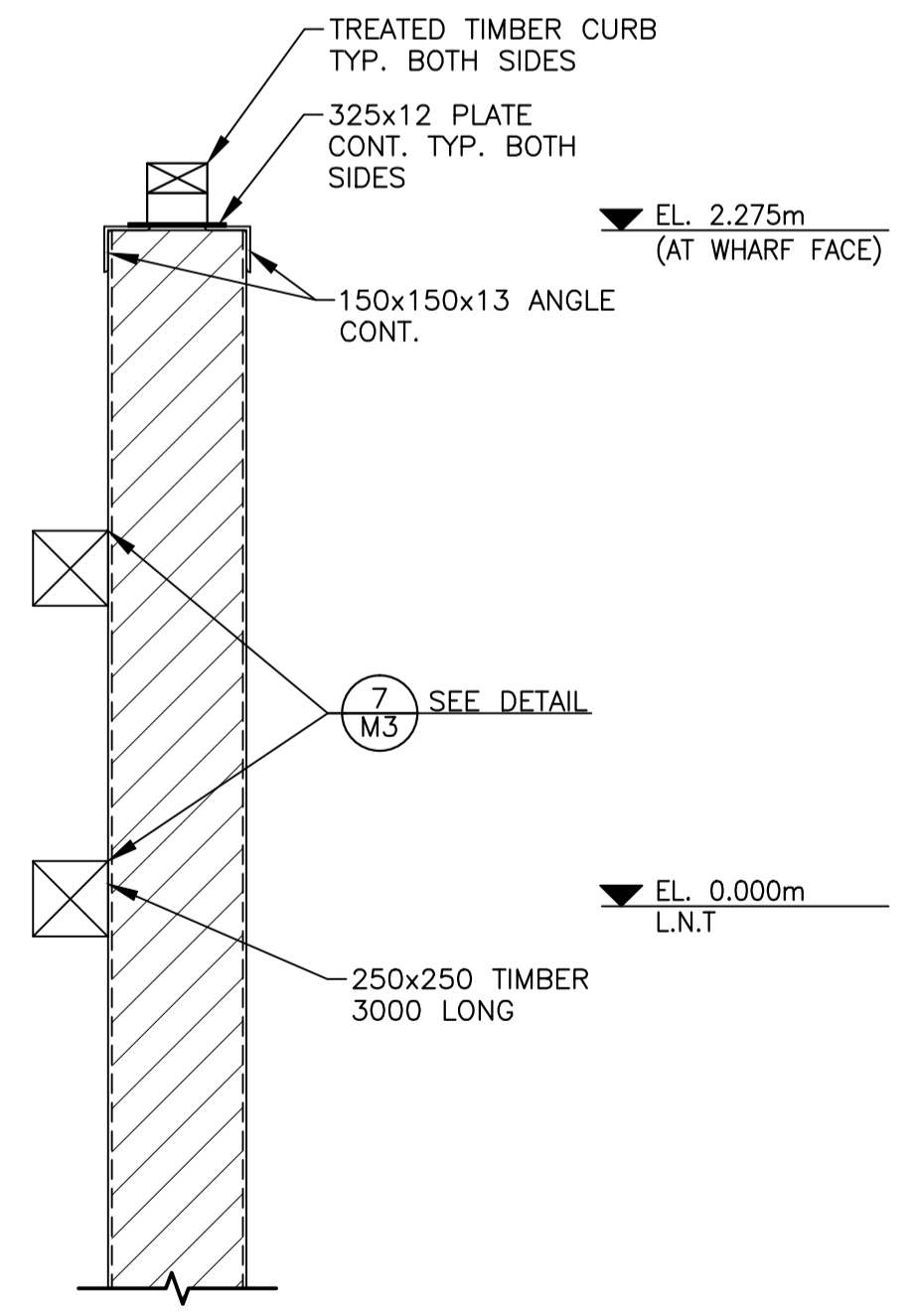
**PLAN VIEW - SSP/DECK PANEL** (3) M3  
SCALE: 1:50



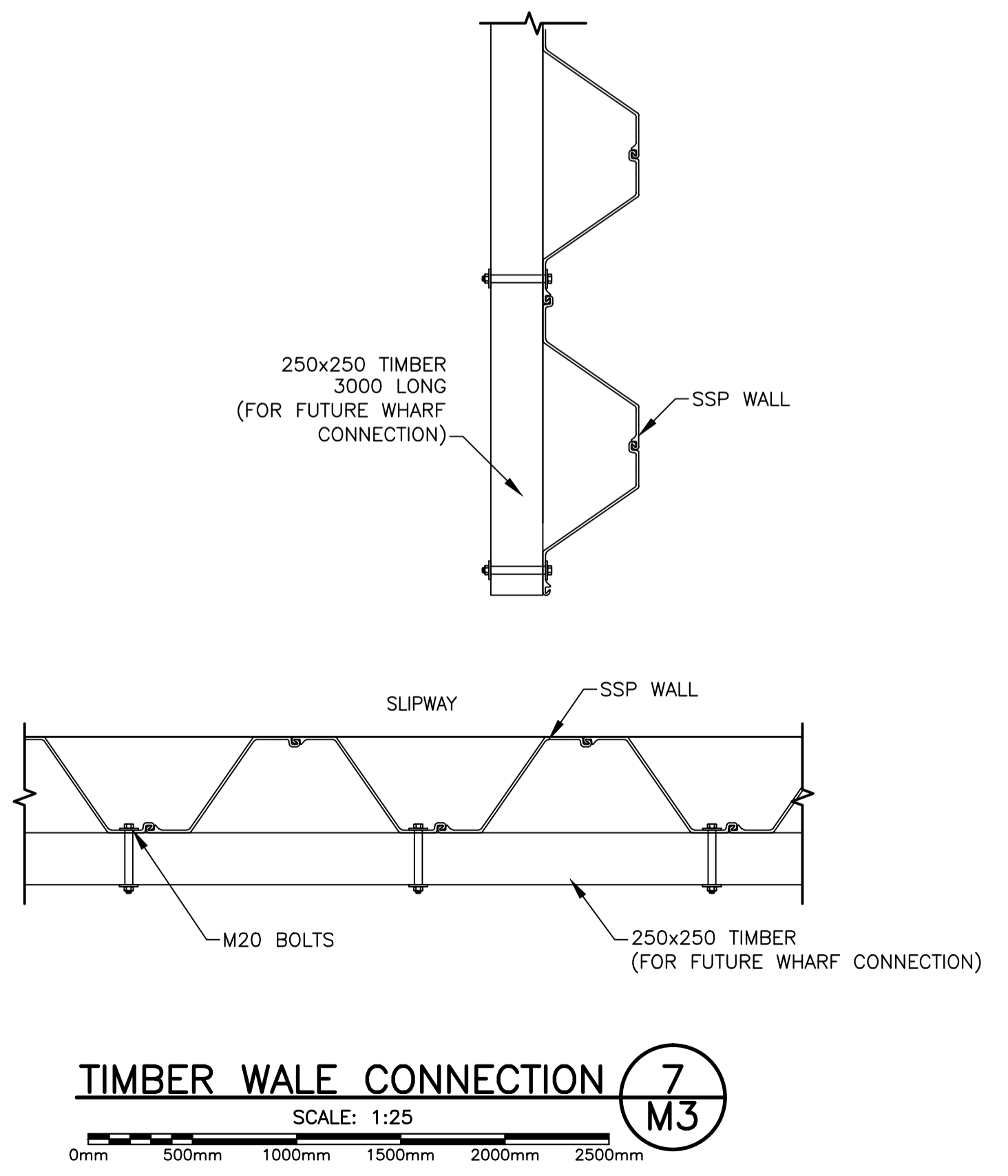
**SSP CURB DETAIL** (4) M3  
SCALE: 1:10



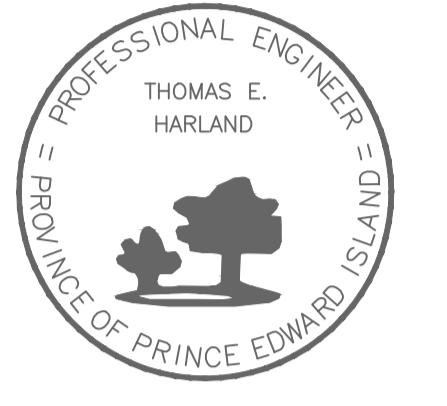
**TYP. SILT BOOM** (5) M3  
SCALE: N.T.S.



**FUTURE WHARF/SSP CONNECTION DETAIL** (6) M3  
SCALE: 1:25



**TIMBER WALE CONNECTION** (7) M3  
SCALE: 1:25



4	ISSUED FOR TENDER	09/11/2015
3	ISSUED FOR 100% REVIEW	09/02/2015
2	ISSUED FOR 99% REVIEW	08/18/2015
1	ISSUED FOR 60% REVIEW	08/04/2015
0	ISSUED FOR REVIEW	07/21/2015
revisions		date

project  
**TRACADIE LAUNCH FACILITY CONSTRUCTION 502P TRACADIE QUEENS COUNTY, PEI**

**SLIPWAY SECTIONS & DETAILS**

designed	T. HARLAND	conçu
date	JULY 20, 2015	
drawn	M. MACKAY / E. BALDERSTON	dessiné
date	SEPTEMBER 2, 2015	
approved		approuvé
date		
Tender		Soumission
PWGC Project Manager	Administrateur de projets TPSCG	
project number	721672	no. du projet
drawing no.	M3	no. du dessin