

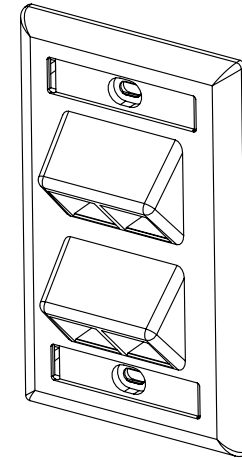
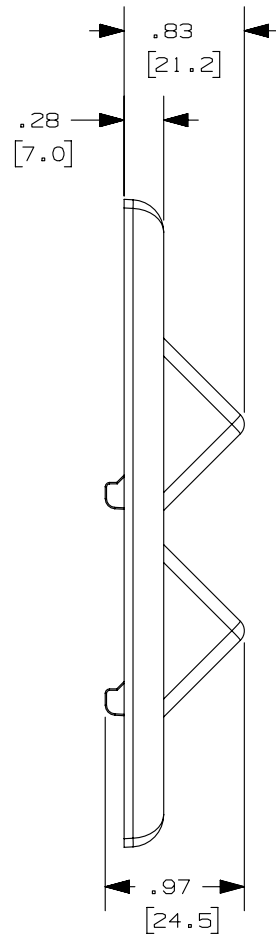
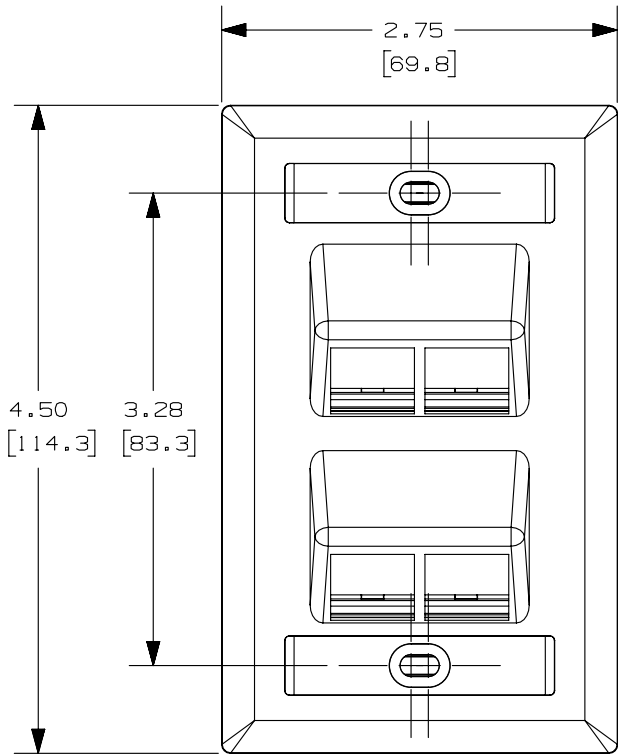
THIS COPY IS PROVIDED ON A RESTRICTED BASIS AND IS NOT TO BE USED IN ANY WAY DETRIMENTAL TO THE INTERESTS OF PANDUIT CORP.

PANDUIT P/N	WEIGHT
NK4VSF**	.58 LB/10 PCS (262 g/10 PCS)



NOTES:

1. SEE CURRENT CATALOG FOR ADDITIONAL PART SUFFIXES TO INDICATE COLOR AND OR PACKAGE QUANTITY.
2. FACEPLATE WILL ACCEPT FOUR NETKEY MODULES.
3. PART INCLUDES:
 - 1- FACEPLATE
 - 2- MOUNTING SCREWS
 - 2- LABELS
 - 2- LABEL COVERS
4. DIMENSIONS IN PARENTHESES ARE IN METRIC.



PART NUMBER		NK4VSF**	
TITLE			
NETKEY 4 PORT VERTICAL SLOPED FACEPLATE WITH LABELS			
CUSTOMER DRAWING			
ITEM REVISION NAME		09M110DA/07	
DATASET FILE NAME		09M110DA_DC02/07C	
UNLESS OTHERWISE SPECIFIED, DIMENSIONAL TOLERANCES ARE: IN [mm]		MATERIAL:	
.x ± .03 [.8]		ABS	
.xxx ± .010 [.3]		DRAWING NUMBER:	
ANGLES ±		09M110DA-02	
THIRD ANGLE PROJECTION		SHT 1 OF 1	
DRAWN BY	DATE	CHK	SCALE
MDJR	3-03-11	MBVE	NONE
REV	DATE	BY	CHK

3	6-23-14	MDJR	REFR	LPH	E. UPDATED TITLE BLOCK.	09M110DA-02
2	7-12-11	MDJR	MBVE	MBVE	D. RELEASED DRAWING FOR APPROVAL. C. REVISED WEIGHT. B. REVISED TITLE FOR ERROR.	09M110DA-02
1	5-19-11	MDJR			A. UPDATED MODEL TO REV. 07.	09M110DA-02
R	3-03-11	MDJR			RELEASED TO PRODUCTION	09M110DA-02
REV	DATE	BY	CHK	APR	DESCRIPTION	ECN

D10100DA/14

2

1

2

1