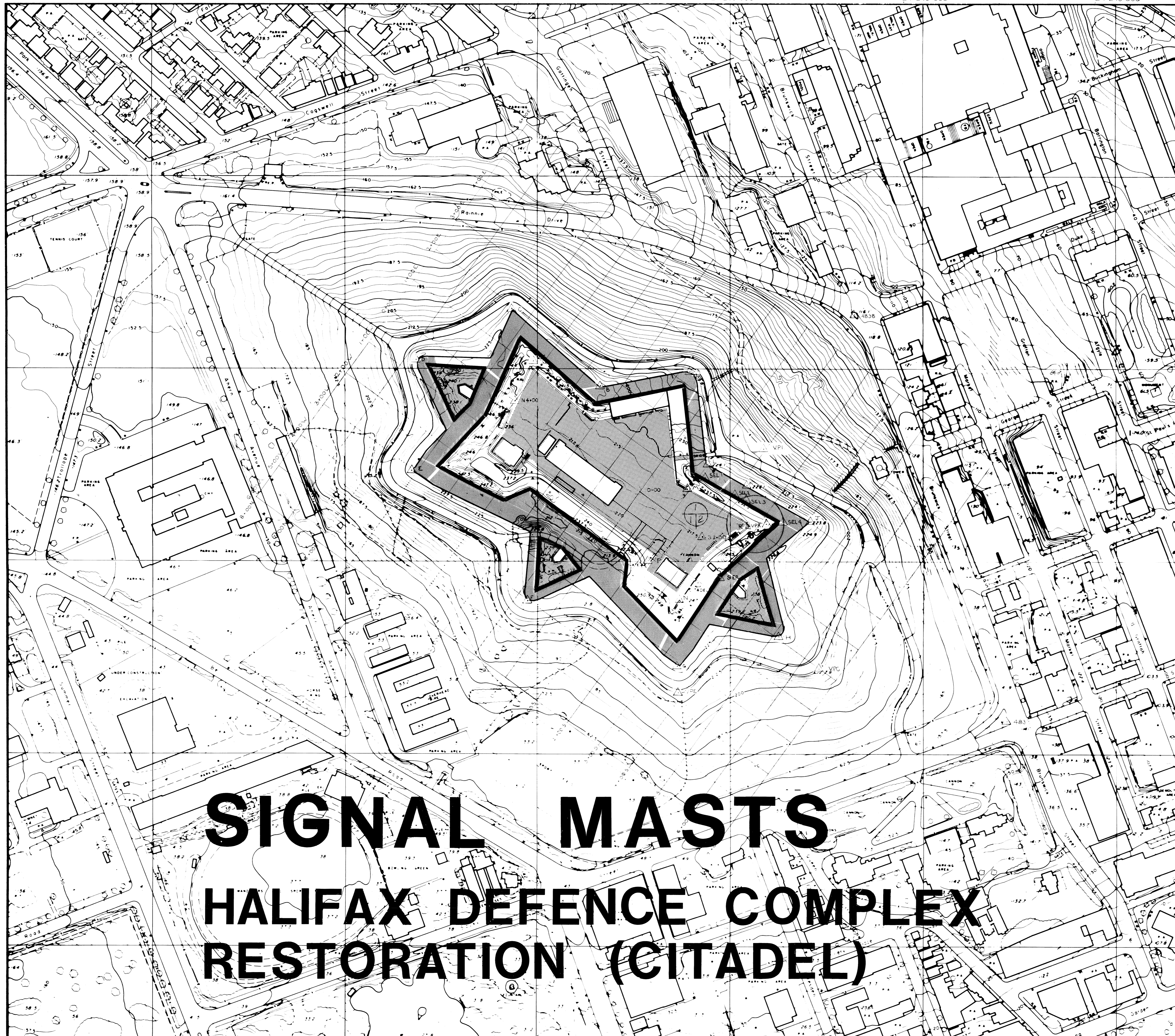
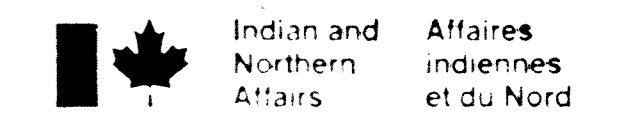


E 1 238 000 E 1 238 500 E 1 239 000 E 1 239 500 E 1 240 000 E 1 240 500



M.T.M. GRID CO-ORDINATES
 POINT 'H' → E - 377146.740
 N - 4945331.607 METRIC
 ELEV - 72.225
 → E - 1239 392.192
 N - 16 225 188.999 IMPERIAL
 ELEV - 236.959
 POINT 'P' → E - 377735.963
 N - 4945380.423 METRIC
 ELEV - 73.745
 → E - 1239 291.217
 N - 16 225 001.388 IMPERIAL
 ELEV - 241.946
 POINT 'R' → E - 377813.245
 N - 4945401.754 METRIC
 ELEV - 72.368
 → E - 1239 846.729
 N - 16 225 091.056 IMPERIAL
 ELEV - 237.428



LIST OF DRAWINGS

1. LOCATION PLAN COORDINATES M.T.M. & CITADEL GRIDS
2. SITE PLAN
3. EAST ELEVATION SIGNAL MASTS & POST
4. NORTH ELEVATION
5. MASTS
6. YARDS
7. PLAN - SIGNAL MAST PLATFORM
8. SECTIONS, ELEVATION - SIGNAL MAST PLATFORM
9. SECTIONS, ISOMETRIC - ANCHORING RODS FOR SIGNAL MAST
10. PLAN, SECTION, ELEVATIONS, DETAIL - PIN RAIL
11. DETAILS OF SIGNAL MAST BASE & CHEEKS
12. DETAILS
13. DETAILS
14. DETAILS
15. TELEGRAPH MAST DETAILS
16. DEAD EYES, ROPE LISTS & BLOCK LIST
17. DETAILS OF TELEGRAPH MAST & PIN RAIL
18. BLOCK DETAIL, NUT RING BOLT
19. STRAP ASSEMBLY FOR SIGNAL MAST
20. LIGHTNING PROTECTION SYSTEM

HALIFAX DEFENCE COMPLEX ENGINEERING	
APPROVALS	DATE
PROJECT MANAGER	
PARK SUPERINTENDENT	
RESEARCH	
INTERPRETATION	
ENGINEERING	
HALIFAX DEFENCE COMPLEX ENGINEERING	
RECOMMENDED BY DESIGN TEAM	
INTERPRETATION	
RESEARCH	
ARCHAEOLOGIST	
ENGINEERING	
ARCHITECTURAL	

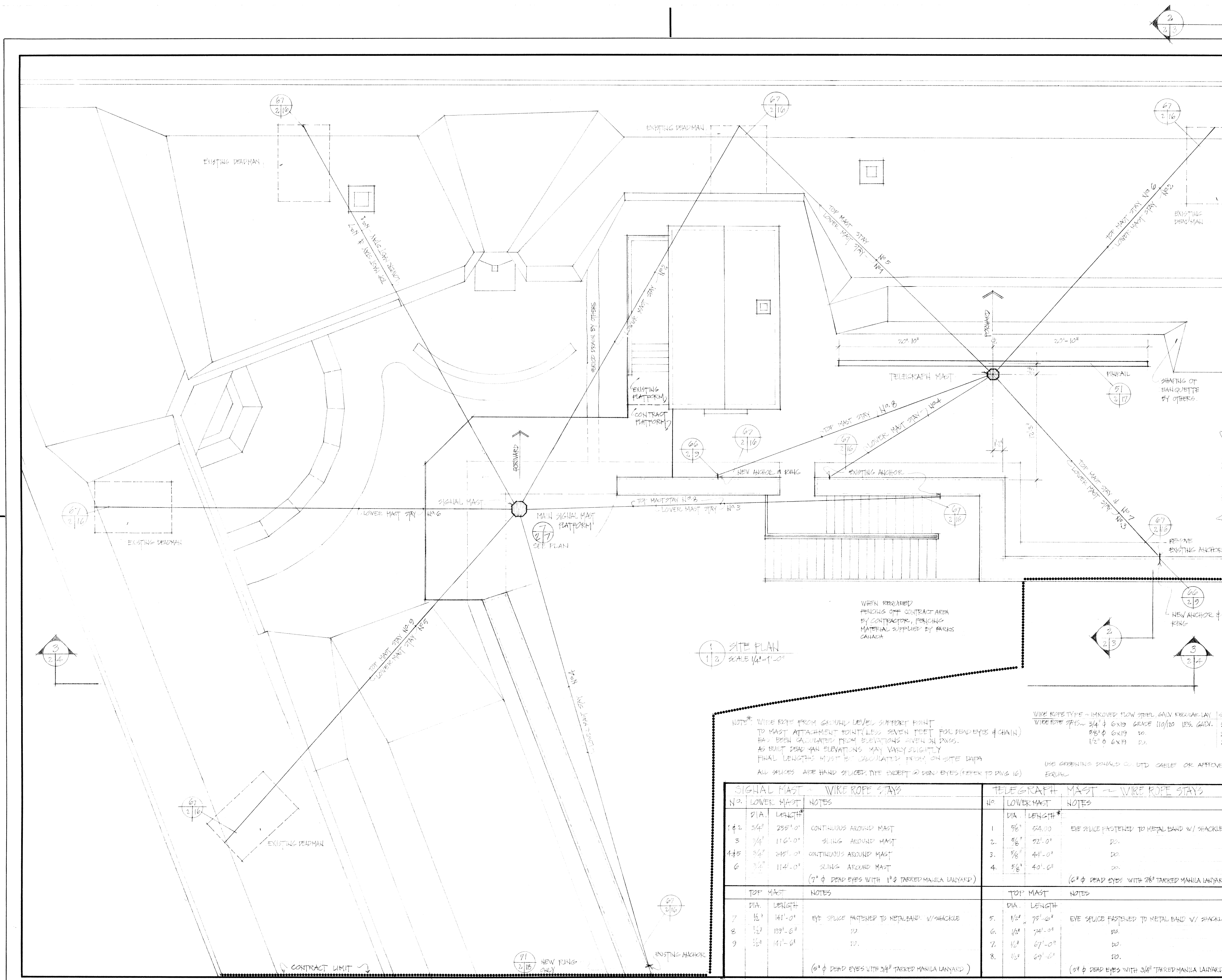
GISENOR 1:100
 04/05/79
Halifax

**SIGNAL MASTS
 HALIFAX DEFENCE COMPLEX
 RESTORATION (CITADEL)**

SIGNAL MASTS
 LOCATION PLAN CO-ORDINATES M.T.M. & CITADEL GRIDS

HAHC 80/P8 DWG. NO. 123
 SIGNAL MASTS HALIFAX DEFENCE
 RESTORATION CITADEL ASSET
 NO. 0032
 SIGNAL MASTS LOCATION PLAN CO-
 ORDINATES M.T.M. & CITADEL GRIDS
 JANUARY 29 1982

E 1 238 000 E 1 238 500 E 1 239 000 E 1 239 500 E 1 240 000 E 1 240 500



1/3 SITE PLAN
SCALE 1/4" = 1'-0"

NOTE: WIRE ROPE FROM GROUND LEVEL SUPPORT POINT TO MAST ATTACHMENT POINT (LESS SEVEN FEET FOR DEAD EYES & CHAIN) HAS BEEN CALCULATED FROM ELEVATIONS GIVEN ON DWGS. AS BUILT DEAD MAN ELEVATIONS MAY VARY SLIGHTLY FINAL LENGTHS MUST BE CALCULATED FROM ON SITE DATA. ALL BRICES ARE HAND SLICER TYPE EXCEPT DEAD EYES (REFER TO DWG 16)

WIRE ROPE TYPE - IMBROVED FLOW STEEL GALV. EQUAL-LAY
WIRE ROPE STAYS - 3/4" x 6x19 GRADE 110/20 LES. GALV. 5.0
8/8" x 6x19 DO. 3.5
1/2" x 6x19 DO. 2.4
USE GREENING SHOULD CUT DED CABLES OR APPROVED EQUAL

SIGNAL MAST - WIRE ROPE STAYS		
NO.	LOWER MAST	NOTES
1 & 2	3/4" 235'-0"	CONTINUOUS AROUND MAST
3	3/4" 116'-0"	SLING AROUND MAST
4 & 5	3/4" 245'-0"	CONTINUOUS AROUND MAST
6	3/4" 114'-0"	SLING AROUND MAST (9" φ DEAD EYES WITH 1" TARKED MANILA LANYARD)
TOP MAST		
NO.	DIA.	LENGTH
7	1/2"	141'-0"
8	1/2"	139'-6"
9	1/2"	141'-6"
(6" φ DEAD EYES WITH 3/4" TARKED MANILA LANYARD)		

TELEGRAPH MAST - WIRE ROPE STAYS		
NO.	LOWER MAST	NOTES
1	5/8"	54'-00"
2	3/8"	92'-0"
3	5/8"	41'-0"
4	5/8"	40'-0"
(6" φ DEAD EYES WITH 3/4" TARKED MANILA LANYARD)		
TOP MAST		
NO.	DIA.	LENGTH
5	1/2"	75'-0"
6	1/2"	74'-0"
7	1/2"	67'-0"
8	1/2"	69'-0"
(6" φ DEAD EYES WITH 3/4" TARKED MANILA LANYARD)		

revisions

no.	description	date

DESIGNED BY: [Signature]
CHECKED BY: [Signature]
DATE: 20-1-82

APPROVED BY: [Signature]
DATE: 20-1-82

SCALE / échelle: 1/4" = 1'-0"

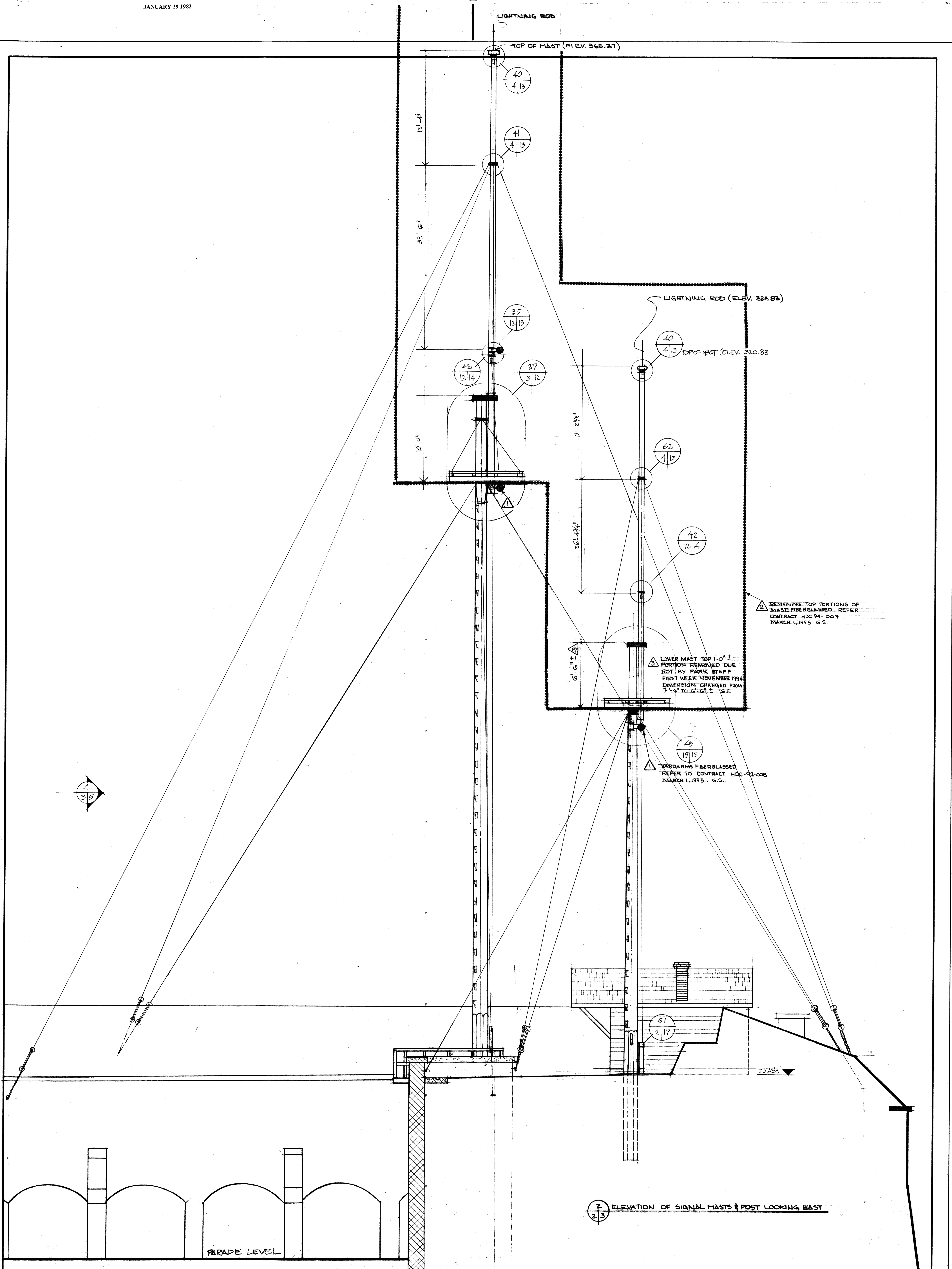
designed by / établi par: DESIGN TEAM
checked by / vérifié par: G.O. FLEISCHER

job captain / chef du projet: [Signature] date: [Signature]
responsible officer / officier responsable: [Signature] date: 26 FEB 82

project title / titre du projet: SIGNAL MASTS
drawing title / titre du dessin: SITE PLAN

reference no. / no de référence: HAHC 80/10
dwg no. / dessin no: 2

DATE PLOTTED: 1982.01.29 10:00 AM



2 ELEVATION OF SIGNAL MASTS & POST LOOKING EAST

<p>Indian and Northern Affairs Canada Indian and Northern Affairs Atlantic</p>	
<p>HALIFAX DEFENCE COMPLEX RESTORATION APPROVALS PROJECT MANAGER: [Signature] 12/11/82 PARK SUPERINTENDENT: [Signature] RESEARCH: [Signature] INTERPRETATION: [Signature] ENGINEERING: [Signature] M.A.V. K.O. ARCHITECTURAL: [Signature]</p>	
<p>RECOMMENDED BY DESIGN TEAM INTERPRETATION: [Signature] 7/21/82 RESARCH: K.A. W.C. 7/11/82 ARCHITECTURAL: [Signature] ENGINEERING: [Signature] ARCHITECTURAL: [Signature]</p>	
<p>DATE: [Blank] DRAWN BY / CHECKED BY: [Blank] DESIGNED BY / INSTALL BY: [Blank] CHECKED BY / VERIFY BY: [Blank] APPROVED BY: [Blank]</p>	
<p>RESPONSIBLE OFFICER / OFFICER RESPONSIBLE: [Blank] PROJECT TITLE: [Blank] TITLE OF PROJECT: [Blank]</p>	
<p>SIGNAL MASTS</p>	
<p>DATE OF DESIGN: [Blank] EAST ELEVATION SIGNAL MASTS & POST</p>	
<p>DATE OF PLOTTING: [Blank] DRAWING NO.: HARC 80/P8 SHEET NO.: 3A</p>	

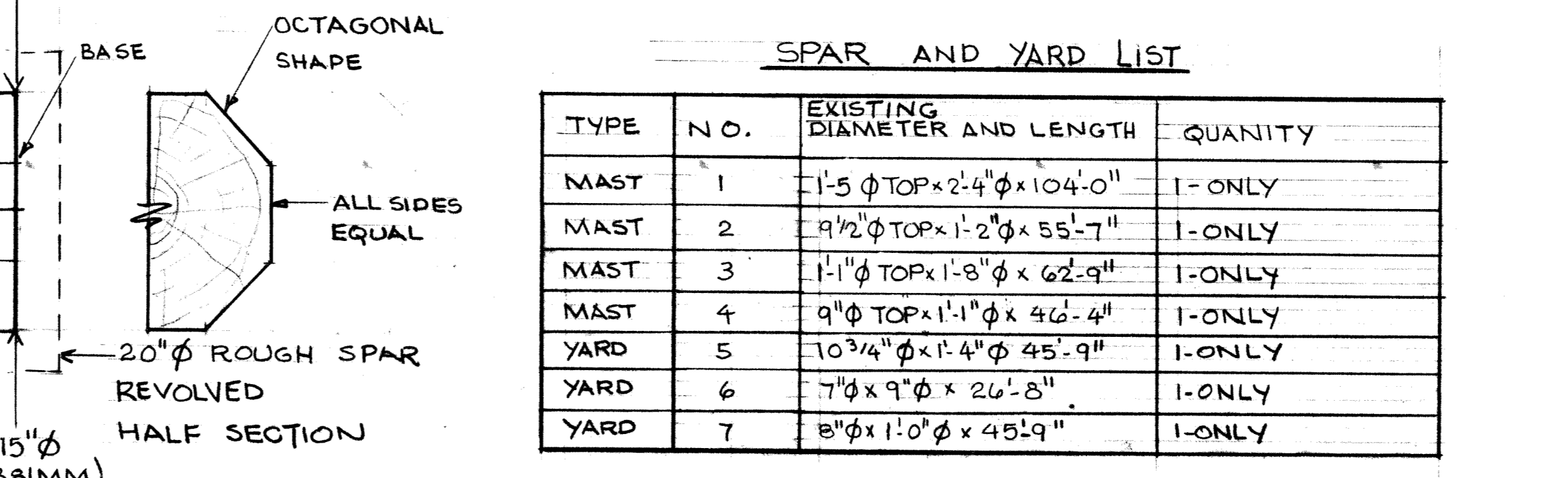
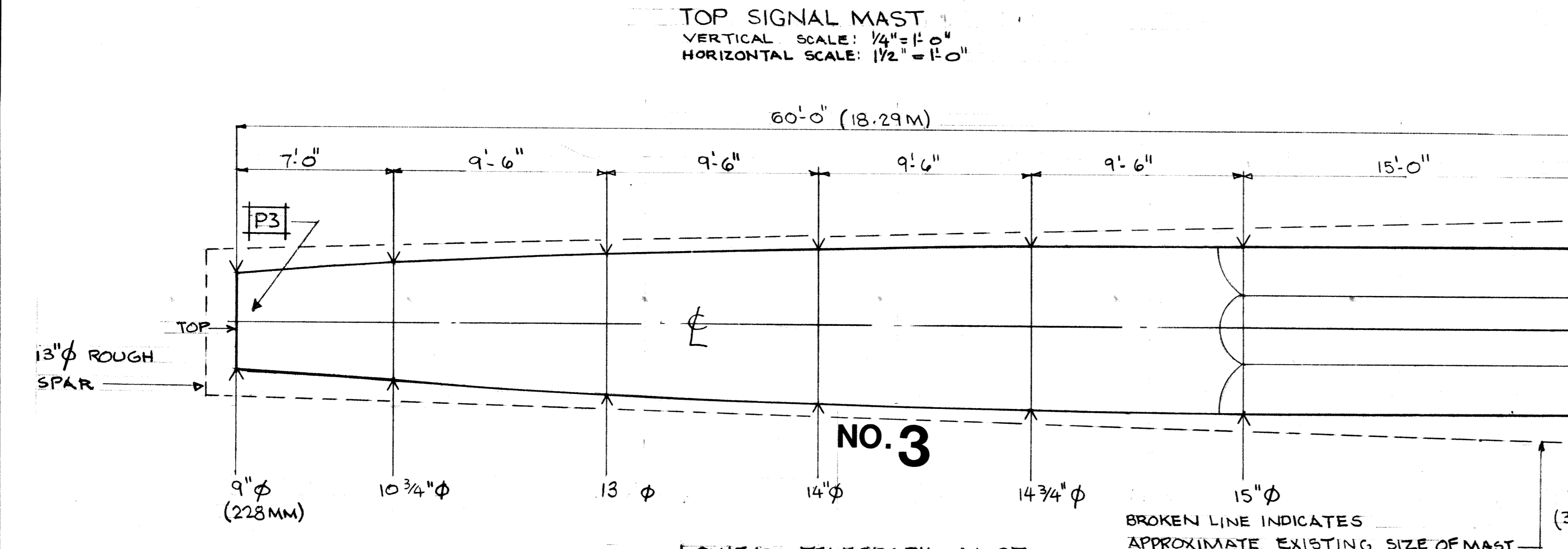
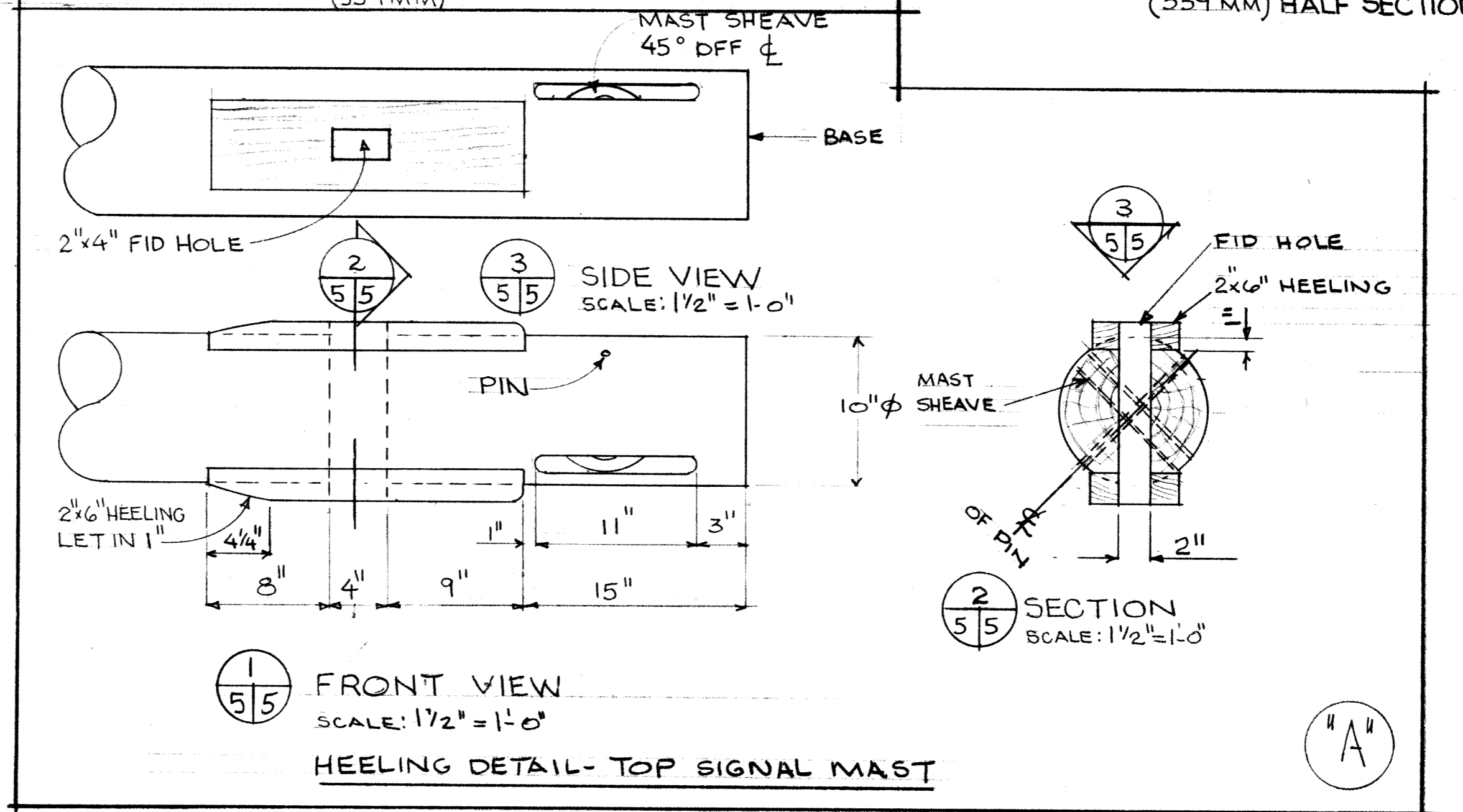
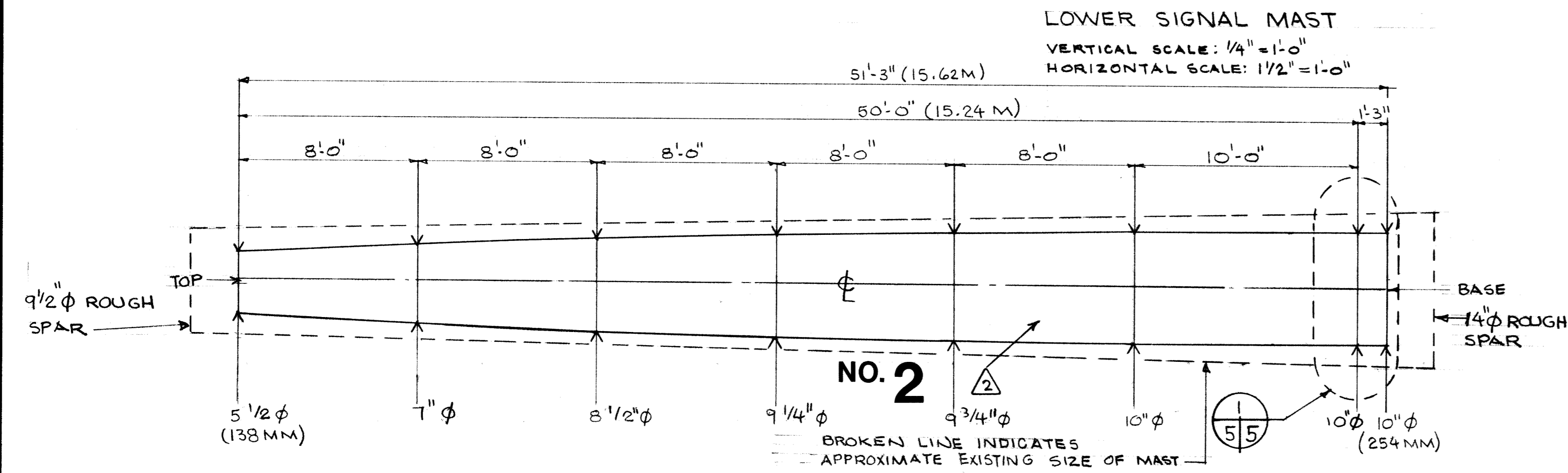
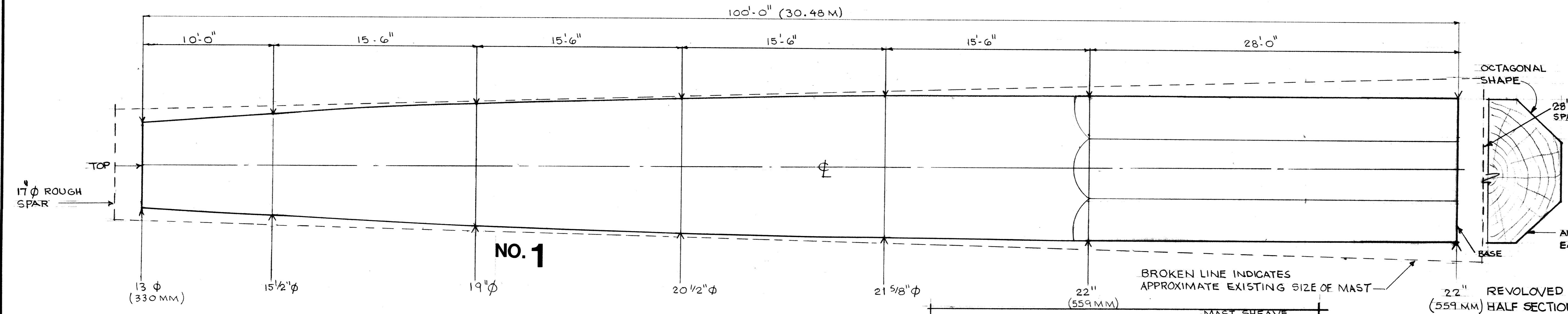
GENERAL NOTES:

① SPARS TO BE SHAPED FROM DOUGLAS FIR (PSEUDOTSUGA CARR) ONE PIECE NO LAMINATIONS.

② MAST AND YARD DESIGN BASED UPON:
 ① ARCHAEOLOGICAL EXCAVATION OF 1980 BY CHARLES BURKE.
 ② 1980 REPORT BY R.H.M. DONALD ENTITLED "STRUCTURAL INFORMATION ON BRITISH SIGNAL ESTABLISHMENTS"
 ③ INFORMATION RECEIVED FROM RICHARD FAIRWEATHER ENGINEERING OTTAWA.
 ④ RESEARCH AND INTERPRETATION OF HISTORICAL PHOTOGRAPHS BY HALIFAX CITADEL DESIGN TEAM.

③ ALL DIAMETERS ARE GIVEN EQUI-DISTANCE FROM CENTER LINE.

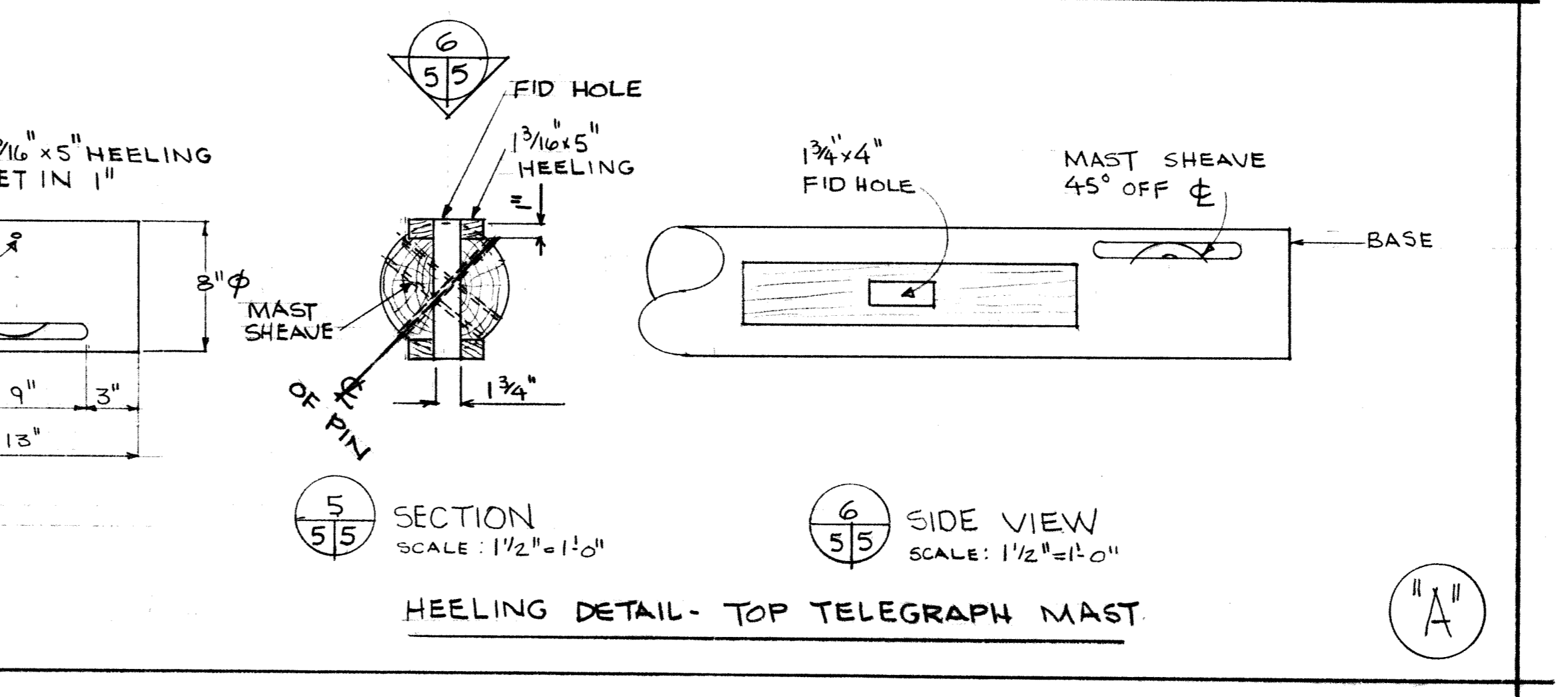
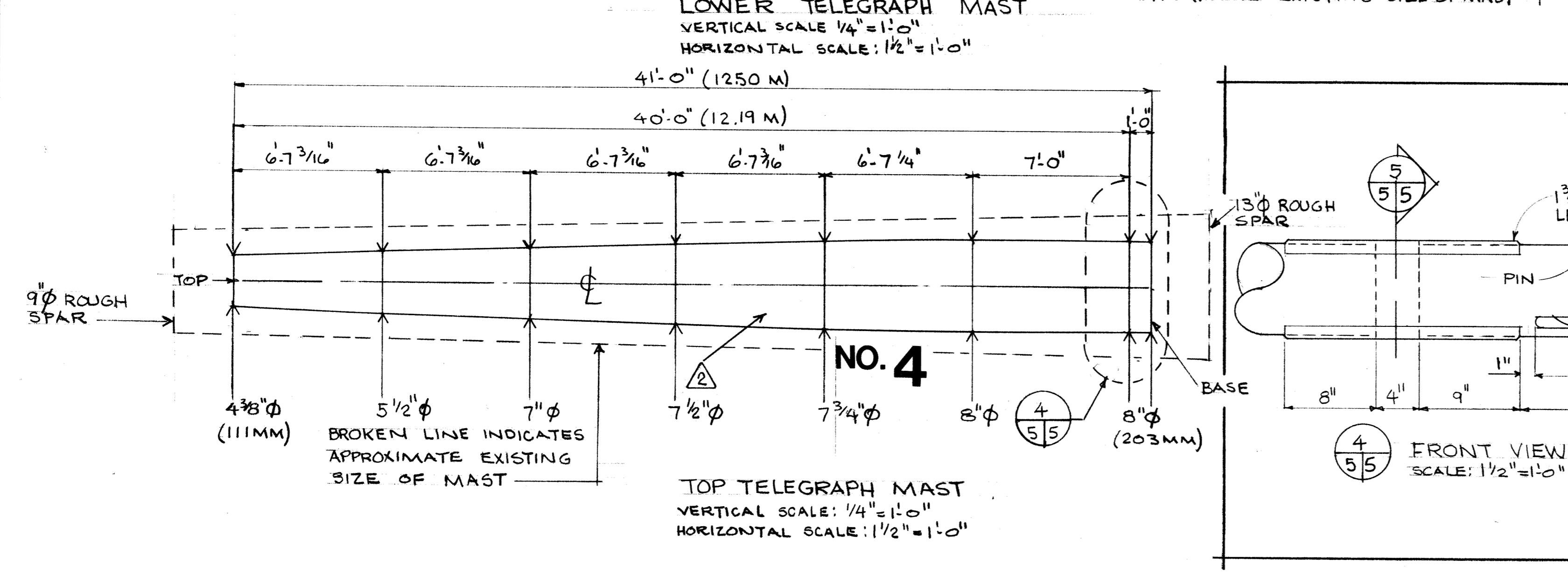
revision	date
----------	------



SPAR AND YARD LIST

TYPE	N.O.	EXISTING DIAMETER AND LENGTH	QUANTITY
MAST	1	17-5" TOP x 2'-4" x 104'-0"	1-ONLY
MAST	2	9'-2" TOP x 1'-2" x 55'-7"	1-ONLY
MAST	3	11'-1" TOP x 1'-3" x 62'-9"	1-ONLY
MAST	4	9" TOP x 1'-1" x 46'-4"	1-ONLY
YARD	5	10'-3/4" TOP x 1'-4" x 45'-9"	1-ONLY
YARD	6	7" x 9" x 26'-8"	1-ONLY
YARD	7	8" x 1'-0" x 45'-9"	1-ONLY

NOTE
SHAPING OF MASTS & YARDS NOT PART OF THIS CONTRACT



HEELING DETAIL IS PART OF THIS CONTRACT

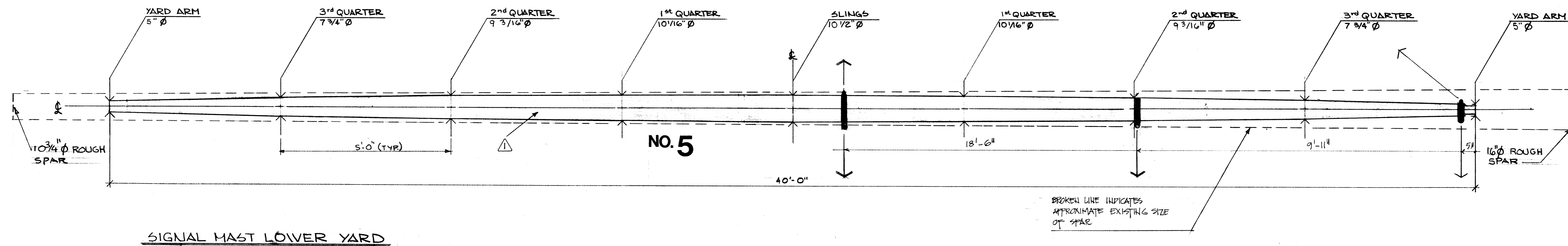
HALIFAX DEFENCE COMPLEX - ENGINEERING

APPROVALS	DATE
PROJECT MANAGER	20/01/01
PARK SUPERINTENDENT	20/01/01
RESEARCH	20/01/01
INTERPRETATION	20/01/01
ENGINEERING	20/01/01

RECOMMENDED BY DESIGN TEAM

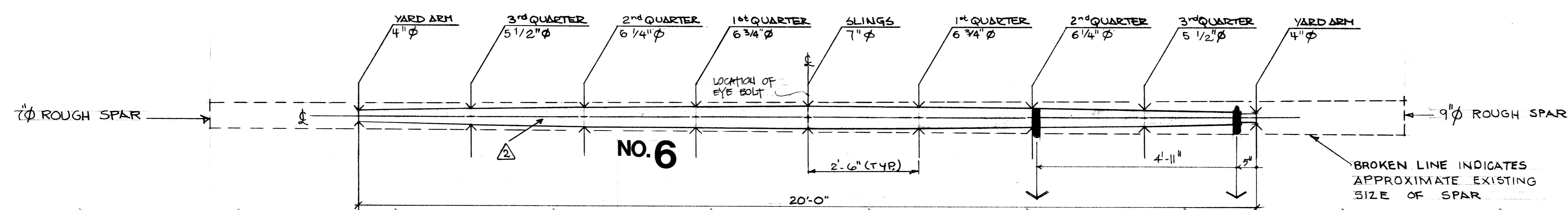
INTERPRETATION	20/01/01
RESEARCH	20/01/01
ARCHAEOLOGIST	20/01/01
ENGINEERING	20/01/01
ARCHITECTURAL	20/01/01

A detail no.	détail no.
B location dwg. no.	sur dessin no.
C drawing no.	dessin no.
drawn by / tracé par	scale / échelle
GERALD SMITH	AS SHOWN
designed by / établi par	SEE NOTE A ABOVE.
checked by / vérifié par	G.O. BUCHANAN
job captain / chef du projet	date
responsible officer / officier responsable	26 FEB 82
project title	titre du projet
SIGNAL MASTS	
drawing title	titre du dessin
MASTS	
reference no.	dwg no.
no de référence	dessin no.
HAHC 80/P8	5

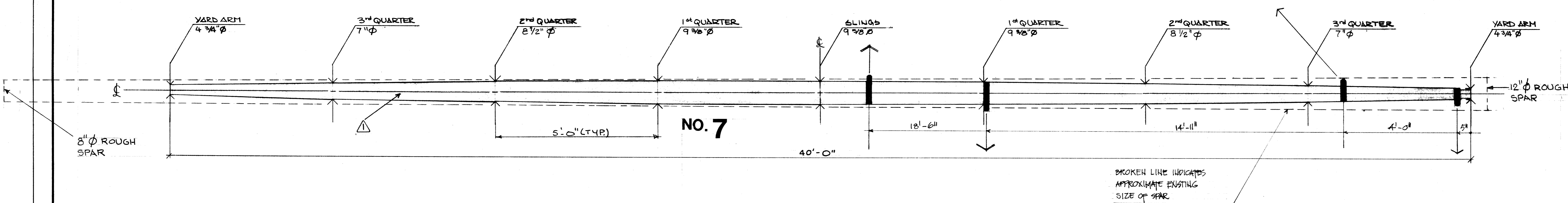


SIGNAL MAST LOWER YARD

① REFER TO DRAWING NO. 5 FOR GENERAL NOTES.
 ② ALL SPACES EQUAL.



SIGNAL MAST TOP YARD



TELEGRAPH MAST YARD

NOTE:
 SHAPES OF YARDS NOT IN THIS CONTRACT
 SEE NOTES ON DWG NO. 5

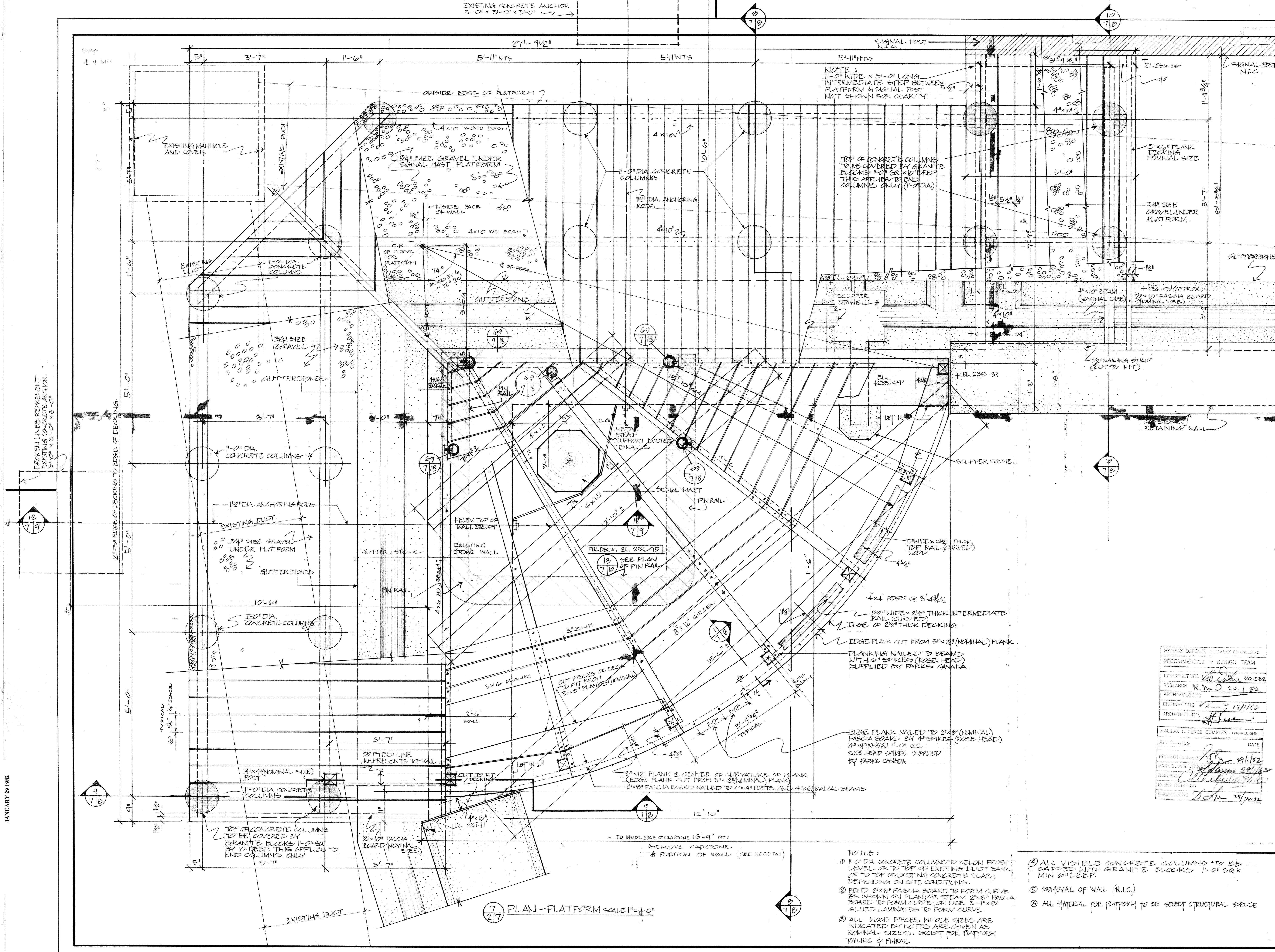
HALIFAX DEFENCE COMPLEX - ENGINEERING	
APPROVALS	DATE
PROJECT MANAGER	24/10
PARK SUPERINTENDENT	
RESEARCH	
INTERPRETATION	
ENGINEERING	23/02/81
HALIFAX DEFENCE COMPLEX ENGINEERING	
RECOMMENDED BY DESIGN TEAM	
INTERPRETATION	
RESEARCH	
ARCHAEOLOGIST	
ENGINEERING	29/11/82
ARCHITECTURAL	

A detail no.	detail no.
B location dwg. no.	sur dessin no.
C drawing no.	dessin no.

drawn by / tracé par	scale / échelle
designed by / établi par	2 1/4" = 1'-0"
checked by / vérifié par	
job captain / chef du projet	date
responsible officer / officier responsable	date
project title	titre du projet

SIGNAL MASTS	
drawing title / titre du dessin	
YARDS & BAND LOCATION	
reference no. / no de référence	dwg no. / dessin no.
HAHC 80/PS	6

HAHC 80/PS
 SIGNAL MASTS HALIFAX DEFENCE
 COMPLEX RESTORATION CITADEL ASSET
 NO. 00322
 YARD & BAND LOCATION
 JANUARY 29 1982

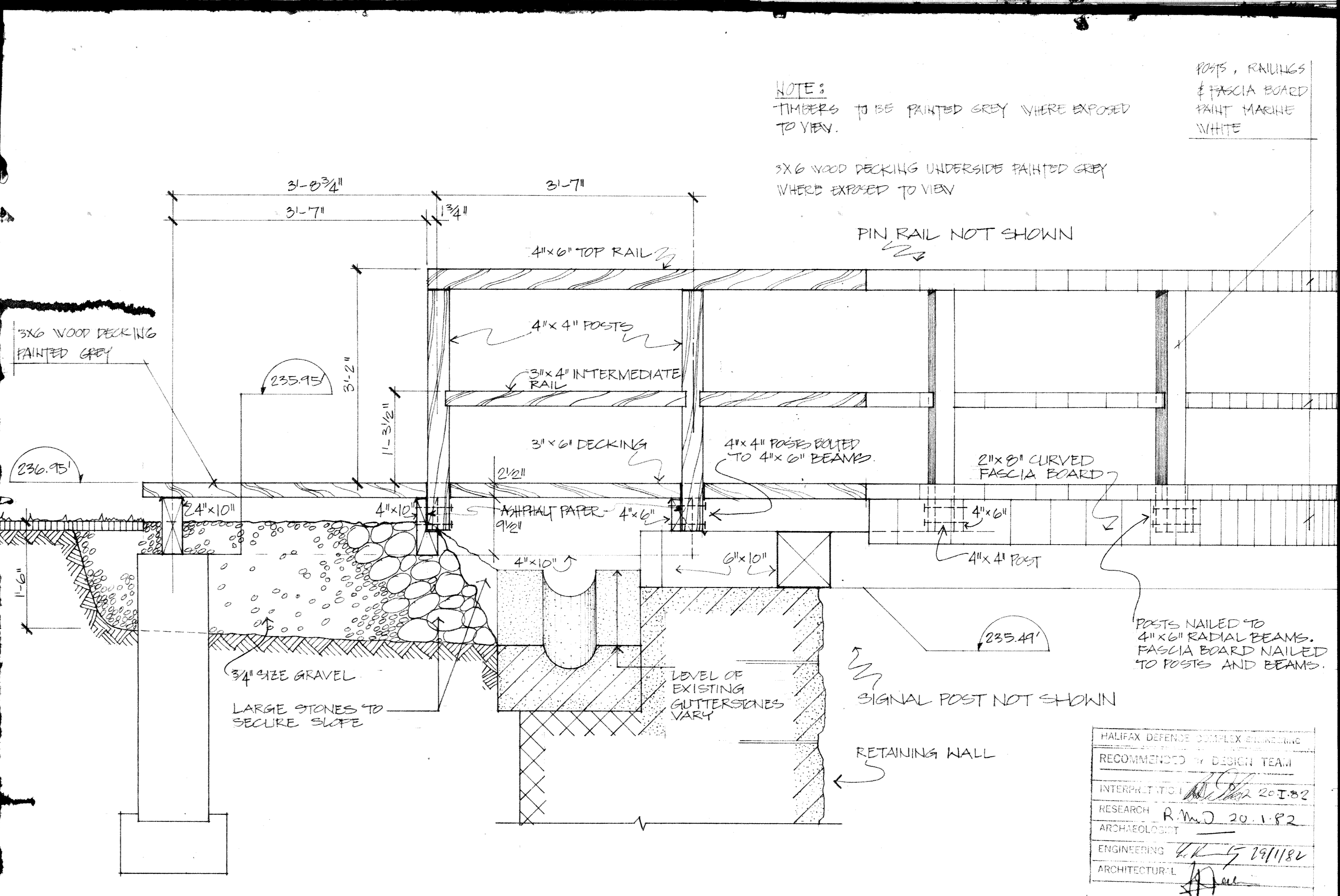
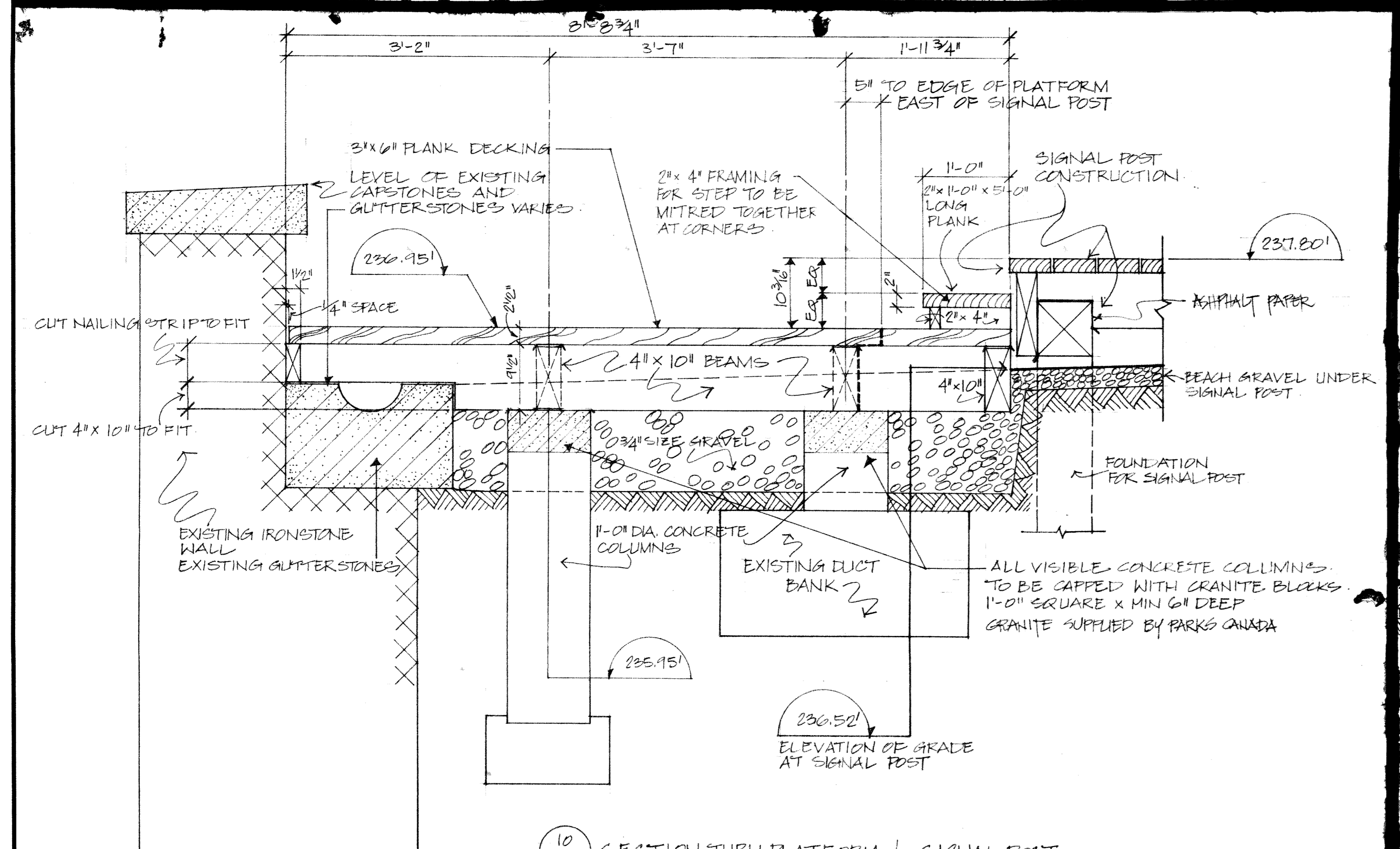
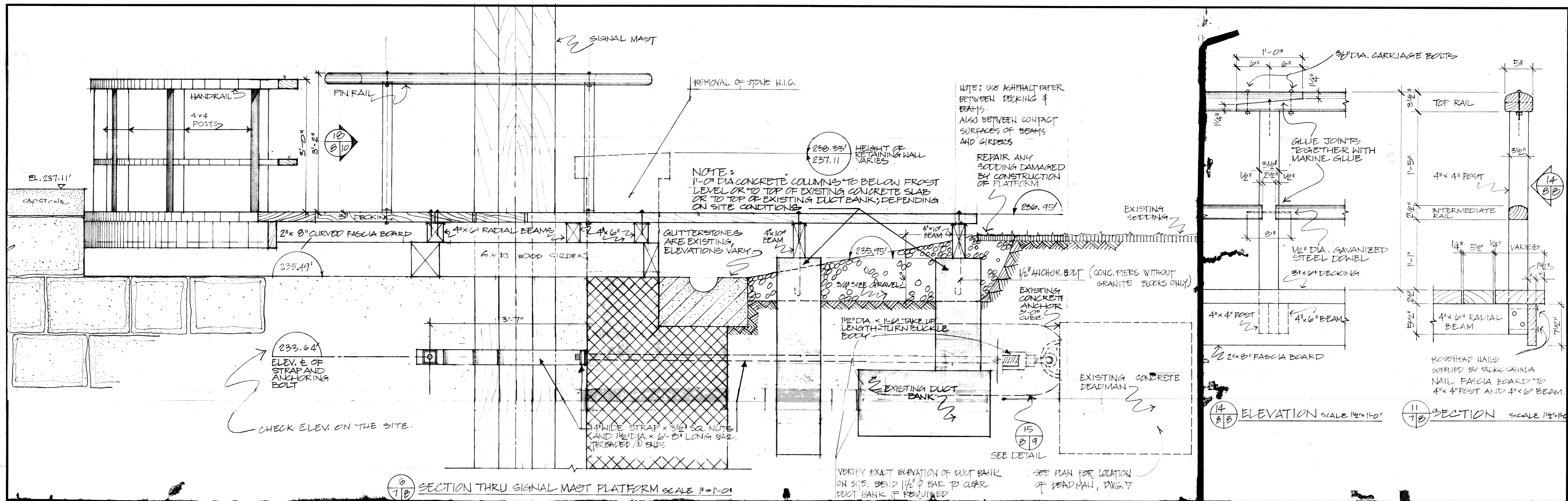


- NOTES:
- 1-0" DIA. CONCRETE COLUMNS TO BE COVERED BY GRANITE BLOCKS 11-0" SR X 10-0" DEEP. THIS APPLIES TO END COLUMNS ONLY (1-0" DIA).
 - 2x6 PLANKS TO BE COVERED BY GRANITE BLOCKS 11-0" SR X 10-0" DEEP. THIS APPLIES TO END COLUMNS ONLY (1-0" DIA).
 - ALL VISIBLE CONCRETE COLUMNS TO BE CAPPED WITH GRANITE BLOCKS 11-0" SR X 10-0" DEEP.
 - REMOVAL OF VAL (N.I.C.)
 - ALL MATERIAL FOR PLATFORM TO BE SELECT STRUCTURAL SPECIES

7 PLAN-PLATFORM SCALE 1"=1'-0"

A detail no.	détail no.
B location dwg. no.	sur dessin no.
C drawing no.	dessin no.
drawn by / tracé par R. C. & P. S.	scale / échelle 1" = 1'-0"
designed by / établi par DESIGN TEAM - J. S.	
checked by / vérifié par G. R. P. / J. S.	
job captain / chef du projet	date
responsible officer / officier responsable	date
project title SIGNAL MASTS	titre du projet
drawing title PLAN - SIGNAL MAST PLATFORM	titre du dessin
reference no. HAHC 80/PO.	dwg no. 7

HAHC 80/PO
 DWG. NO. 7/23
 SIGNAL MASTS HALIFAX DEFENCE
 SIGNAL MAST RESTORATION UTI LABEL ASSET
 NO. 0022
 PLAN SIGNAL MASTS PLATFORM
 JANUARY 29 1982



revisions	date

A detail no.	détail no.
B location dwg. no.	sur dessin no.
C drawing no.	dessin no.
drawn by / tracé par PATRICK SMITH	scale / échelle AS SHOWN
designed by / établi par DESIGN TEAM & J.S.	checked by / vérifié par S.F. FETTERHOFF
job captain / chef de projet	date
responsible officer / officier responsable	26 FEB '82

project title	titre du projet
SIGNAL MASTS	
drawing title	titre du dessin
SECTIONS, ELEVATION - SIGNAL MAST PLATFORM	
reference no. / no de référence HAHC 80/PS	dwg no. / dessin no. 8

DWG. NO. 823
 SIGNAL MASTS HAIFA DEFENCE
 COMPLEX RESTORATION CITADEL ASSET
 NO. 0021
 SECTIONS ELEVATION SIGNAL MAST
 PLATFORM
 JANUARY 29 1982