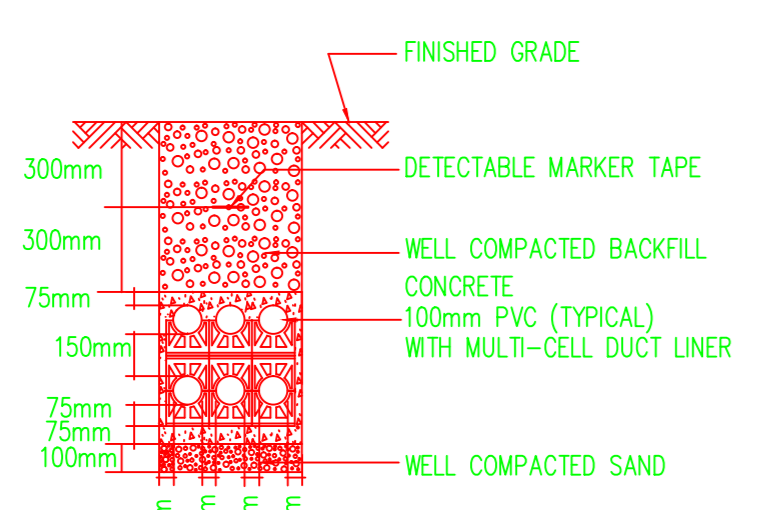


SECTION "B-B"
N.T.S.

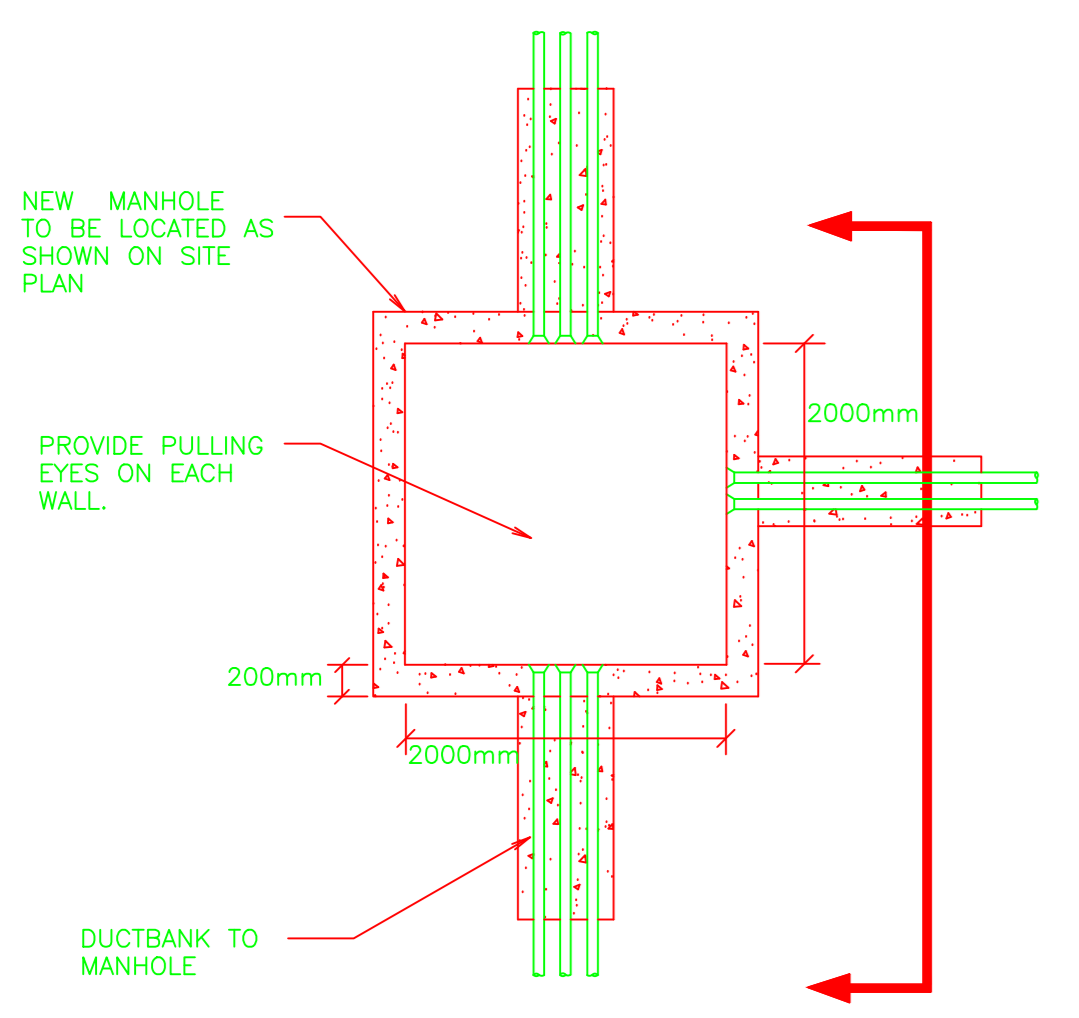
ALL CONDUITS TO HAVE MAXCELL 3 CELL DUCT LINER.



SECTION "A-A"
N.T.S.

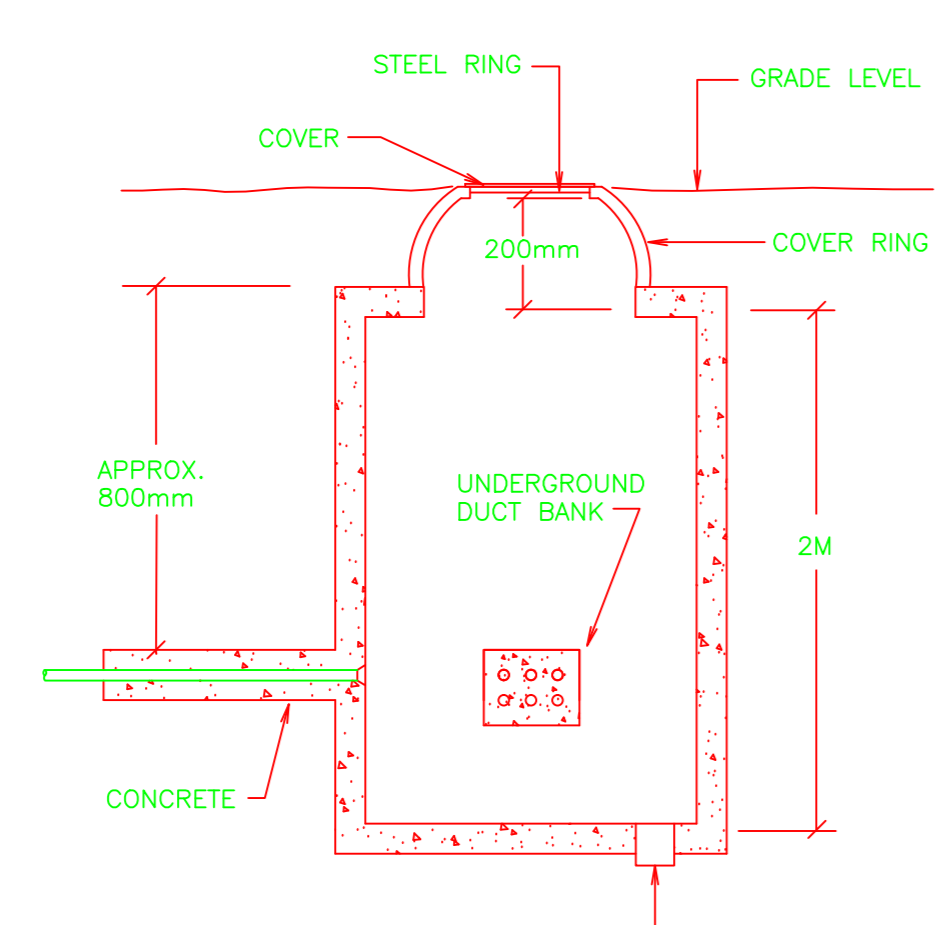
ALL CONDUITS TO HAVE MAXCELL 3 CELL DUCT LINER.

NOTES:
1. ALL DUCTS TO BE 100mm EB1/DB2 DUCTS ENCASED IN CONCRETE

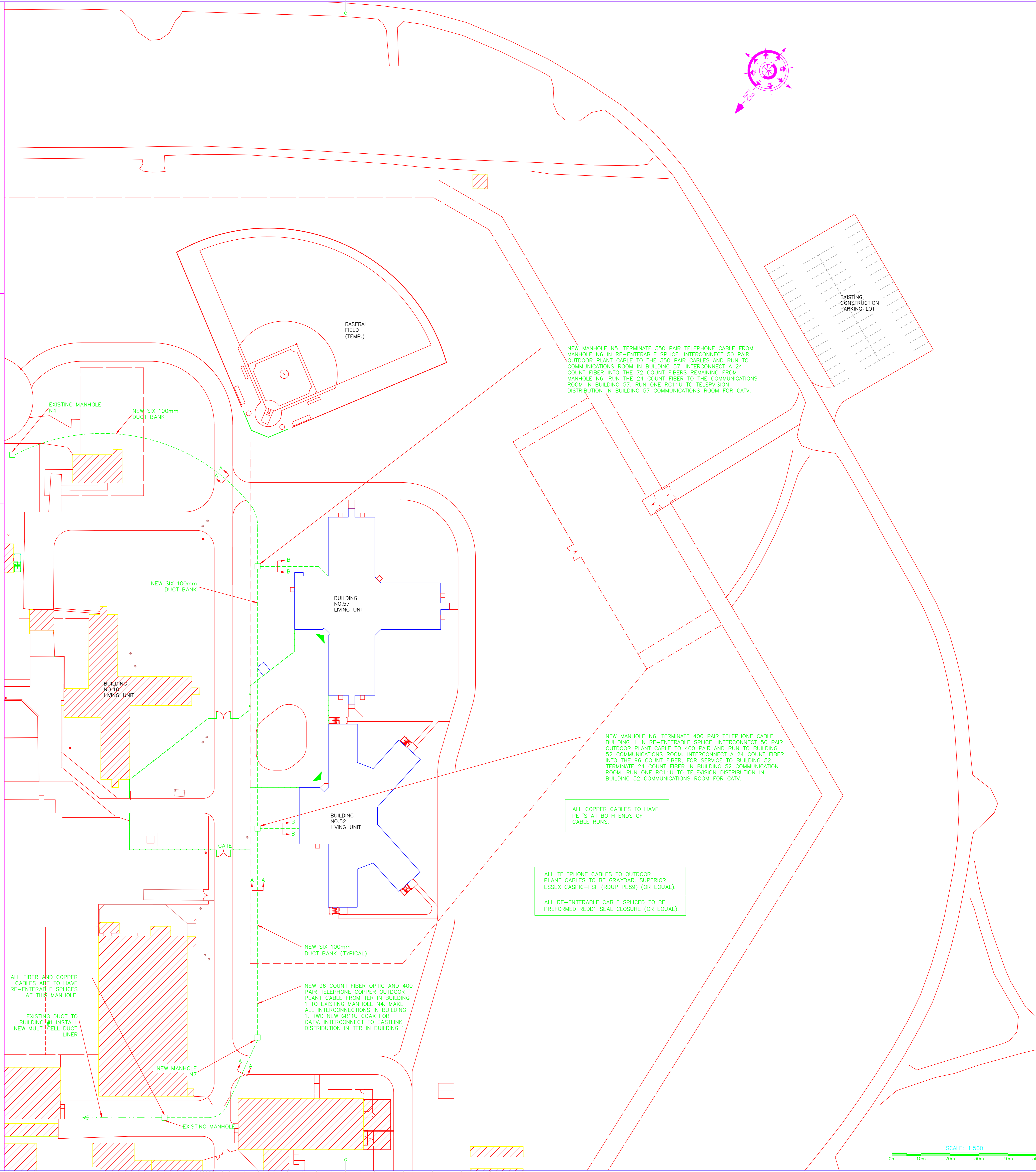


TOP VIEW

MANHOLE DETAIL
N.T.S.



SECTION



NEW MANHOLE N5. TERMINATE 350 PAIR TELEPHONE CABLE FROM MANHOLE N6 IN RE-ENTERABLE SPLICE. INTERCONNECT 50 PAIR OUTDOOR PLANT CABLE TO THE 350 PAIR CABLES AND RUN TO COMMUNICATIONS ROOM IN BUILDING 57. INTERCONNECT A 24 COUNT FIBER INTO THE 72 COUNT FIBERS REMAINING FROM MANHOLE N6. RUN THE 24 COUNT FIBER TO THE COMMUNICATIONS ROOM IN BUILDING 57. RUN ONE RG11U TO TELEVISION DISTRIBUTION IN BUILDING 57 COMMUNICATIONS ROOM FOR CATV.

NEW MANHOLE N6. TERMINATE 400 PAIR TELEPHONE CABLE BUILDING 1 IN RE-ENTERABLE SPLICE. INTERCONNECT 50 PAIR OUTDOOR PLANT CABLE TO 400 PAIR AND RUN TO BUILDING 52 COMMUNICATIONS ROOM. INTERCONNECT A 24 COUNT FIBER INTO THE 96 COUNT FIBER, FOR SERVICE TO BUILDING 52. TERMINATE 24 COUNT FIBER IN BUILDING 52 COMMUNICATIONS ROOM. RUN ONE RG11U TO TELEVISION DISTRIBUTION IN BUILDING 52 COMMUNICATIONS ROOM FOR CATV.

ALL COPPER CABLES TO HAVE PETS AT BOTH ENDS OF CABLE RUNS.

ALL TELEPHONE CABLES TO OUTDOOR PLANT CABLES TO BE GRAYBAR SUPERIOR ESSEX CASPIC-FSF (RDUP PE89) (OR EQUAL).

ALL RE-ENTERABLE CABLE SPLICES TO BE PREFORMED REDDY SEAL CLOSURE (OR EQUAL).

ALL FIBER AND COPPER CABLES ARE TO HAVE RE-ENTERABLE SPLICES AT THIS MANHOLE.

EXISTING DUCT TO BUILDING #1 INSTALL NEW MULTI CELL DUCT LINER

NEW 96 COUNT FIBER OPTIC AND 400 PAIR TELEPHONE COPPER OUTDOOR PLANT CABLE FROM TER IN BUILDING 1 TO EXISTING MANHOLE N4. MAKE ALL INTERCONNECTIONS IN BUILDING 1. TWO NEW RG11U COAX FOR CATV. INTERCONNECT TO EASTLINK DISTRIBUTION IN TER IN BUILDING 1.

designed	MAL	conçu
date	NOVEMBER 2010	
drawn	WDL	dessiné
date	NOVEMBER 2010	
approved	MAL	approuvé
date	NOVEMBER 2010	
Tender		Submission
PWSC Project Manager	Administrateur de projets TPSCG	
project number	no. du projet	
R.035134.001/300		
drawing no.	no. du dessin	
E-500		

