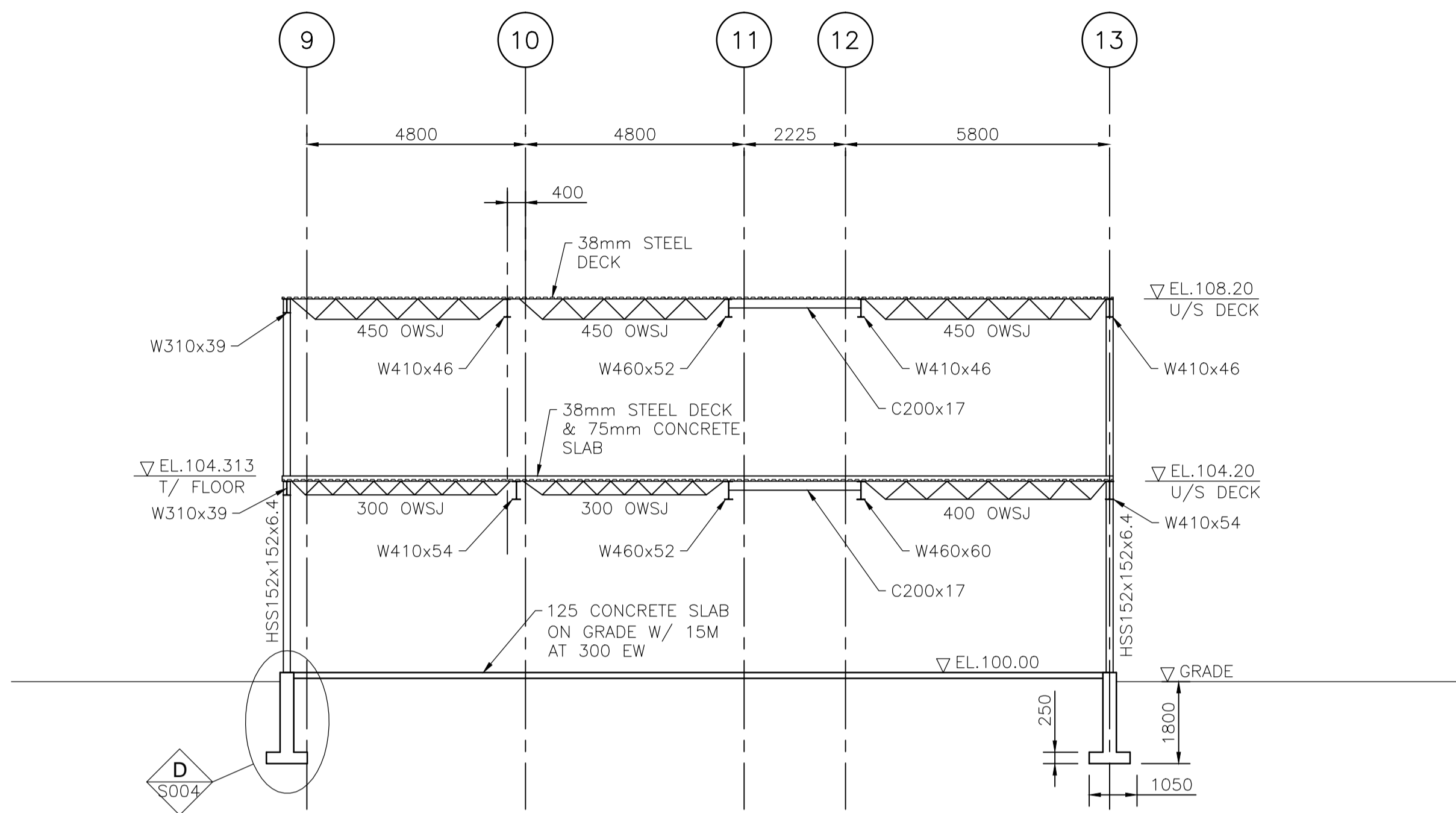
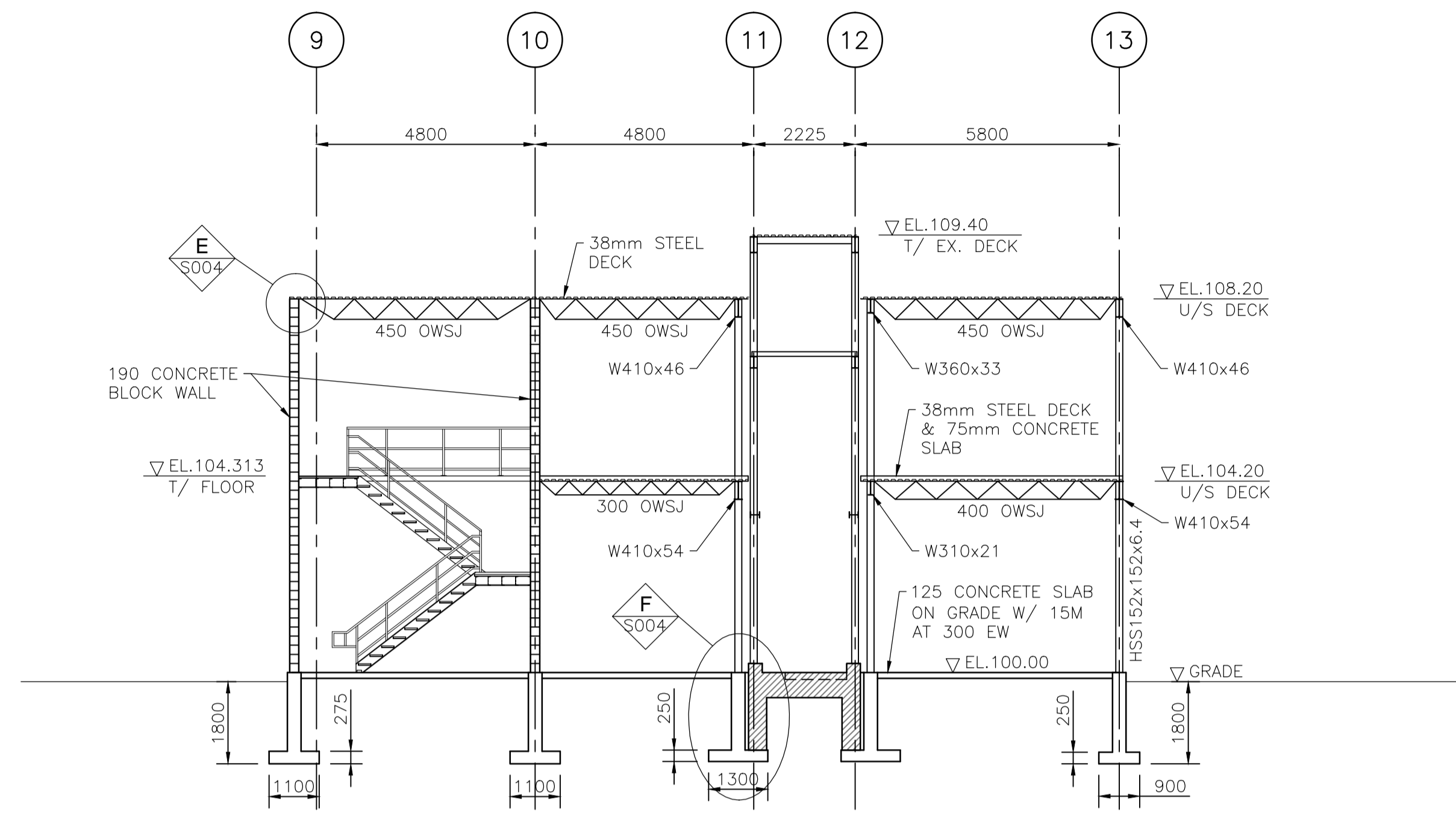


**Ross j Boyle Architect**  
 11 Weaver Cres., Kanata, Ontario K2K 3E1  
 Tel. 613-592-1651  
 Ross@RossBoyleArchitect.com

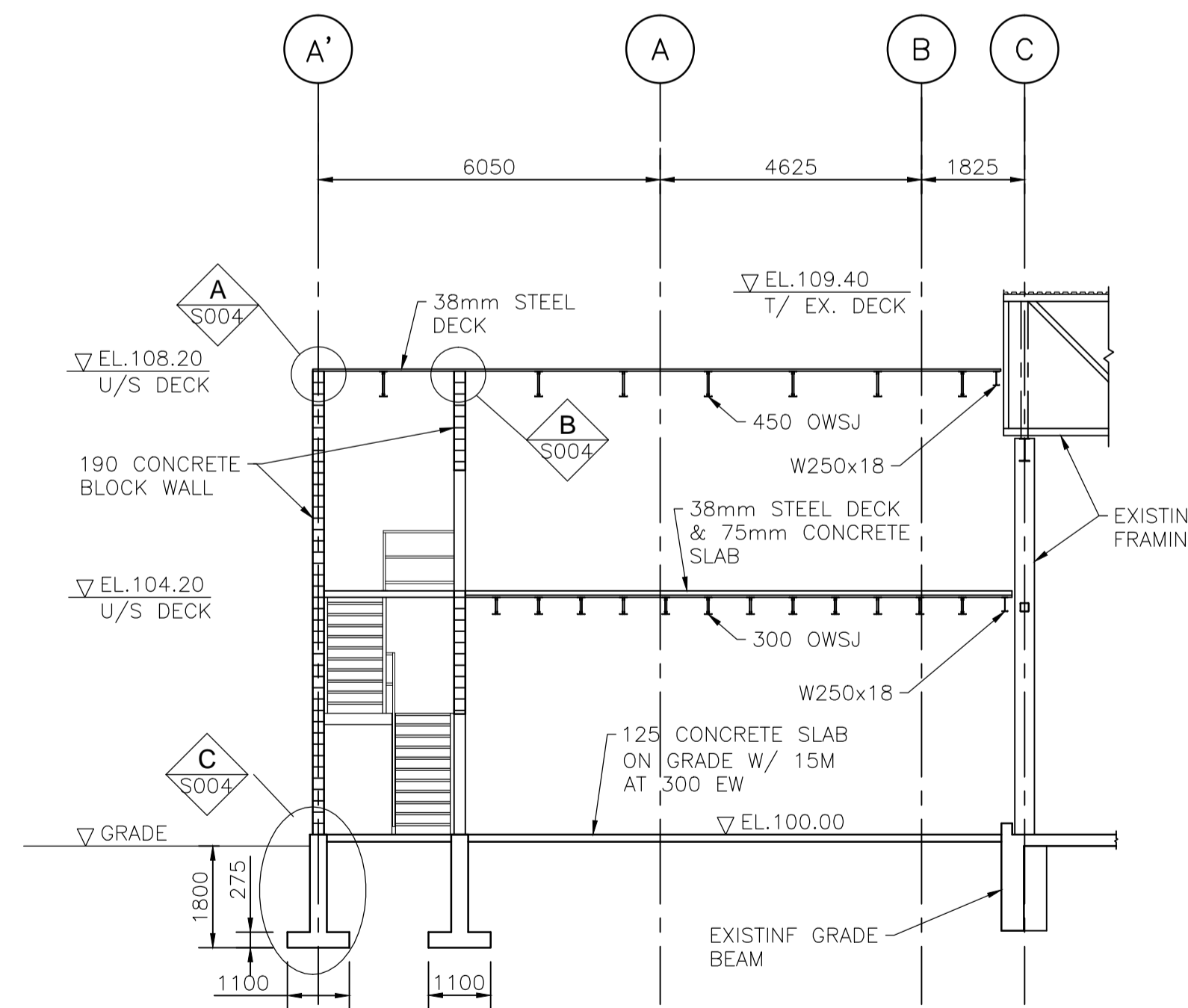
Contractor to verify all dimensions & conditions on site and immediately notify the engineer of all discrepancies.



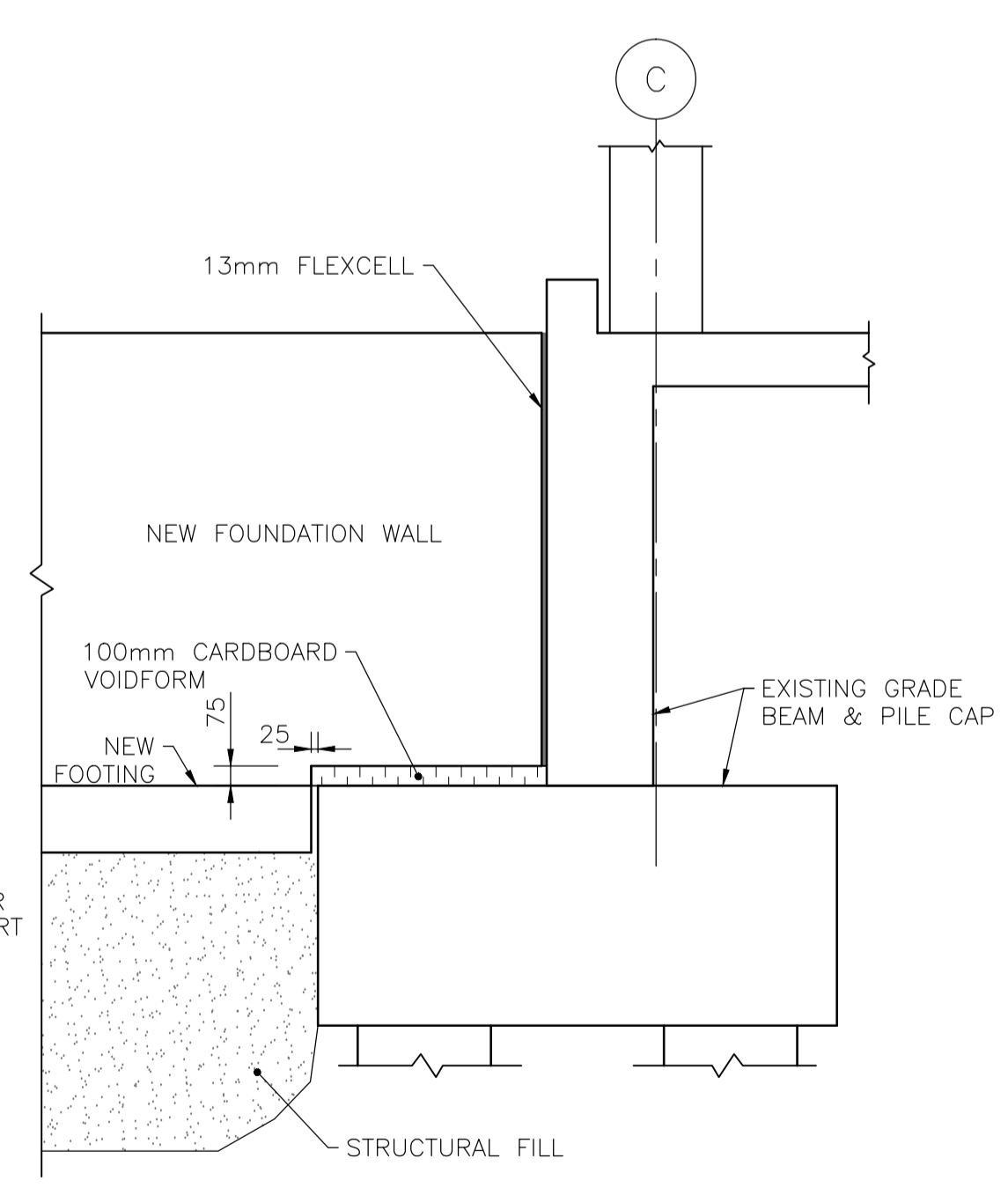
**1 SECTION**  
 S003 1:100



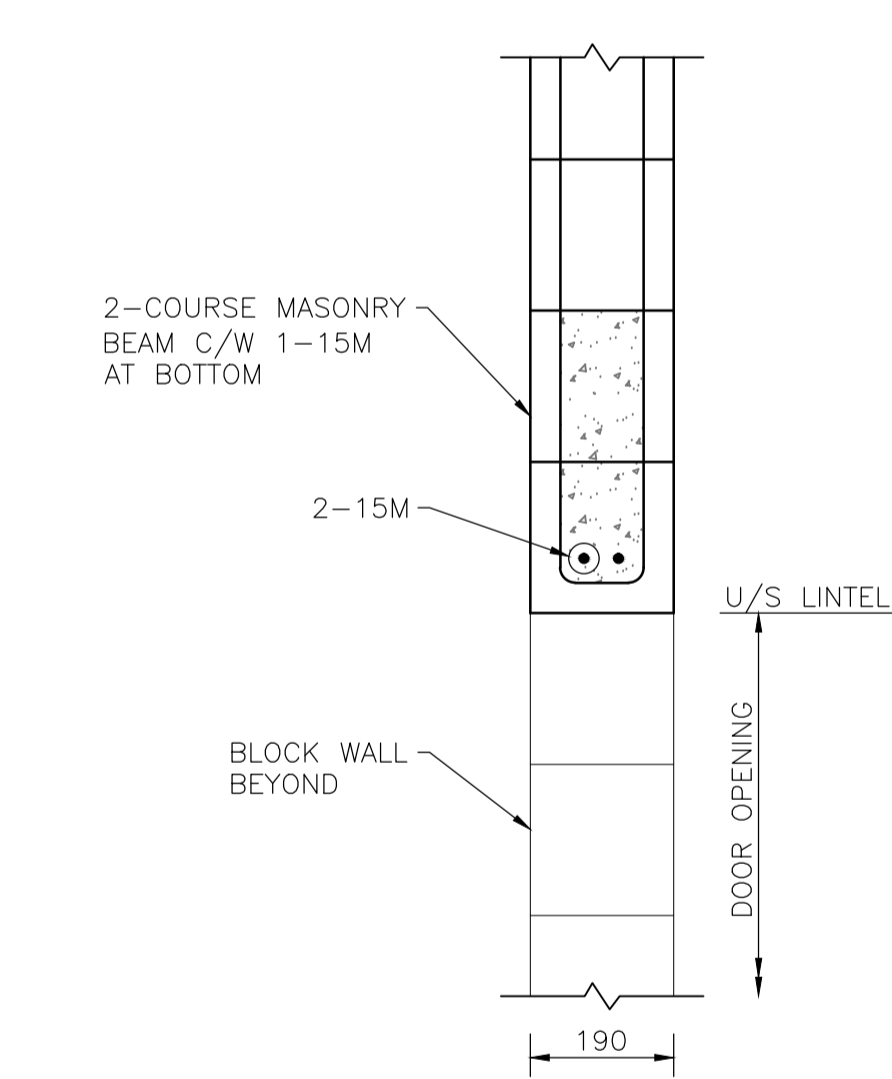
**2 SECTION**  
 S003 1:100



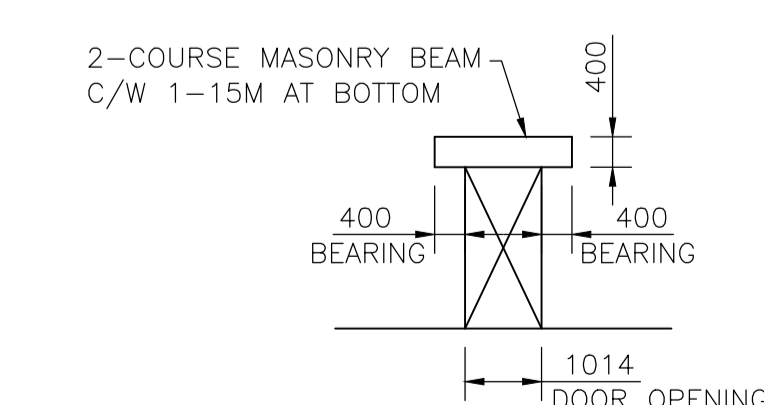
**3 SECTION**  
 S003 1:100



**4 SECTION**  
 S003 1:25



**LINTEL AT DOOR OPENING - SECTION**  
 1:10



**DOOR OPENING IN SHEAR WALL - ELEVATION**  
 1:100

9		
8		
7		
6		
5		
4		
3	RE-ISSUED FOR TENDER	06/10/15
2	ISSUED FOR TENDER	19/06/12
1	ISSUED FOR 33% REVIEW	17/02/12
revisions	description	date

A	A detail no.	A
C	no. du detail	B
	B location drawing no.	C
	sur dessin no.	
	C drawing no.	
	dessin no.	

**SAFETY ACCESS TO TARMAC**

**STRUCTURAL SECTIONS AND DETAILS**

Designed By	F.L.	Conçu par	
Date		(yyyy/mm/dd)	
Drawn By	Y.W.	Dessiné par	
Date		(yyyy/mm/dd)	
Reviewed By	P.W.	Examiné par	
Date		(yyyy/mm/dd)	
Approved By		Approuvé par	
Date		(yyyy/mm/dd)	
Tender		Soumission	
Project Manager	R. WARNER	Administrateur de projets	
Project no.		No. du projet	
			<b>PW157987</b>
Drawing no.		No. du dessin	
			<b>S003</b>