

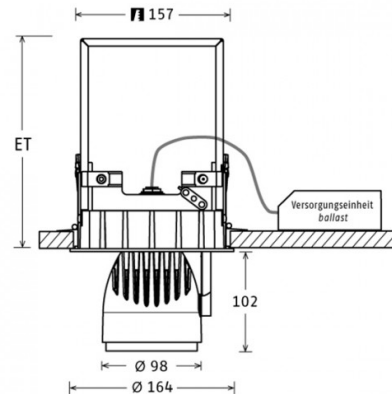
BIXX 153.30.50

Series Bixx

LTS[®]

LIGHT & LUMINAIRES

recessed spotlight



General

The Bixx spotlight series is designed as recessed and contact track version. With their modern and organic light head design the spotlight harmoniously matches with all surroundings. The recessed spotlight convices with its complete operational flexibility in pivoting, rotation and extraction of the light head. The LED spotlights are fitted with PRI Plus reflector technology and guarantee maximum luminous efficiency and optimal glare-free lighting.

Technical data

modern recessed LED spotlight with organic light-head design for various lighting tasks, complete operational flexibility in pivoting, rotation and extraction of the light-head, light-head rotates through 355° and pivots through 0 - 90°, automatical concealing plate for ceiling opening, tool-free installation and maintenance, energy saving, no UV and thermal emissions, thermal management with passive cooling, adjustable for varying ceiling thicknesses, reflector made from high-quality aluminium 99.98%, reflector with PRI-Plus specular optics for high luminous efficiency and glare-free lighting, light-head made from die-cast aluminium, mounting frame made from aluminium and metal, clear safety glass

Protection class I, IP20



Lamp / Socket

LED Spot / 830 / CRI 80 / 3000 K
Lifetime: 50000 h
System power: 36 W
System efficiency: 76.65 lm/W
Luminous flux: 2680 lm
beam angle: 50°

Colour

silver, black, white

Fastening

ceiling mounting via automatic quick clamping

Power supply

LED converter included (positioned outside of the luminaire body)
simple plug connection to ballast
Supply voltage: 230 V / 50 Hz

Dimensions

Outer diameter: 164 mm
Diameter of light head: 98 mm

Installation dimensions

Installation depth: 212 mm
Cut-out: 157 mm
Ceiling thickness 5 – 50 mm

Accessories

Order no.	Description
BIXX 100.1	honeycomb louvre
BIXX 100.2	shutter blades
BIXX 100.3	Focus
BIXX 150.3	ceiling reinforcement ring

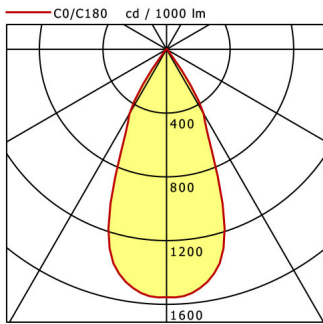
BIXX 153.30.50

Series Bixx

LTS®

LIGHT & LUMINAIRES

Bixx 150 (1xLED 35W 830/3000K 2680lm 50 °)



	C0	C90	C180	C270
0°	1555	1555	1555	1555
15°	1346	1346	1346	1346
30°	466	466	466	466
45°	17	17	17	17
60°	10	10	10	10
75°	8	8	8	8
90°	0	0	0	0
cd / 1000 lm				

Offset [m]	Cone width [m]	Illuminance [lx]
3.0	2.56	463.2
6.0	5.12	115.8
9.0	7.68	51.5
12.0	10.23	28.9
15.0	12.79	18.5

η	LED
Efficiency	77 lm/W
Direct/Indirect	↓ 100% / ↑ 0%
System Power	35 W
UGR	X=4H, Y=8H
Reflection factors	70/50/20
UGR C0/C180	21.5
UGR C90/C270	21.5
CIE Flux Codes	96 98 99 100 100
Ra/CRI	>80