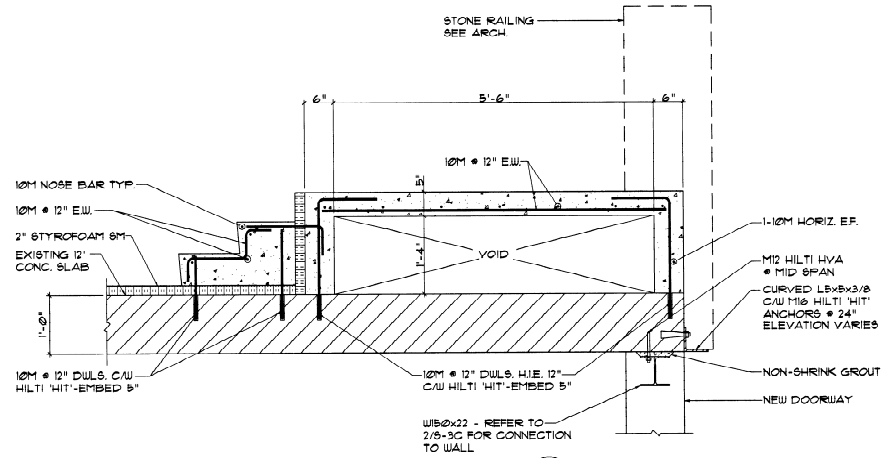
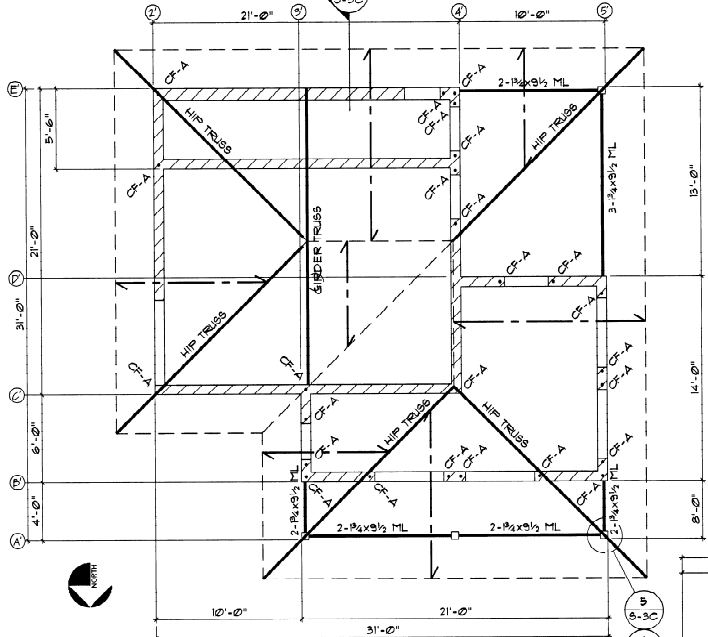


1 EAST ELEVATION-POOL DECK
1/4" = 1'-0"



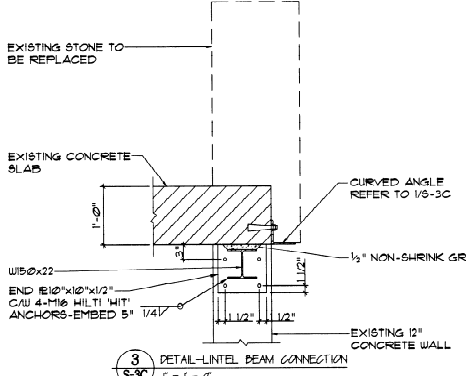
2 SECTION-DOORWAY
1/4" = 1'-0"



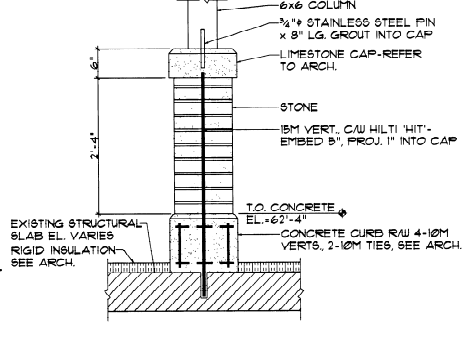
4 CONCESSION ROOF FRAMING PLAN
1/4" = 1'-0"

COREPILE SCHEDULE	
MARK	REINFORCING
CF-A	1-18M VERT.

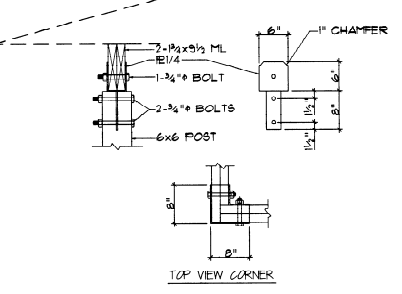
NOTE: PROVIDE 1-18M x 3'-0" LG. VERT. AT COREPILE LOCATIONS
CAU HILTI 'HIT' TO EXISTING CURB, EMBED 5".



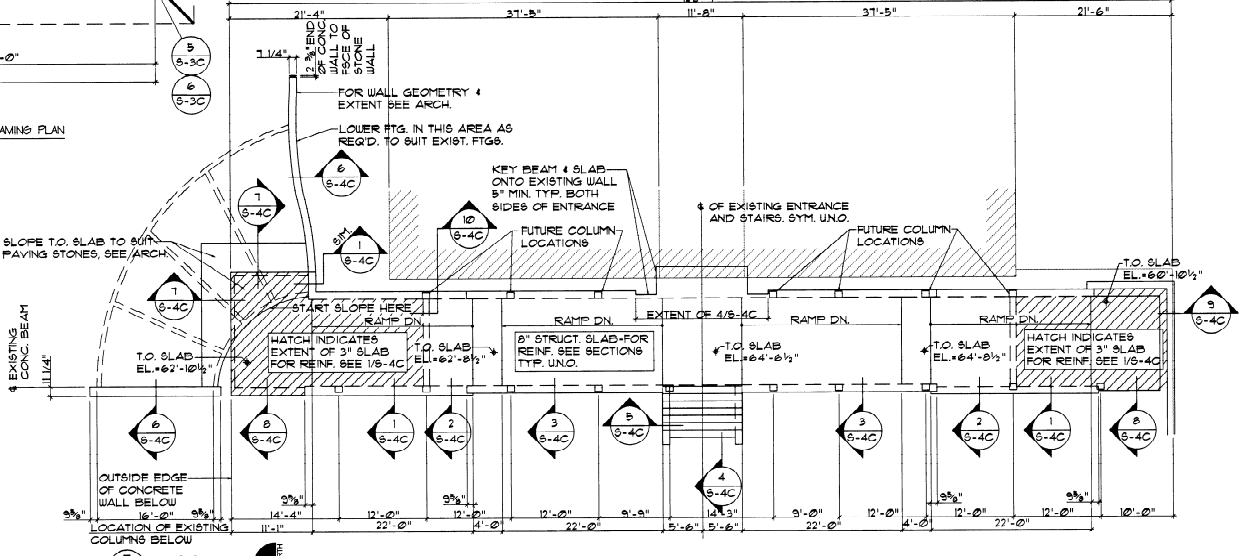
3 DETAIL-LINTEL BEAM CONNECTION
1/4" = 1'-0"



5 SECTION-CONCESSION COLUMN SUPPORTS
1/4" = 1'-0"



6 DETAIL-CONCESSION COLUMN BEAM SUPPORTS
1/4" = 1'-0"



7 RAMP PLAN
1/8" = 1'-0"

PERMIT TO PRACTICE
Created Under the Association of Professional Engineers Act
Signature: *Robert H. Wappel*
Date: 1998-12-15
PERMIT NUMBER: P 3867
The Association of Professional Engineers, Geologists and Geophysicists of Alberta



No.	Date	Description	Drawn by	Approved

Revision / Revision	
A	Detail number / A Numéro de détail
B	Sheet number / B Numéro de la feuille
Linear dimensions in millimetres / Dimensions linéaires en millimètres	
Consultant's Name / Nom de l'ingénieur-consultant	Eng. Stamp / Sceau de l'ingénieur
SIMPSON ROBERTS WAPPEL	

Public Works and Government Services Canada / Travaux publics et Services gouvernementaux Canada	Architecture and Engineering / Architecture et génie
Canada	

Canadian Heritage / Patrimoine Canadien	Parks Canada / Parcs Canada
Western Region / Région de l'Ouest	

Projet / Titre du projet
UPPER HOT SPRINGS
BANFF NATIONAL PARK
RENOVATION
PHASE II

Drawing / Titre du dessin
CONCESSION ROOF FRAMING PLAN,
SECTIONS AND DETAILS

Surveyed by / Asigné par	Drawn by / Dessiné par	Date
	VHK	FEB. 6, 1995
Designed by / Concept par	Reviewed by / Révisé par	Scale / Echelle
VHK	VHK	AS NOTED
Client Acceptance / Acceptation du client	Approved by / Approuvé par	
Project No./N° du projet	Asset No./N° du bien	Sheet No./N° de la feuille
87496	962003301	S-3C
Drawing Reference No./N° de référence du dessin		
B95R5 (32 OF 53)		