

Public Works and  
Government Services  
Canada

Travaux publics et  
Services gouvernementaux  
Canada

**TRACADIE  
LAUNCH FACILITY  
CONSTRUCTION 502P  
TRACADIE  
QUEENS COUNTY, PEI**

**Sheet List Table**

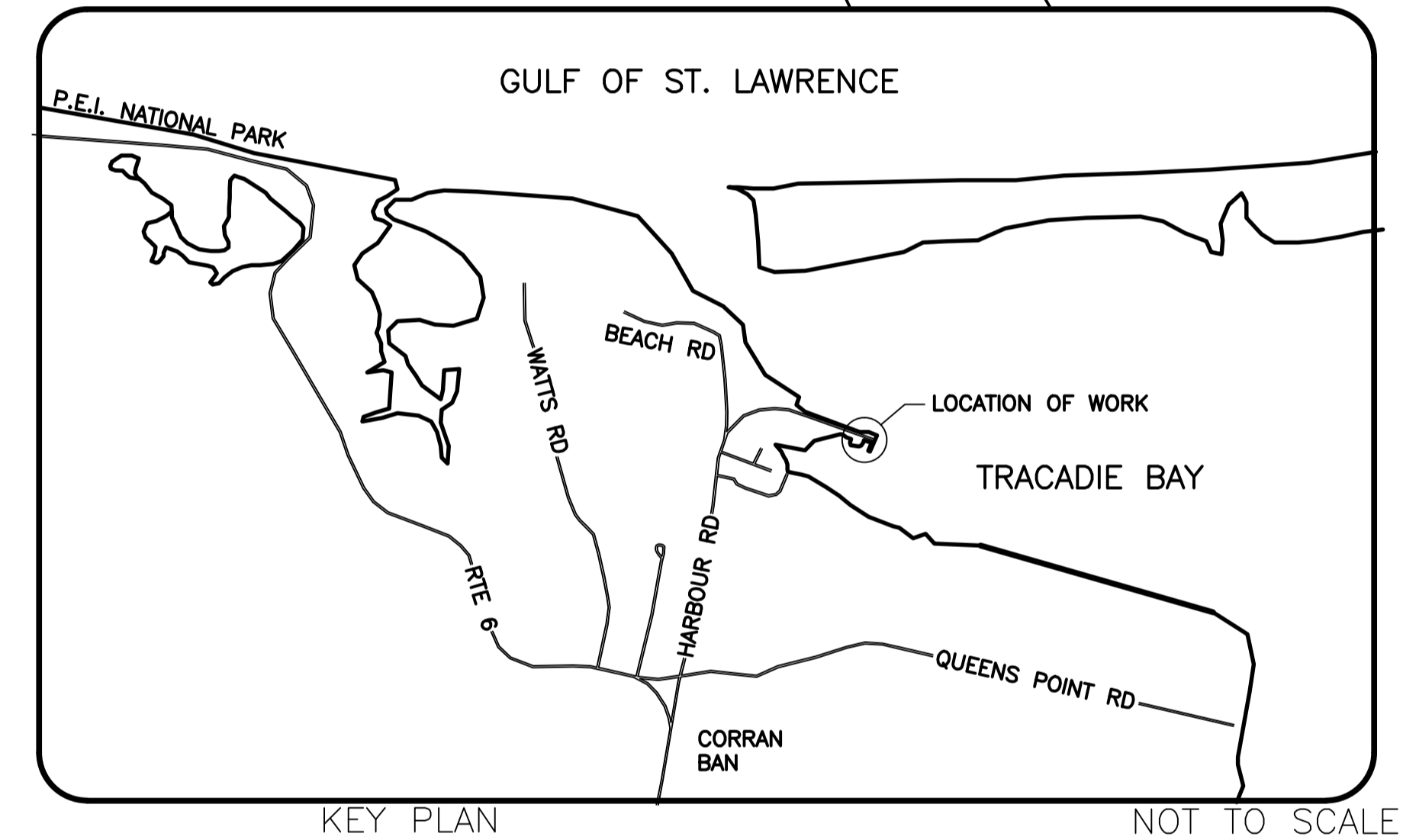
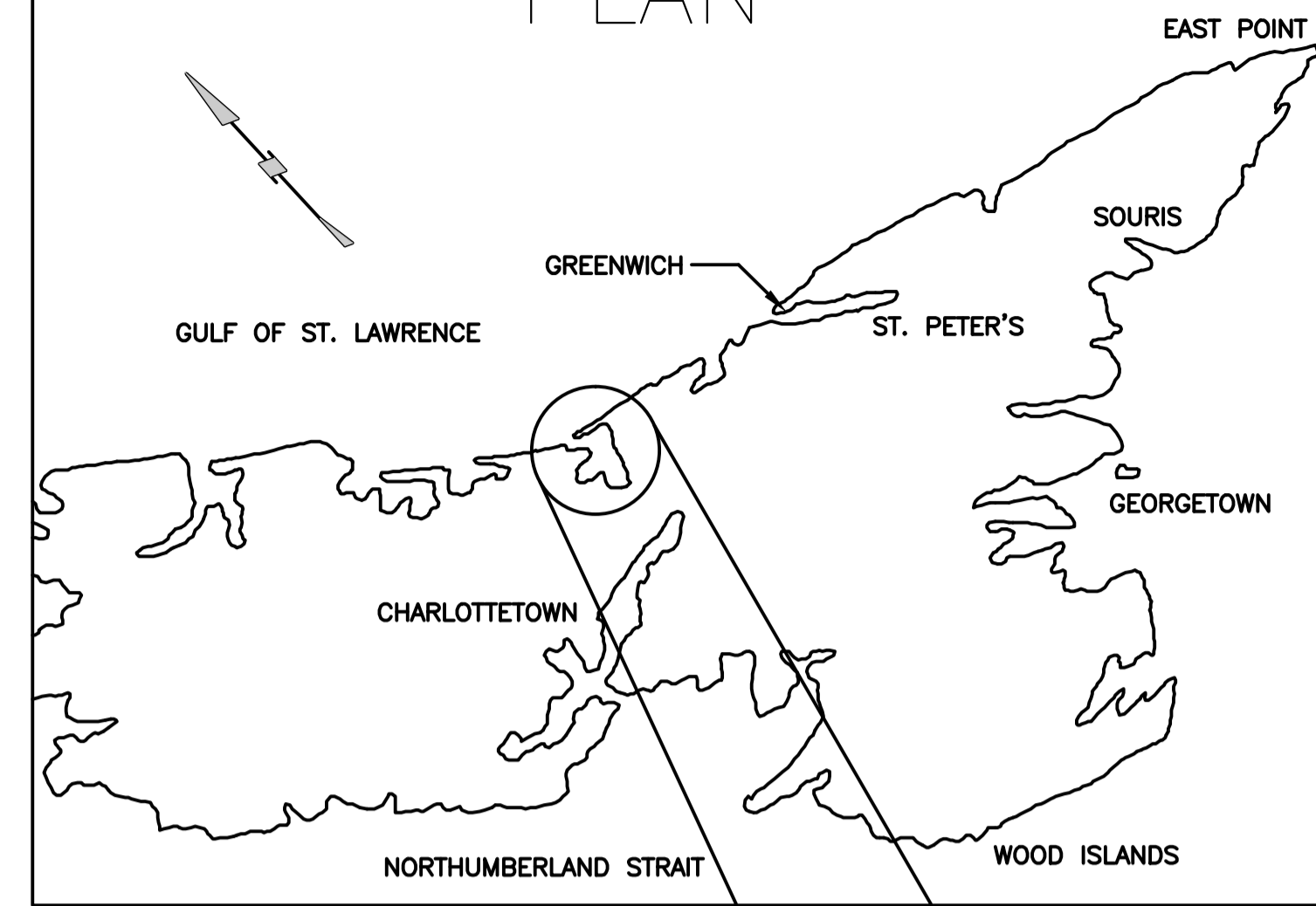
Sheet Number	Sheet Title
C1	COVER
M1	OVERALL PLAN VIEW GENERAL LOCATION PLAN KEY PLAN
M2	SLIPWAY DETAILS & CONNECTIONS
M3	SLIPWAY SECTIONS & DETAILS

**PROJECT NO. 721672**

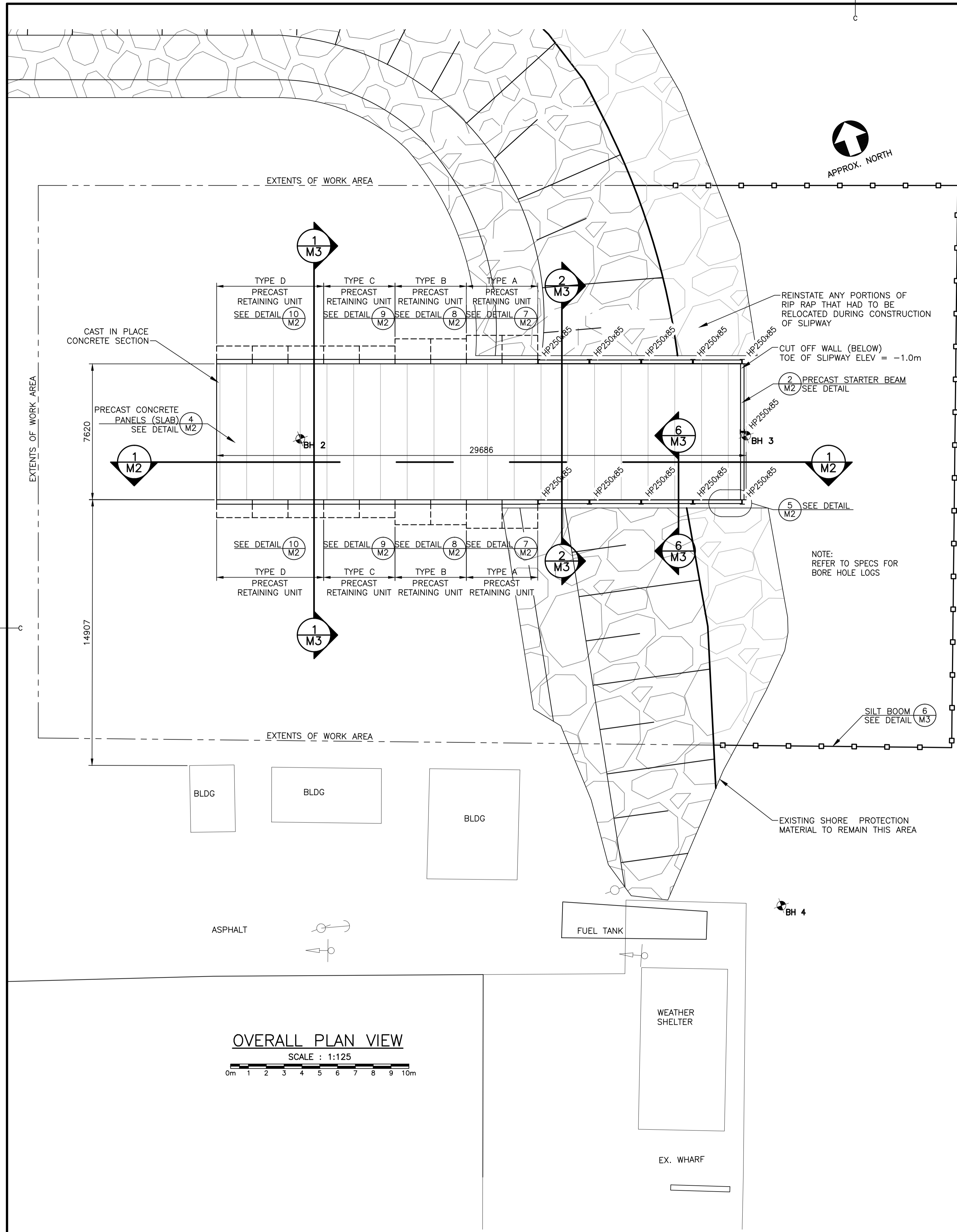
**ISSUED FOR TENDER 12/01, 2015**

**Canada**

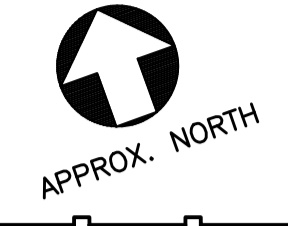
# GENERAL LOCATION PLAN



KEY PLAN NOT TO SCALE



**OVERALL PLAN VIEW**  
 SCALE : 1:125



REINSTATE ANY PORTIONS OF RIP RAP THAT HAD TO BE RELOCATED DURING CONSTRUCTION OF SLIPWAY

CUT OFF WALL (BELOW) TOE OF SLIPWAY ELEV = -1.0m

PRECAST STARTER BEAM SEE DETAIL

NOTE: REFER TO SPECS FOR BORE HOLE LOGS

EXISTING SHORE PROTECTION MATERIAL TO REMAIN THIS AREA

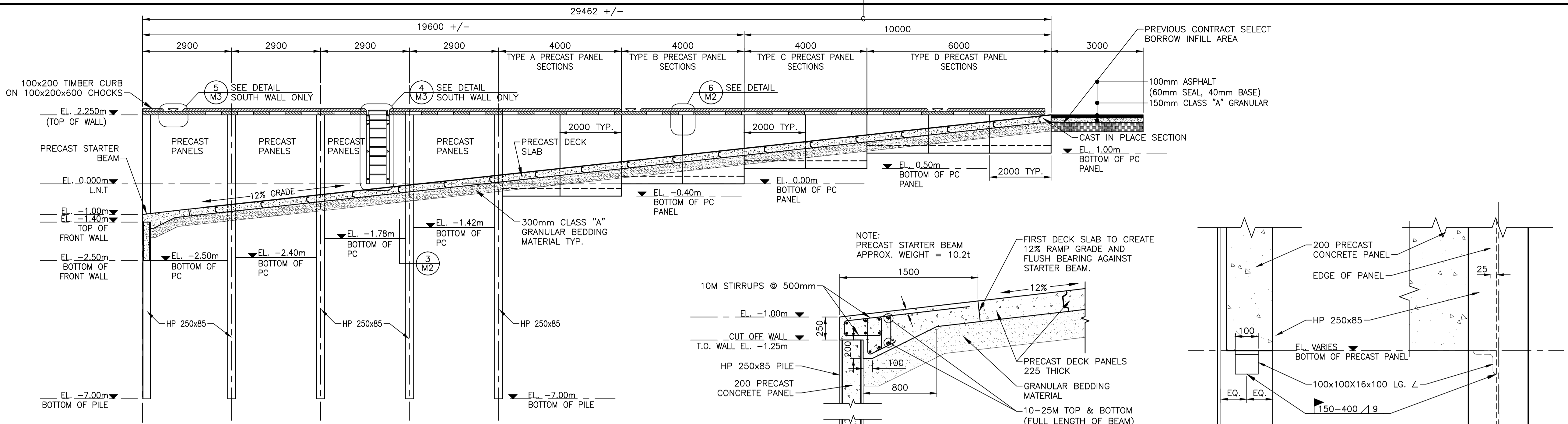
revisions	date
6	11/19 2015
5	11/19 2015
3	09/02 2015
2	08/18 2015
1	08/04 2015
0	07/21 2015

**TRACADIE LAUNCH FACILITY CONSTRUCTION 502P TRACADIE QUEENS COUNTY, PEI**

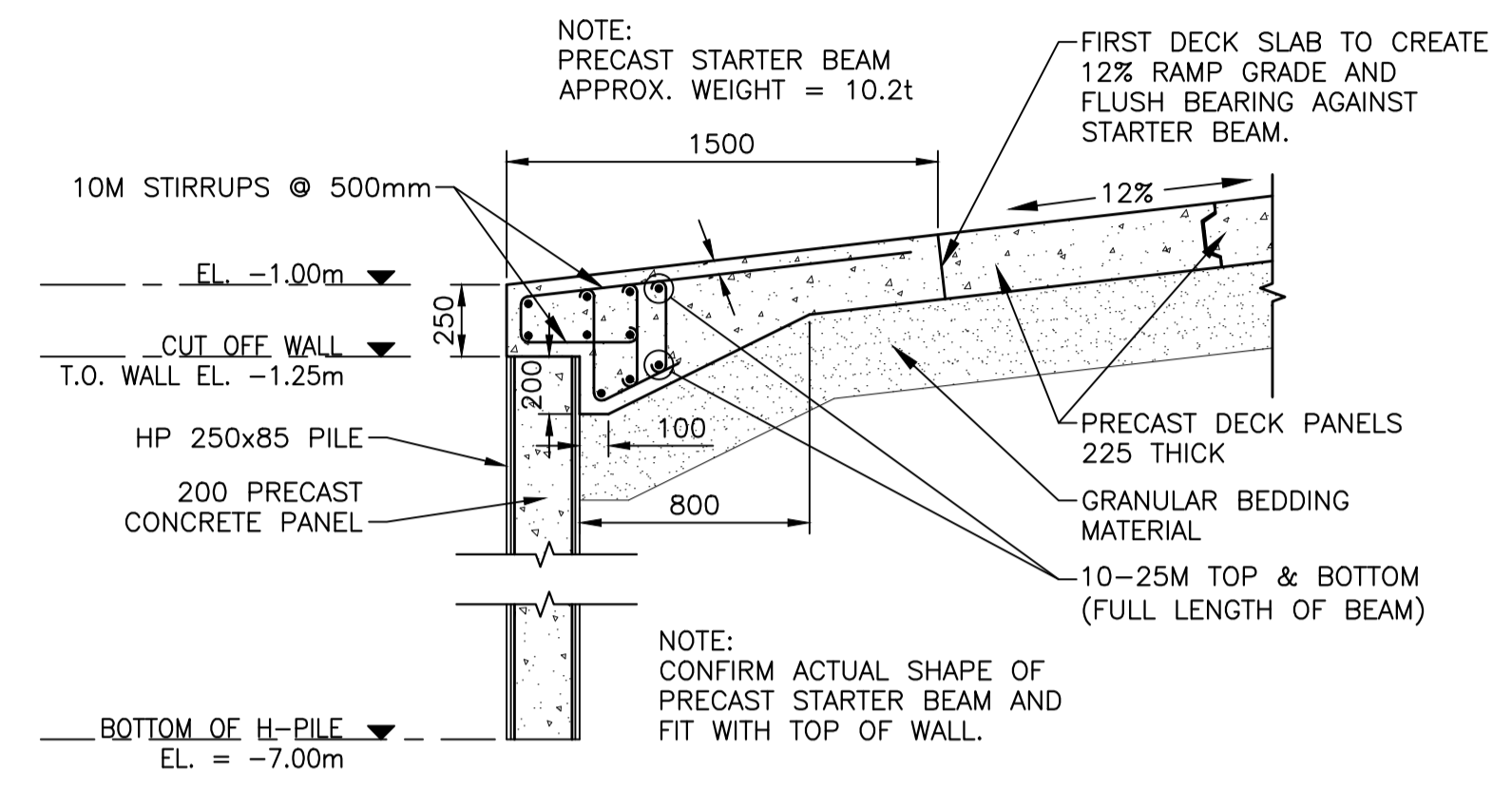
**OVERALL PLAN VIEW GENERAL LOCATION PLAN KEY PLAN**

designed T. HARLAND  
 date NOVEMBER 14, 2015  
 drawn E. BALDERSTON  
 date DECEMBER 1, 2015  
 approved  
 drawing no. **721672**  
 no. du projet

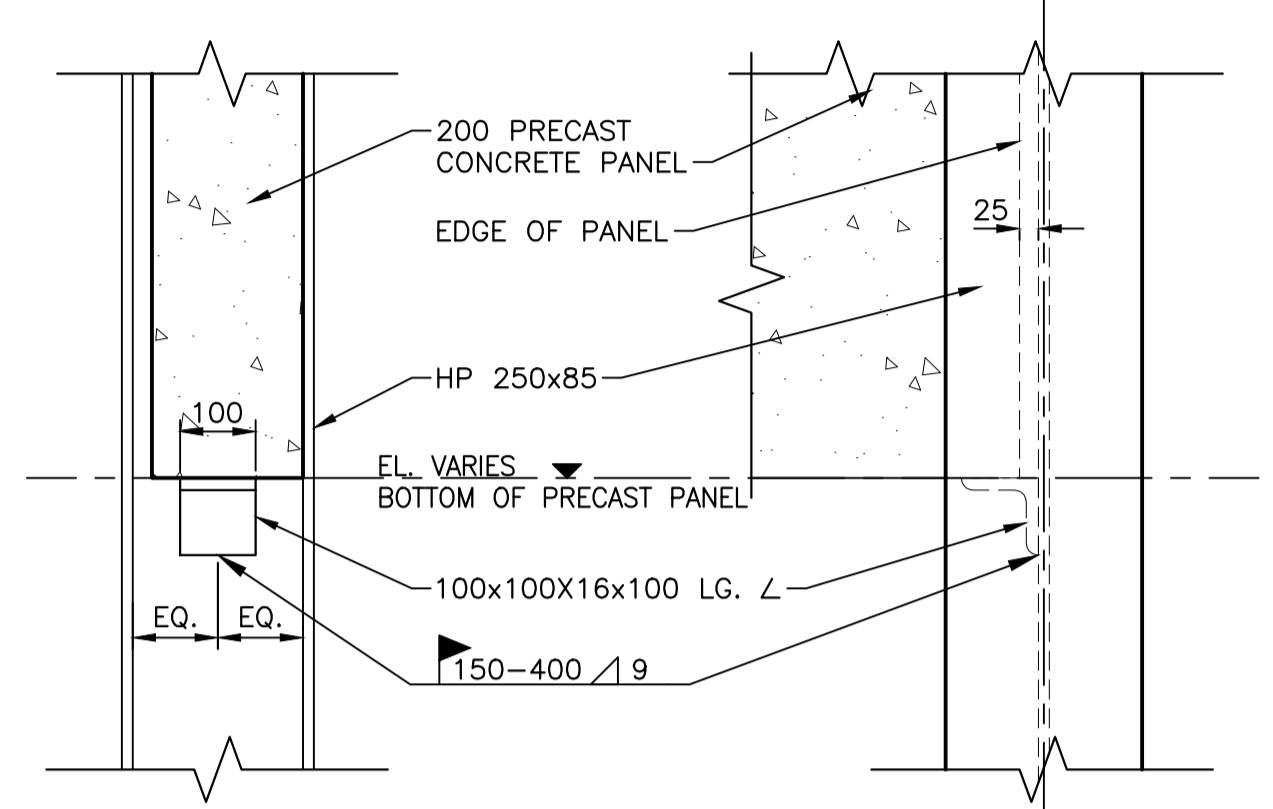
**M1**



**LONGITUDINAL SLIPWAY SECTION** (1 M2)  
 SCALE: 1:75

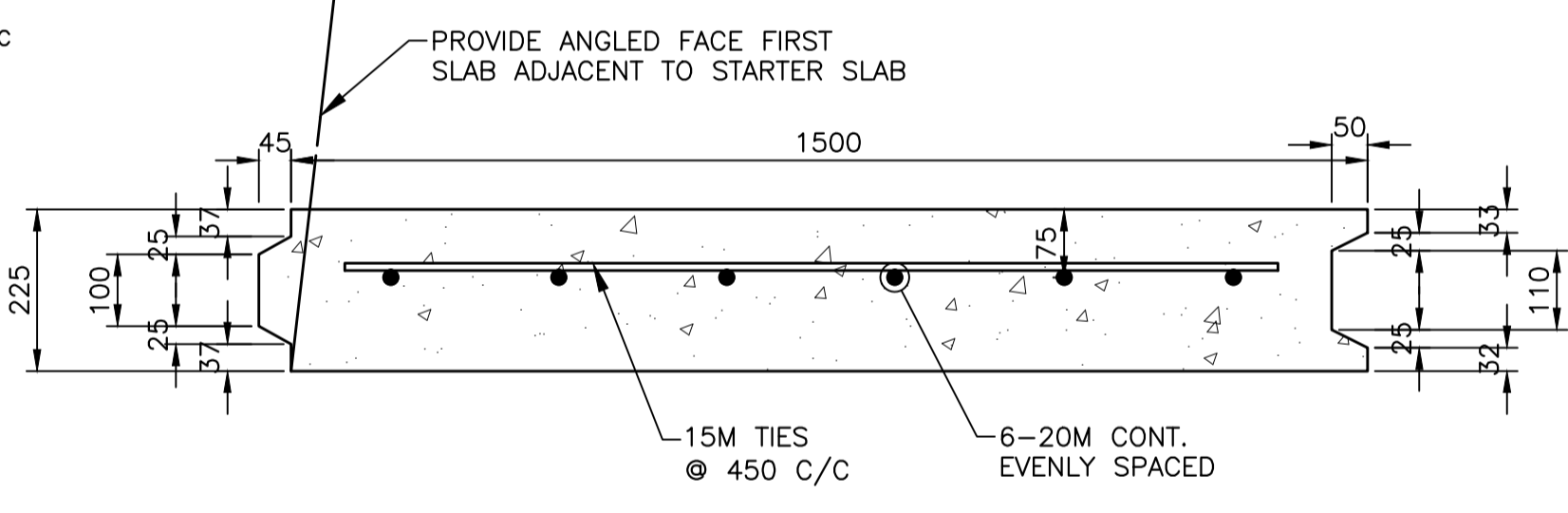


**PRECAST STARTER BEAM DETAIL** (2 M2)  
 SCALE: 1:25

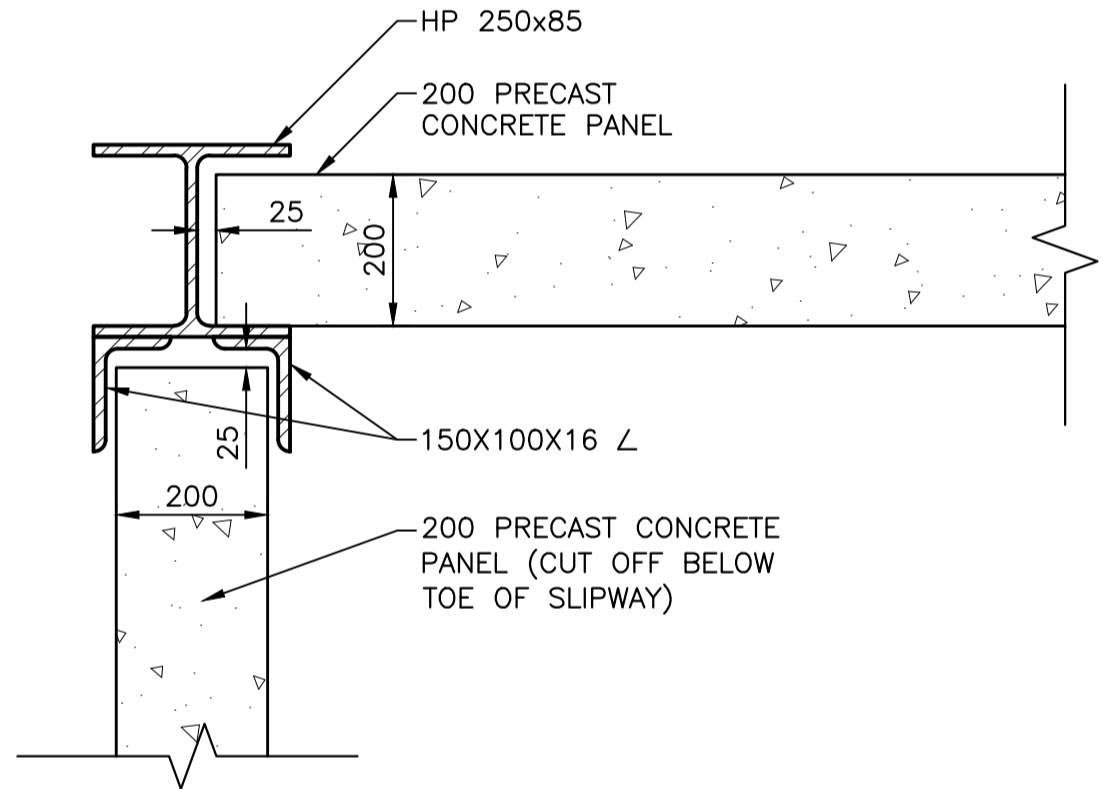


**DROP-IN PANEL SUPPORT** (3 M2)  
 SCALE: 1:10

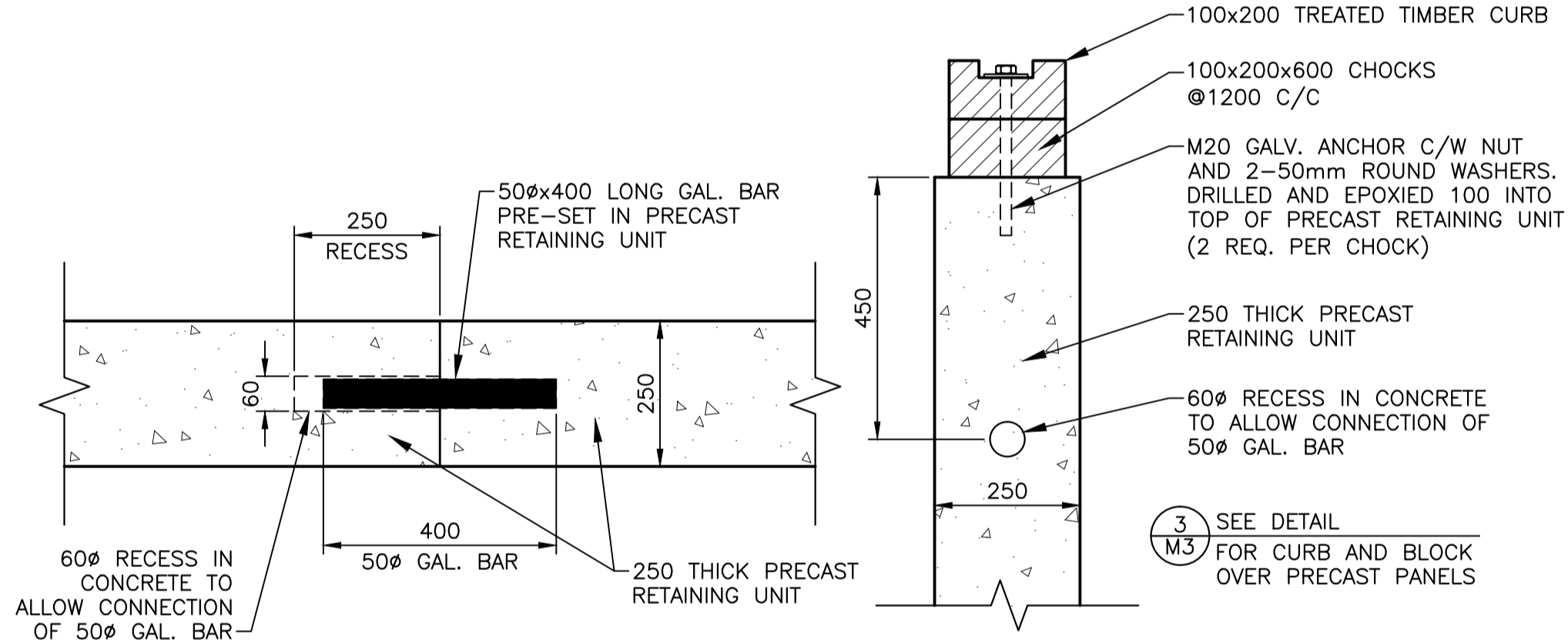
- NOTE:
1. TOP OF PRECAST SLAB TO BE FINISHED WITH COARSE BROOM SURFACE.
  2. ENSURE THAT REINFORCING IS LOCATED IN THE TOP THIRD OF THE PRECAST SLAB.
  3. LIFTING POINTS TO BE PROVIDED AT QUARTER POINTS.
  4. APPROX. WEIGHT OF PRECAST DECK SLAB = 6.5t
  5. DECK PANELS CAN BE CONSTRUCTED 100 NARROWER THAN SLIPWAY (7520) FOR EASE OF PLACEMENT.



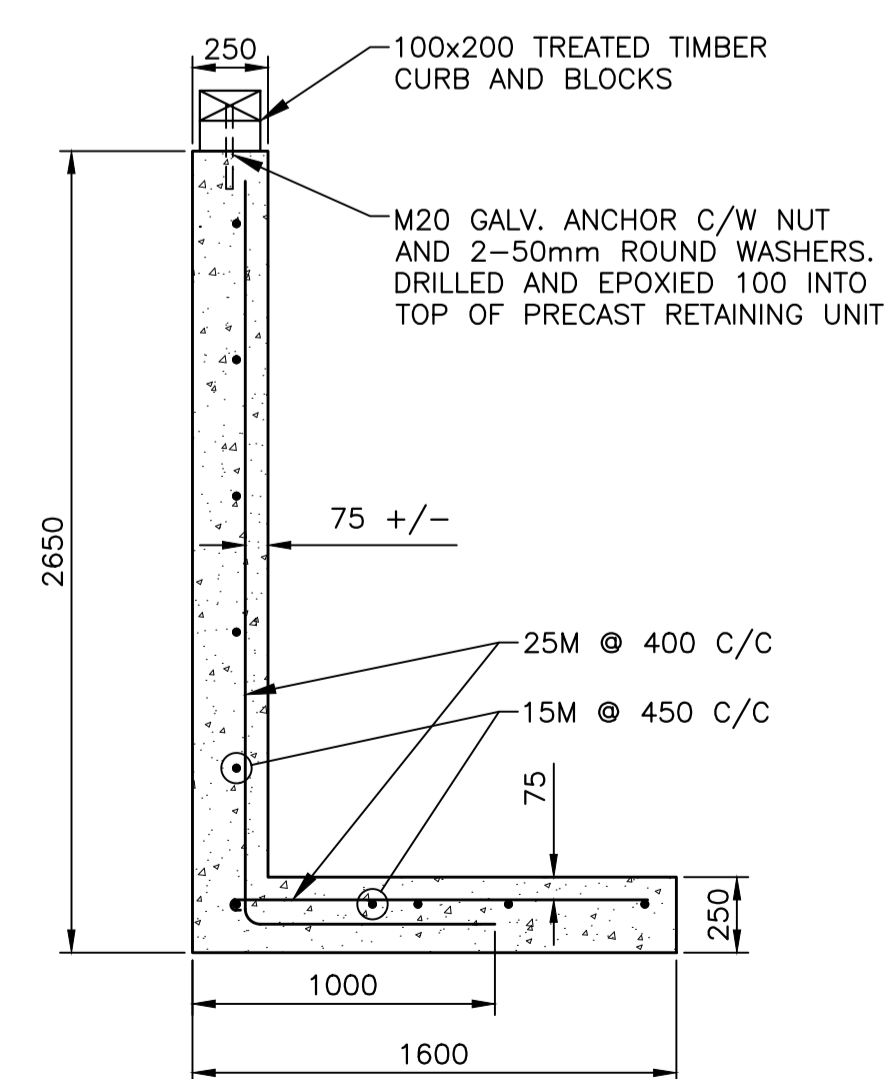
**SECTION - PRECAST SLAB DETAILS** (4 M2)  
 SCALE: 1:10



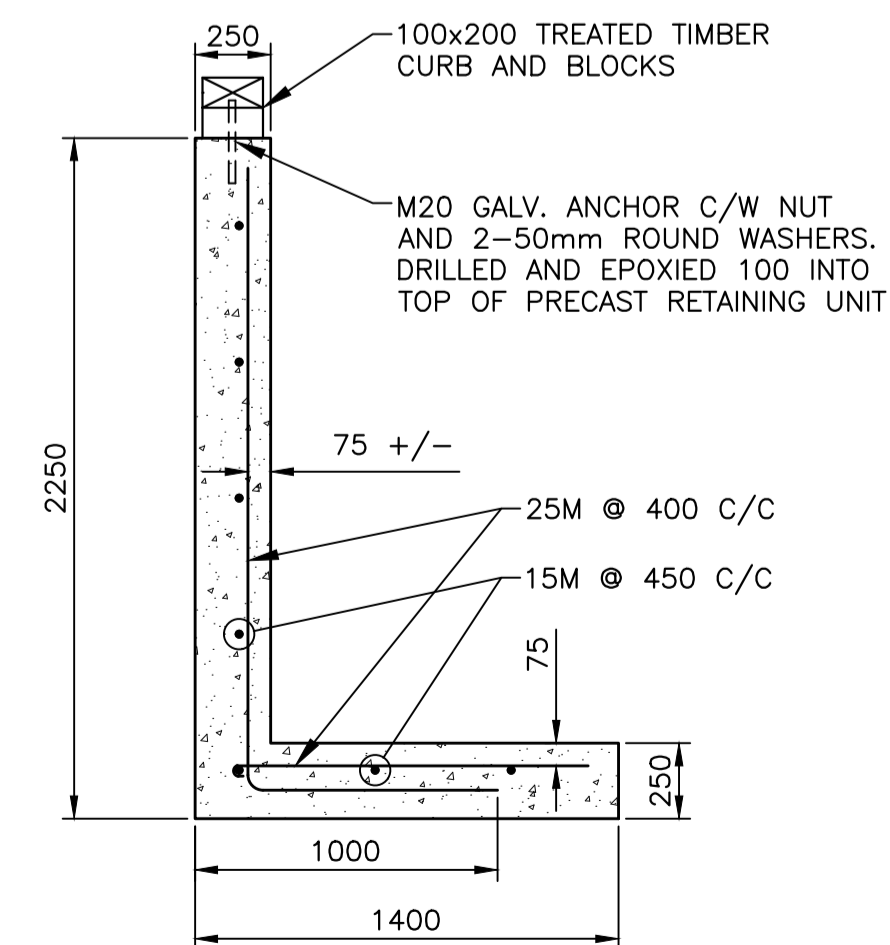
**PRECAST PANEL/H-PILE CORNER DETAIL** (5 M2)  
 SCALE: 1:10



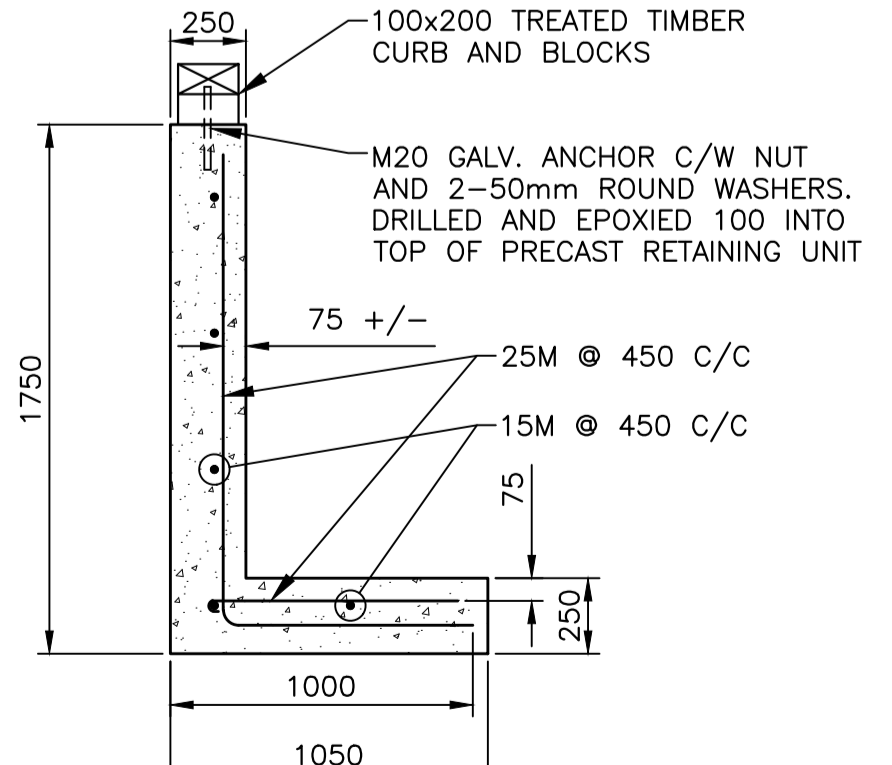
**TYP. PRECAST RETAINING UNIT CONNECTION DETAIL** (6 M2)  
 SCALE: 1:10



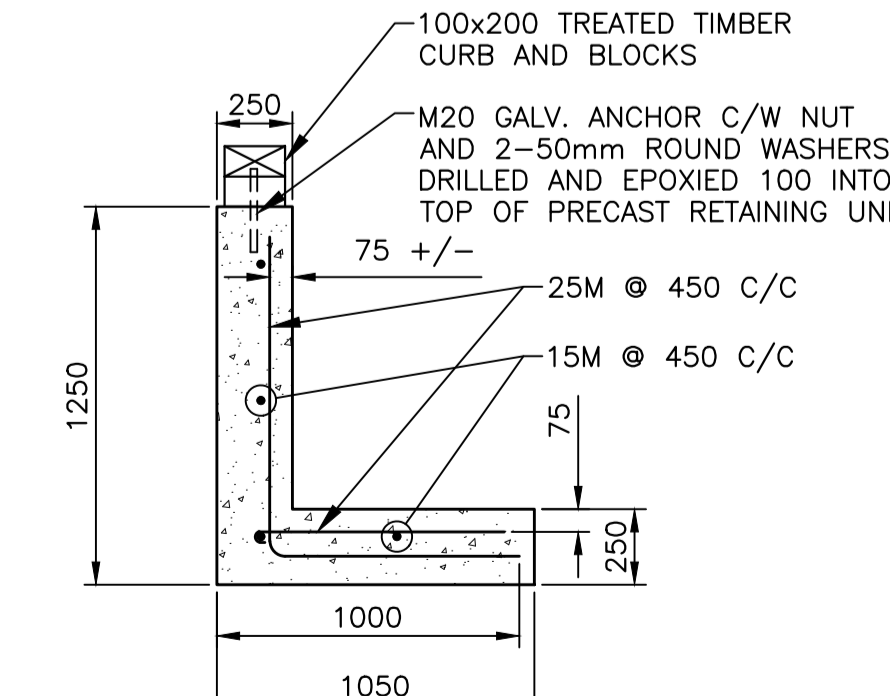
**TYPE A PRECAST RETAINING UNIT** (7 M2)  
 SCALE: 1:25



**TYPE B PRECAST RETAINING UNIT** (8 M2)  
 SCALE: 1:25



**TYPE C PRECAST RETAINING UNIT** (9 M2)  
 SCALE: 1:25



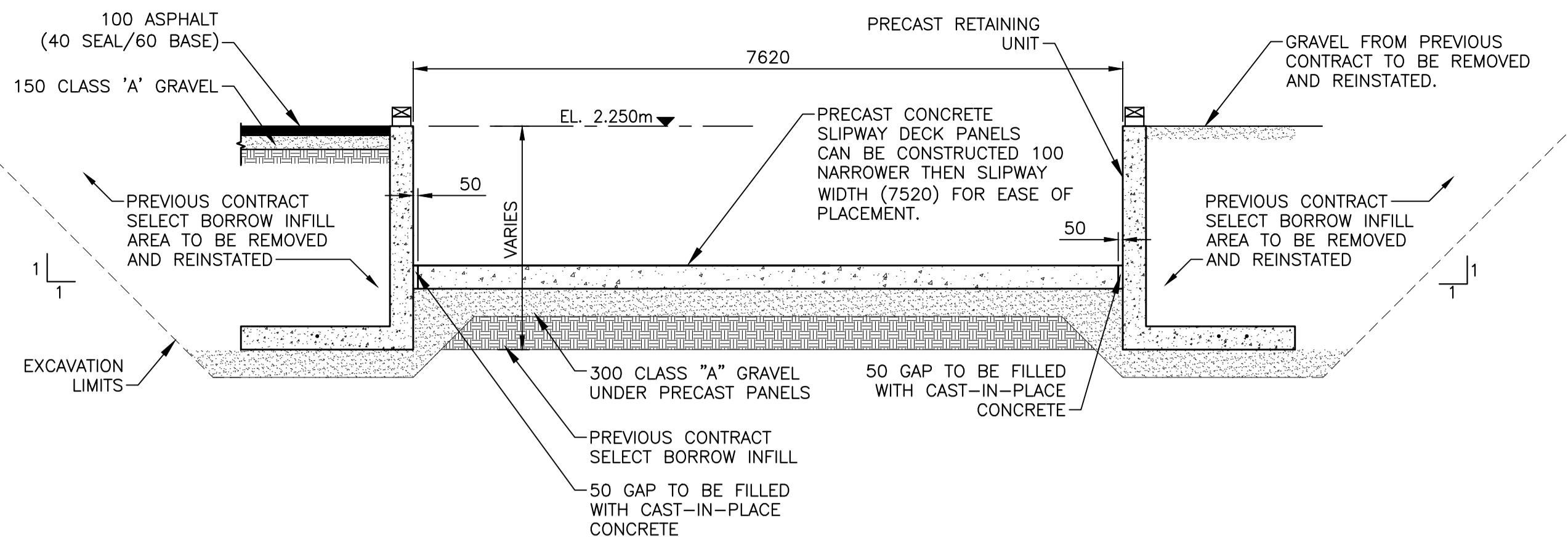
**TYPE D PRECAST RETAINING UNIT** (10 M2)  
 SCALE: 1:25

revisions	description	date
6	ISSUED FOR 99% REVIEW	11/19 2015
5	H-PILE CONSTRUCTION	11/19 2015
4	ISSUED FOR TENDER	09/11 2015
3	ISSUED FOR 100% REVIEW	09/02 2015
2	ISSUED FOR 99% REVIEW	08/18 2015
1	ISSUED FOR 60% REVIEW	08/04 2015
0	ISSUED FOR REVIEW	07/21 2015

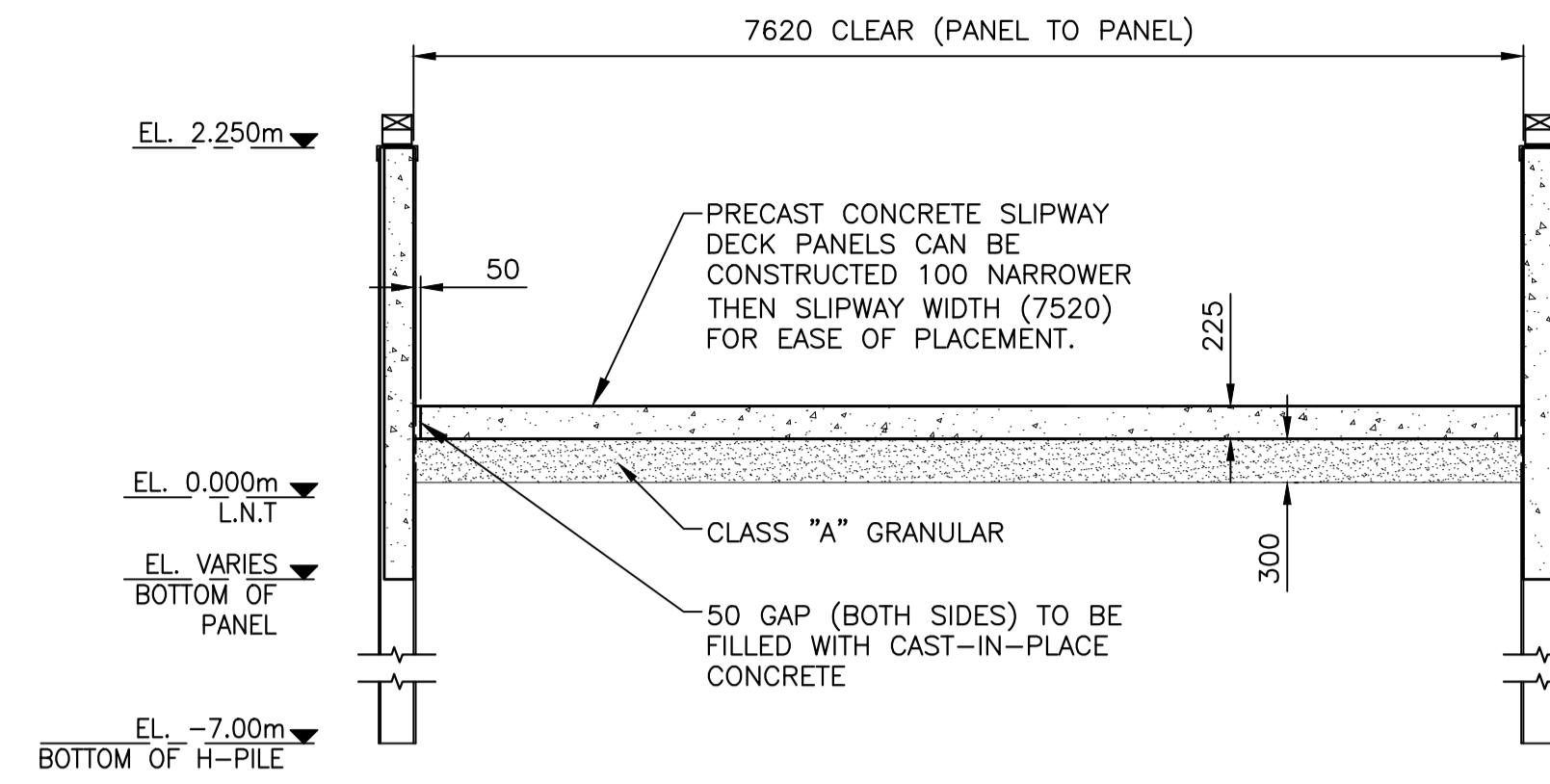
**TRACADIE LAUNCH FACILITY CONSTRUCTION 502P TRACADIE QUEENS COUNTY, PEI**

**SLIPWAY DETAILS & CONNECTIONS**

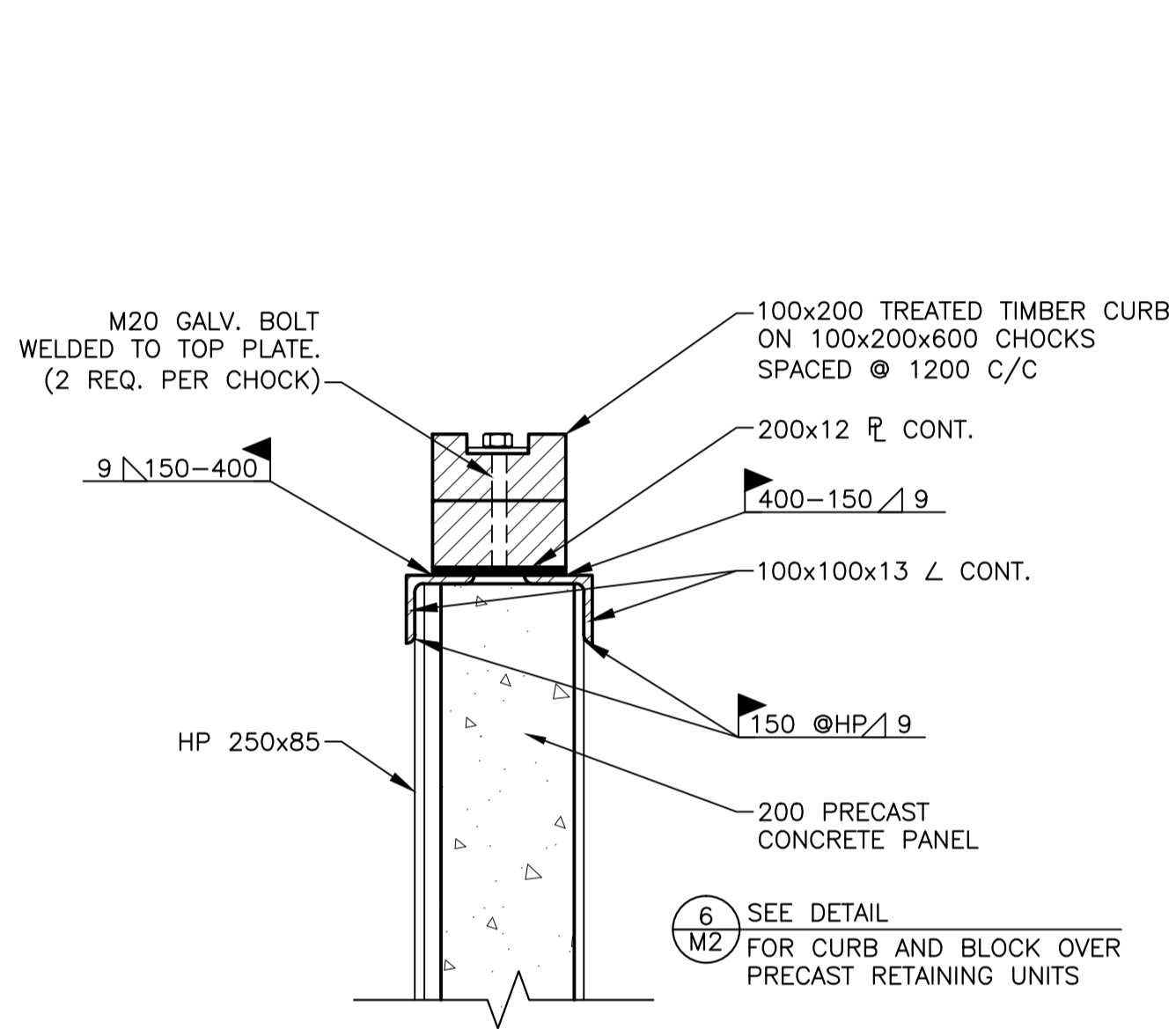
designed	T. HARLAND	conçu
date	NOVEMBER 14, 2015	
drawn	E. BALDERSTON	dessiné
date	DECEMBER 1, 2015	
approved		approuvé
date		
Tender		Soumission
PWSC Project Manager	Administrateur de projets TPSCG	
project number	721672	no. du projet
drawing no.	M2	no. du dessin



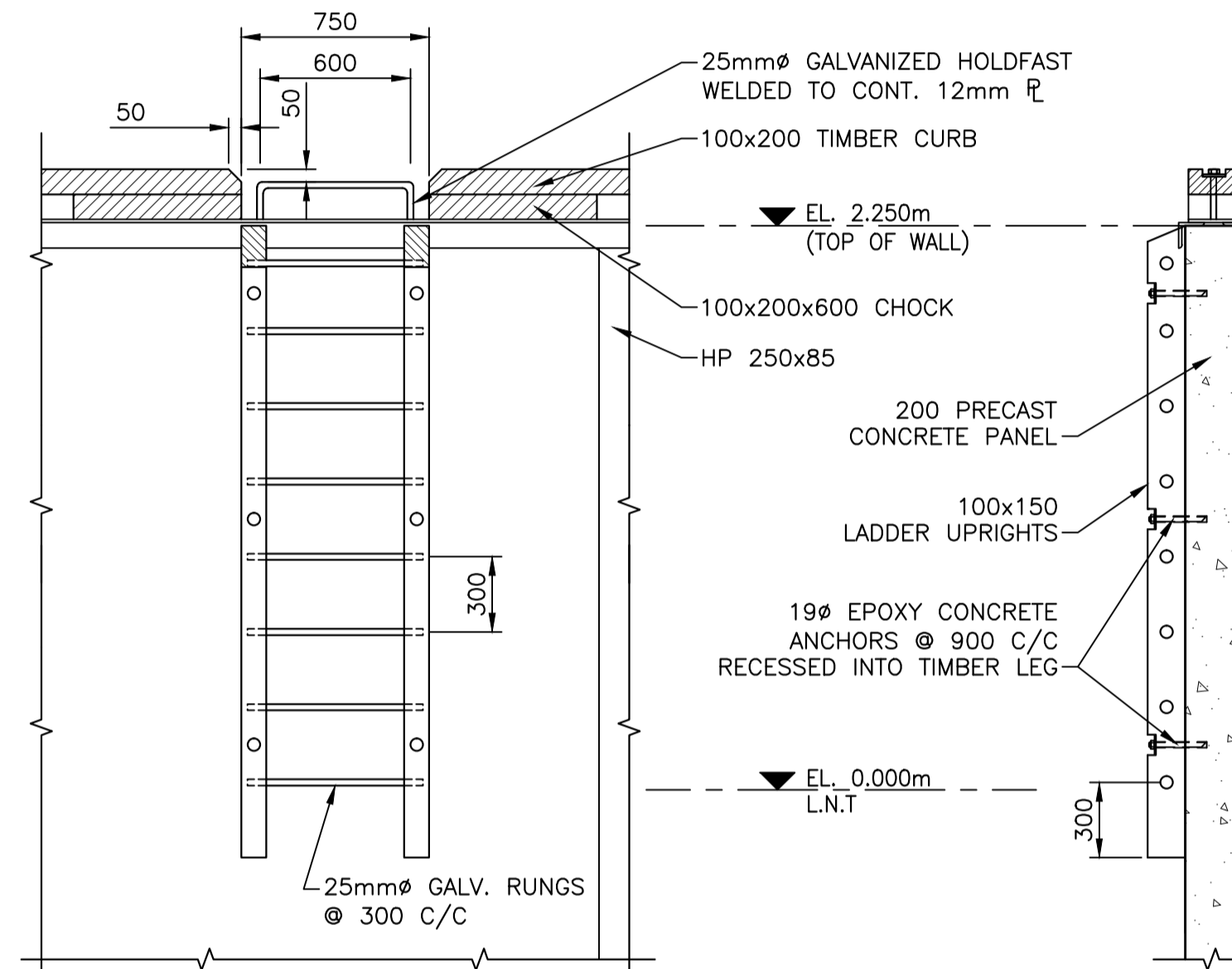
**SLIPWAY SECTION - PRECAST RETAINING UNITS** 1  
 SCALE: 1:50  
 0m 1m 2m 3m 4m 5m



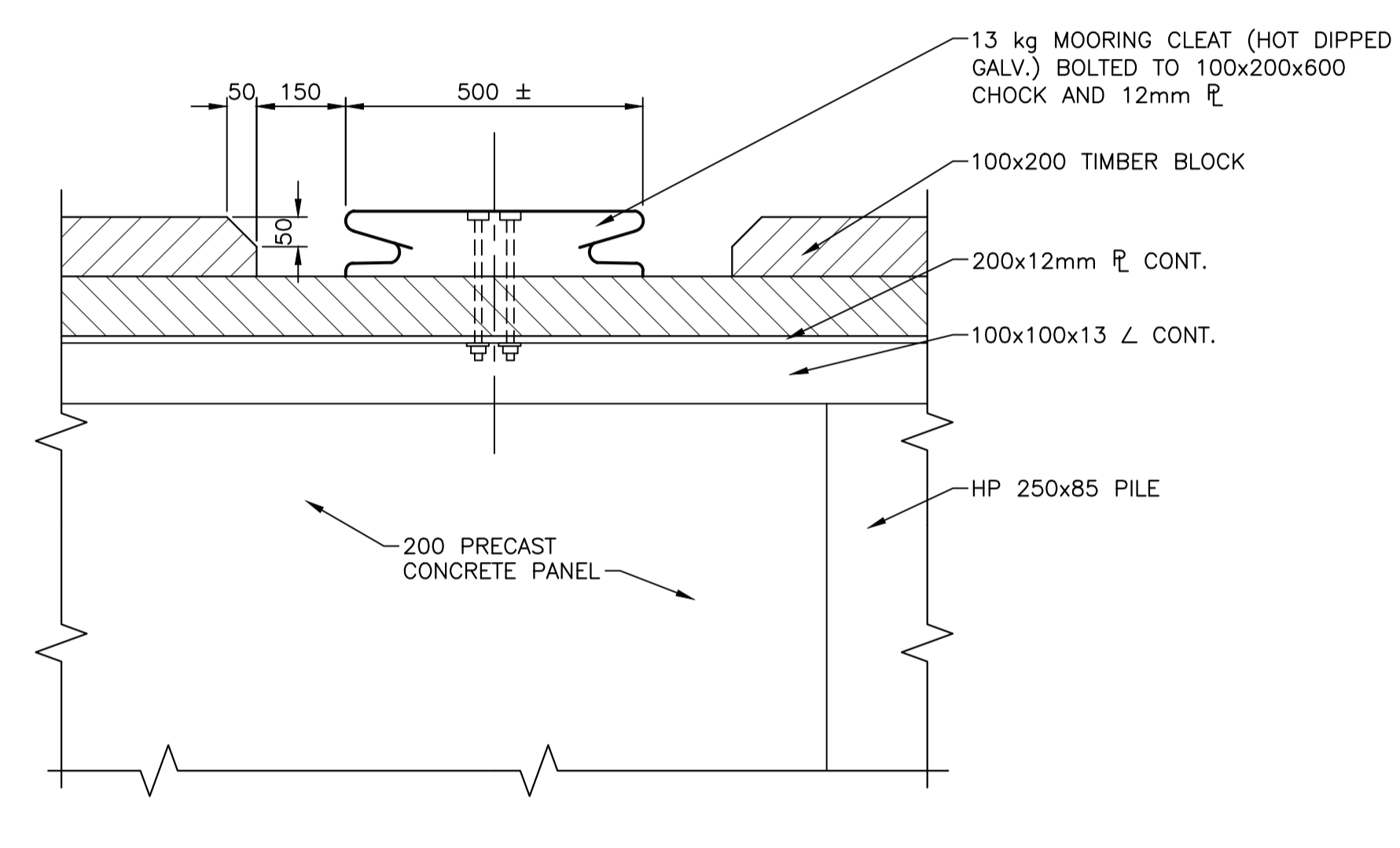
**SLIPWAY SECTION AT H-PILES** 2  
 SCALE: 1:50  
 0m 1m 2m 3m 4m 5m



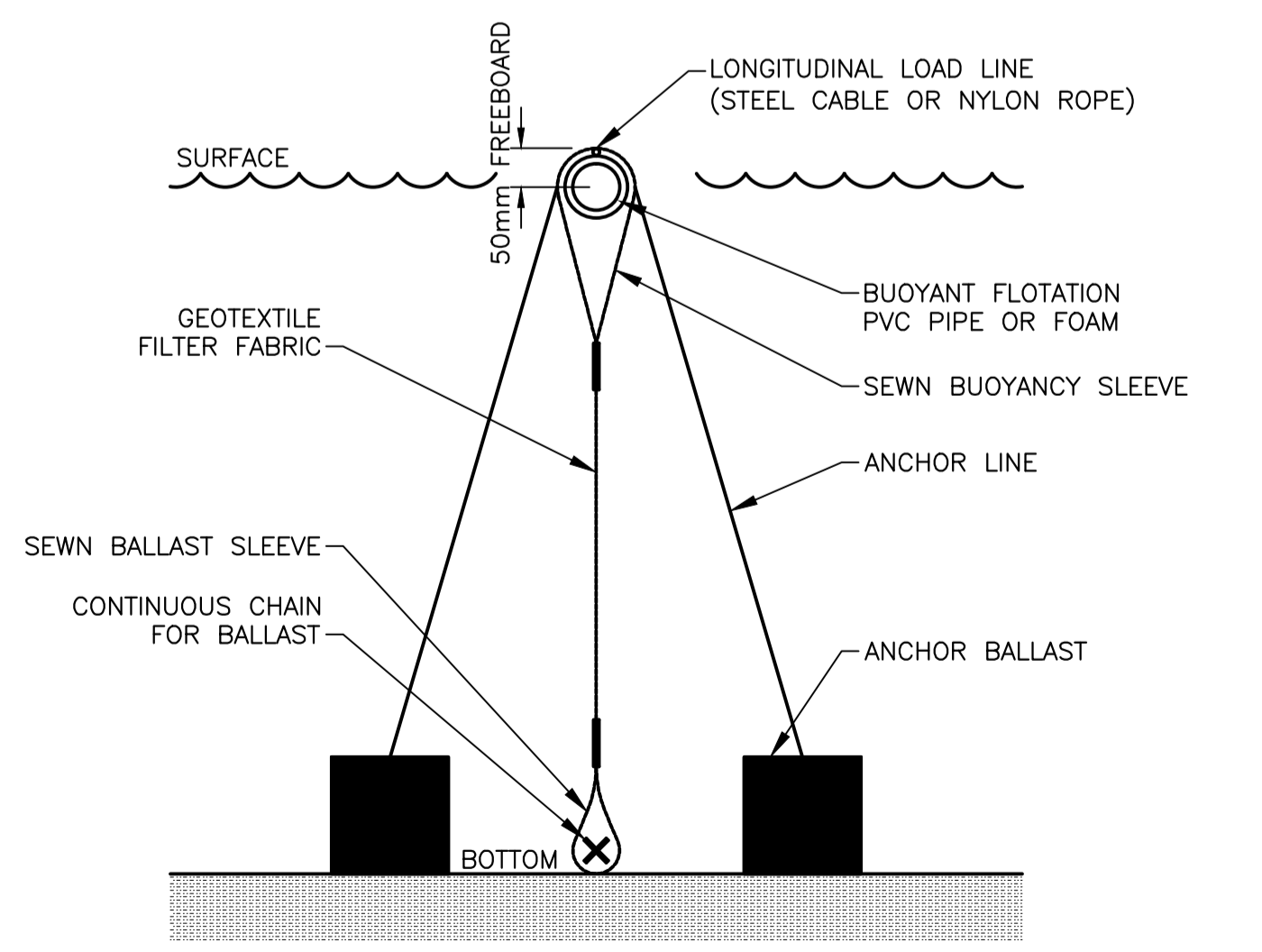
**CURB AND BLOCK OVER PRECAST PANELS** 3  
 SCALE: 1:10  
 0mm 100 200 300 400 500 600 700 800 900 1000mm



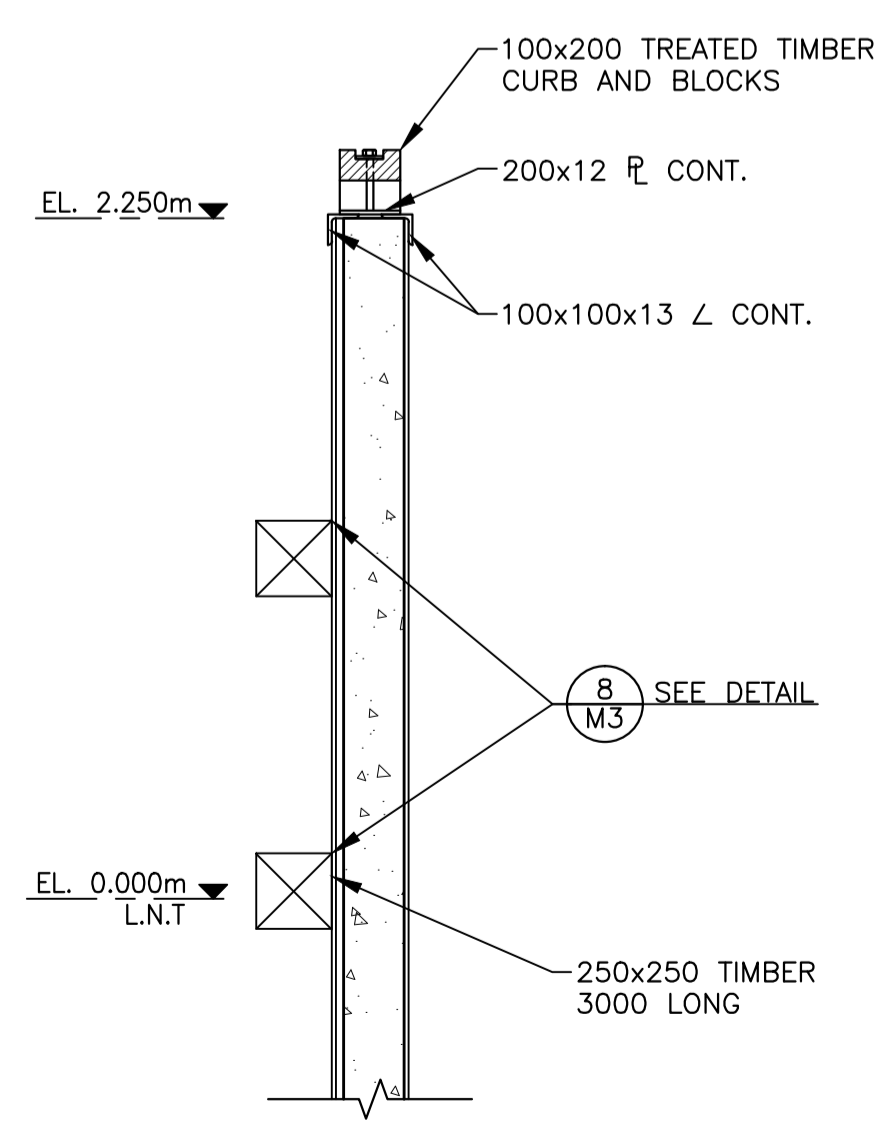
**LADDER DETAIL** 4  
 SCALE: 1:25  
 0mm 500mm 1000mm 1500mm 2000mm 2500mm



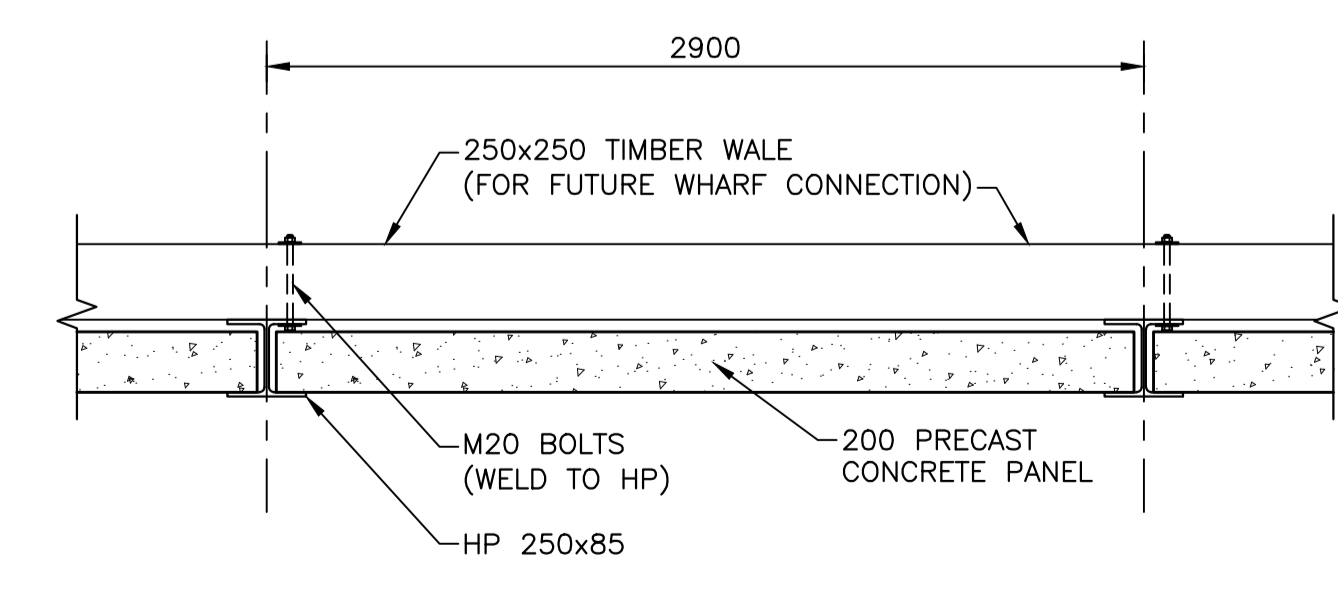
**MOORING CLEAT DETAIL** 5  
 SCALE: 1:10  
 0mm 100 200 300 400 500 600 700 800 900 1000mm



**TYP. SILT BOOM** 6  
 SCALE: N.T.S.



**FUTURE WHARF/CONNECTION DETAIL** 7  
 SCALE: 1:25  
 0mm 500mm 1000mm 1500mm 2000mm 2500mm



**TIMBER WALE CONNECTION** 8  
 SCALE: 1:25  
 0mm 500mm 1000mm 1500mm 2000mm 2500mm

6	ISSUED FOR 99% REVIEW	11/19 2015
5	H-PILE CONSTRUCTION	11/19 2015
4	ISSUED FOR TENDER	09/11 2015
3	ISSUED FOR 100% REVIEW	09/02 2015
2	ISSUED FOR 99% REVIEW	08/18 2015
1	ISSUED FOR 60% REVIEW	08/04 2015
0	ISSUED FOR REVIEW	07/21 2015
revisions		date

project TRACADIE LAUNCH FACILITY CONSTRUCTION 502P TRACADIE QUEENS COUNTY, PEI

drawing design

**SLIPWAY SECTIONS & DETAILS**

designed T. HARLAND conçu  
 date NOVEMBER 14, 2015  
 drawn E. BALDERSTON dessiné  
 date DECEMBER 1, 2015  
 approved approuvé  
 date  
 Tender Soumission

PWSC Project Manager Administrateur de projets TPSCG  
 project number no. du projet  
**721672**  
 drawing no. no. du dessin

**M3**