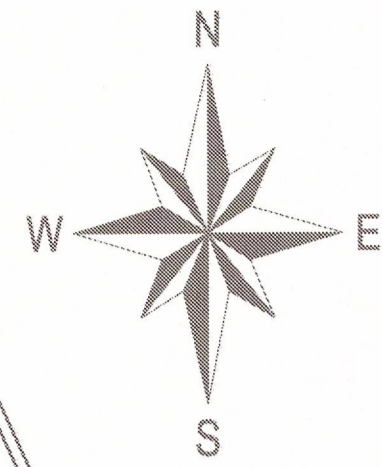
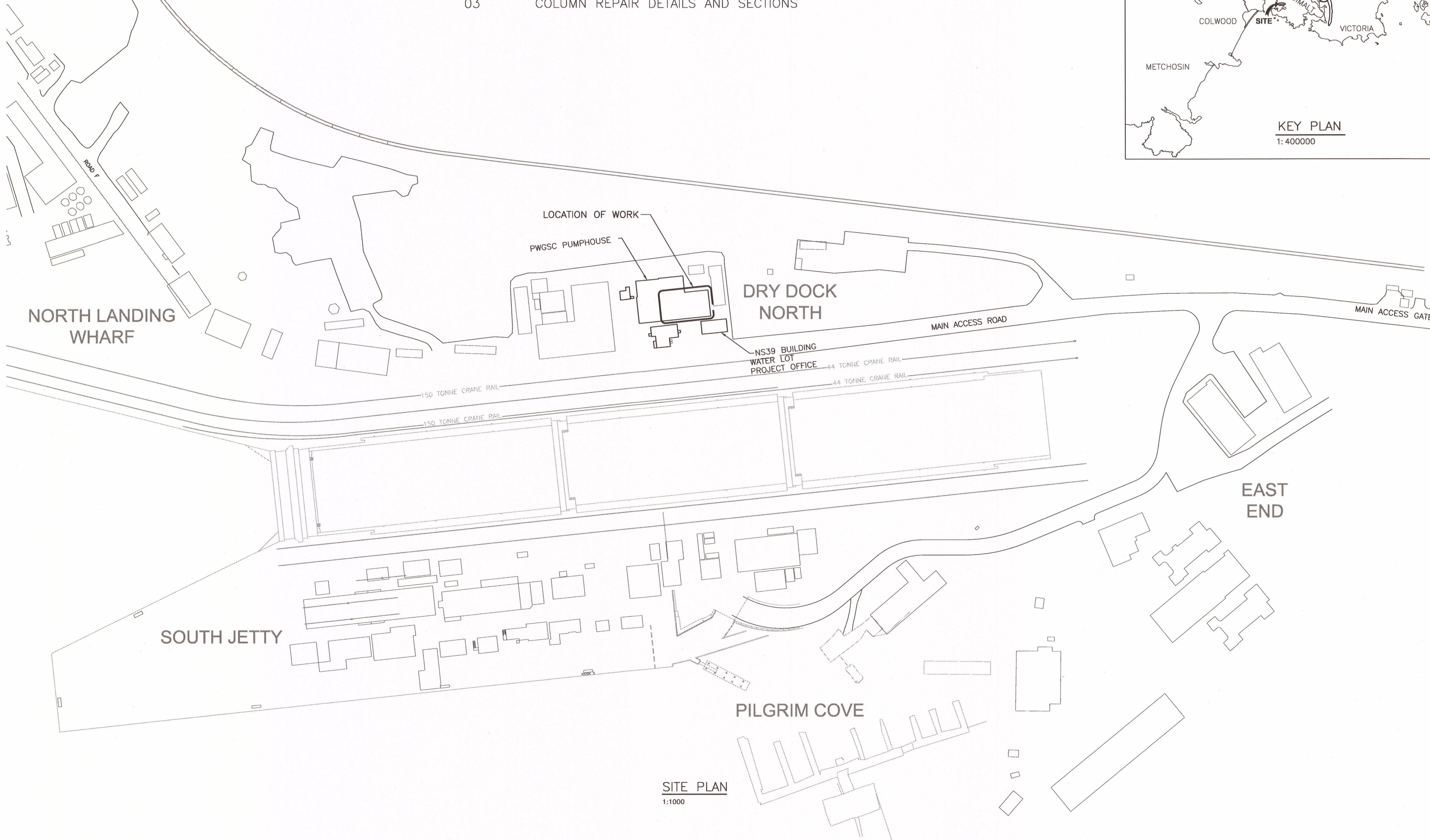
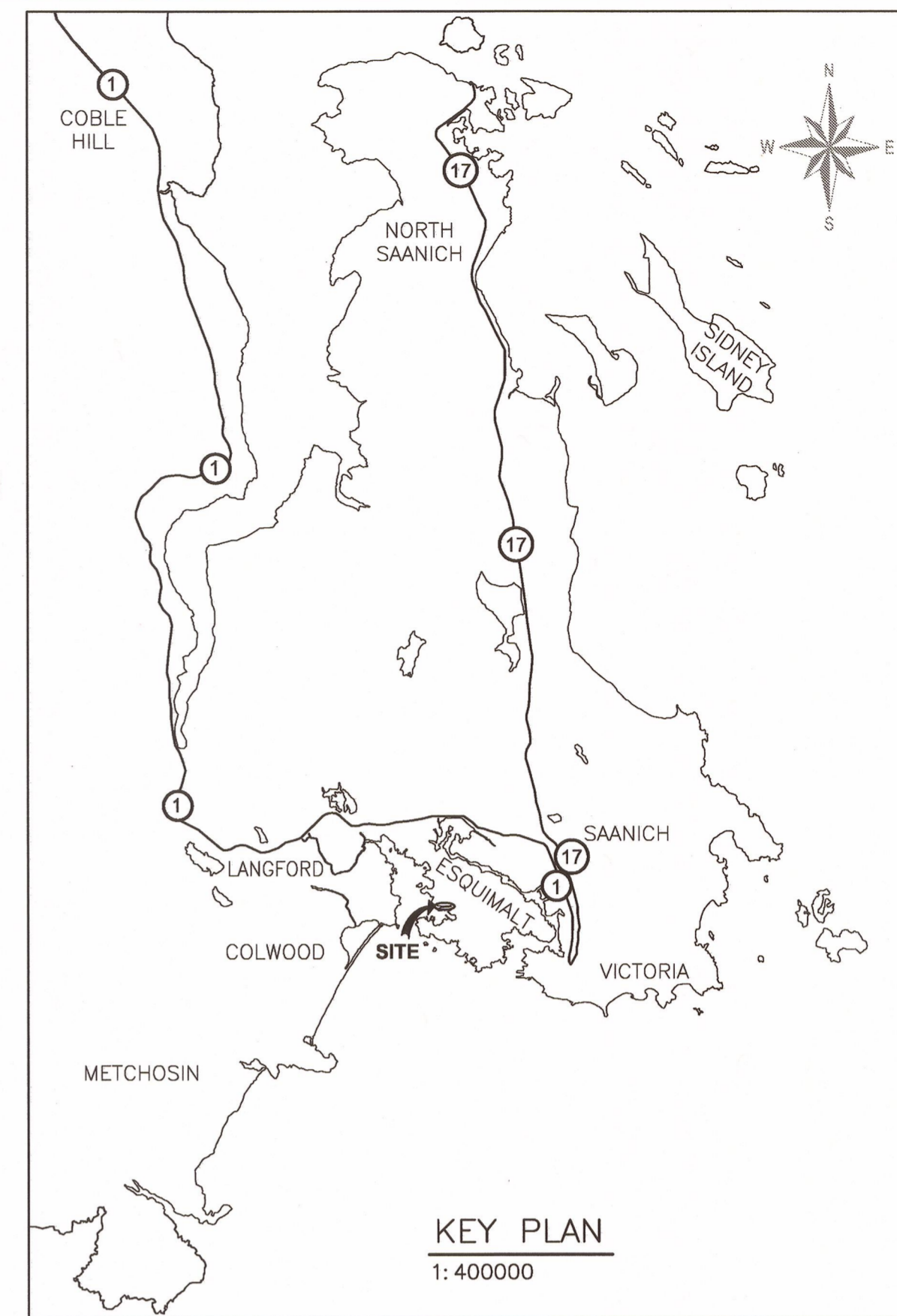


# PUBLIC WORKS & GOVERNMENT SERVICES CANADA

## PUMPHOUSE STEEL COLUMN REPAIR - PROJECT No. R.016116.109



SHEET #	DESCRIPTION
01	KEY PLAN & SITE PLAN
02	PUMPHOUSE PLAN AND SECTIONS
03	COLUMN REPAIR DETAILS AND SECTIONS



Public Works and Government Services Canada / Travaux publics et Services gouvernementaux Canada

REAL PROPERTY SERVICES Pacific Region / SERVICES IMMOBILIERS Région de Pacifique

**HEROLD ENGINEERING LIMITED**  
Consulting Engineers

3191-007



Revision/ Révision	Description/ Description	Date/ Date
5		
4		
3		
2	ISSUED FOR TENDER	2015/12/04
1	ISSUED FOR 90% REVIEW	2015/11/20
0	ISSUED FOR 80% REVIEW	2015/10/28

Clients/clients

**ESQUIMALT GRAVING DOCK**

825 ADMIRALS ROAD  
ESQUIMALT, B.C., V9A 2P1

Project title/Titre du projet

**PUMPHOUSE STEEL COLUMN REPAIR**

Consultant Signature Only

Designed by/Conçept par  
**TMW**

Drawn by/ Dessiné par  
**PHU OCT2015 / BOG DEC2015**

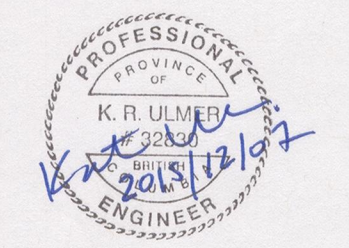
PWGSC: Project Manager/Administrateur de Projets TPSGC  
**JON SISKKA**

Regional Manager, Architectural and Engineering Services  
Gestionnaire régionale, Services d'architectural et de génie, TPSGC

Drawing title/Titre du dessin

**KEY PLAN & SITE PLAN**

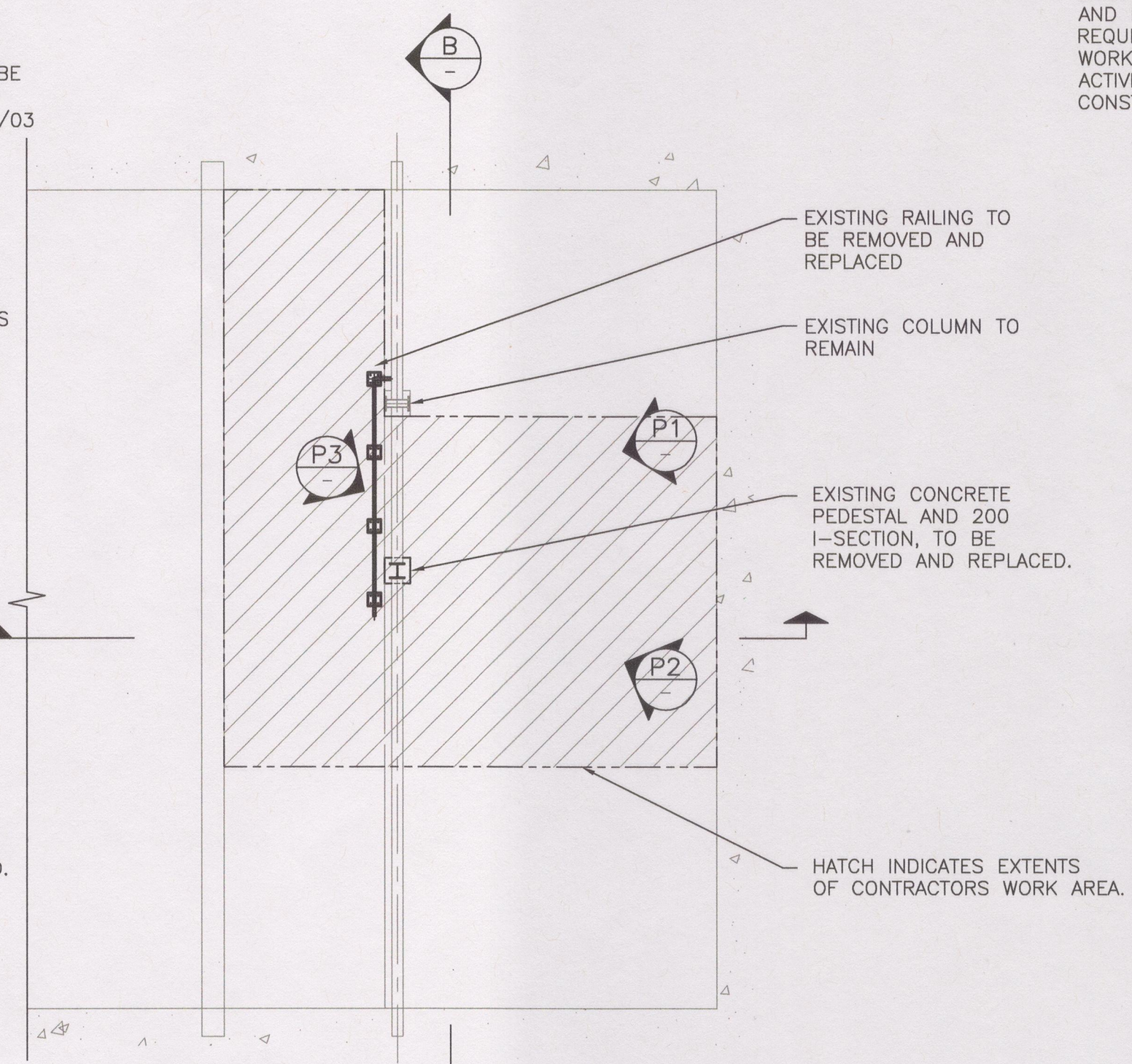
Project No./No. du projet <b>R.016116.109</b>	Sheet/Feuille <b>01</b> OF 03	Revision no./La Révision no. <b>2</b>
--	-------------------------------------	--



EXISTING I-SECTION TO BE PARTIALLY REMOVED AND REPLACED SEE DETAIL 2/03

RELOCATE EXISTING PIPES TO FACILITATE WORK. PIPES TO REMAIN ACTIVE DURING CONSTRUCTION.

EXISTING CONCRETE PEDESTAL AND 200 I-SECTION, TO BE REMOVED AND REPLACED.



EXISTING PIPES, REMOVED AND REINSTALLED AS REQUIRED TO FACILITATE WORK. PIPES TO REMAIN ACTIVE DURING CONSTRUCTION.

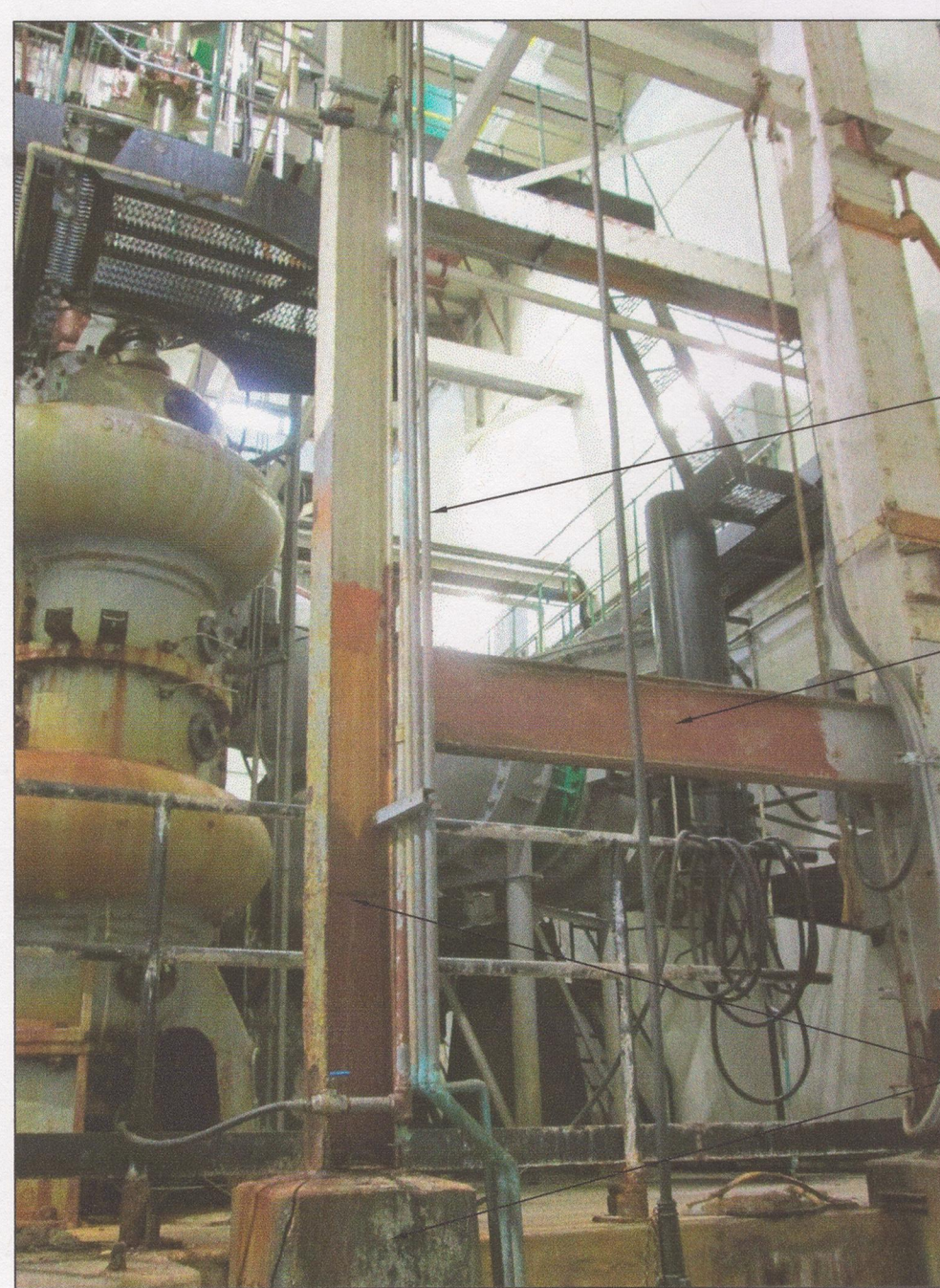


EXISTING CONCRETE PEDESTAL AND 200 I-SECTION, TO BE REMOVED AND REPLACED.

EXISTING GUARDRAIL, REMOVE AND REPLACE, REFER TO DETAILS

P3 EXISTING COLUMN BASE & GUARDRAIL PHOTO

P1 EXISTING COLUMN, PEDASTAL & AUX. PUMPS PHOTO

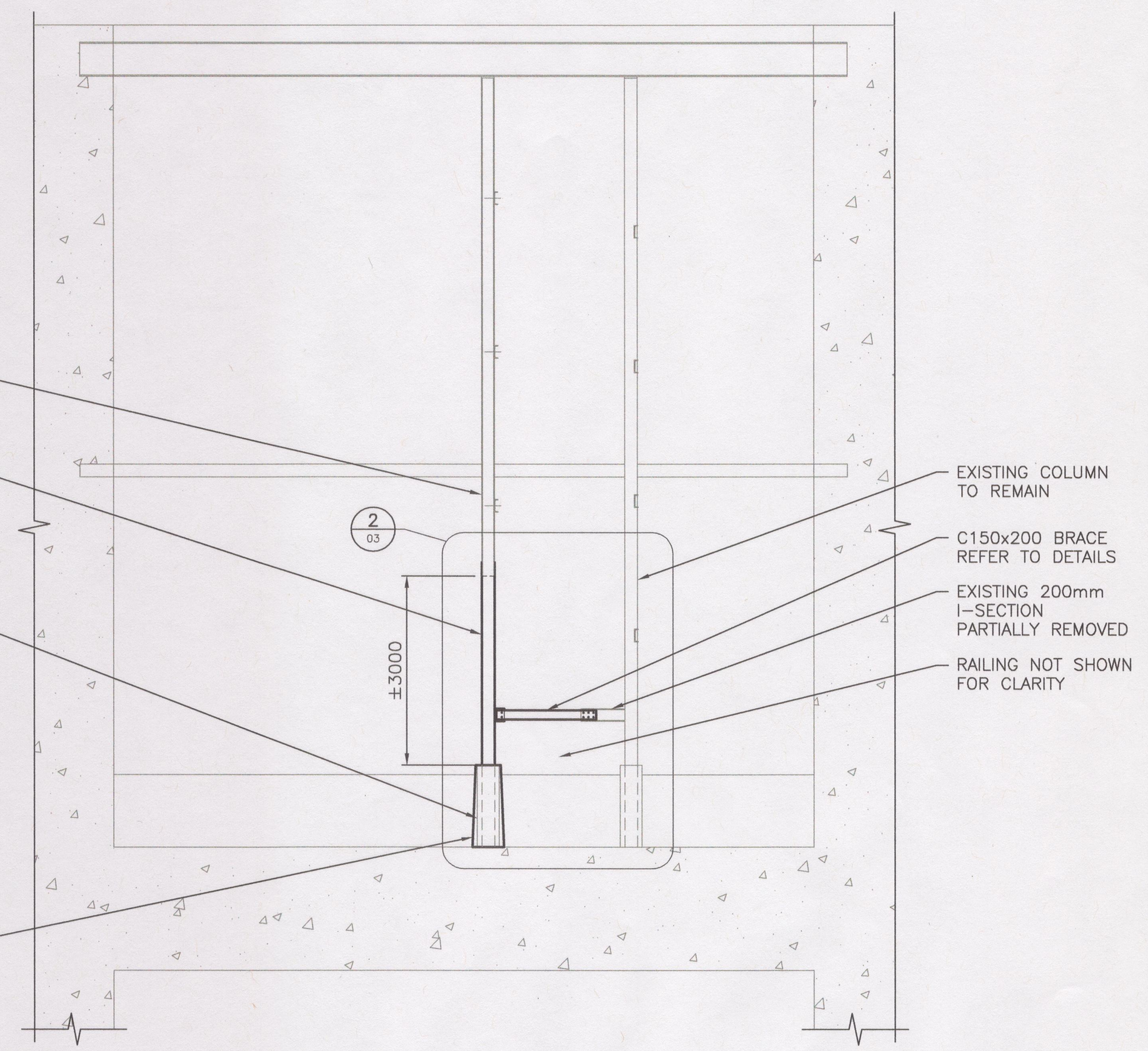
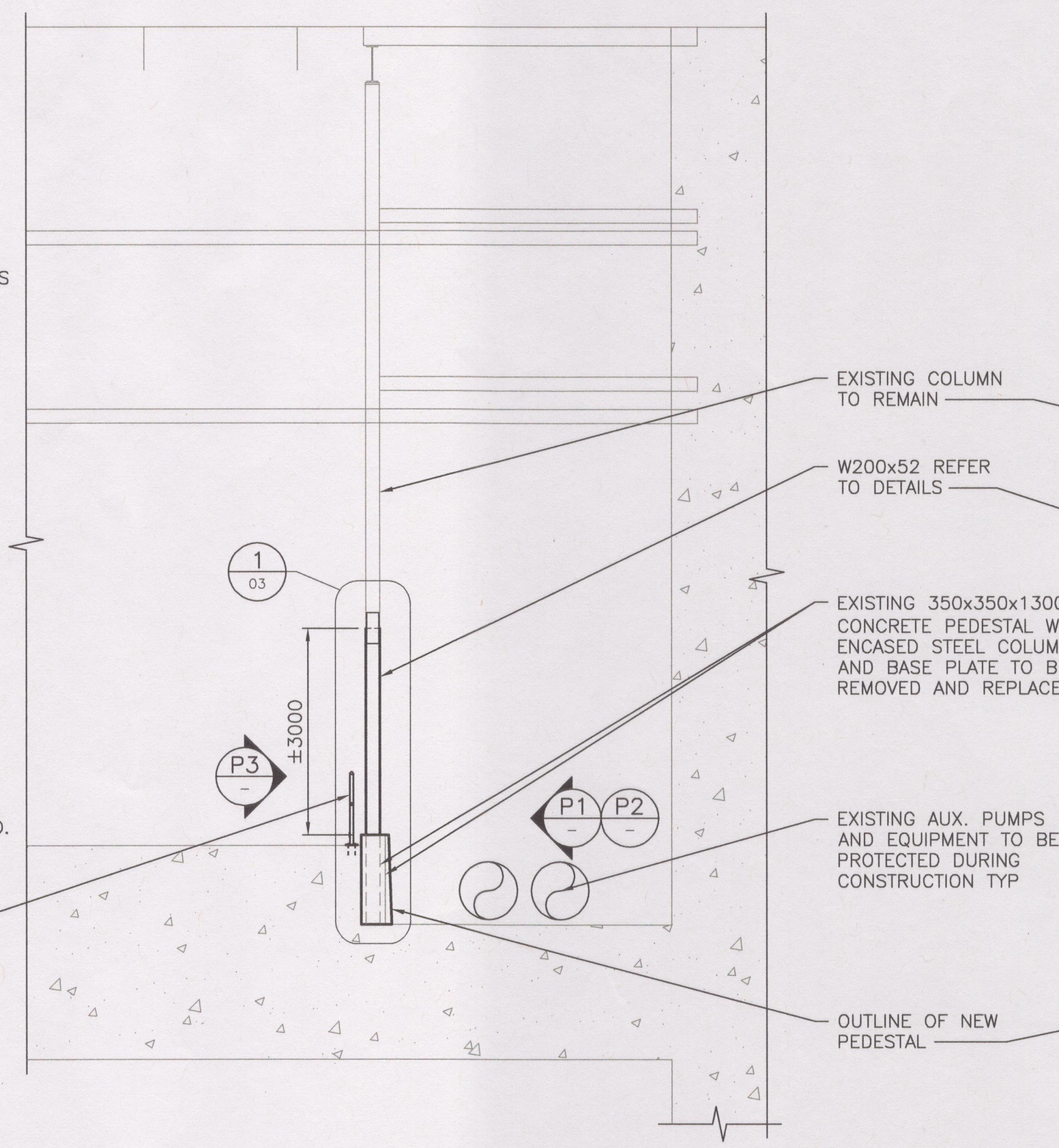


RELOCATE EXISTING PIPES TO FACILITATE WORK. PIPES TO REMAIN ACTIVE DURING CONSTRUCTION.

EXISTING I-SECTION TO BE PARTIALLY REMOVED AND REPLACED SEE DETAIL 2/03

EXISTING CONCRETE PEDESTAL AND 200 I-SECTION, TO BE REMOVED AND REPLACED.

EXISTING RAILING TO BE REMOVED AND REPLACED



P2 EXISTING COLUMN & SERVICE PIPES PHOTO

5		
4		
3		
2	ISSUED FOR TENDER	2015/12/04
1	ISSUED FOR 90% REVIEW	2015/11/20
0	ISSUED FOR 60% REVIEW	2015/10/28
Revision/Revisions	Description/Description	Date/Date

Client/Client  
**ESQUIMALT GRAVING DOCK**  
825 ADMIRALS ROAD  
ESQUIMALT, B.C., V9A 2P1

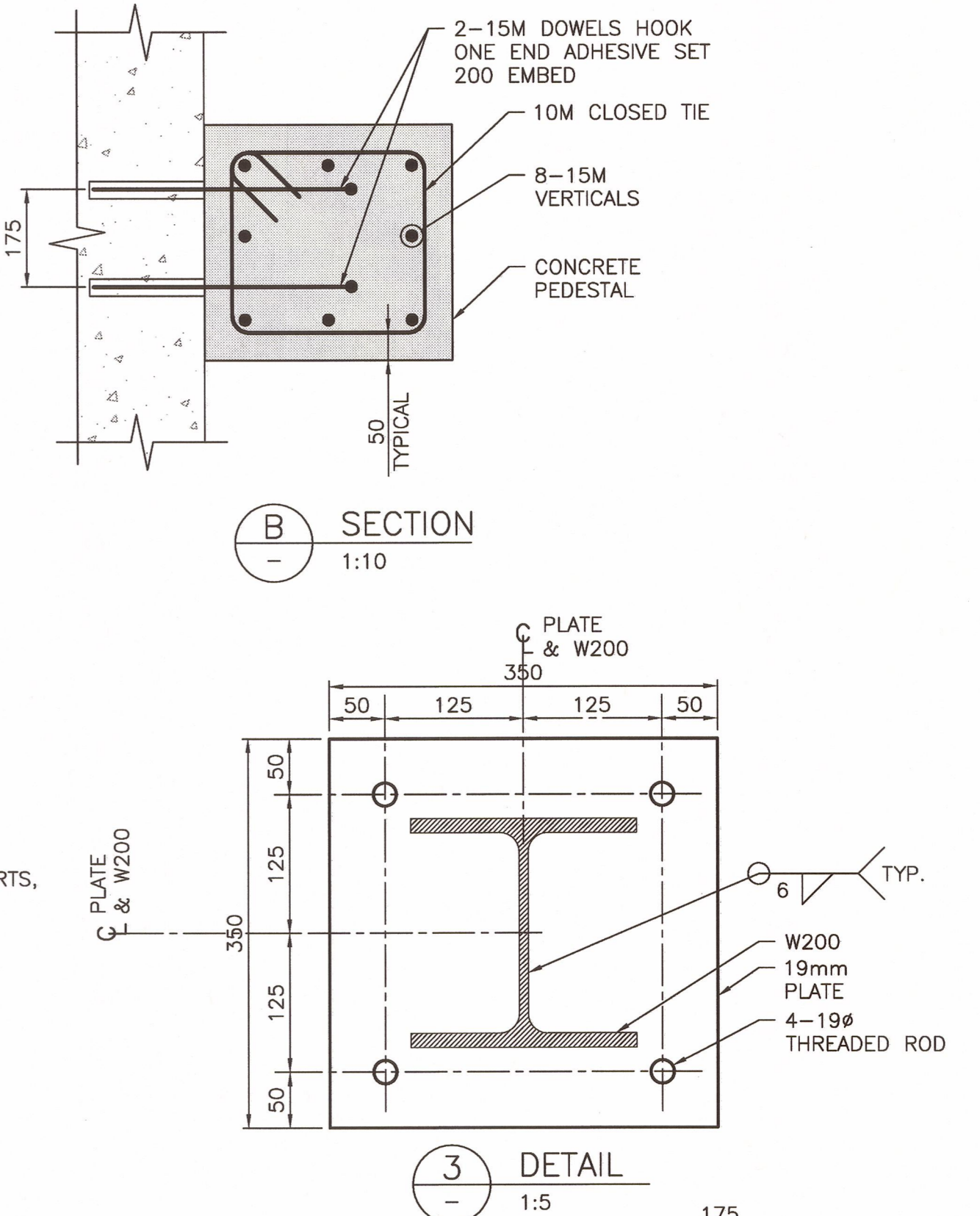
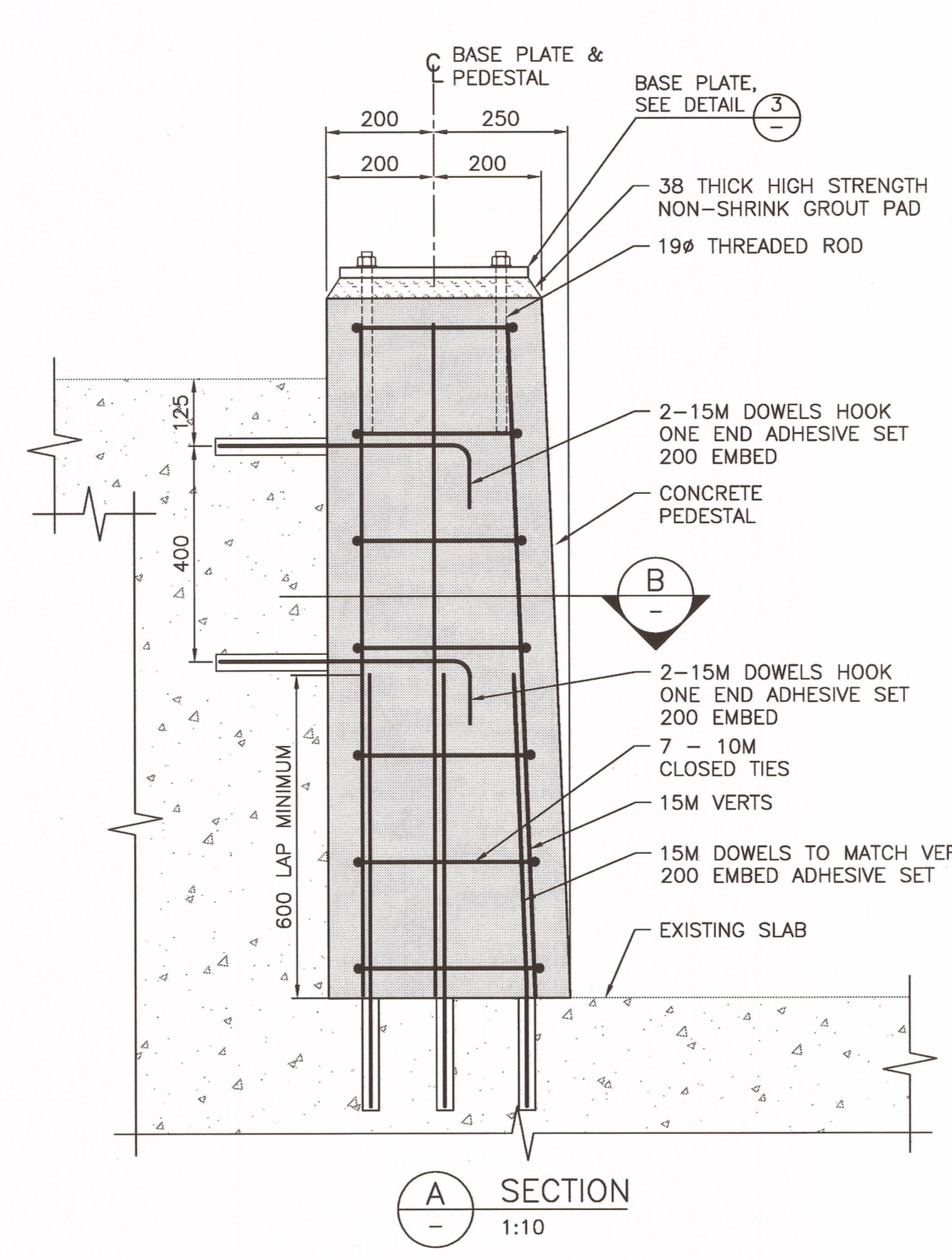
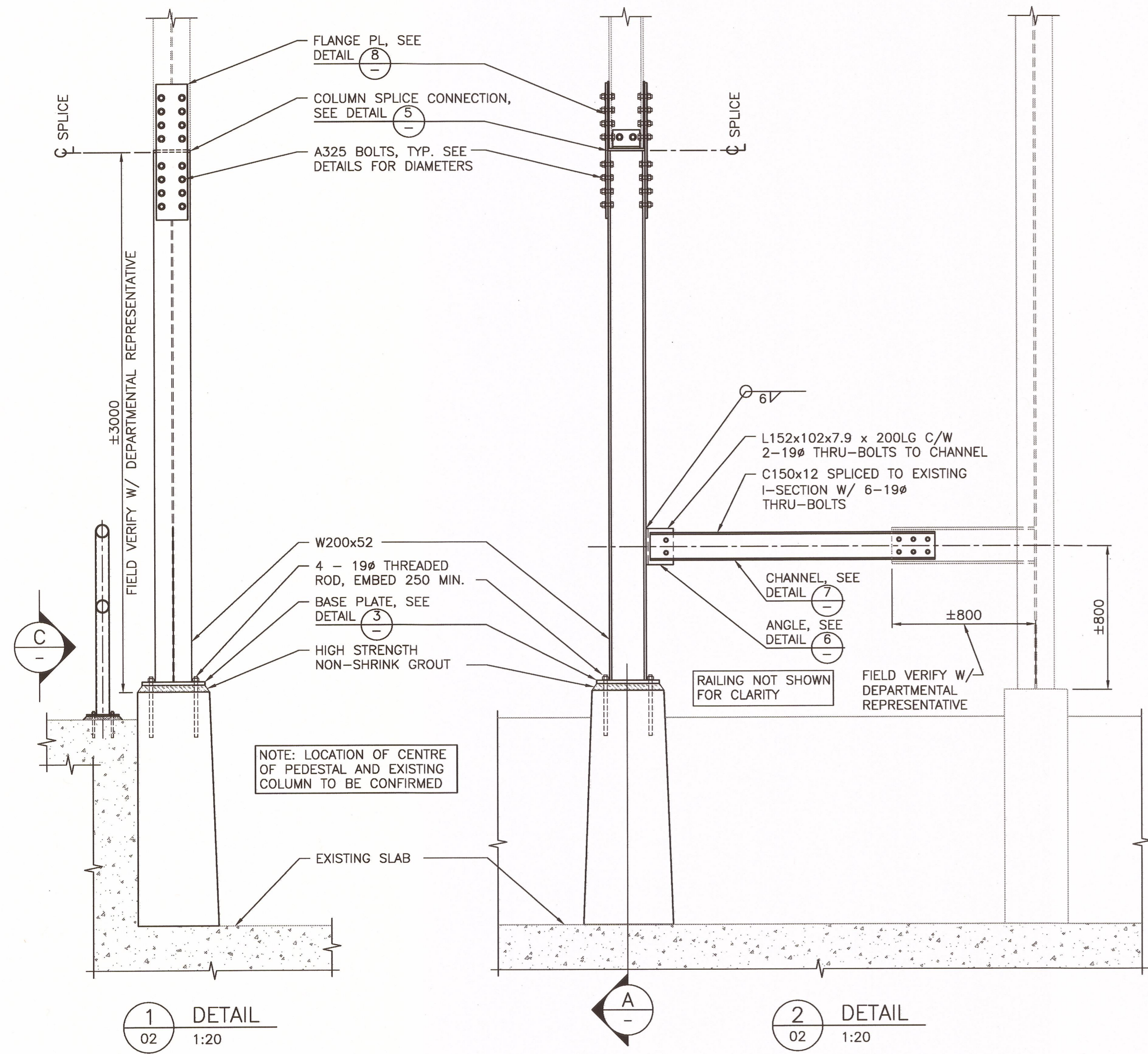
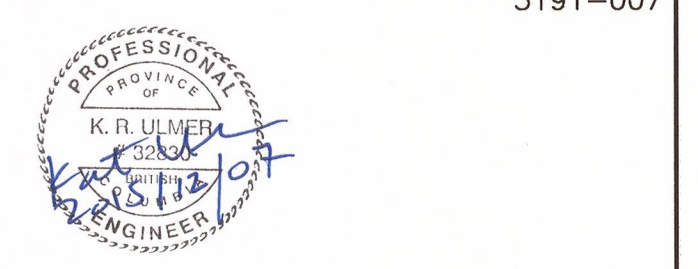
Project title/Titre du projet  
**PUMPHOUSE STEEL COLUMN REPAIR**

Consultant Signature Only  
Designed by/Concept par  
**TMW**  
Drawn by/Dessiné par  
**PHU OCT2015 / BOG DEC2015**  
PWOSC, Project Manager/Administrateur de Projets TPSOC  
**JON SISKA**  
Regional Manager, Architectural and Engineering Services  
Gestionnaire régional, Services d'architecture et de génie, TPSOC

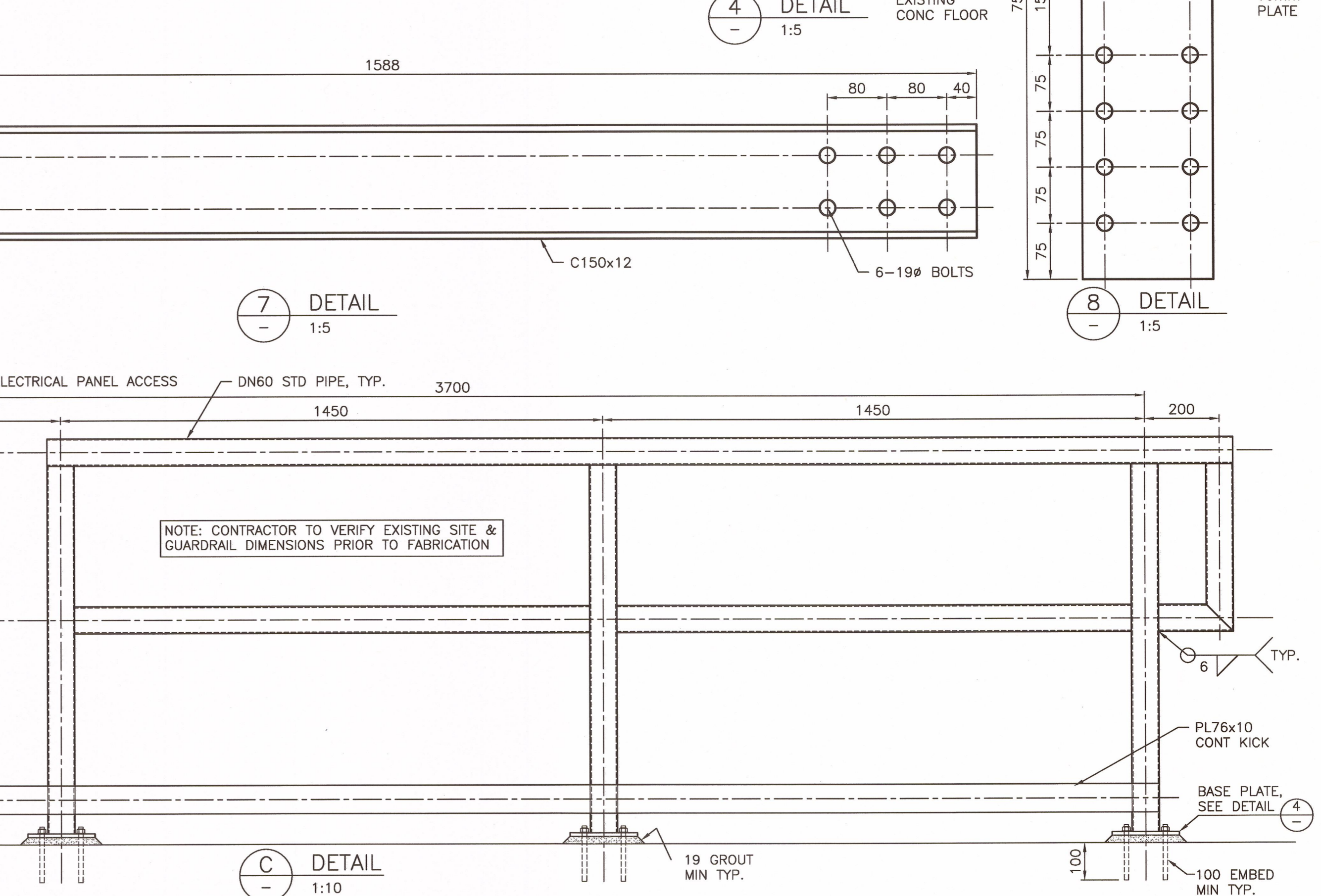
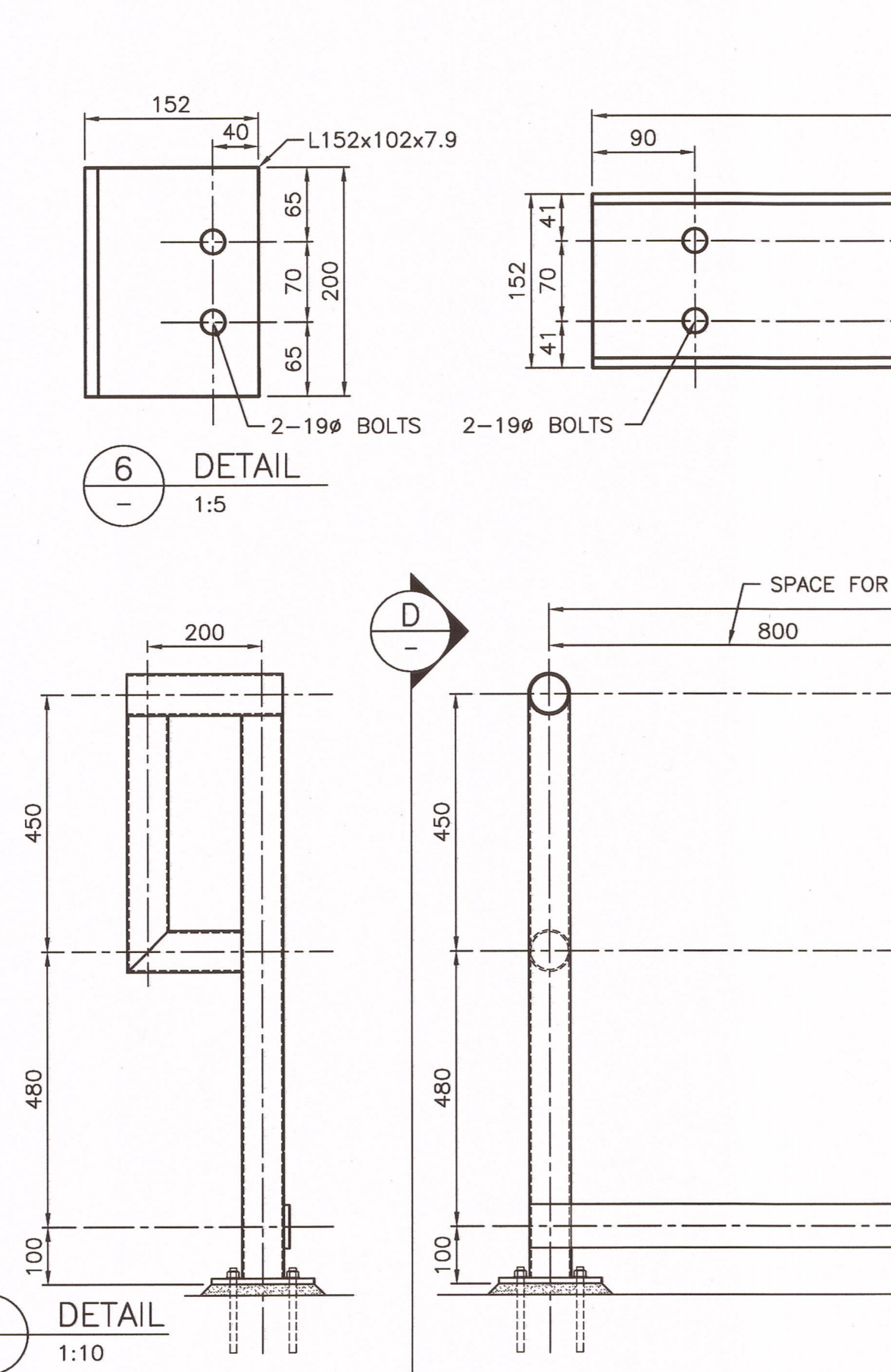
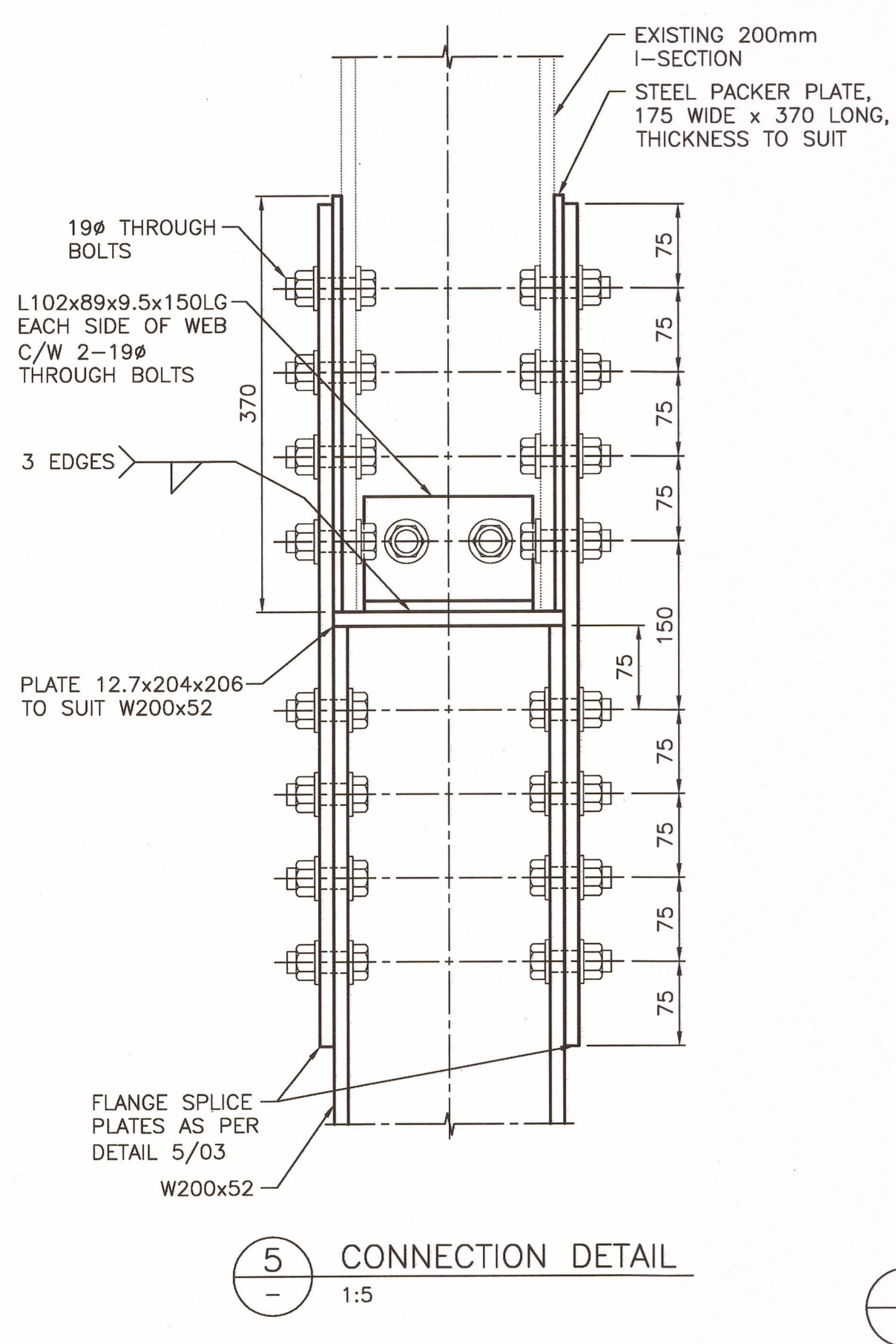
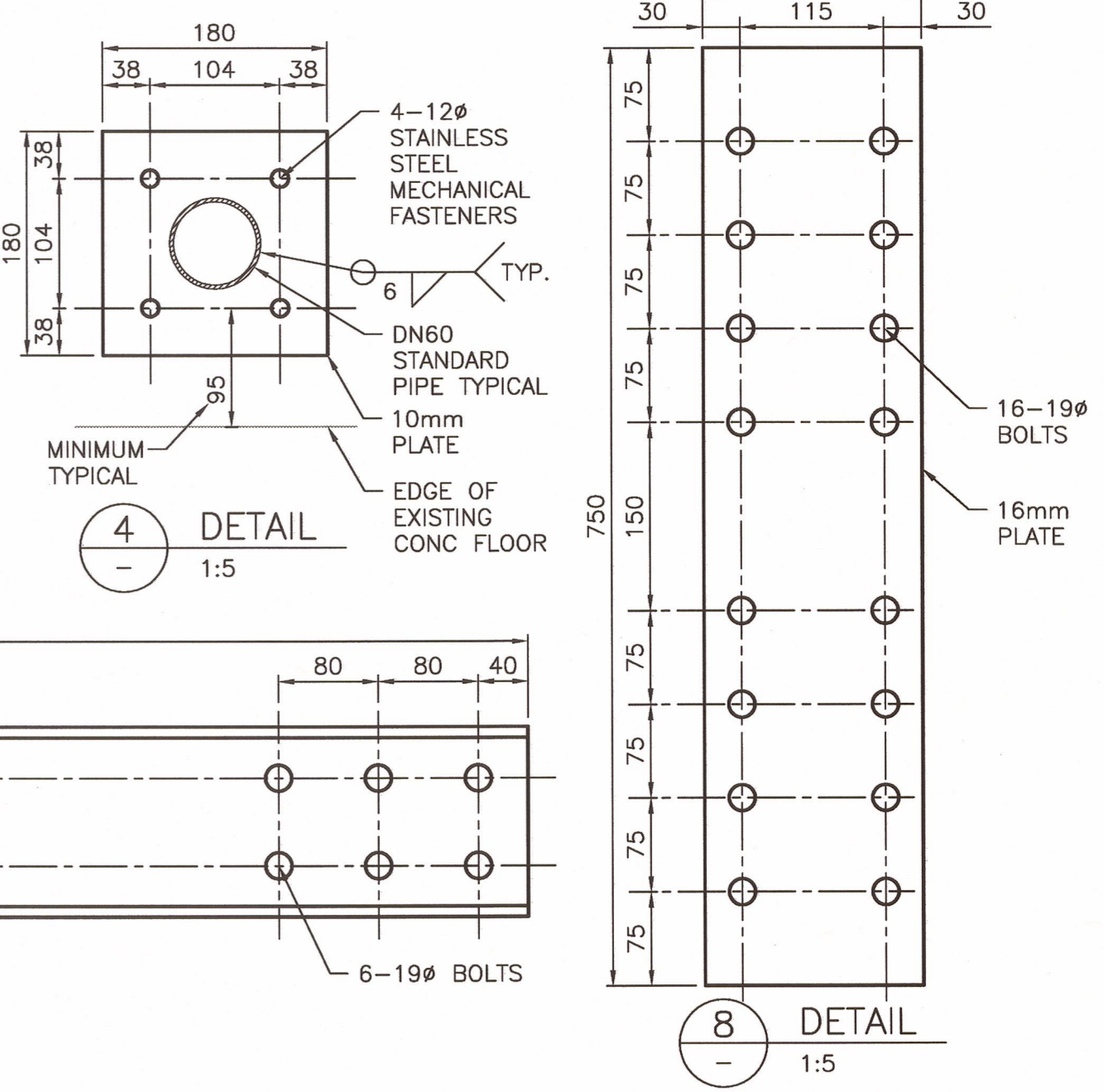
Drawing title/Titre du dessin  
**PUMPHOUSE PLAN AND SECTIONS**

NOTE: NO SURVEY OF EXISTING STRUCTURE HAS BEEN COMPLETED. LAYOUT SHOWN IS APPROXIMATE

Project No./No. du projet	Sheet/Feuille	Revision no./La Révision no.
<b>R.016116.109</b>	<b>02</b> OF 03	<b>2</b>



NOTE: ALL NEW STEEL TO BE HOT DIPPED GALVANIZED



5		
4		
3		
2	ISSUED FOR TENDER	2015/12/04
1	ISSUED FOR 99% REVIEW	2015/11/20
0	ISSUED FOR 66% REVIEW	2015/10/26
Revision/Description	Description/Description	Date/Date

**ESQUIMALT GRAVING DOCK**

825 ADMIRALS ROAD  
 ESQUIMALT, B.C., V9A 2P1

Project title/Titre du projet

**PUMPHOUSE STEEL COLUMN REPAIR**

Consultant Signature Only

Designed by/Concept par  
**TMW**

Drawn by/Dessiné par  
**PHU OCT2015 / BOG DEC2015**

PWGSC Project Manager/Administrateur de Projets TPSGC  
**JON SISKIA**

Regional Manager, Architectural and Engineering Services  
 Gestionnaire régional, Services d'architecture et de génie, TPSGC

Drawing title/Titre du dessin  
**COLUMN REPAIR DETAILS AND SECTIONS**

Project No./No. du projet	Sheet/Feuille	Revision no./La Révision no.
<b>R.016116.109</b>	<b>03</b> OF 03	<b>2</b>

