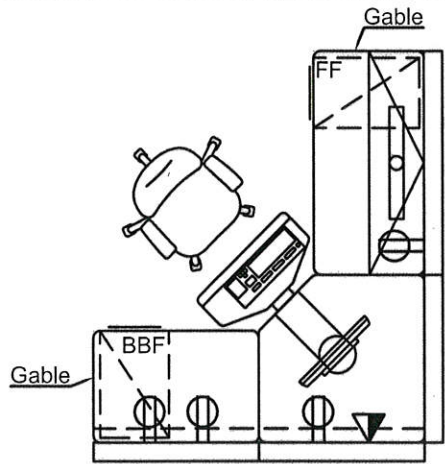


Panel Hung Plastic Laminate Furniture Component Typical Layouts

Workstation: 4.5m² / 50ft²-pi² - WSTN-01 and WSTN-05 (Rooms 0050 and 704)

Furniture Plan



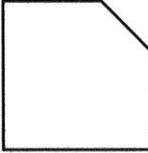
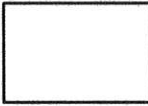
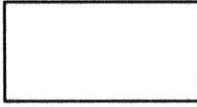
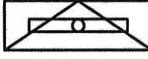
Furniture Components

Item: Description:


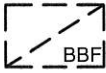
Workstation Components:

	- 914mm (36") wide x 1676mm (66") high panels
	- 1219mm (48") wide x 1676mm (66") high panels


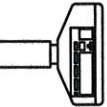
Panel Hung Components:

	- 914mm (36") x 914mm (36") - Corner work surface
	- 914mm (36") x 610mm (24") - Work surface
	- 1219mm (48") x 610mm (24") - Work surface
	- 1219mm (48") x 304mm (12") or to be of a depth to accommodate a regular binder. - Overhead storage bins with a task light beneath - Overhead storage to lock

Freestanding Components:



	- 610mm (24") x 381mm (15") - File/file mobile pedestal - Pedestal to lock, finished on all sides
	- 610mm (24") x 381mm (15") - Box/box/file mobile pedestal - Pedestal to lock; finished on all sides

General Notes:

Item:	Description:
	- Wire management mounted to underside and/or rear of worksurface. Wire management to accommodate surge protection bar (8 receptacles) that is ULC listed and meets all applicable codes. Basket installation location should not interfere with pedestal, file, or grommet location.
	- Furniture to accommodate specialty keyboard tray and arm as per following specification; ISE, model: Leader 4 combo with 27" Skate platform with wrist rest.

Electrical Components:

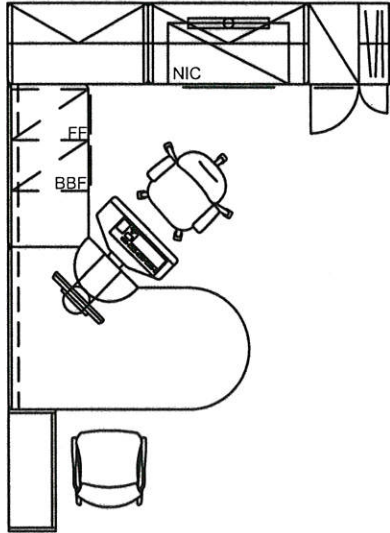
All duplex and voice/data receptacles to be at workstation height and integrated in the panel system.

	- Duplex Receptacle
	- Voice/Data Receptacle

Freestanding Plastic Laminate Furniture Component Typical Layouts

Workstation: 11m² / 120ft²-pi² - WSTN-02 and WSTN-04 - Piano Top Left (Rooms 0044, 0045, 0046, 215d and 500e)

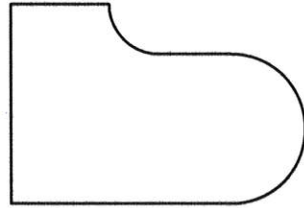
Furniture Plan



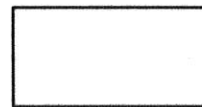
Furniture Components

Item: Description:

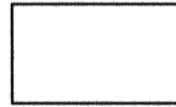
Work Components:



- 1830mm (72") x 1220mm (48") x 914mm (36")
- Piano-top work surface c/w 254mm (10") stretcher/modesty panel and 127mm (5") dia. black metal post leg.



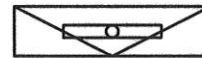
- 1219mm (48") x 610mm (24")
- Work surface



- 1066mm (42") x 610mm (24")
- Work surface



- 1067mm (42") x 304mm (12") or to be of a depth to accommodate a regular binder.
- Overhead storage bin
- Overhead storage to lock



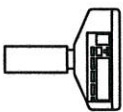
- 1200mm (48") x 304mm (12") or to be of a depth to accommodate a regular binder.
- One overhead storage bin with a task light beneath
- Overhead storage to lock

General Notes:

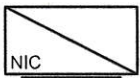
Item: Description:



- To provide wire management mounted to underside and/or rear of worksurface. Wire management to accommodate surge protection bar (8 receptacles) that is ULC listed and meets all applicable codes. Basket installation location should not interfere with pedestal, file, or grommet location.

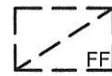


- Furniture to accommodate specialty keyboard tray and arm as per following specification: ISE, model: Leader 4 combo with 27" Skate platform with wrist rest.

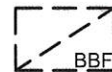


- Credenza surface to be able to accommodate a 2-drawer filing cabinet (NIC).

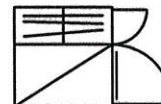
Freestanding Components:



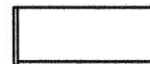
- 610mm (24") x 381mm (15")
- File/file mobile pedestal
- Pedestal to lock; finished on all sides



- 610mm (24") x 381mm (15")
- Box/box file mobile pedestal
- Pedestal to lock; finished on all sides



- 610mm (24") x 610mm (24")
- Personal storage tower c/w 2 doors, 2 large file drawers (325mm), one coat rod, lock & keys.

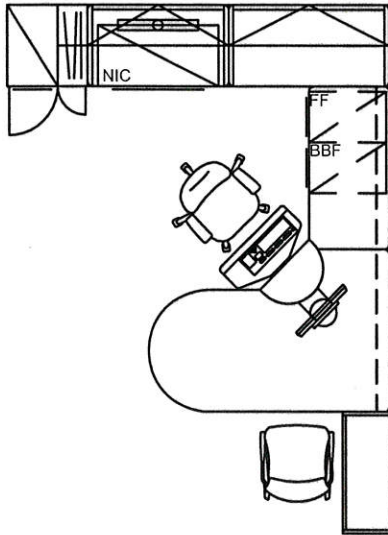


- 914mm (36") x 356mm (14") x 1613mm (63-1/2")
- Bookcase complete with three (3) adjustable shelf

Freestanding Plastic Laminate Furniture Component Typical Layouts

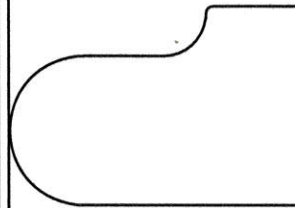
Workstation: 11m² / 120ft²-pi² - WSTN-03 - Piano Top Right (Rooms 020a, 215b and M9a)

Furniture Plan

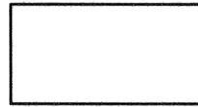


Furniture Components

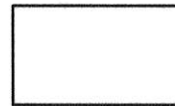
Item: Description:



- 1830mm (72") x 1220mm (48") x 914mm (36")
- Piano-top work surface c/w 254mm (10") stretcher/modesty panel and 127mm (5") dia. black metal post leg.



- 1220mm (48") x 610mm (24")
- Work surface

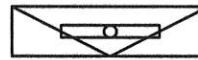


- 1066mm (42") x 610mm (24")
- Work surface



1200mm (48")

- ~~1067mm (42")~~ x 304mm (12") or to be of a depth to accommodate a regular binder.
- Overhead storage to lock



1067mm (42")

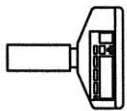
- ~~1200mm (48")~~ x 304mm (12") or to be of a depth to accommodate a regular binder.
- Overhead storage bin with a task light beneath
- Overhead storage to lock

General Notes:

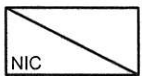
Item: Description:



- Wire management mounted to underside and/or rear of worksurface. Wire management to accommodate surge protection bar (8 receptacles) that is ULC listed and meets all applicable codes. Basket installation location should not interfere with pedestal, file, or grommet location.

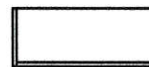


- Furniture to accommodate specialty keyboard tray and arm as per following specification: ISE, model: Leader 4 combo with 27" Skate platform with wrist rest.

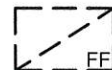


- Credenza surface to be able to accommodate a 2-drawer filing cabinet (NIC).

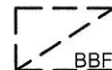
Freestanding Components:



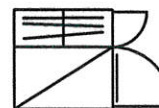
- 914mm (36") x 356mm (14") x 1613mm (63-1/2")
- Bookcase complete with three (3) adjustable shelf



- 610mm (24") x 381mm (15")
- File/file mobile pedestal
- Pedestal to lock; finished on all sides



- 610mm (24") x 381mm (15")
- Box/box file mobile pedestal
- Pedestal to lock; finished on all sides

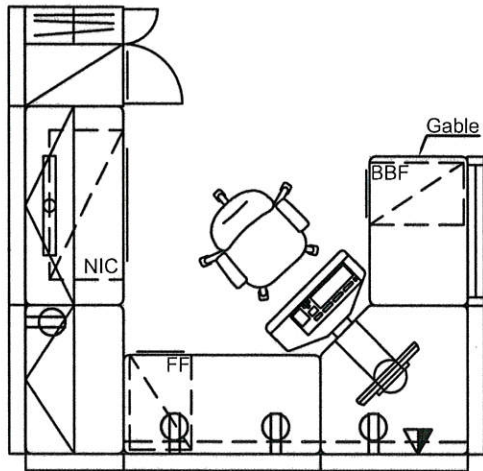


- 610mm (24") x 610mm (24")
- Personal storage tower c/w 2 doors, 2 large file drawers (325mm), one coat rod, lock & keys.

Panel Hung Plastic Laminate Furniture Component Typical Layouts

Workstation: 8.3m² / 90ft²-pi² - WSTN-06 (Room 020 and 0033)

Furniture Plan

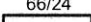
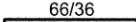
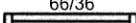
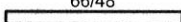


Furniture Components


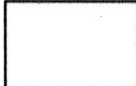
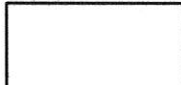


Item: Description:

Workstation Components:


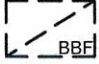

Panels:

	- 610mm (24") wide x 1676mm (66") high panel
	- 914mm (36") wide x 1676mm (66") high panel
	- 914mm (36") wide x 1676mm (66") high panel - 381-610mm (15-24") high glazed add-on at position
	- 1220mm (48") wide x 1676mm (66") high panel

Panel Hung Components:


	- 914mm (36") x 914mm (36") - Corner work surface
	- 914mm (36") x 610mm (24") - Work surfaces
	- 1219mm (48") x 610mm (24") - Work surfaces
	- 914mm (36") x 304mm (12") or to be of a depth to accommodate a regular binder. - Overhead storage bin - Overhead storage to lock
	- 1219mm (48") x 304mm (12") or to be of a depth to accommodate a regular binder. - Overhead storage bin with a task light beneath - Overhead storage to lock

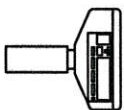
Freestanding Components:

	- 610mm (24") x 381mm (15") - File/file mobile pedestal - Pedestal to lock; finished on all sides
	- 610mm (24") x 381mm (15") - Box/box file mobile pedestal - Pedestal to lock; finished on all sides
	- 610mm (24") x 610mm (24") - Personal storage tower c/w 2 doors, 2 large file drawers (325mm), one coat rod, lock & keys.

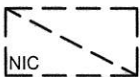
General Notes:

Item: Description:

 - Wire management mounted to underside and/or rear of worksurface. Wire management to accommodate surge protection bar (8 receptacles) that is ULC listed and meets all applicable codes. Basket installation location should not interfere with pedestal, file, or grommet location.



- Furniture to accommodate specialty keyboard tray and arm as per following specification: ISE, model: Leader 4 combo with 27" Skate platform with wrist rest.



- Credenza surface to be panel-hung and able to accommodate a 2-drawer filing cabinet (NIC).

Electrical Components:

All duplex and voice/data receptacles to be at workstation height and integrated in the panel system.

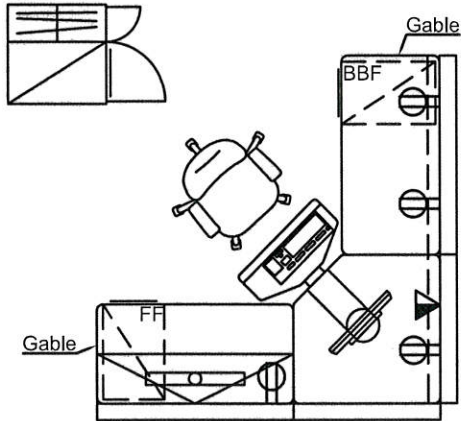
 - Duplex Receptacle

 - Voice/Data Receptacle

Panel Hung Plastic Laminate Furniture Component Typical Layouts

Workstation: 7.5m² / 80ft²-pi² - WSNT-07 (Room 057)

Furniture Plan



Furniture Components

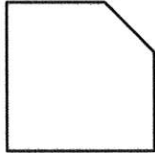
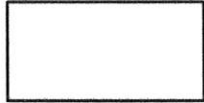
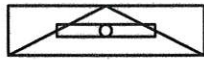
Item: Description:

Workstation Components:




Panels:

	- 914mm (36") wide x 1676mm (66") high panel
	- 1220mm (48") wide x 1676mm (66") high panel

Panel Hung Components:

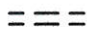
	- 914mm (36") x 914mm (36") - Corner work surface
	- 1219mm (48") x 610mm (24") - Work surfaces
	- 1200mm (48") x 304mm (12") or to be of a depth to accommodate a regular binder. - Overhead storage bin with a task light beneath - Overhead storage to lock

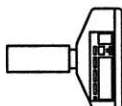
Freestanding Components:

	- 610mm (24") x 381mm (15") - File/file mobile pedestal - Pedestal to lock; finished on all sides
	- 610mm (24") x 381mm (15") - Box/box file mobile pedestal - Pedestal to lock; finished on all sides
	- 610mm (24") x 610mm (24") - Personal storage tower c/w 2 doors, 2 large file drawers (325mm), one coat rod, lock & keys.

General Notes:

Item: Description:

 - Wire management mounted to underside and/or rear of worksurface. Wire management to accommodate surge protection bar (8 receptacles) that is ULC listed and meets all applicable codes. Basket installation location should not interfere with pedestal, file or grommet location.

 - Furniture to accommodate specialty keyboard tray and arm as per following specification: ISE, model: Leader 4 combo with 27" Skate platform with wrist rest.

Electrical Components:

All duplex and voice/data receptacles to be at workstation height and integrated in the panel system.

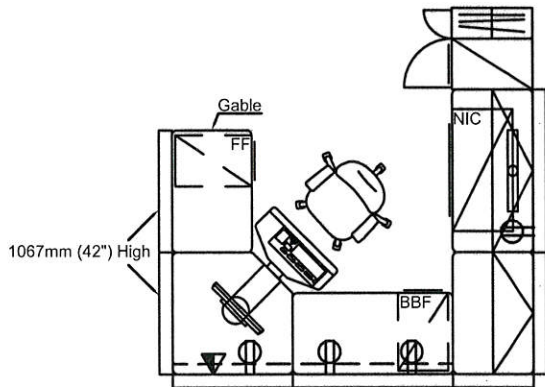
 - Duplex Receptacle

 - Voice/Data Receptacle

Panel Hung Plastic-Laminate Furniture Component Typical Layouts

Workstation: 11m² / 120ft²-pi² - WSTN-08 (Room 056)

Furniture Plan



Furniture Components

Item: Description:

Workstation Components:

Item:	Description:
66/24	- 610mm (24") wide x 1676mm (66") high panel
66/36	- 914mm (36") wide x 1676mm (66") high panel
66/36	- 914mm (36") wide x 1067mm (42") high panel
66/48	- 1220mm (48") wide x 1676mm (66") high panel
66/48	- 1220mm (48") wide x 1676mm (66") high panel

Panel Hung Components:

	- 914mm (36") x 914mm (36") - Corner work surface
	- 914mm (36") x 610mm (24") - Work surfaces
	- 1219mm (48") x 610mm (24") - Work surfaces
	- 914mm (36") x 304mm (12") or to be of a depth to accommodate a regular binder. - Overhead storage bin - Overhead storage to lock
	- 1219mm (48") x 304mm (12") or to be of a depth to accommodate a regular binder. - Overhead storage bin with a task light beneath - Overhead storage to lock

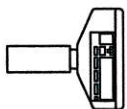
Freestanding Components:

	- 610mm (24") x 381mm (15") - File/file mobile pedestal - Pedestal to lock; finished on all sides
	- 610mm (24") x 381mm (15") - Box/box file mobile pedestal - Pedestal to lock; finished on all sides
	- 610mm (24") x 610mm (24") - Personal storage tower c/w 2 doors, 2 large file drawers (325mm), one coat rod, lock & keys.

General Notes:

Item: Description:

- Wire management mounted to underside and/or rear of worksurface. Wire management to accommodate surge protection bar (8 receptacles) that is ULC listed and meets all applicable codes. Basket installation location should not interfere with pedestal, file, or grommet location.



- Furniture to accommodate specialty keyboard tray and arm as per following specification: ISE, model: Leader 4 combo with 27" Skate platform with wrist rest.

- Credenza surface to be panel-hung and able to accommodate a 2-drawer filing cabinet (NIC).

Electrical Components:

All duplex and voice/data receptacles to be at workstation height and integrated in the panel system.

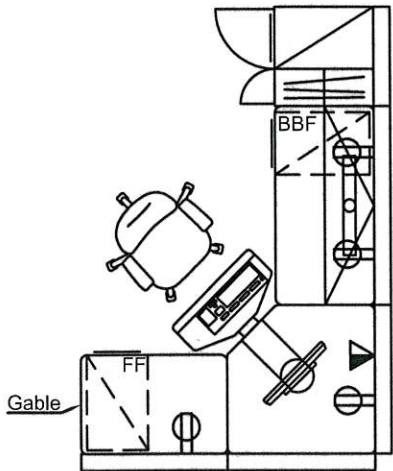
- Duplex Receptacle

- Voice and Data communications outlet.

Panel Hung Plastic Laminate Furniture Component Typical Layouts

Workstation: 7.5m² / 80ft²-pi² - WSTN-09 (Rooms M19 and 080)

Furniture Plan

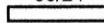
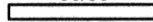
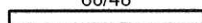


Furniture Components

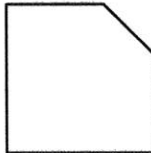
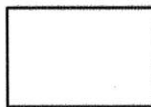
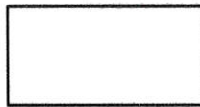
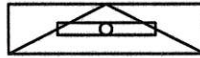
Item: Description:

Workstation Components:

Panels:

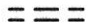
	66/24	- 610mm (24") wide x 1676mm (66") high panel
	66/36	- 914mm (36") wide x 1676mm (66") high panel
	66/48	- 1220mm (48") wide x 1676mm (66") high panel

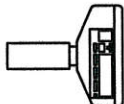
Panel Hung Components:

	- 914mm (36") x 914mm (36") - Corner work surface
	- 914mm (36") x 610mm (24") - Work surface
	- 1220mm (48") x 610mm (24") - Work surface
	- 1200mm (48") x 304mm (12") or to be of a depth to accommodate a regular binder. - Overhead storage bin with a task light beneath - Overhead storage to lock

General Notes:

Item: Description:

 - Wire management mounted to underside and/or rear of worksurface. Wire management to accommodate surge protection bar (8 receptacles) that is ULC listed and meets all applicable codes. Basket installation location should not interfere with pedestal, file or grommet location.

 - Furniture to accommodate specialty keyboard tray and arm as per following specification: ISE, model: Leader 4 combo with 27" Skate platform with wrist rest.

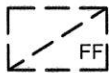

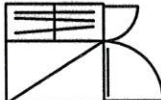
Electrical Components:

All duplex and voice/data receptacles to be at workstation height and integrated in the panel system.

 - Duplex Receptacle

 - Voice/Data Receptacle

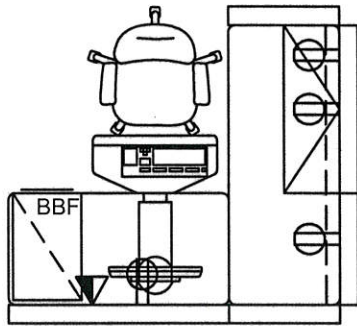
Freestanding Components:

	- 610mm (24") x 381mm (15") - File/file mobile pedestal - Pedestal to lock; finished on all sides
	- 610mm (24") x 381mm (15") - Box/box file mobile pedestal - Pedestal to lock; finished on all sides
	- 610mm (24") x 610mm (24") - Personal storage tower c/w 2 doors, 2 large file drawers (325mm), one coat rod, lock & keys.

Panel Hung Plastic Laminate Furniture Component Typical Layouts

Workstation: 4.3m² / 36ft²-pi² - WSTN-10 (Room M17)

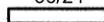
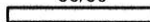
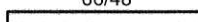
Furniture Plan



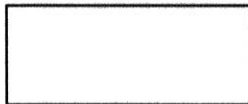
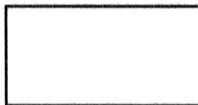

Furniture Components

Item: Description:


Workstation Components:

66/24 	- 610mm (24") wide x 1676mm (66") high panels
66/36 	- 914mm (36") wide x 1676mm (66") high panels
66/48 	- 1219mm (48") wide x 1676mm (66") high panels

Panel Hung Components:

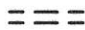
	- 1524mm (60") x 610mm (24") - Work surface
	- 1219mm (48") x 610mm (24") - Work surface
	- 914mm (36") x 304mm (12") or to be of a depth to accommodate a regular binder. - Overhead storage bins - Overhead storage to lock

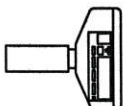
Freestanding Components:

	- 610mm (24") x 381mm (15") - Box/box/file mobile pedestal - Pedestal to lock; finished on all sides
--	--

General Notes:



Item: Description:

 - Wire management mounted to underside and/or rear of worksurface. Wire management to accommodate surge protection bar (8 receptacles) that is ULC listed and meets all applicable codes. Basket installation location should not interfere with pedestal, file, or grommet location.

 - Furniture to accommodate specialty keyboard tray and arm as per following specification: ISE, model: Leader 4 combo with 27" Skate platform with wrist rest.

Electrical Components:

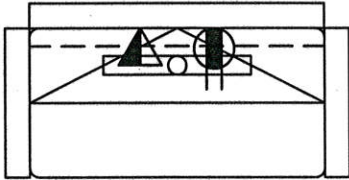
All duplex and voice/data receptacles to be at workstation height and integrated in the panel system.

-  - Duplex Receptacle
-  - Voice/Data Receptacle

Panel Hung Plastic-Laminate Furniture Component Typical Layouts

Workstation/ Print station - WSTN-11 (Room 057)

Furniture Plan



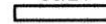
Furniture Components

Item:	Description:
-------	--------------

Workstation Components:

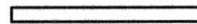
Panels:

66/24



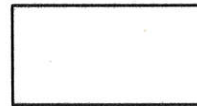
- 610mm (24") wide
x 1676mm (66") high panel

66/48

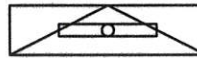


- 1219mm (48") wide
x 1676mm (66") high panel

Panel Hung Components:



- 1219mm (36") x 610mm (24")
- Work surface



- 1219mm (48") x 304mm (12") or
to be of a depth to accommodate
a regular binder.
- Overhead storage bin
with a task light beneath
- Overhead storage to lock


General Notes:

Item:	Description:
-------	--------------

== = - Wire management mounted to underside and/or rear of worksurface. Wire management to accommodate surge protection bar (8 receptacles) that is ULC listed and meets all applicable codes. Basket installation location should not interfere with pedestal, file, or grommet location.

Electrical Components:

All duplex and voice/data receptacles to be at workstation height and integrated in the panel system.

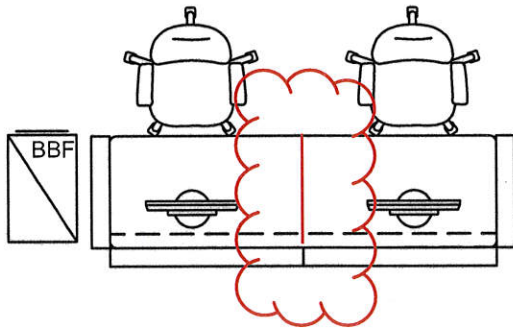
 - One Duplex Receptacle for computers (max. 3 per circuit)

 - One Voice/Data Receptacle

Panel Hung Plastic Laminate Furniture Component Typical Layout

Workstation / Training Console - WSTN-13 (Room 086)

Furniture Plan

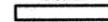


Furniture Components

Item: Description:

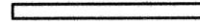
Workstation Components:

66/24



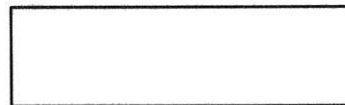
- 610mm (24") wide
x 1676mm (66") high panels
- Two panels + glass on upper
panels (3' high) (bulletproof film to
be applied).

66/42



-1067mm (42") wide
x 1676mm (66") high panels
- Panel + power + glass
on upper panels (3' high)
(bulletproof film to be applied)

Panel Hung Components:



-1067mm (42") x 610mm (24")
- Work surface

Freestanding Components:



- 610mm (24") x 381mm (15")
- Box/box/file mobile pedestal
- Pedestals to lock, finished
on all sides

General Notes:

Item: Description:

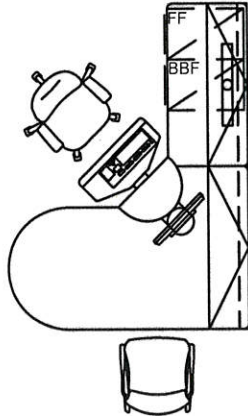


-Wire management mounted
to underside and/or rear of worksurface.
Wire management to accommodate surge
protection bar (8 receptacles) that is ULC
listed and meets all applicable codes.
Basket installation location should not
interfere with pedestal, file, or grommet
location.

Freestanding Plastic-Laminate Furniture Component Typical

Workstation: 11m² / 120ft²-pi² - WSTN-14 (Room 126)

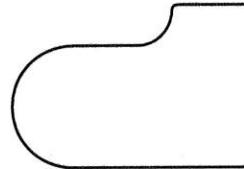
Furniture Plan



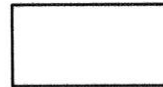
Furniture Components

Item:	Description:
-------	--------------

Panel Hung Components:



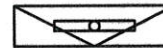
- 1830mm (72") x 1220mm (48") x 914mm (36")
- Piano-top work surface c/w 254mm (10") stretcher/modesty and 127mm (5") dia. black metal post leg.



- 1219mm (48") x 610mm (24")
- Work surface



- 1200mm (48") x 304mm (12") or to be of a depth to accommodate a regular binder.
- Overhead storage bin
- Overhead storage to lock



- 1200mm (48") x 304mm (12") or to be of a depth to accommodate a regular binder.
- Overhead storage bin with a task light beneath
- Overhead storage to lock

Freestanding Components:



- 610mm (24") x 381mm (15")
- File/file mobile pedestal
- Pedestal to lock; finished on all sides



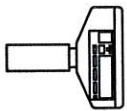
- 610mm (24") x 381mm (15")
- Box/box file mobile pedestal
- Pedestal to lock; finished on all sides

General Notes:

Item:	Description:
-------	--------------



- To provide wire management mounted to underside and/or rear of worksurface. Wire management to accommodate surge protection bar (8 receptacles) that is ULC listed and meets all applicable codes. Basket installation location should not interfere with pedestal, file, or grommet location.

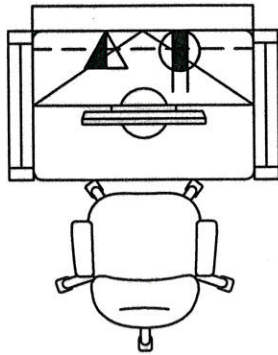


- Furniture to accommodate specialty keyboard tray and arm as per following specification: ISE, model: Leader 4 combo with 27" Skate platform with wrist rest.

Panel Hung Plastic Laminate Furniture Component Typical Layouts

Study Carrel - STUD-02 (Room 055a)

Furniture Plan



Furniture Components

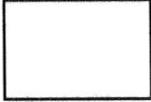
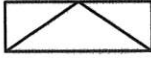
Item:	Description:
-------	--------------

Workstation Components:

Panels:

66/36 	- 914mm (36") wide x 1676mm (66") high panel
66/24 	- 610mm (24") wide x 1676mm (66") high panel - Panel complete with glazing

Panel Hung Components:



	- 914mm (36") x 610mm (24") - One work surface
	- 914mm (36") x 304mm (12") or to be of a depth to accommodate a regular binder. - One overhead storage bin - Overhead storage to lock

General Notes:

Item:	Description:
-------	--------------

- | | |
|-------|---|
| = = = | - Wire management mounted to underside and/or rear of worksurface. Wire management to accommodate surge protection bar (8 receptacles) that is ULC listed and meets all applicable codes. Basket installation location should not interfere with pedestal, file, or grommet location. |
|-------|---|

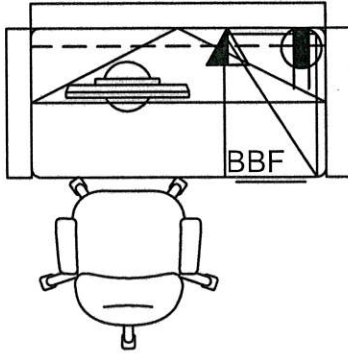
Electrical Components:

- | | |
|---|--|
|  | - Duplex Receptacle for computers (max. 3 per circuit) |
|  | - Voice and Data communications outlet |

Panel Hung Plastic-Laminate Furniture Component Typical Layouts

Study Carrel - STUD-03 (Rooms 0033, 0052, 022, 446, M9c)

Furniture Plan

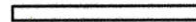


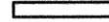
Furniture Components

Item:	Description:
-------	--------------

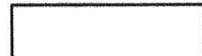
Workstation Components:


Panels:

	- 1220mm (48") wide x 1676mm (66") high panel
--	--

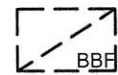
	- 610mm (24") wide x 1676mm (66") high panel
--	---

Panel Hung Components:

	- 1219mm (48") x 610mm (24") - Work surface
--	--

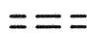
	- 1200mm (48") x 304mm (12") or to be of a depth to accommodate a regular binder. - Overhead storage bin - Overhead storage to lock
--	---

Freestanding Components:



	- 610mm (24") x 381mm (15") - Box/box/file mobile pedestal - Pedestal to lock; finished on all sides
--	--

General Notes:

Item:	Description:
-------	--------------

	- To provide wire management mounted to underside and/or rear of worksurface. Wire management to accommodate surge protection bar (8 receptacles) that is ULC listed and meets all applicable codes. Basket installation location should not interfere with pedestal, file, or grommet location.
---	--

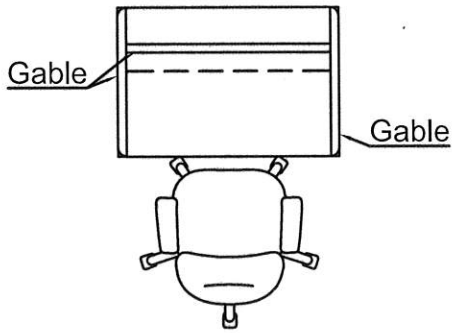
Electrical Components:

	- One Duplex Receptacle for computers (max. 3 per circuit)
	- One Voice and Data communications outlet.

Freestanding Plastic-Laminate Furniture Component Typical Layouts

Study Carrel - STUD-04 (Room 313a, 318a, 323a, 328a, 333a, 413a, 418a, 423a, 428a, 434a)

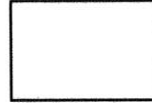
Furniture Plan



Furniture Components

Item:	Description:
-------	--------------

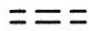
Freestanding Components:



- 914mm (36") x 610mm (24")
- Work surface

General Notes:

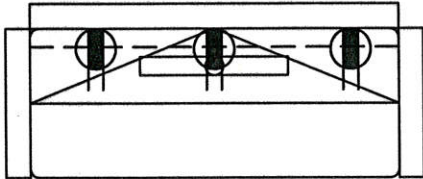
Item:	Description:
-------	--------------


 - Wire management mounted to underside and/or rear of worksurface. Wire management to accommodate surge protection bar (8 receptacles) that is ULC listed and meets all applicable codes. Basket installation location should not interfere with pedestal, file, or grommet location.

Panel Hung Plastic-Laminate Furniture Component Typical Layouts

Study Carrel - STUD-05 (Room 0050)

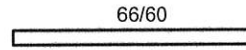
Furniture Plan



Furniture Components

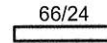
Item:	Description:
-------	--------------

Workstation Components:



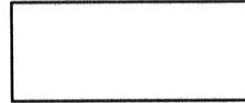
Panels:

1524mm (60")
- ~~1220mm (48")~~ wide
x 1676mm (66") high panel

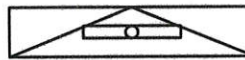


- 610mm (24") wide
x 1676mm (66") high panel

Panel Hung Components:



- 1524mm (60") x 610mm (24")
- Work surface




1524mm (60")
- ~~1200mm (48")~~ x 304mm (12") or
to be of a depth to accommodate
a regular binder.
- Overhead storage bin
w/ underside task light
- Overhead storage to lock

General Notes:

Item:	Description:
-------	--------------

== - Wire management mounted
to underside and/or rear of worksurface.
Wire management to accommodate surge
protection bar (8 receptacles) that is ULC
listed and meets all applicable codes.
Basket installation location should not
interfere with pedestal, file, or grommet
location.

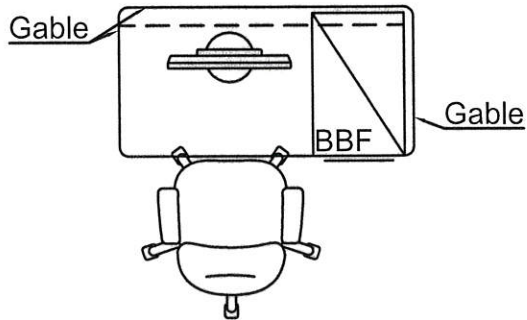
Electrical Components:

 - Three Duplex Receptacle for computers
(max. 3 per circuit)

Freestanding Plastic-Laminate Furniture Component Typical Layouts

Study Carrel - STUD-06 (Rooms 0048, 0067)

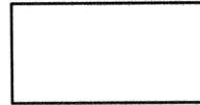
Furniture Plan



Furniture Components

Item:	Description:
-------	--------------

Freestanding Components:



- 1219mm (48") x 610mm (24")
- Work surface



- 610mm (24") x 381mm (15")
- Box/box/file mobile pedestal
- Pedestal to lock; finished on all sides

General Notes:

Item:	Description:
-------	--------------

≡ ≡ ≡ - To provide wire management mounted to underside and/or rear of worksurface. Wire management to accommodate surge protection bar (8 receptacles) that is ULC listed and meets all applicable codes. Basket installation location should not interfere with pedestal, file, or grommet location.