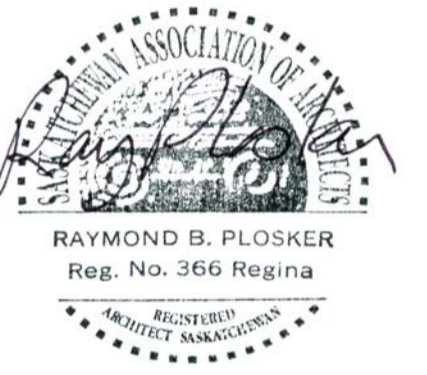


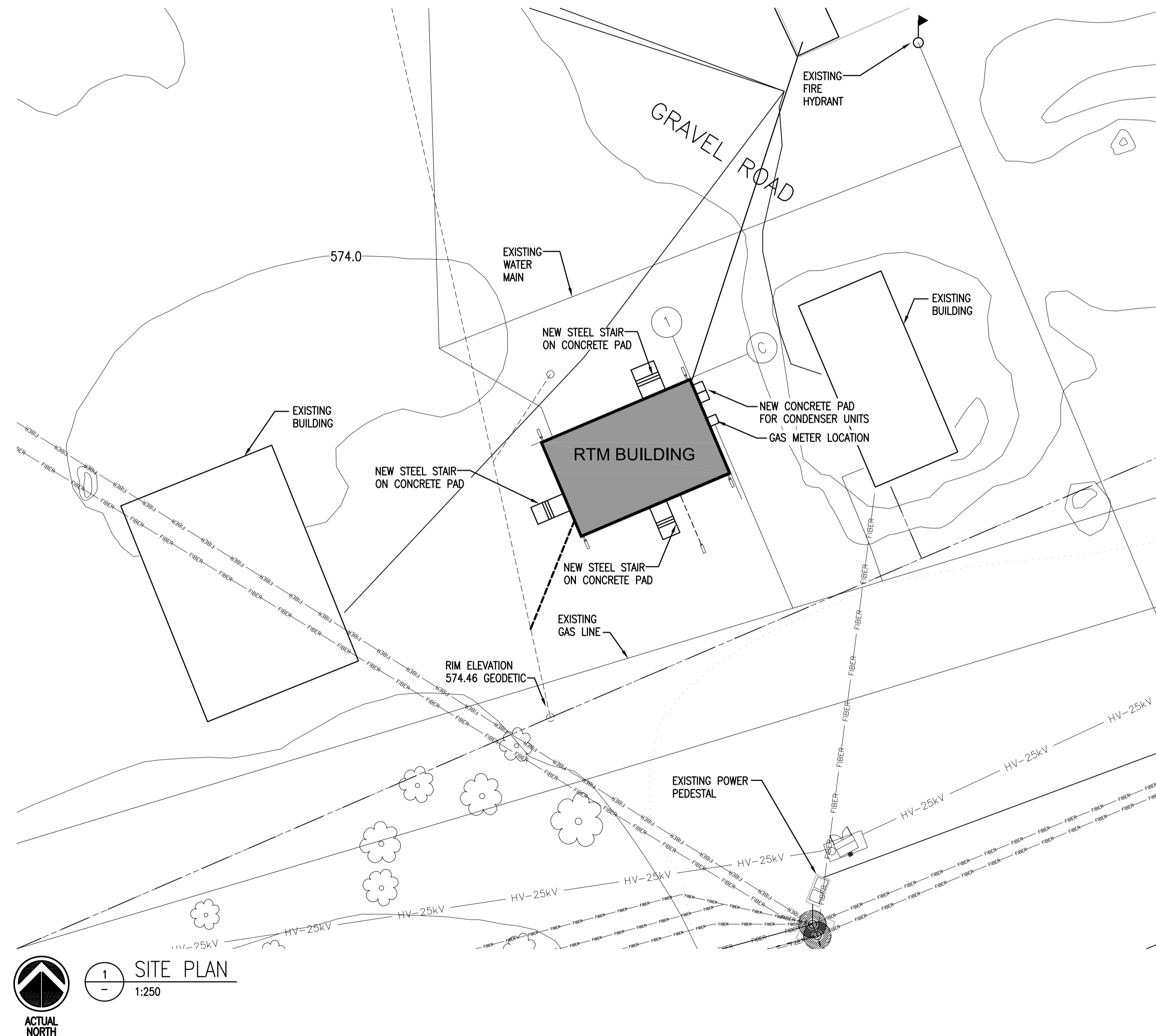
RTM TRANSPORT STAFF BUILDING RENOVATION PACKAGE



SYMBOL SCHEDULE		
BUILDING SECTION DETAIL NUMBER PAGE ON WHICH SECTION IS SHOWN	WALL/PARTITION/ ROOF CONSTRUCTION TYPE W1 P1 R1 DOOR NUMBER 	ROOM NUMBERS WINDOW TYPE
WALL SECTION DETAIL NUMBER PAGE ON WHICH SECTION IS SHOWN	CONSTRUCTION NOTE 	INTERIOR ELEVATION DETAIL NUMBER PAGE ON WHICH ELEVATION IS SHOWN ELEVATION NUMBER 1 2 3
DETAIL DETAIL NUMBER PAGE ON WHICH DETAIL IS SHOWN	TITLE PAGE ON WHICH SECTION IS REFERENCED FROM	ELEVATION REFERENCE T/O SLAB ELEV. 100 000 ARCHITECTURAL REFERENCE
GRID REFERENCE 1 A	NORTH ARROW NORTH	

ABBREVIATIONS	
A.F.F.	ABOVE FINISHED FLOOR
ALUM.	ALUMINUM
BD.	BOARD
COL.	COLUMN
CONC.	CONCRETE
CORR.	CORRIDOR
C/W	COMPLETE WITH
DEMO.	DEMOLITION
DEPT.	DEPARTMENT
D.F.	DRINKING FOUNTAIN
DTL.	DETAIL
ELEC.	ELECTRICAL
E.W.	EACH WAY
EQ.	EQUAL
H.S.S.	HOLLOW STRUCTURAL STEEL
HORIZ.	HORIZONTAL
INSUL.	INSULATION
MAX.	MAXIMUM
MECH.	MECHANICAL
MIN.	MINIMUM
N.I.C.	NOT IN CONTRACT
N.T.S.	NOT TO SCALE
O.C.	ON CENTER
O.S.B.	ORIENTED STRAND BOARD
PT	PAINT
REV.	REVERSE
R.T.	RESILIENT FLOORING
S.A.P.	SOUND ABSORPTIVE PANEL
SIM.	SIMILAR
TB	TACKBOARD
TYP.	TYPICAL
VERT.	VERTICAL
VEST.	VESTIBULE
WASH.	WASHROOM
WB	WHITE BOARD
W.C.	WATER CLOSET

LIST OF DRAWINGS	
ARCHITECTURAL	
A0.1	SITE PLAN
A1.1	DEMOLITION PLAN, REFLECTED CEILING PLAN
A1.2	FLOOR PLAN (NEW)
A2.1	EXTERIOR ELEVATIONS
A2.2	INTERIOR ELEVATIONS
A2.3	MILLWORK DETAILS, DETAILS
A3.1	BUILDING SECTION, DETAILS
MECHANICAL	
M1.1	MECHANICAL EQUIPMENT SCHEDULE, CRAWLSPACE, MAIN FLOOR PLAN & MECHANICAL ROOM PLUMBING
M2.1	CRAWLSPACE, MAIN FLOOR PLAN & MECHANICAL ROOM VENTILATION
ELECTRICAL	
E1.1	LIGHTING DEMO PLAN & LIGHTING REVISED PLAN
E2.1	POWER AND SYSTEMS DEMO PLAN & POWER AND SYSTEMS REVISED PLAN
E3.1	PANEL SCHEMATIC
E4.1	SPECIFICATIONS
E5.1	SPECIFICATIONS



SITE PLAN
1:250
ACTUAL NORTH

GENERAL NOTE
 UNDERGROUND UTILITY LOCATIONS ARE TAKEN FROM OWNER'S REPORT DOCUMENTS. VERIFY ANY LOCATIONS PRIOR TO UNDERTAKING WORK.

DO NOT SCALE DRAWINGS

Revision/	Description/Description	Date/Date
5		
4		
3		
2		
1		
0	ISSUED FOR TENDER	2016-01-14

Client/client

Project title/Titre du projet
REGINA, SASKATCHEWAN

**RTM TRANSPORT
STAFF BUILDING
RENOVATION PACKAGE**

Approved by/Approve par

Designed by/Concept par

Drawn by/Desainé par
BS/RP

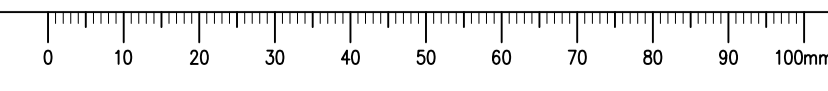
Project Manager/Administrateur de Projets
WH

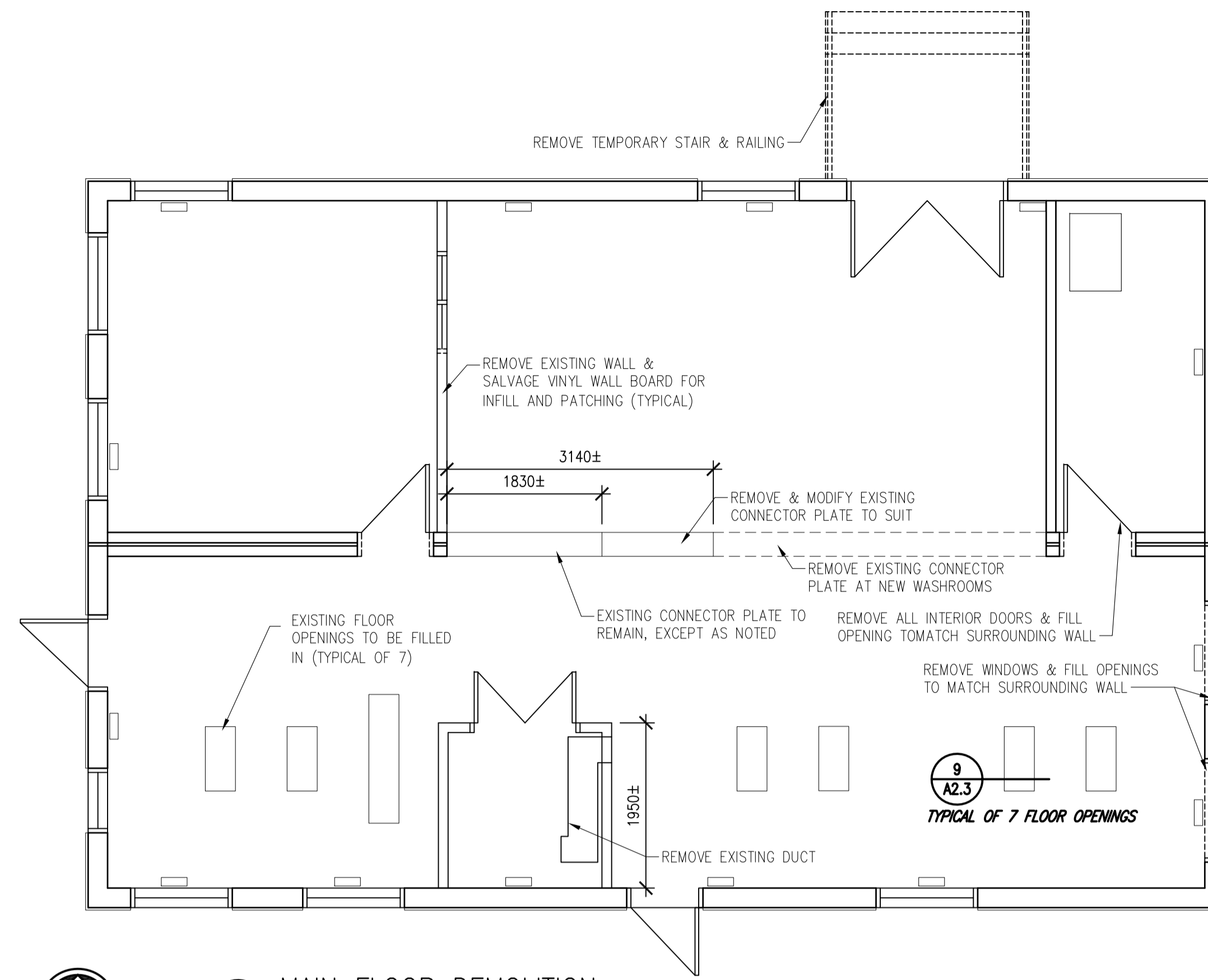
Architectural and Engineering Resources Manager/
Ressources Architectural et de Directeur d'ingénierie

Client/client

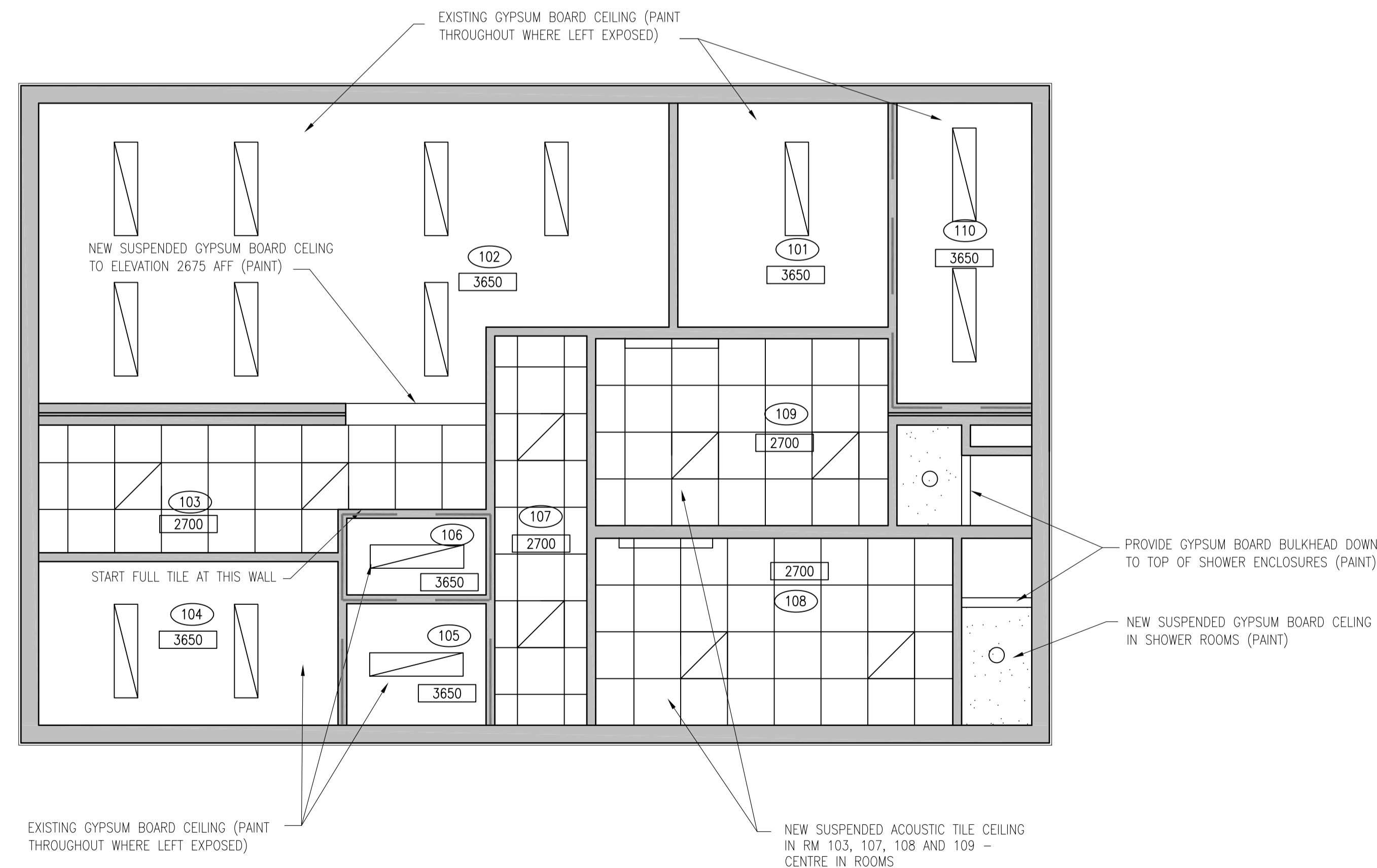
Drawing title/Titre du dessin
SITE PLAN

Project No./No. du projet	Sheet/Feuille	Revision no./La Révision no.
25/2015	A0.1	0





1 MAIN FLOOR DEMOLITION
A1.1 1:50



3 REFLECTED CEILING PLAN
A1.1 1:50

LEGEND	
	DOOR & FRAME TO BE REMOVED/RELOCATED
	RELOCATED DOOR & FRAME
	EXISTING DOOR & FRAME TO REMAIN
	NEW DOOR & FRAME
	PARTITION TO BE REMOVED
	EXISTING PARTITION
	NEW PARTITION
	1 HR FIRE SEPARATION



DO NOT SCALE DRAWINGS

5		
4		
3		
2		
1		
0	ISSUED FOR TENDER	2016-01-14

Revision/Revisión	Description/Description	Date/Date
Client/client		

Project Title/Titre du projet
REGINA, SASKATCHEWAN

**RTM TRANSPORT
STAFF BUILDING
RENOVATION PACKAGE**

Approved by/Approve par

Designed by/Concepé par

Drawn by/Dessiné par
BS/RP

Project Manager/Administrateur de Projets
WH

Architectural and Engineering Resources Manager/
Ressources Architectural et de Directeur d'ingénierie

Client/client

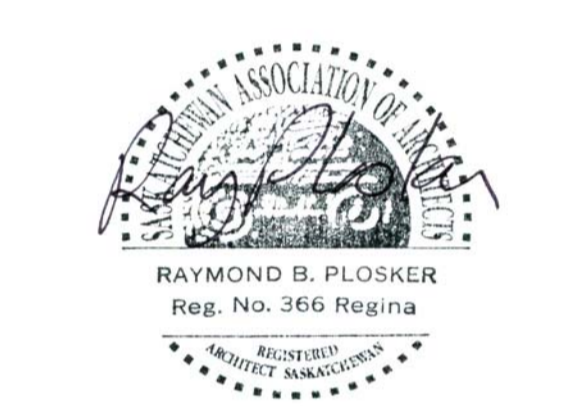
Drawing Title/Titre du dessin

DEMOLITION PLAN,

REFLECTED CEILING PLAN

Project No./No. du projet 25/2015	Sheet/Feuille A1.1	Revision no./La Révisión no. 0
--------------------------------------	-----------------------	-----------------------------------





DO NOT SCALE DRAWINGS

5		
4		
3		
2		
1		
0	ISSUED FOR TENDER	2016-01-14
Revision/	Description/Description	Date/Date
Client/client		

Project Title/Titre du projet
REGINA, SASKATCHEWAN

**RTM TRANSPORT
 STAFF BUILDING
 RENOVATION PACKAGE**

Approved by/Approve par

Designed by/Concept par

Drawn by/Dessine par
 BS/RP

Project Manager/Administrateur de Projets
 WH

Architectural and Engineering Resources Manager/
 Ressources Architectural et de Directeur d'ingénierie

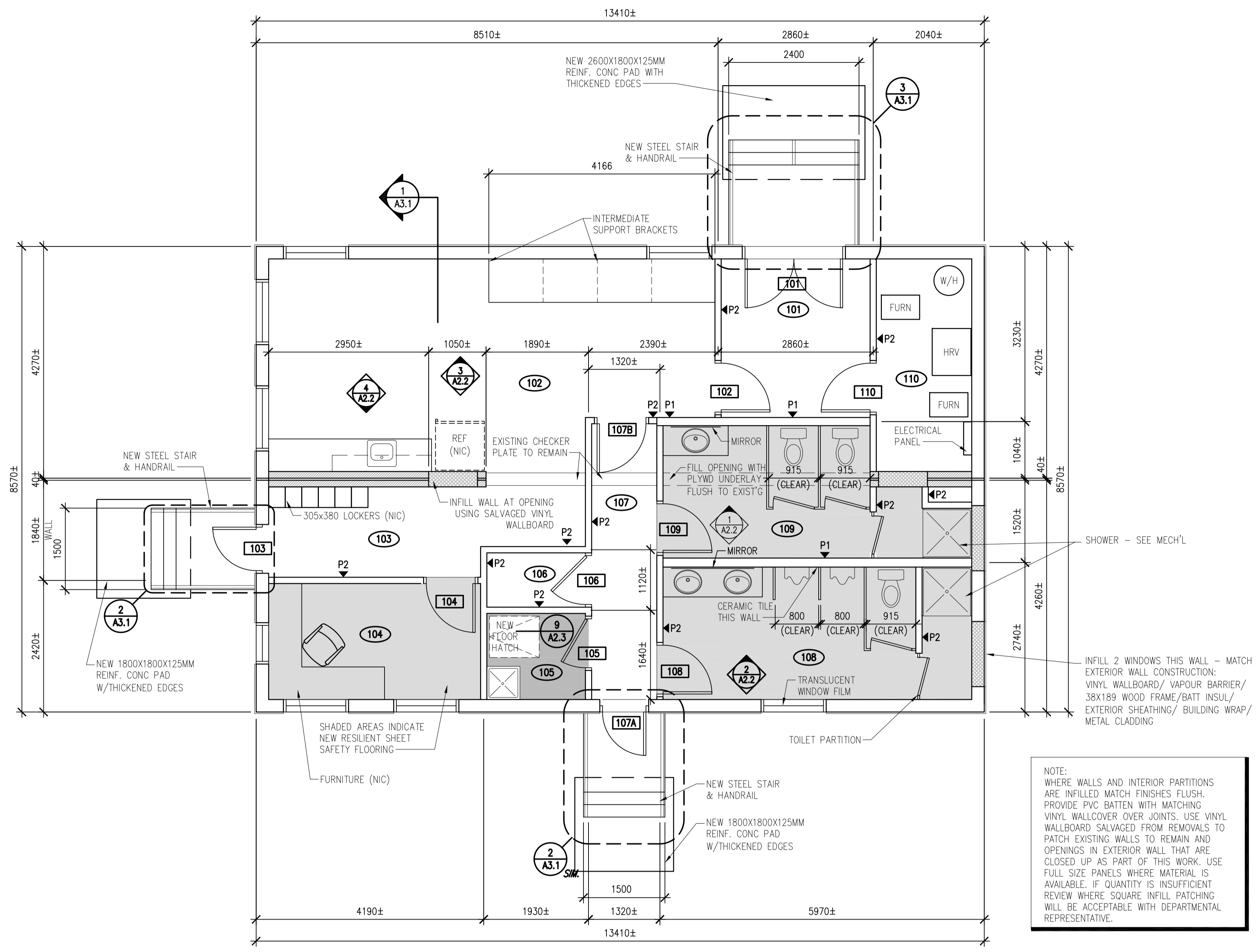
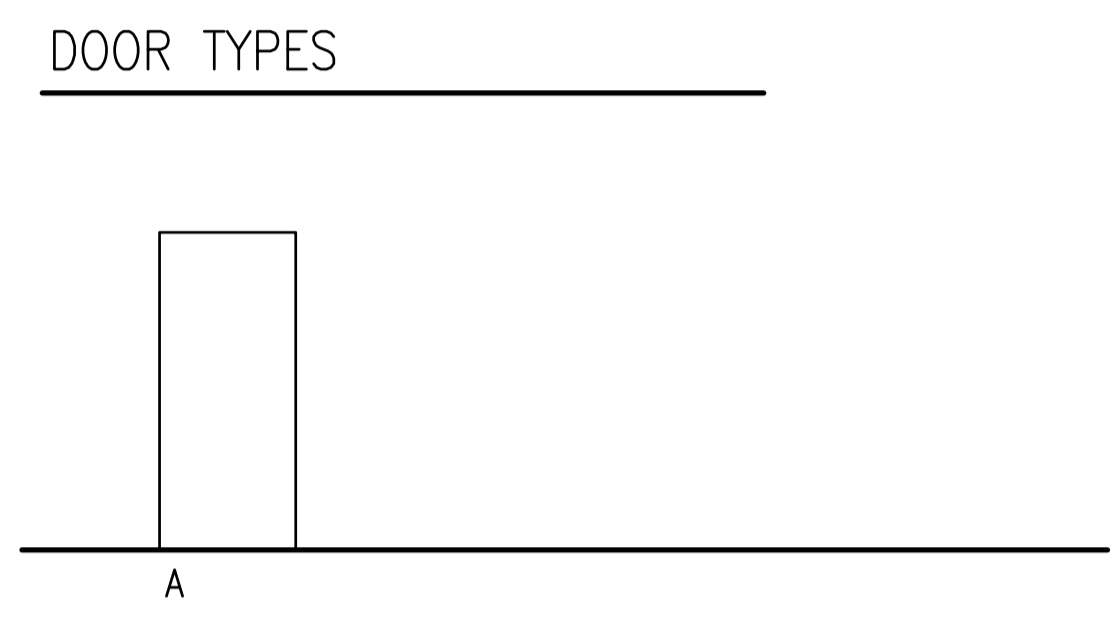
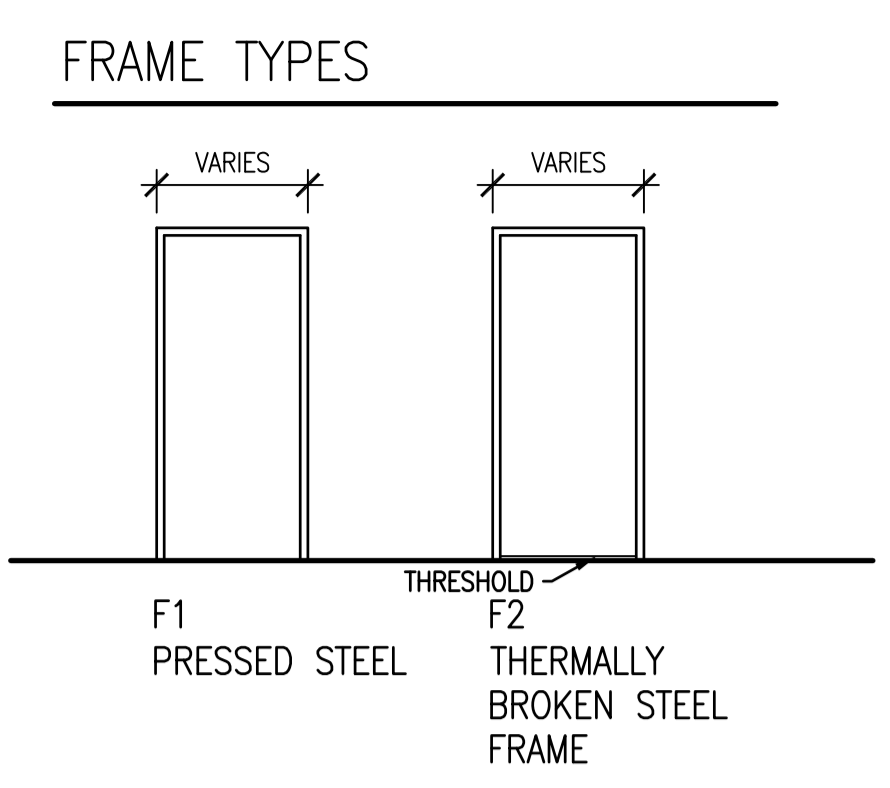
Client/client

Drawing Title/Titre du dessin
MAIN FLOOR PLAN (NEW)

Project No./No. du projet
25/2015

Sheet/Feuille
A1.2

Revision no./
 La Révision
 no.
0



2 MAIN FLOOR PLAN
 A1.2 1:50

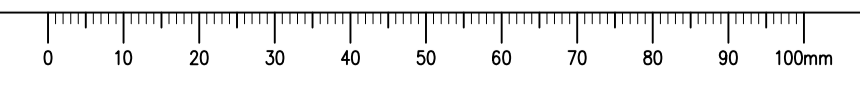
NORTH

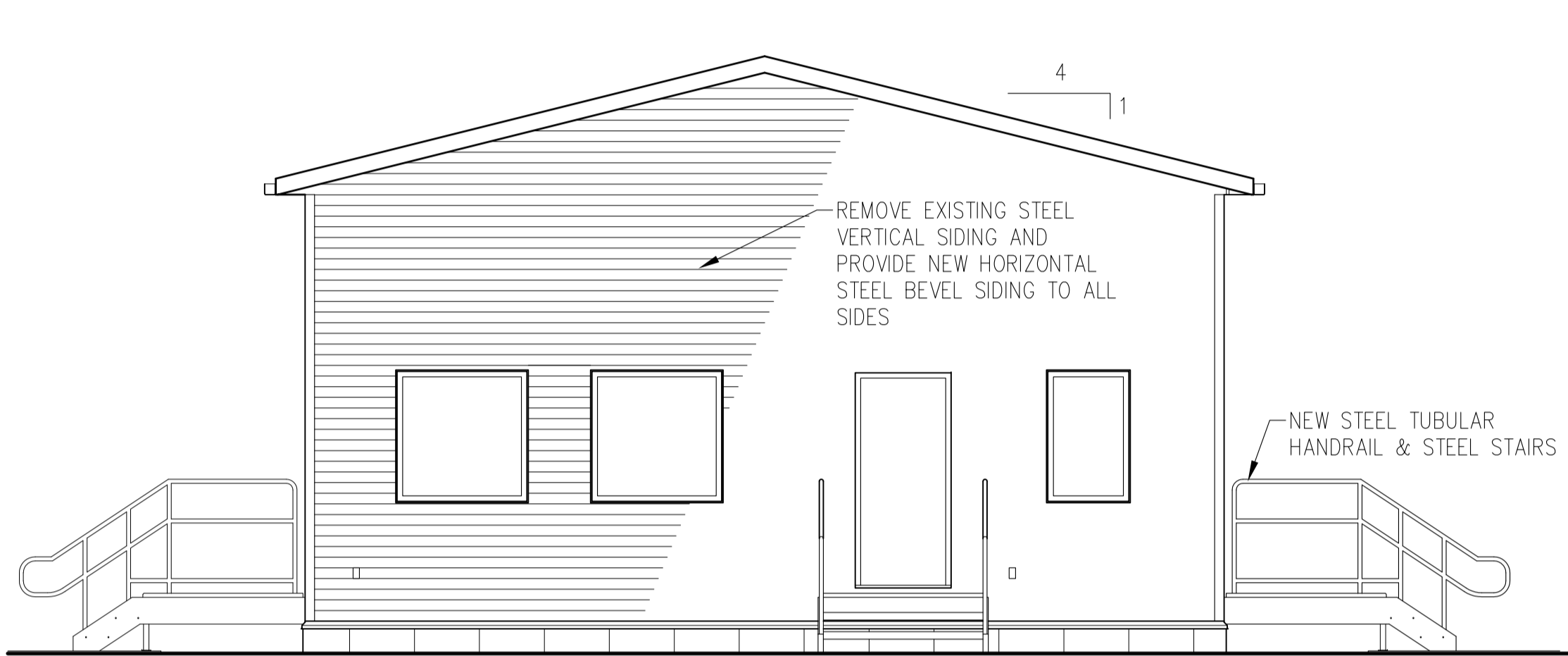
LEGEND

	DOOR & FRAME TO BE REMOVED/RELOCATED		PARTITION TO BE REMOVED
	RELOCATED DOOR & FRAME		EXISTING PARTITION
	EXISTING DOOR & FRAME TO REMAIN		INFILL TO MATCH PARTITION
	NEW DOOR & FRAME		NEW PARTITION
			1 HR FIRE SEPARATION

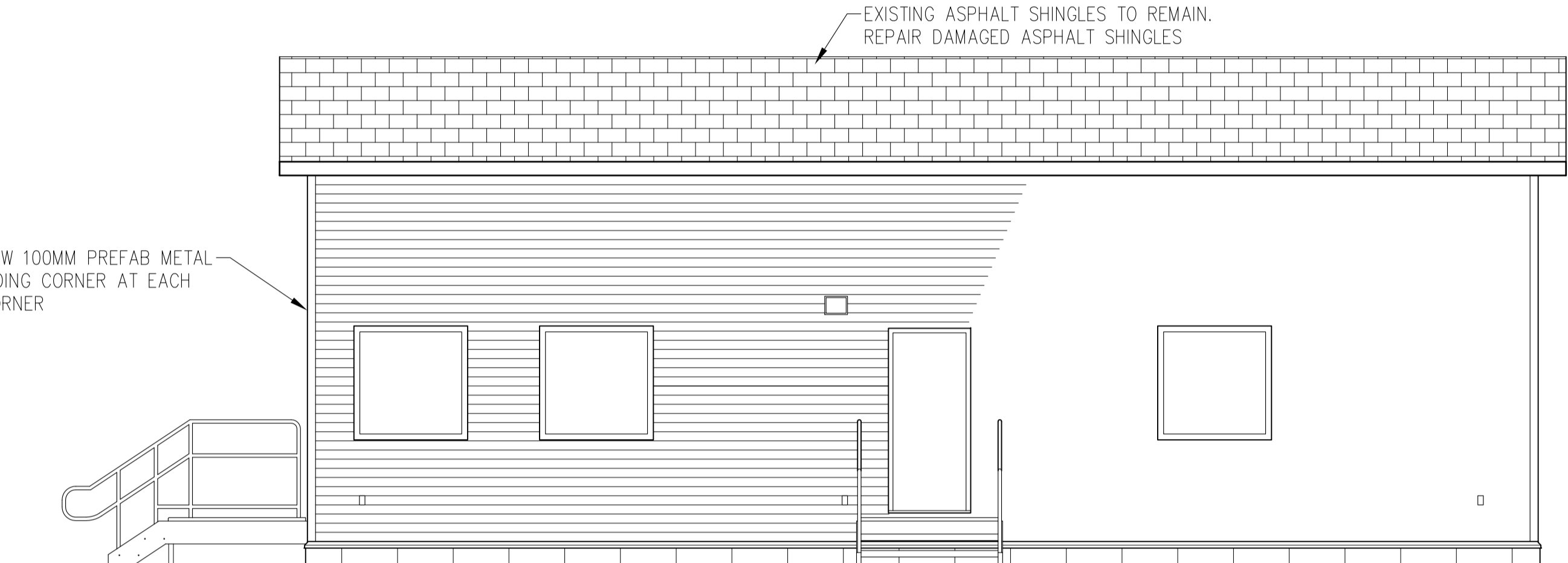
PARTITION SCHEDULE

		INDICATED THIS	PX▶
P1	FIN	16 TYPE 'X' GYPSUM BOARD (PAINT)	
	STUDS	38 x 140 WOOD STUDS @610 O.C.	
	INSUL	FILL CAVITY WITH BATT INSULATION	
	FIN	16 TYPE 'X' GYPSUM BOARD (PAINT)	
	ULC F/R	- STC -	
NOTES	T/O MAIN FLOOR TO U/S STRUCTURE.		
P2	FIN	16 TYPE 'X' GYPSUM BOARD (PAINT)	
	STUDS	38 X 89 WOOD STUDS @610 O.C.	
	INSUL	FILL CAVITY WITH BATT INSULATION	
	FIN	16 TYPE 'X' GYPSUM BOARD (PAINT)	
	ULC F/R	- STC -	
NOTES	T/O MAIN FLOOR TO U/S STRUCTURE.		

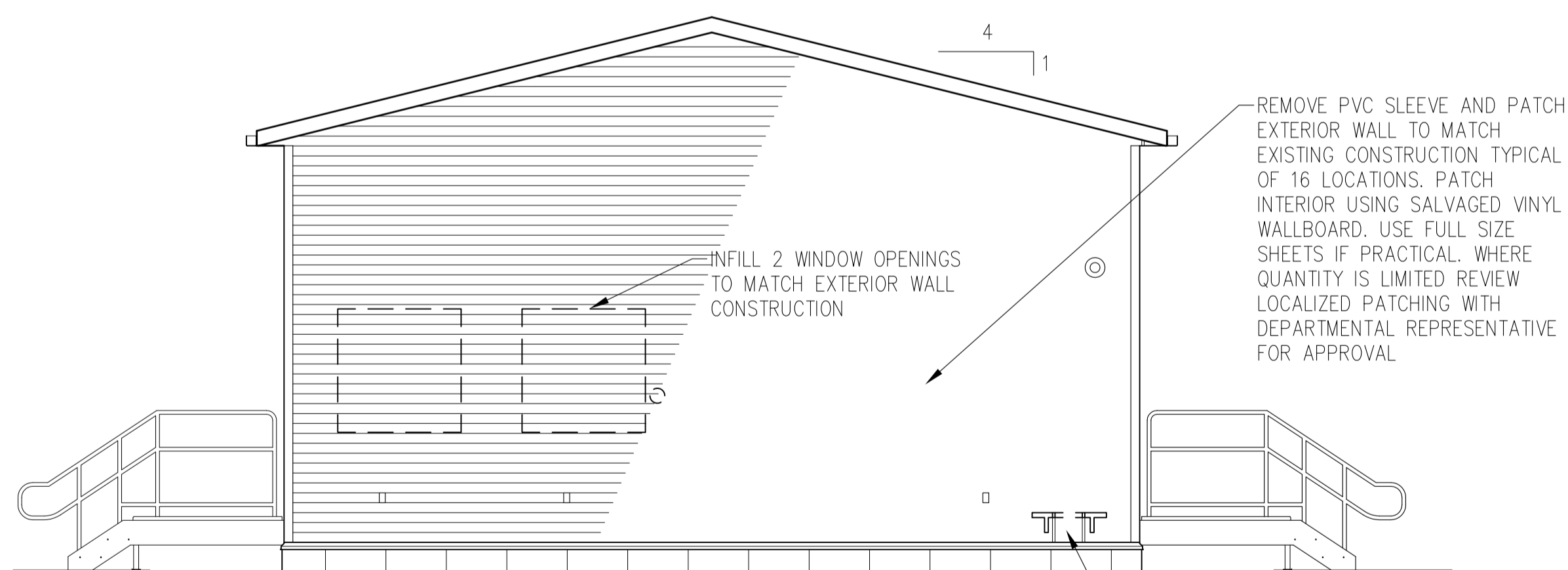




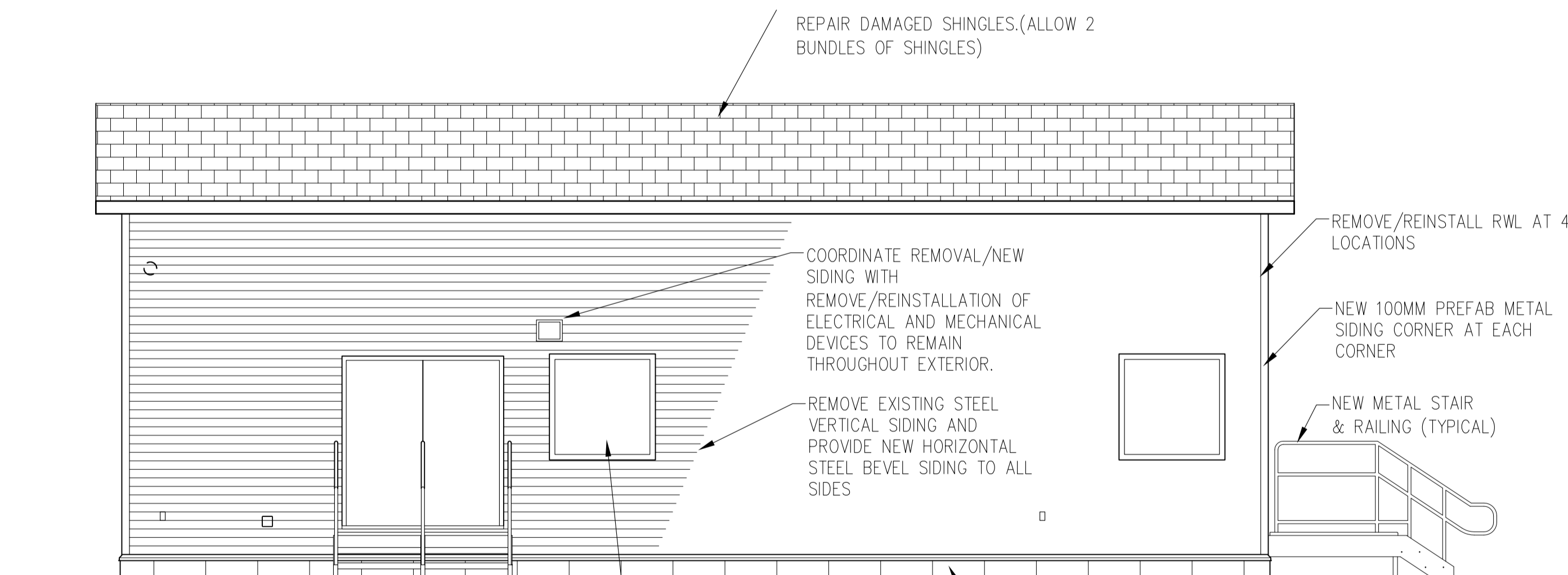
1 WEST ELEVATION
A2.1 1:50



2 SOUTH ELEVATION
A2.1 1:50



3 EAST ELEVATION
A2.1 1:50



4 NORTH ELEVATION
A2.1 1:50

DO NOT SCALE DRAWINGS

5		
4		
3		
2		
1		
0	ISSUED FOR TENDER	2016-01-14
Revision/	Description/Description	Date/Date
Client/client		

Project title/Titre du projet
REGINA, SASKATCHEWAN

**RTM TRANSPORT
STAFF BUILDING
RENOVATION PACKAGE**

Approved by/Approve par

Designed by/Concept par

Drawn by/Dessine par
BS/RP

Project Manager/Administrateur de Projets
WH

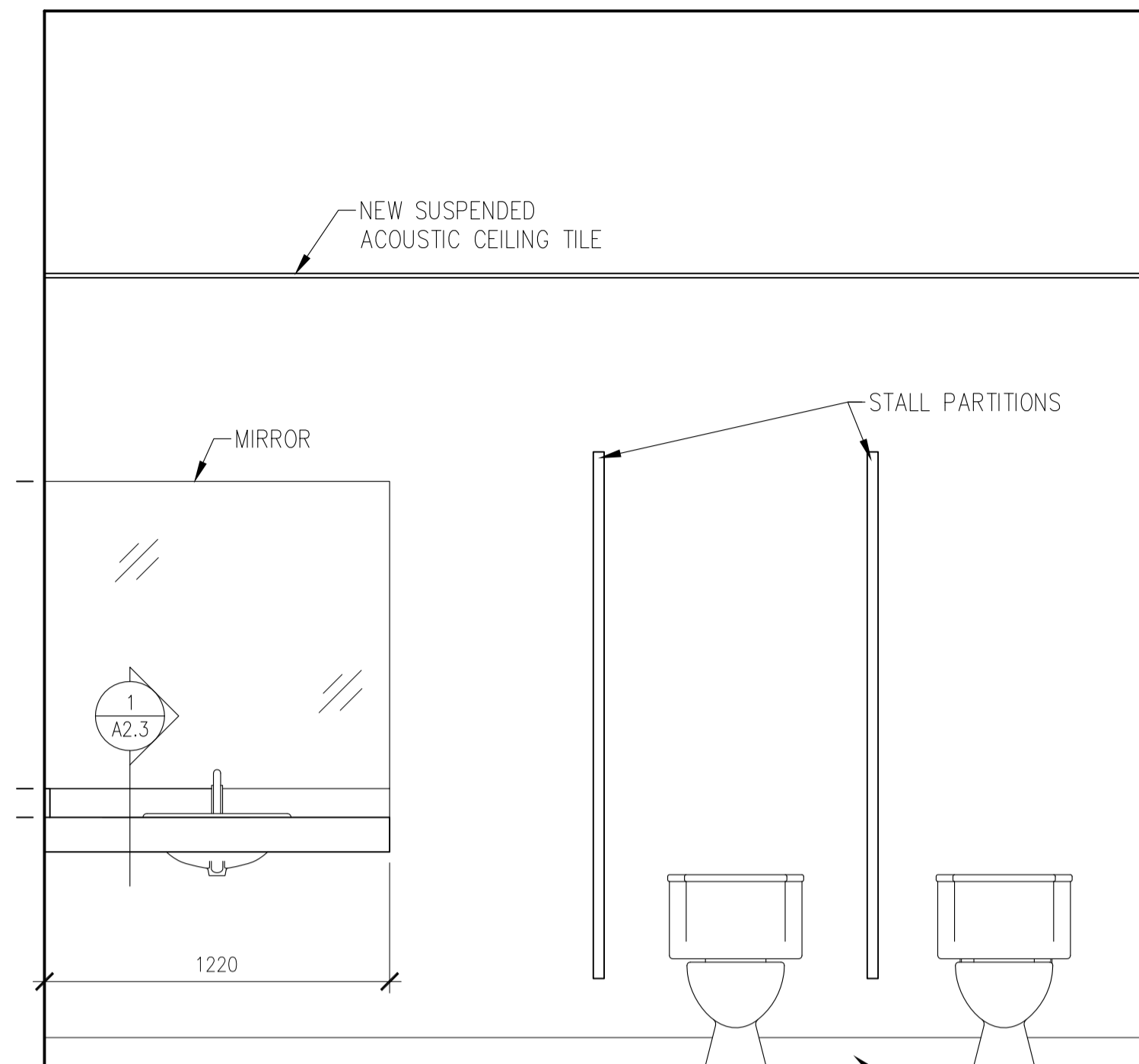
Architectural and Engineering Resources Manager/
Ressources Architectural et de Directeur d'ingénierie

Client/client

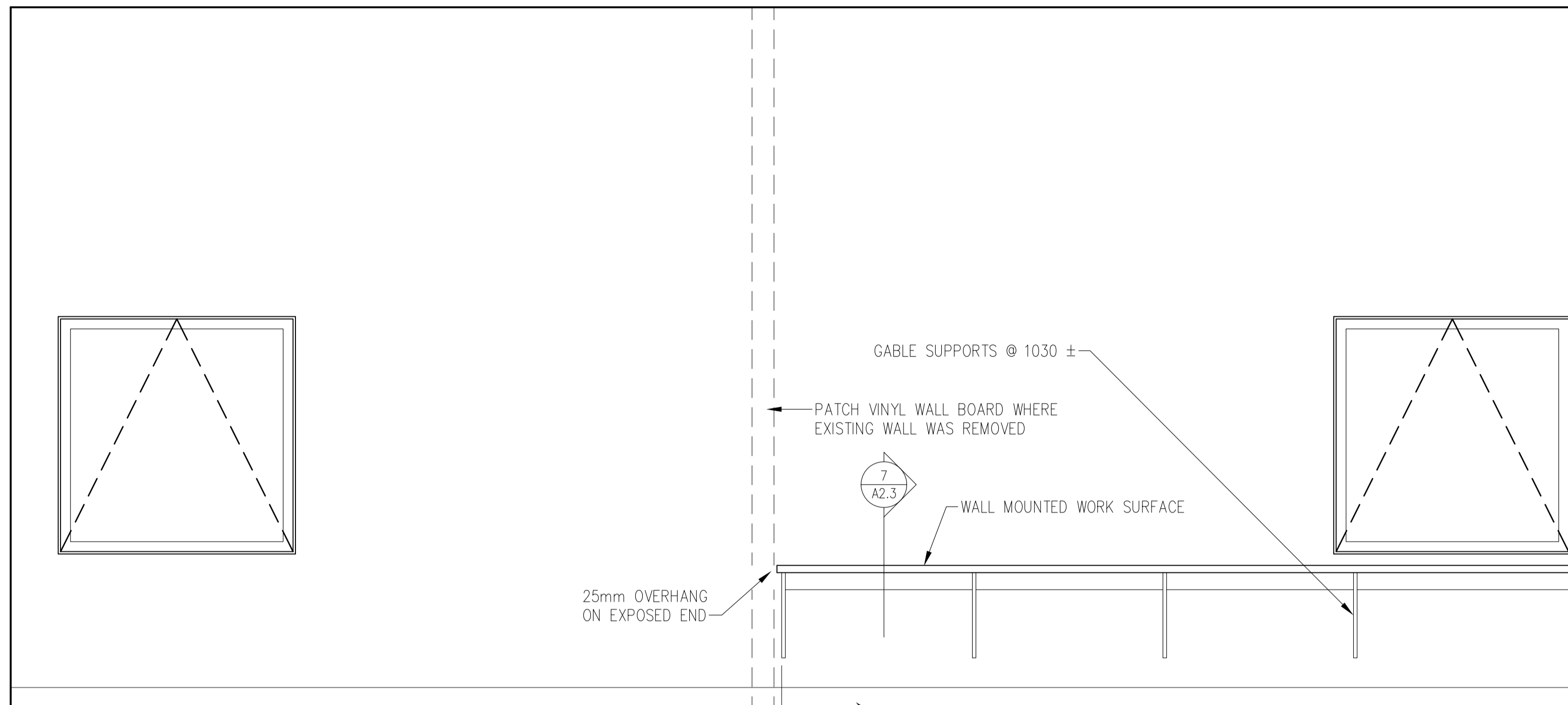
Drawing title/Titre du dessin
EXTERIOR ELEVATIONS

Project No./No. du projet	Sheet/Feuille	Revision no./La Révision no.
25/2015	A2.1	0

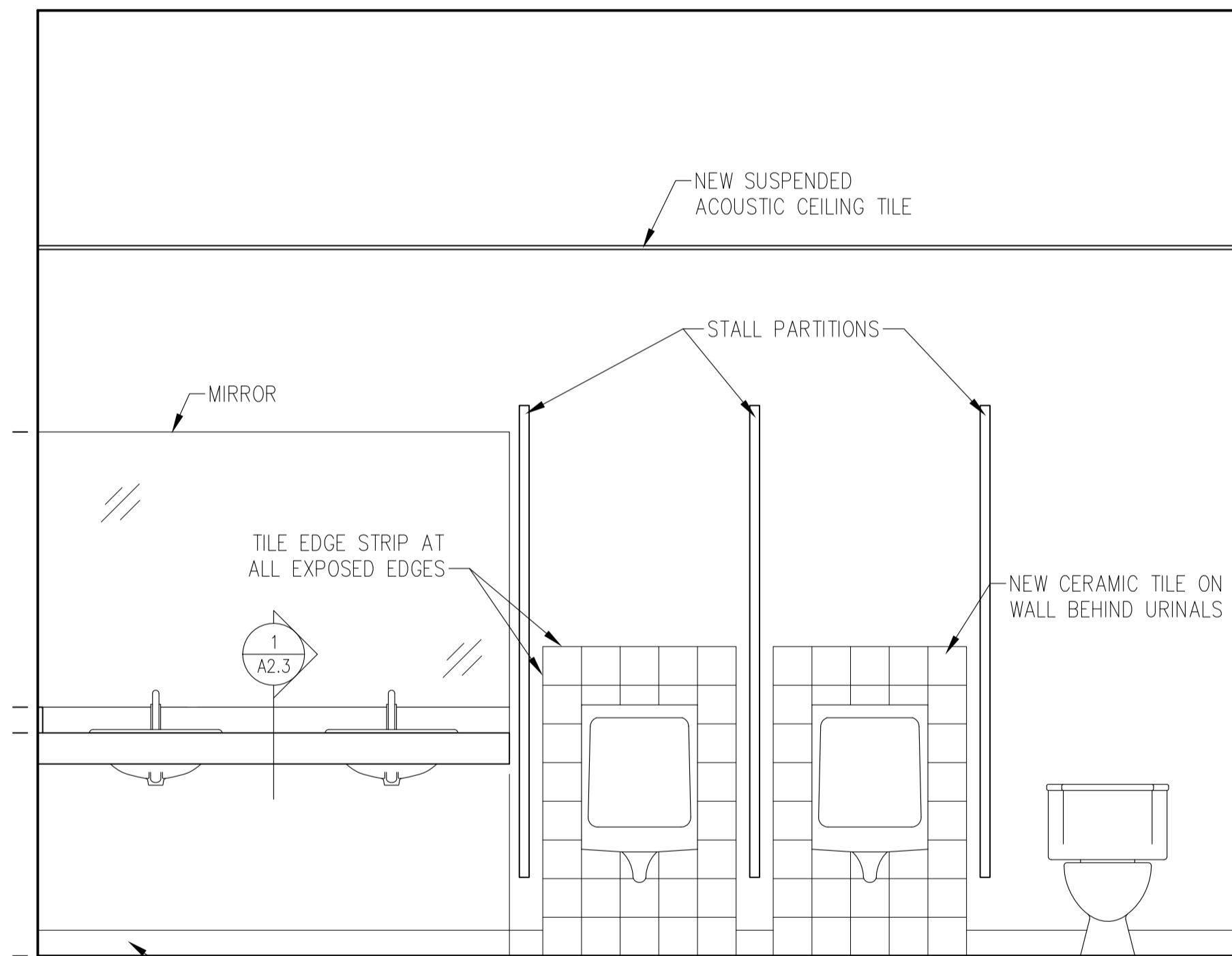




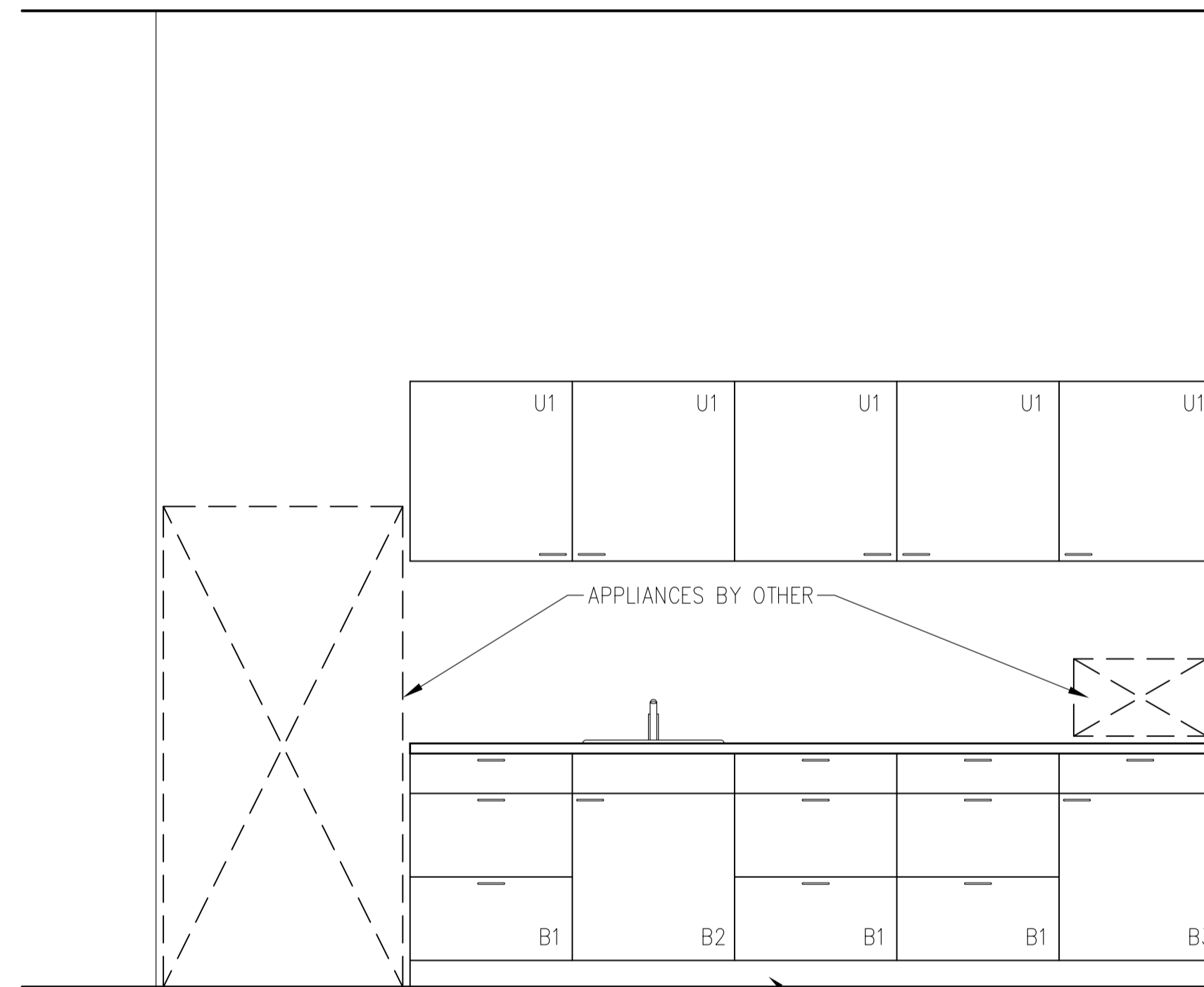
1 RM 109
A1.2 1:20



3 RM 102
A1.2 1:20



2 RM 108
A1.2 1:20



4 RM 102
A1.2 1:20



DO NOT SCALE DRAWINGS

5		
4		
3		
2		
1		
0	ISSUED FOR TENDER	2016-01-14

Revision/	Description/Description	Date/Date
Client/client		

Project title/Titre du projet
REGINA, SASKATCHEWAN

**RTM TRANSPORT
 STAFF BUILDING
 RENOVATION PACKAGE**

Approved by/Approve par

Designed by/Concept par

Drawn by/Dessiné par
 BS/RP

Project Manager/Administrateur de Projets
 WH

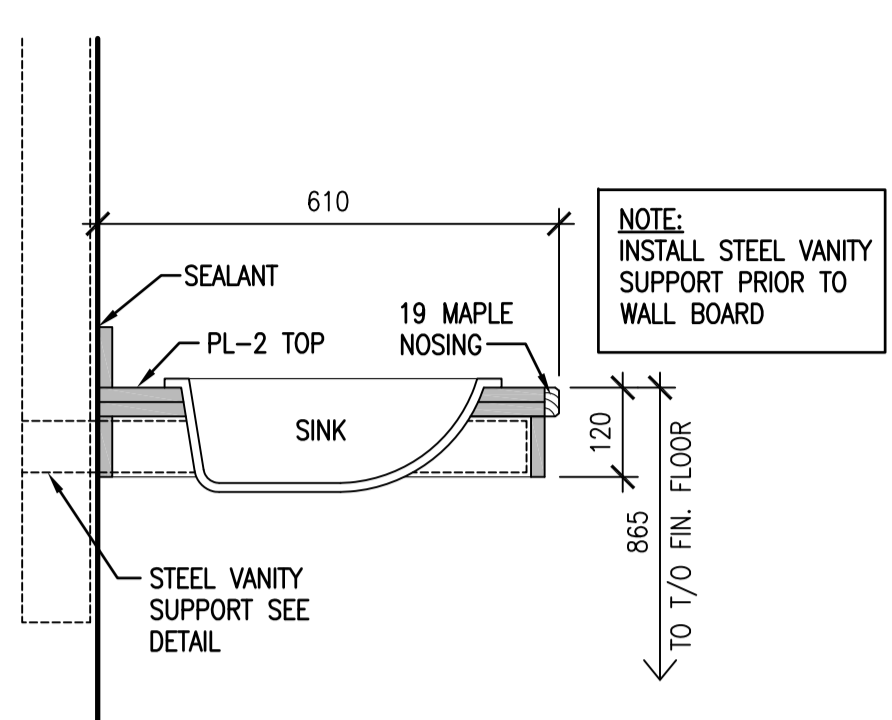
Architectural and Engineering Resources Manager/
 Ressources Architectural et de Directeur d'ingénierie

Client/client

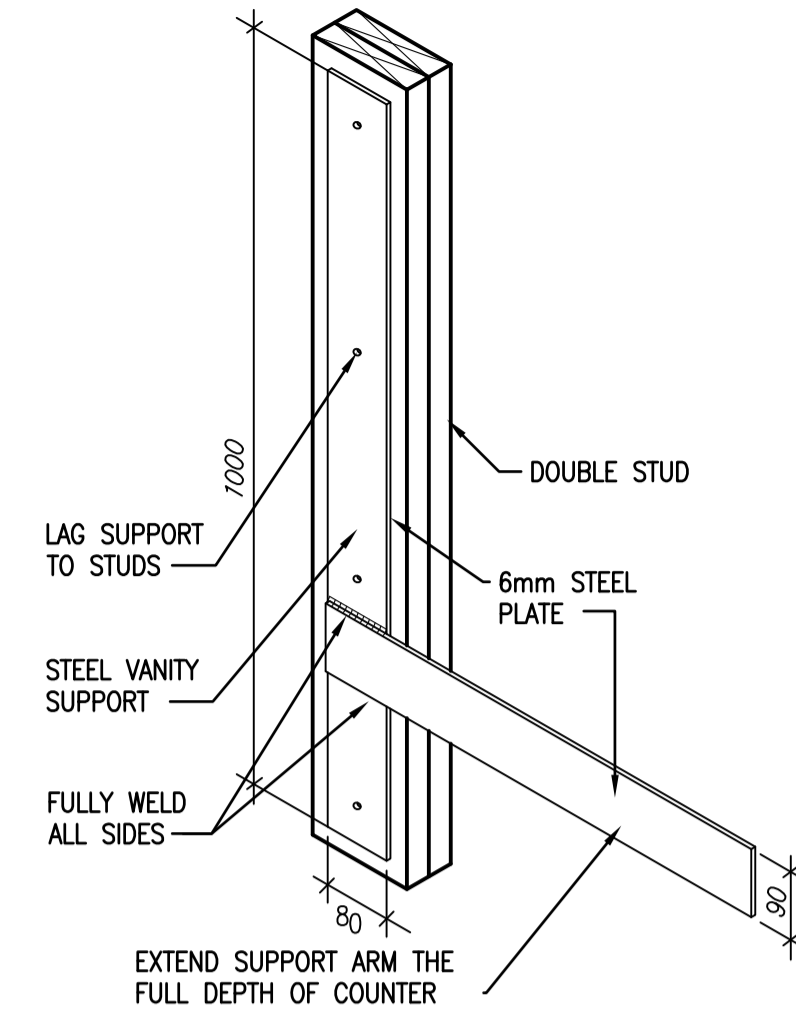
Drawing title/Titre du dessin
INTERIOR ELEVATIONS

Project No./No. du projet 25/2015	Sheet/Feuille A2.2	Revision no./ La Révision no. 0
--------------------------------------	------------------------------	--

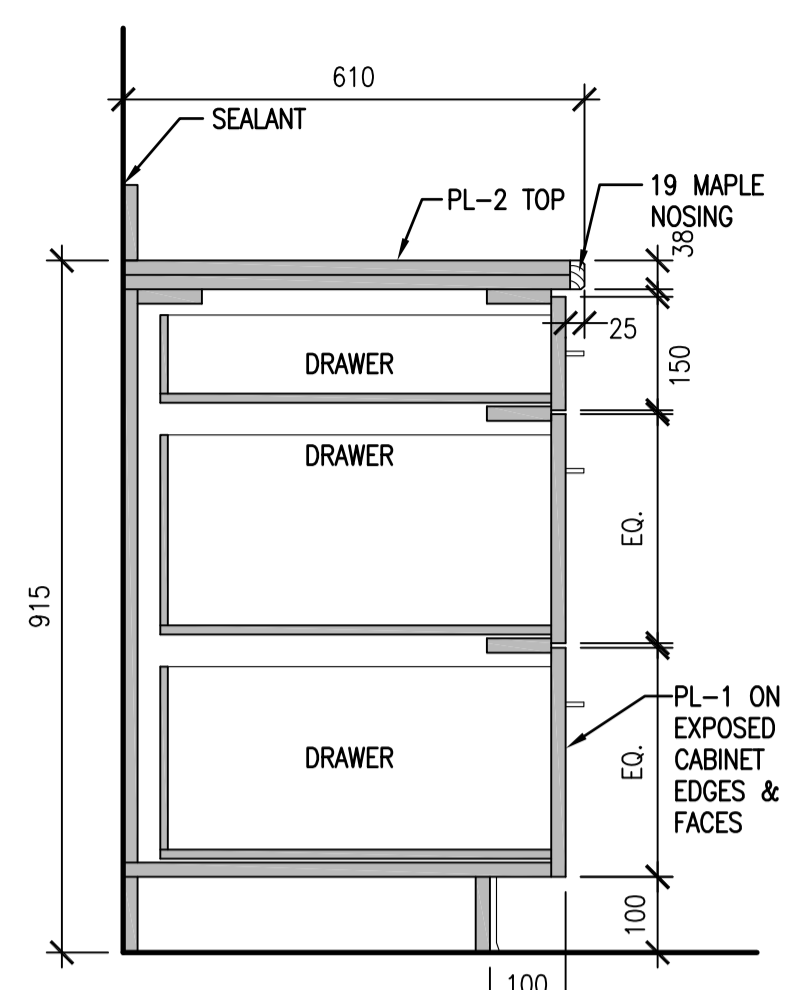




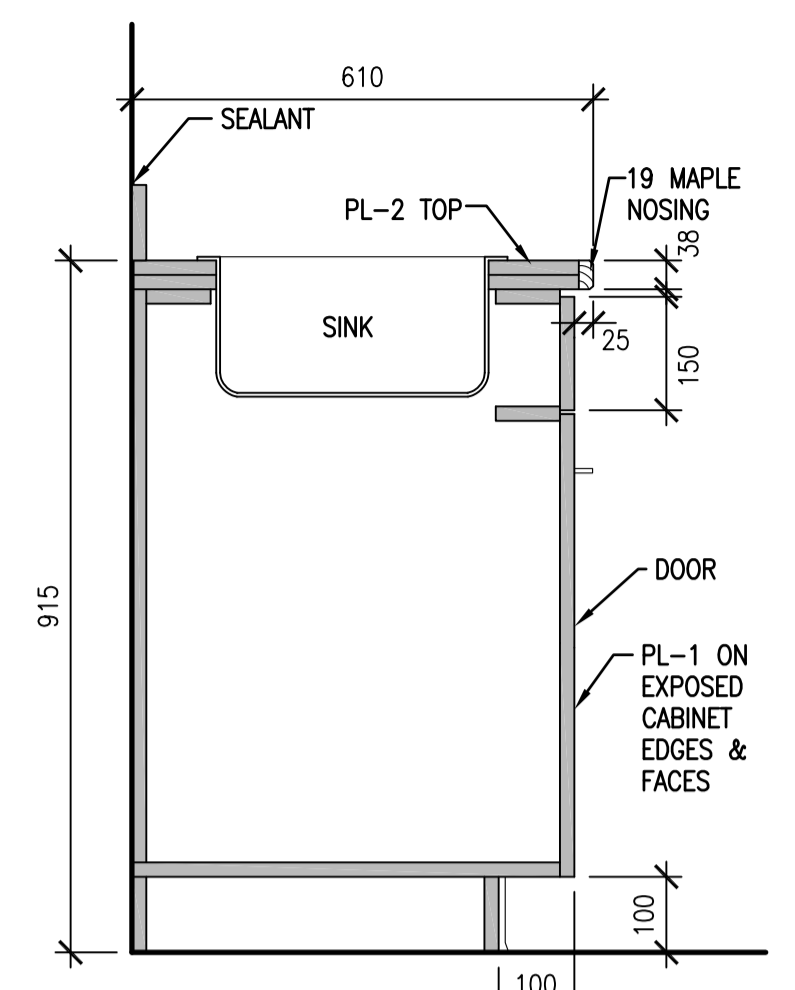
1 VANITY DETAIL
 A2.2 1:10



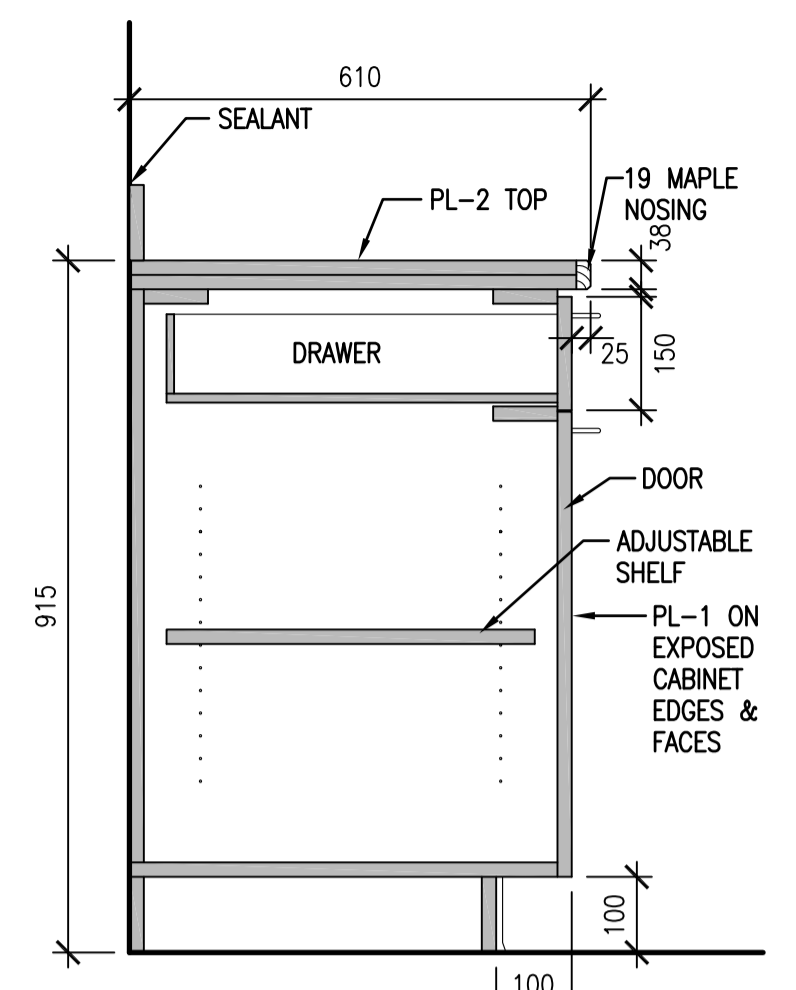
2 VANITY SUPPORT DETAIL
 A2.3 1:10



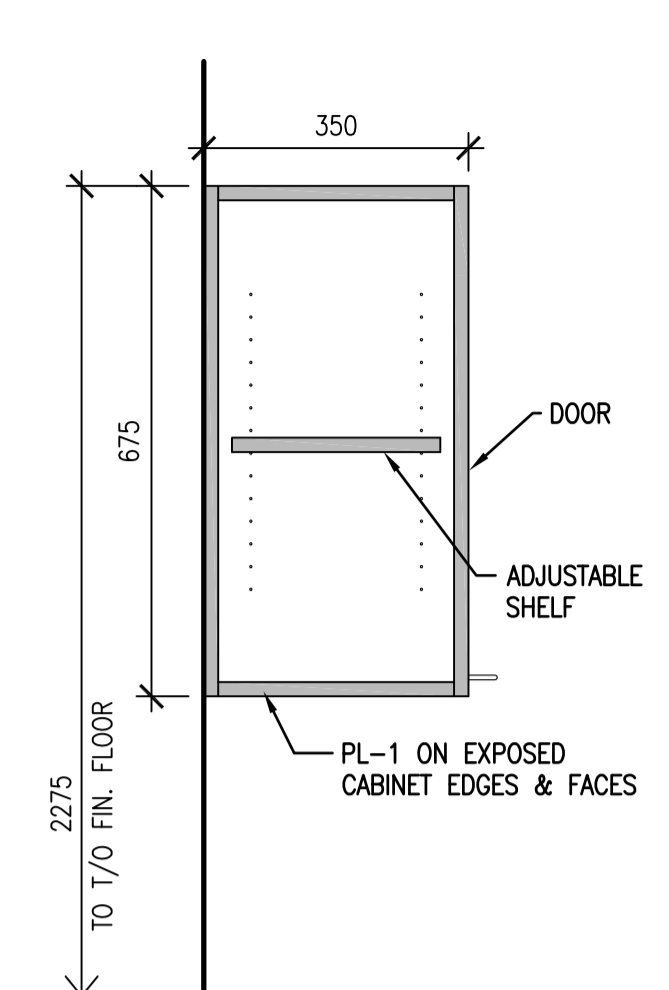
3 B1 MILLWORK DETAIL
 A2.2 1:10



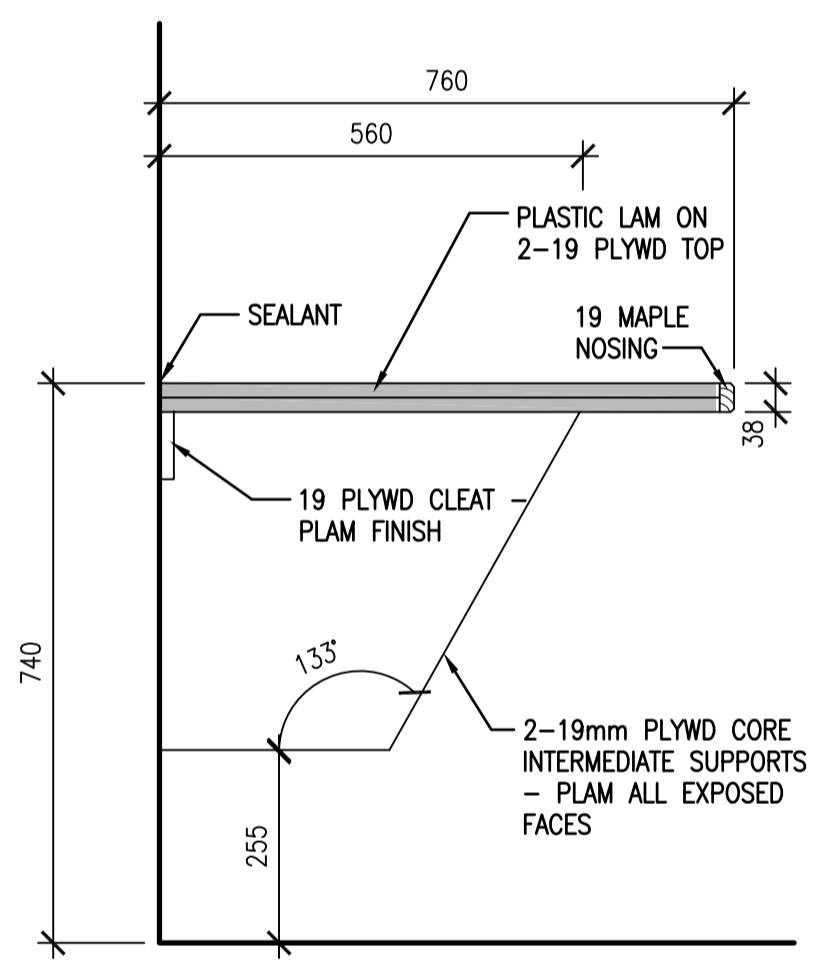
4 B2 MILLWORK DETAIL
 A2.2 1:10



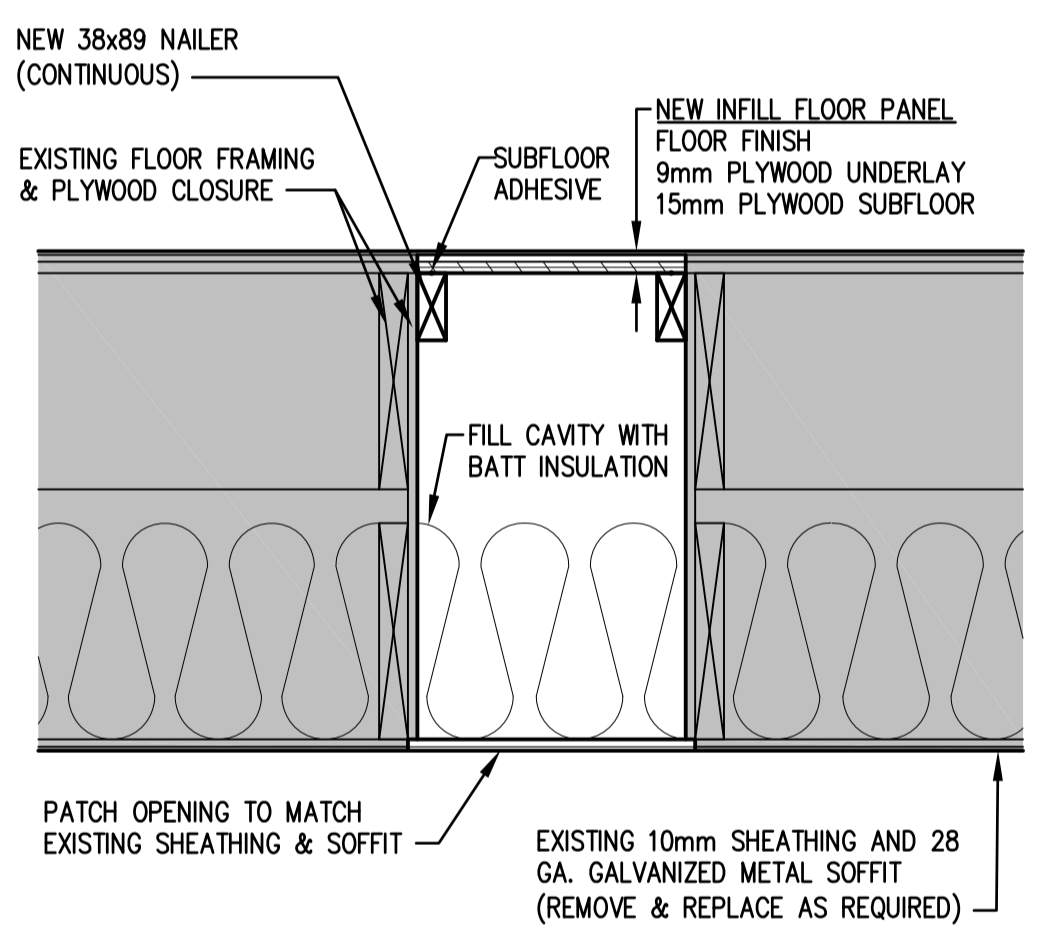
5 B3 MILLWORK DETAIL
 A2.2 1:10



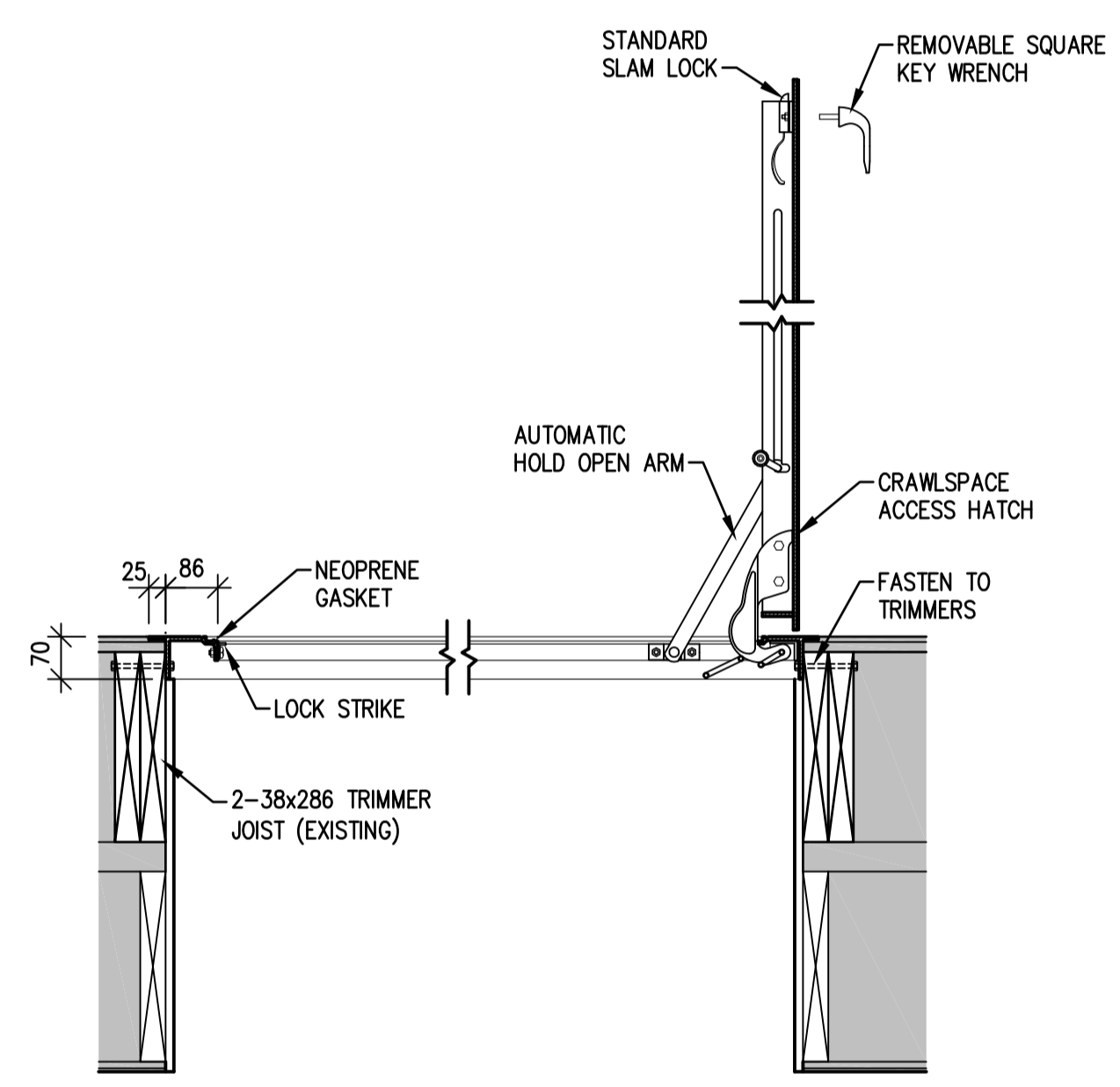
6 U1 MILLWORK DETAIL
 A2.2 1:10



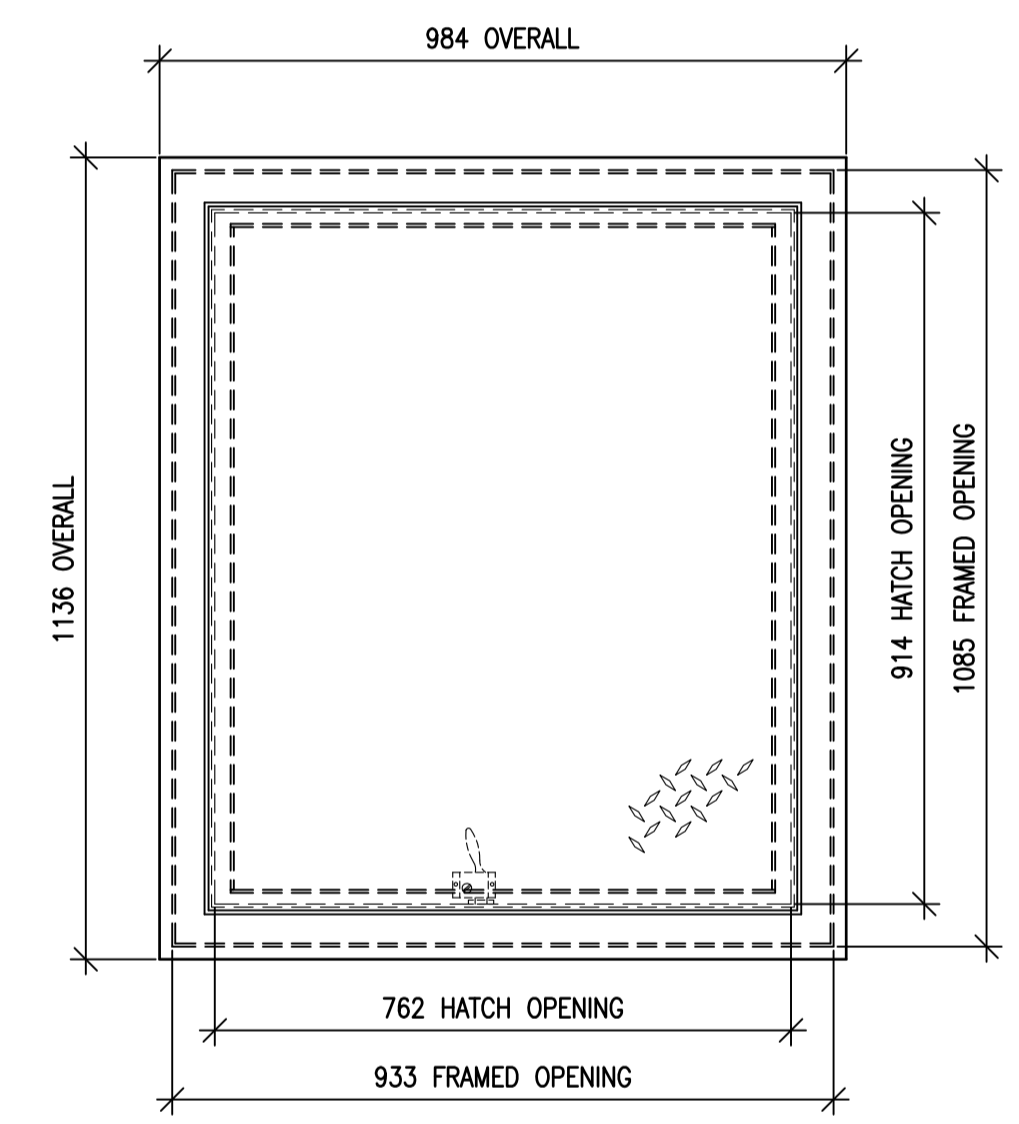
7 WALL MOUNTED WORKSPACE DETAIL
 A2.2 1:10



8 EXISTING FLOOR PATCH DETAIL
 A1.1 1:10



9 FLOOR HATCH DETAIL
 A1.2 1:10



10 FLOOR HATCH PLAN
 A2.3 1:10



DO NOT SCALE DRAWINGS

5		
4		
3		
2		
1		
0	ISSUED FOR TENDER	2016-01-14
Revision/Revisions	Description/Description	Date/Date
Client/client		

Project title/Titre du projet
REGINA, SASKATCHEWAN

**RTM TRANSPORT
 STAFF BUILDING
 RENOVATION PACKAGE**

Approved by/Approve par

Designed by/Concept par

Drawn by/Dessiné par
 BS/RP

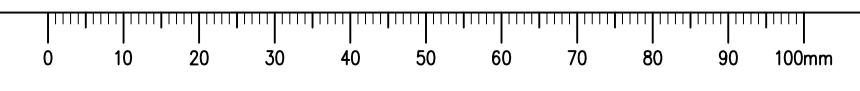
Project Manager/Administrateur de Projets
 WH

Architectural and Engineering Resources Manager/
 Ressources Architectural et de Directeur d'ingénierie

Client/client

Drawing title/Titre du dessin
**MILLWORK DETAILS
 DETAILS**

Project No./No. du projet 25/2015	Sheet/Feuille A2.3	Revision no./La Révision no. 0
--------------------------------------	-----------------------	-----------------------------------

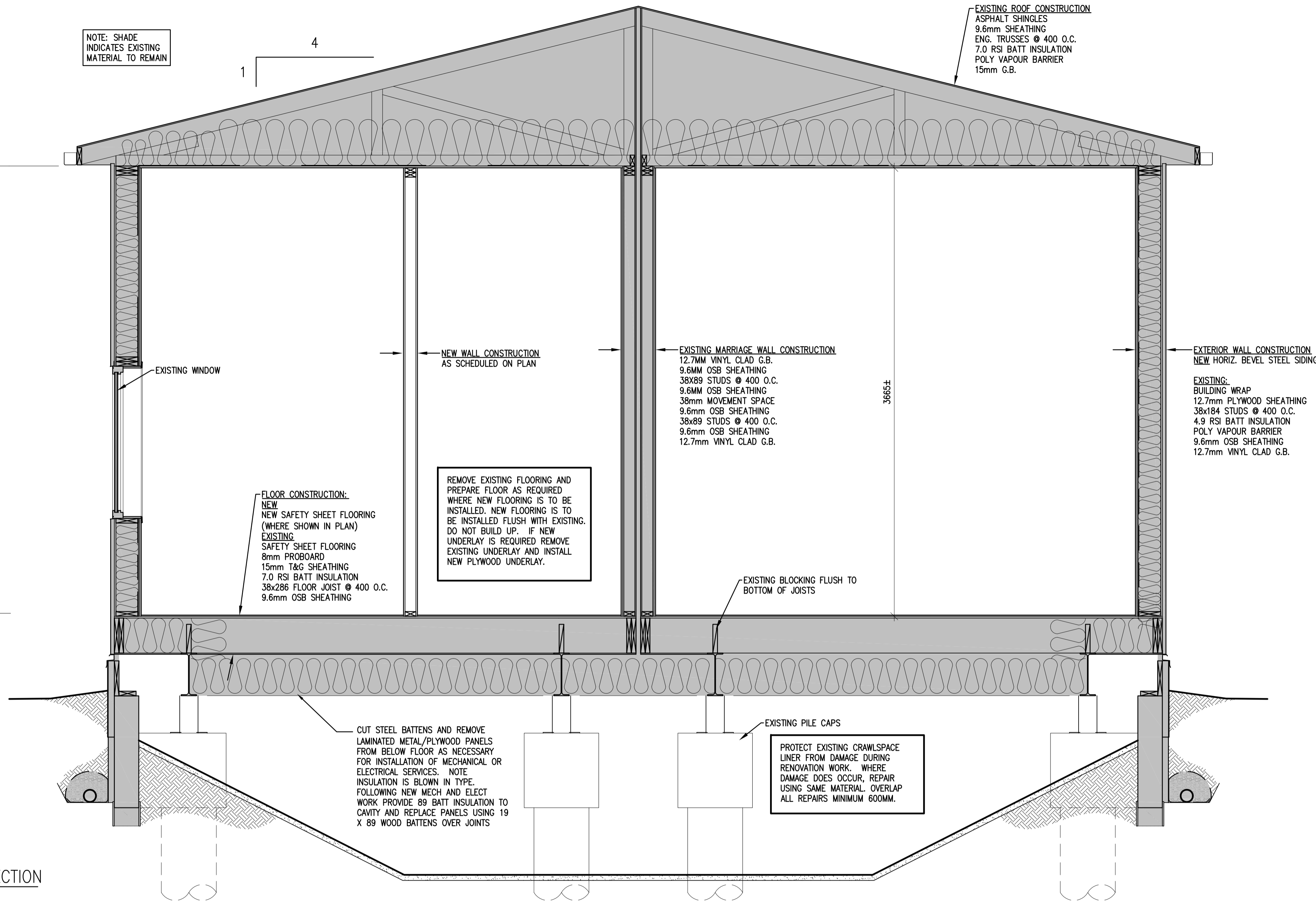


NOTE: SHADE INDICATES EXISTING MATERIAL TO REMAIN

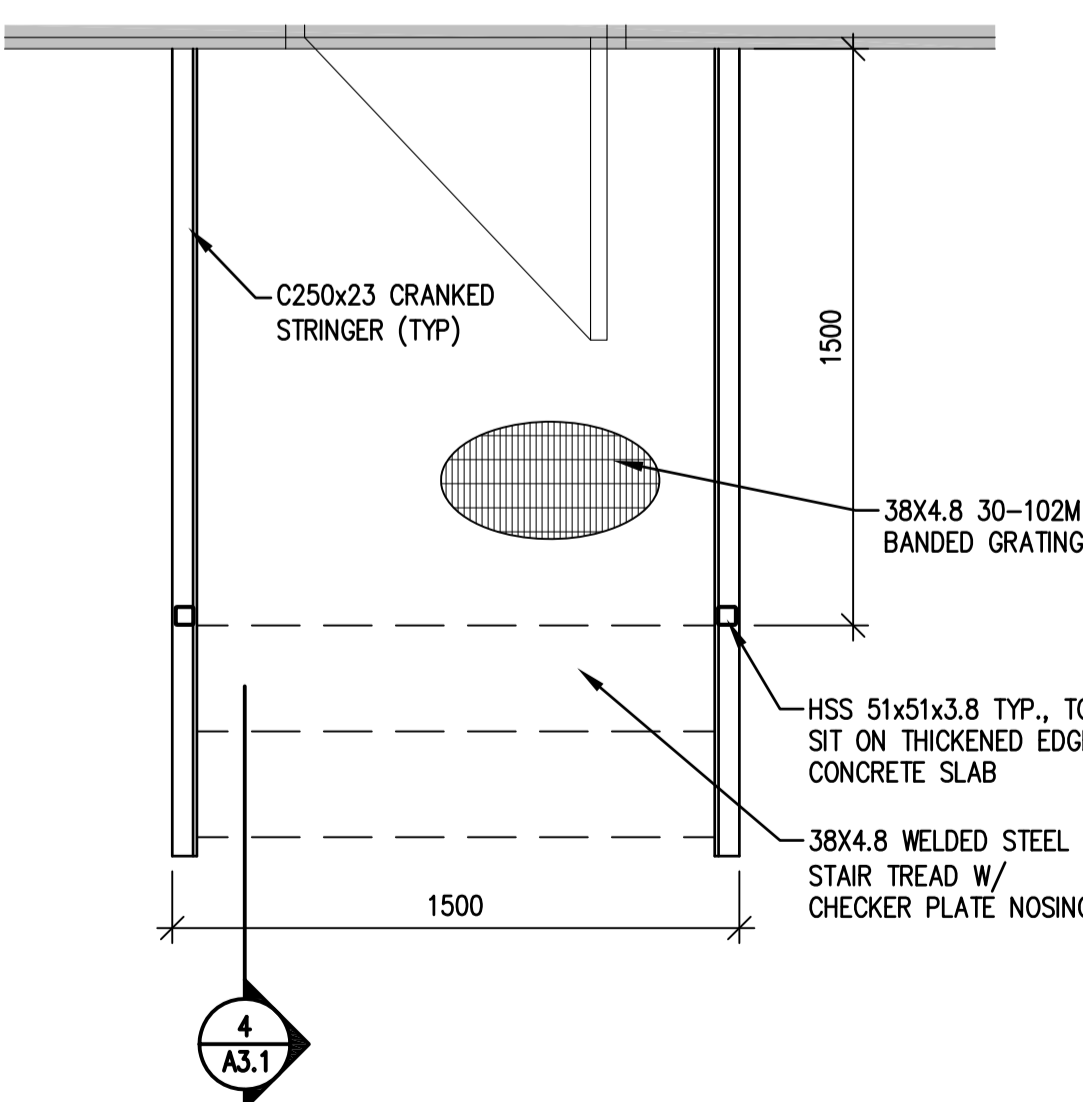
EXISTING ROOF CONSTRUCTION
 ASPHALT SHINGLES
 9.6mm SHEATHING
 ENG. TRUSSES @ 400 O.C.
 7.0 RSI BATT INSULATION
 POLY VAPOUR BARRIER
 15mm G.B.

T/O WALL
 103.697

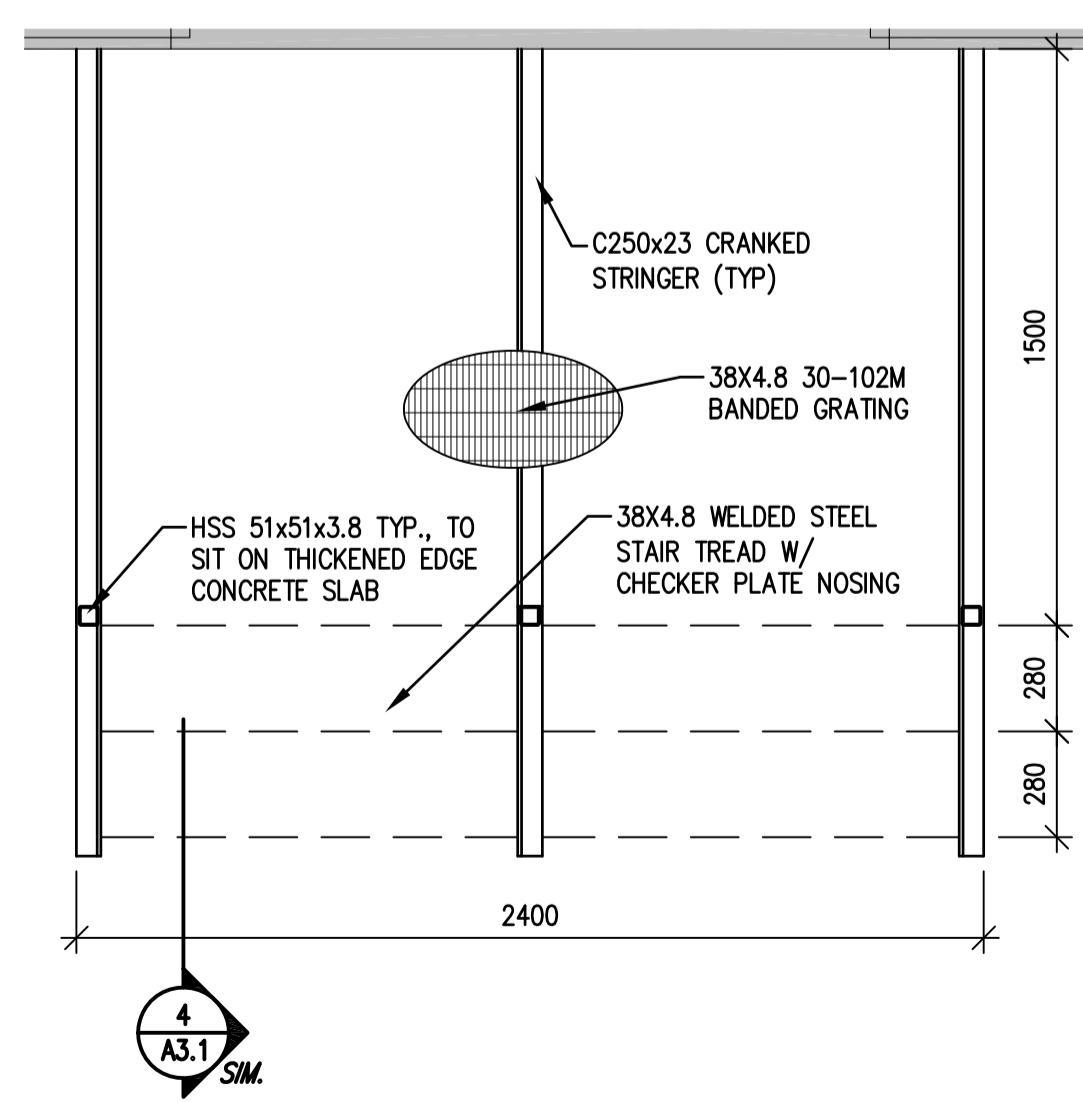
T/O FLOOR
 100.000



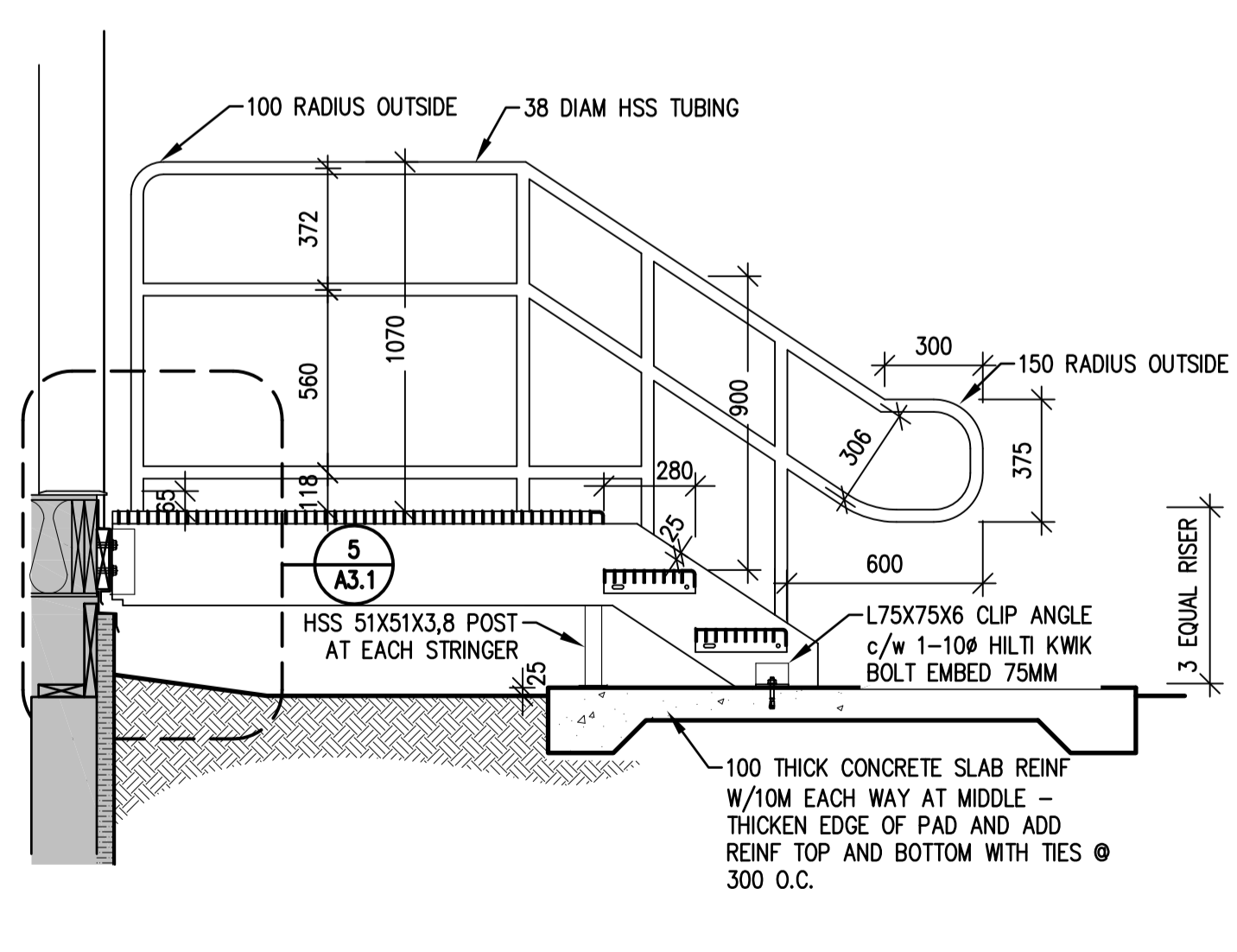
1 BUILDING SECTION
 A1.1 1:20



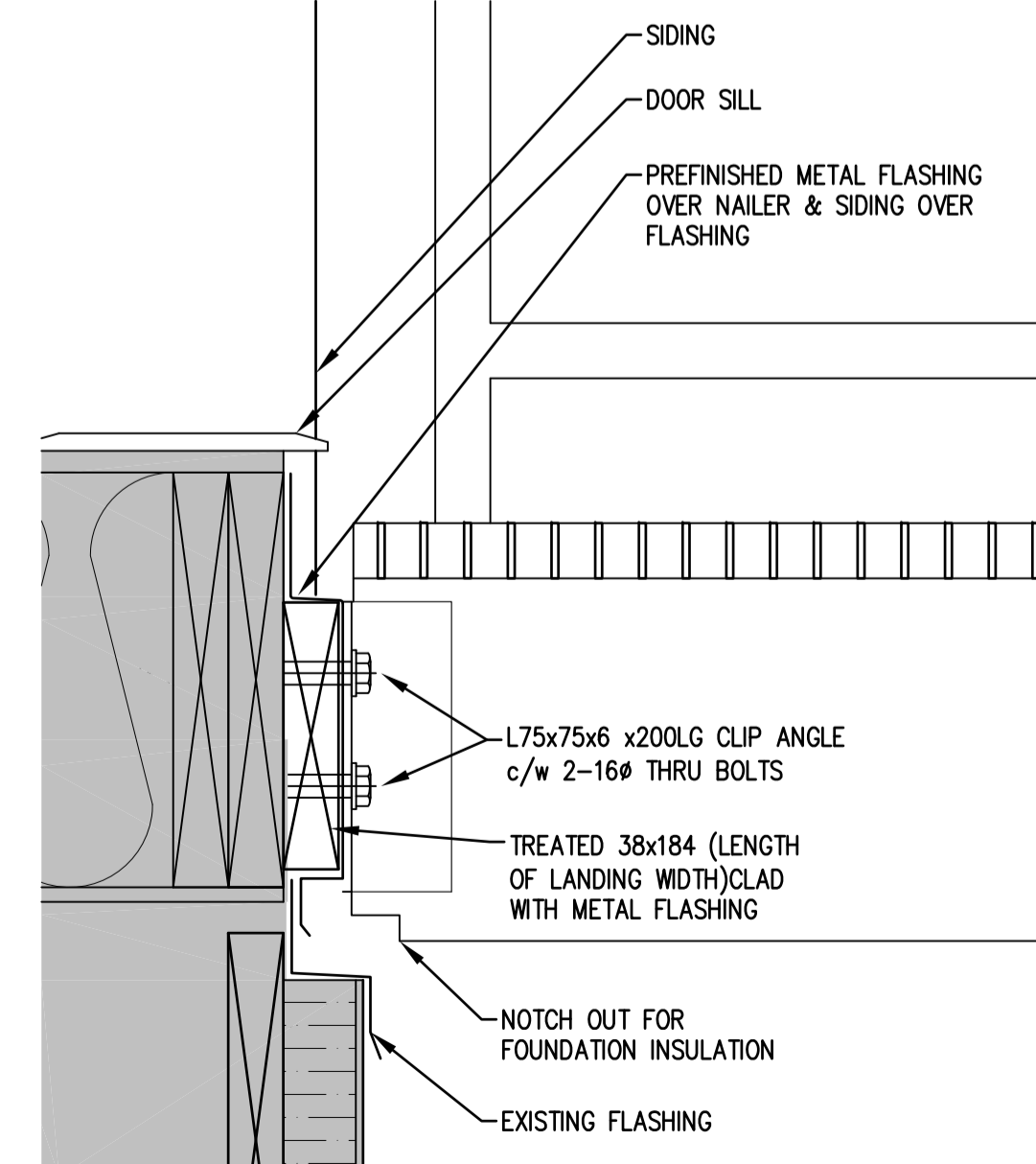
2 STRUCTURAL FRAME STAIR PLAN
 A3.1 1:20 AT DOORS 103 AND 107A



3 STRUCTURAL FRAME STAIR PLAN
 A3.1 1:20 AT DOOR 101



4 TYPICAL STAIR SECTION
 A3.1 1:20



5 TYPICAL LEDGER DETAIL
 A3.1 1:5



DO NOT SCALE DRAWINGS

5		
4		
3		
2		
1		
0	ISSUED FOR TENDER	2016-01-14
Revision/	Description/Description	Date/Date
Revision		

Project title/Titre du projet
REGINA, SASKATCHEWAN

**RTM TRANSPORT
 STAFF BUILDING
 RENOVATION PACKAGE**

Approved by/Approve par

Designed by/Concept par

Drawn by/Deessine par
 BS/RP

Project Manager/Administrateur de Projets
 WH

Architectural and Engineering Resources Manager/
 Ressources Architectural et de Directeur d'ingénierie

Client/client

Drawing title/Titre du dessin

**BUILDING SECTION
 DETAILS**

Project No./No. du projet 25/2015	Sheet/Feuille A3.1	Revision no./La Révision no. 0
---	------------------------------	--

